

**PARTS  
CATALOGUE  
CATALOGUE  
DE PIÈCES DÉTACHÉES**

**F20A'03(65P1)**

**F25A'03(65W2)**

**YAMAHA**  
**GENUINE**  
Parts & Accessories

2B65W-300F1

# FOREWORD

This Parts Catalogue is related to the parts for the model(s) in the below frame. When you are ordering replacement parts, please refer to this Parts Catalogue and quote both part numbers and part names correctly.

F20A'03(65P1), F25A'03(65W2)

1. Modifications or additions which have been made after issue of the Parts Catalogue will be announced in the Yamaha Parts News.  
It is advisable that you make necessary corrections to the Parts Catalogue according to the Yamaha Parts News.

2. Abbreviations

The Following abbreviations are used in this Parts Catalogue.

“UR” Use specified parts number.

“UN” Use as many as needed.

“AP” Alternate Parts

“LM” Local Made  
(Parts need to be ordered locally)

“O/S” Over Size

3. Parts, which are to be supplied in an assembly, are listed with a dot(.) in front of the part name as shown below.

EXAMPLE

CARBURETOR ASSY

.JET, PILOT

.NOZZLE, MAIN

4. Number of component for assembly

The numeral appearing to the right of each component part indicates the quantity of parts for each assembly unit.

EXAMPLE

PART NO.	DESCRIPTION	□	□	□	□	REMARKS
6E0-85500-70	C.D.I. MAGNETO ASSY	1				
6E0-85550-70	.ROTOR ASSY	1				
6E0-15723-00-94..	PULLY, STARTER	1				

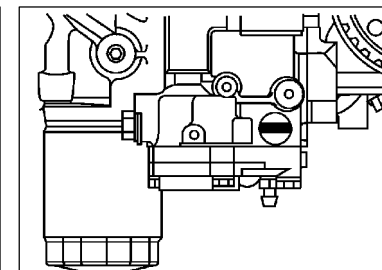
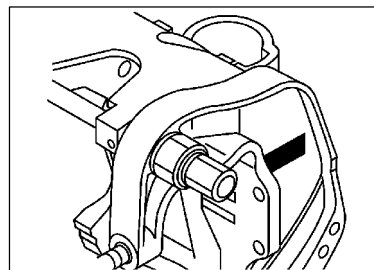
5. Quantity Column Information

NAME for Q'TY COLUMN	APPLICABLE MODEL
MH	F25AMH
E	F20AE, F25AE
ET	F20AET, F25AET

6. Applicable Starting Serial No. and Color Code

1) Engine Starting Sserial No.

F20AE S	65W : 1000001	F25AMH S/L	65W : 1000001
F20AET L	65W : 1000001	F25AE S/L	65W : 1000001
		F25AET L	65W : 1000001



2) Color Code

Color Code	Color Name	Abbreviation
004D	DARK BLUISH GRAY METALLIC 2	DBNM2

7. Note that the illustrations for reference in finding parts numbers, not to be used for assembling. When assembling, please use the applicable service manual.
8. The asterisk (\*) before a reference number indicates modification items after the first edition.

# CONTENTS

## SHEET 1/2

TOP COWLING .....	A4
CYLINDER. CRANKCASE 1 .....	A5
CRANKSHAFT. PISTON .....	A7
CYLINDER. CRANKCASE 2 .....	B1
VALVE .....	B3
INTAKE .....	B4
CARBURETOR .....	B5
OIL PUMP .....	B7
FUEL .....	C1
STARTER .....	C3
GENERATOR .....	C5
ELECTRICAL 1 .....	C7
ELECTRICAL 2 .....	D2
ELECTRICAL 3 .....	D4
STARTING MOTOR .....	D5
BOTTOM COWLING .....	D6
STEERING .....	E1
CONTROL .....	E3
REMOTE CONTROL ATTACHMENT .....	E5
BRACKET 1 .....	E6
BRACKET 2 .....	F2
BRACKET 3 .....	F4
POWER TRIM & TILT ASSY .....	F6

## INDEX

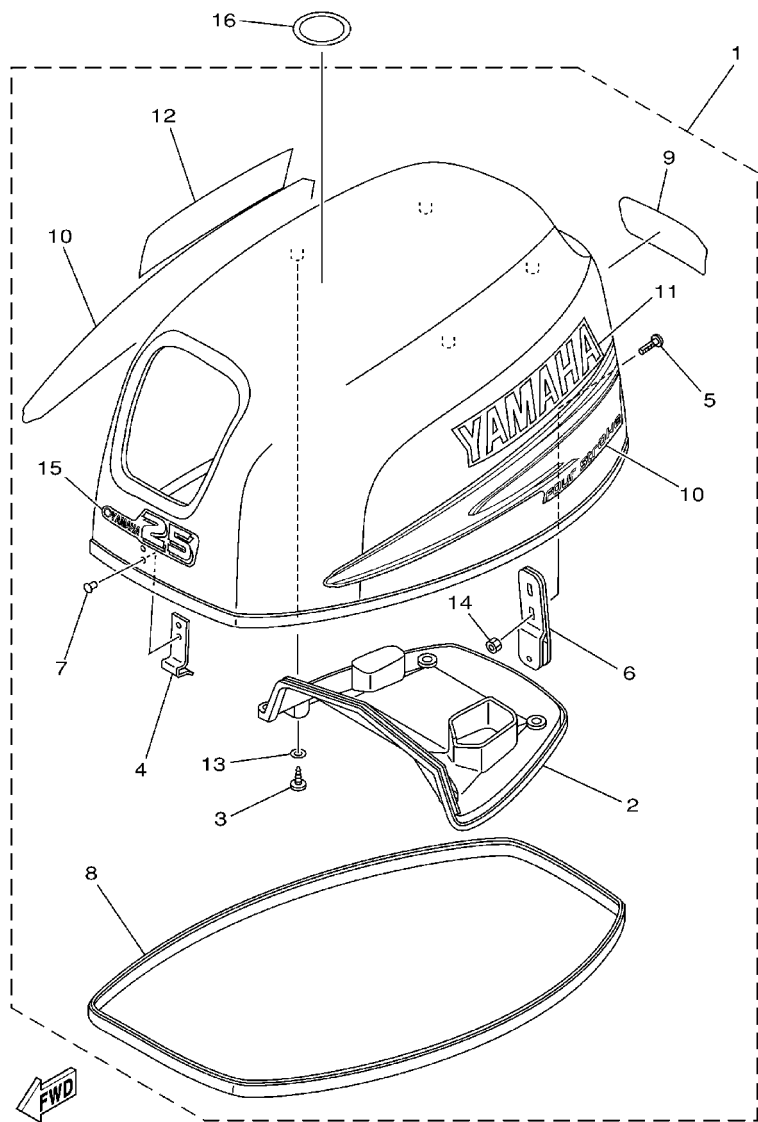
NUMERICAL INDEX .....	G1
-----------------------	----

## SHEET 2/2

POWER TRIM & TILT ASSY .....	A4*
UPPER CASING .....	A5*
OIL PAN .....	A6*
LOWER CASING. DRIVE 1 .....	A7*
LOWER CASING. DRIVE 2 .....	B3*
FUEL TANK .....	B4*
STEERING GUIDE .....	B5*
REMOTE CONTROL BOX .....	B6*
REMOTE CONTROL ASSY .....	B7*
REPAIR KIT 1 .....	C3*
REPAIR KIT 2 .....	C4*
REPAIR KIT 3 .....	C5*

## INDEX

NUMERICAL INDEX .....	G1*
-----------------------	-----



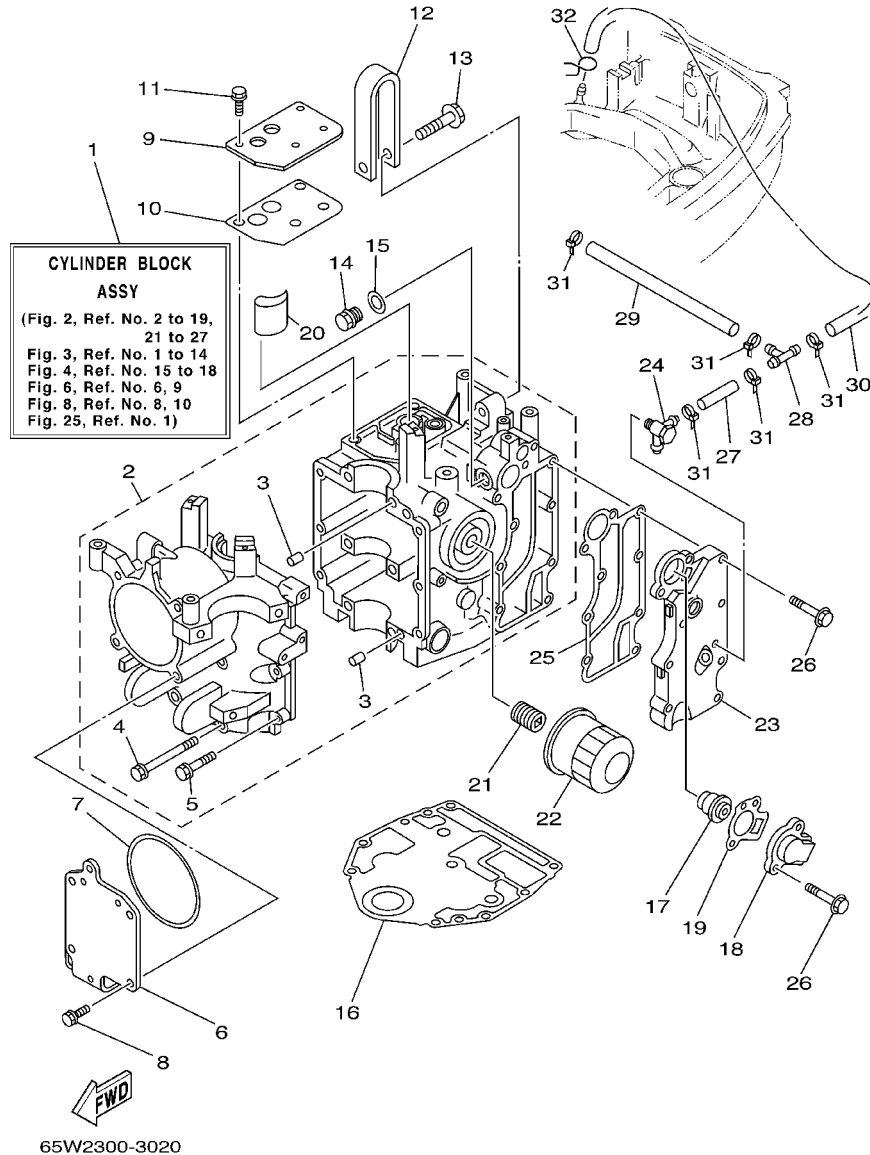
65W1010-2010

FIG. 1 TOP COWLING

CAPOT SUPERIEUR

REF. NO.	PART NO. NO. PIECES	DESCRIPTION DESCRIPTION	MH	E	ET	REMARKS REMARQUES
1	65W-42610-10-4D	TOP COWLING ASSY CAPOT (ENS.)	1	1	1	F25A
	65W-42610-40-4D	TOP COWLING ASSY CAPOT (ENS.)		1	1	F20A
2	65W-42613-00	.MOLDING, AIR DUCT .MANCHON A AIR	1	1	1	
3	97780-60520	.SCREW, TAPPING .VIS, TETE BOMBEE	4	4	4	
4	65W-42651-00	.HOOK .CROCHET	1	1	1	
5	90109-06MA4	.BOLT .BOULON	2	2	2	
6	65W-42652-00	.HOOK .CROCHET	1	1	1	
7	90266-04M04	.RIVET .RIVET	2	2	2	
8	65W-42615-01	.SEAL .JOINT	1	1	1	
9	65W-42678-20	.GRAPHIC, REAR .ADHESIF, ARRIERE	1	1	1	F25A
	65W-42678-40	.GRAPHIC, REAR .ADHESIF, ARRIERE		1	1	F20A
10	65W-W0070-20	.GRAPHIC SET .JEU DIEMBLEMES	1	1	1	
11	65W-42681-20	.MARK, COWLING .ADHESIF, CAPOT	1	1	1	
12	65W-42682-20	.MARK, COWLING .ADHESIF, CAPOT	1	1	1	
13	90202-05M38	.WASHER, PLATE .RONDELLE, PLATE	4	4	4	
14	95680-06100	.NUT, U .ECROU, U	2	2	2	
15	65W-42677-00	.GRAPHIC, FRONT .ADHESIF, AVANT	1	1	1	F25A
	65W-42677-10	.GRAPHIC, FRONT .ADHESIF, AVANT		1	1	F20A
16	67F-13434-02	LABEL, CAUTION ETIQUETTE, ATTENTION	1	1	1	

FIG. 2 CYLINDER. CRANKCASE 1 CYLINDRE. CARTER 1

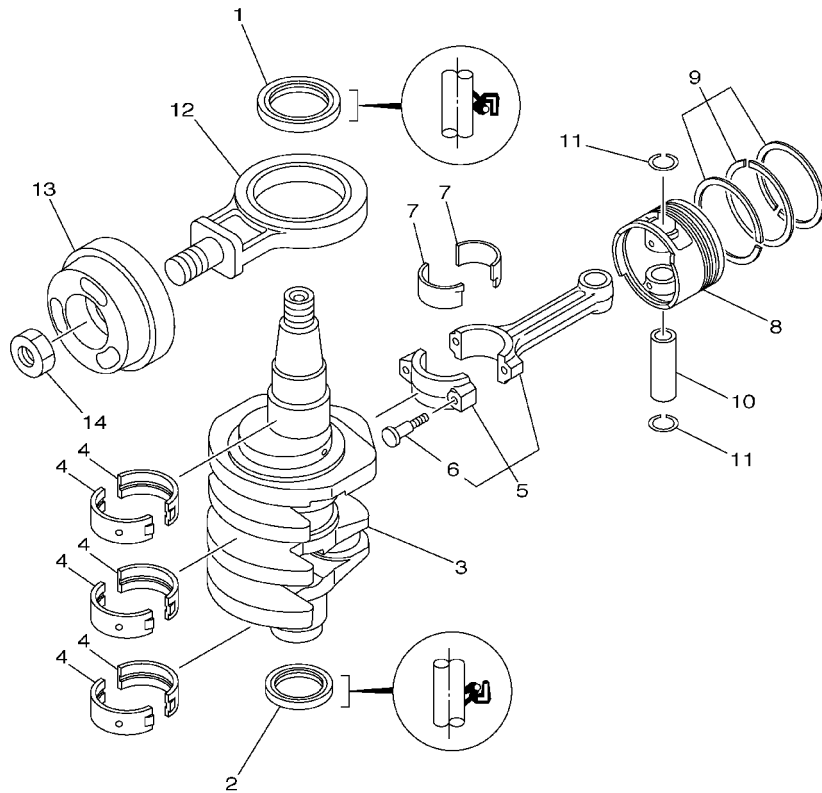


REF. NO.	PART NO. NO. PIECES	DESCRIPTION DESCRIPTION	MH	E	ET	REMARKS REMARQUES
1	65W-W009B-11-1S	CYLINDER BLOCK ASSY CYLINDRE GROUPE (ENS.)	1	1	1	
2	65W-15100-11-1S	CRANKCASE ASSY CARTER DE MOTEUR COMPLET	1	1	1	
3	99530-08012	.PIN, DOWEL .GOUJON, D'ASSEMBLAGE	2	2	2	
4	90119-08M01	.BOLT, WITH WASHER .BOULON, AVEC RONDELLE	6	6	6	
5	90119-06MA5	.BOLT, WITH WASHER .BOULON, AVEC RONDELLE	6	6	6	
6	65W-15121-00	CRANKCASE 2 CARTER DE MOTEUR	1	1	1	
7	65W-15663-00	SEAL JOINT	1	1	1	
8	65W-12228-00	BOLT BOULON	4	4	4	
9	65W-11168-01	COVER, BREATHER COUVERCLE, RENIFLARD	1	1	1	
10	65W-11169-01	GASKET, BREATHER COVER JOINT, COUVERCLE DE RENIFLARD	1	1	1	
11	65W-12228-00	BOLT BOULON	4	4	4	
12	65W-11119-00	HANGER, ENGINE ANNEAU, LEVAGE	1	1	1	
13	90105-08M87	BOLT, FLANGE BOULON	1	1	1	
14	90340-14M06	PLUG, STRAIGHT SCREW PLOT, FILETE DROIT	1	1	1	
15	90430-14115	GASKET JOINT	1	1	1	
16	65W-11351-10	GASKET, CYLINDER JOINT, D'EMBASE	1	1	1	
17	6G8-12411-02	THERMOSTAT THERMOSTAT	1	1	1	
18	6H3-12413-00-1S	COVER, THERMOSTAT COUVERCLE, THERMOSTAT	1	1	1	
19	62Y-12414-00	GASKET, COVER JOINT, COUVERCLE	1	1	1	
20	65W-13286-00	CLEANER FILTRE	1	1	1	
21	90401-20M00	BOLT, UNION BOULON, RACCORD	1	1	1	
22	5GH-13440-00	ELEMENT ASSY, OIL CLEANER ELEMENT, FILTRE A HUILE	1	1	1	
23	65W-41113-10-1S	OUTER COVER, EXHAUST COUVERCLE, ECHAPPEMENT	1	1	1	
24	62Y-11372-01	NIPPLE, HOSE RACCORD, TUYAU	1	1	1	FOR FLUSHING KIT
25	65W-41114-00	GASKET, EXHAUST OUTER COVER JOINT, COUVERCLE D'ECHAPPEMENT	1	1	1	
26	90119-06MA5	BOLT, WITH WASHER BOULON, AVEC RONDELLE	9	9	9	
27	90445-09068	HOSE (L110) DURITE (L110)	1	1	1	



FIG. 3 CRANKSHAFT. PISTON

VILEBREQUIN. PISTON

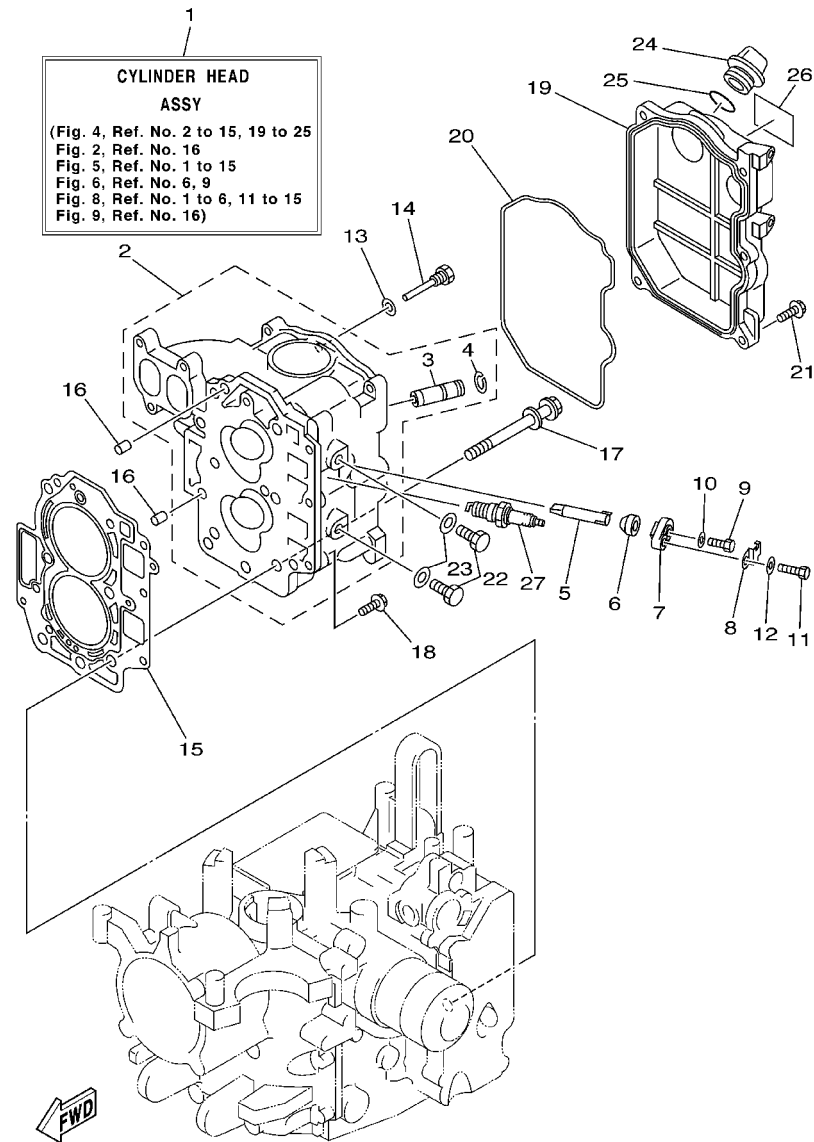


REF. NO.	PART NO. NO. PIECES	DESCRIPTION DESCRIPTION	MH	E	ET	REMARKS REMARQUES
1	93102-43M42	OIL SEAL JOINT SPY	1	1	1	
2	93102-35M47	OIL SEAL JOINT SPY	1	1	1	
3	65W-11411-01	CRANKSHAFT VILEBREQUIN COMPLET	1	1	1	
4	62Y-11416-00	PLANE BEARING, CRANKSHAFT 1 COUSSINET DE VILEBREQUIN 1	6	6	6	UR BROWN
	62Y-11416-10	PLANE BEARING, CRANKSHAFT 1 COUSSINET DE VILEBREQUIN 1	6	6	6	UR BLACK
	62Y-11416-20	PLANE BEARING, CRANKSHAFT 1 COUSSINET DE VILEBREQUIN 1	6	6	6	UR BLUE
5	67C-11650-00	CONNECTING ROD ASSY BIELLE COMPLETE	2	2	2	
6	62Y-11654-00	.BOLT, CONNECTING ROD .BOULON, BIELLE	2	2	2	
7	62Y-11656-00	PLANE BEARING, CONNECTING ROD ROULEMENT DE BIELLE	4	4	4	UR BROWN
	62Y-11656-10	PLANE BEARING, CONNECTING ROD ROULEMENT DE BIELLE	4	4	4	UR BLACK
	62Y-11656-20	PLANE BEARING, CONNECTING ROD ROULEMENT DE BIELLE	4	4	4	UR BLUE
8	65W-11631-00-96	PISTON (STD) PISTON (STD)	2	2	2	
	65W-11635-00	PISTON (0.25MM O/S) PISTON (0.25MM O/S)	2	2	2	AP
	65W-11636-00	PISTON (0.50MM O/S) PISTON (0.50MM O/S)	2	2	2	AP
9	67C-11603-00	PISTON RING SET (STD) JEU DE SEGMENTS (STD)	2	2	2	
	67C-11604-00	PISTON RING SET (0.25MM O/S) JUE DE SEGMENTS (0.25MM O/S)	2	2	2	AP
	67C-11605-00	PISTON RING SET (0.50MM O/S) JEU DE SEGMENTS (0.50MM O/S)	2	2	2	AP
10	62Y-11633-00	PIN, PISTON AXE, PISTON	2	2	2	
11	93450-17129	CIRCLIP CIRCLIP	4	4	4	
12	65W-11665-00	CON-ROD ASSY, BALANCE BIELLE COMPLETE, BALANCE	1	1	1	
13	65W-11642-11	PISTON, BALANCE PISTON, BALANCE	1	1	1	
14	90170-20137	NUT ECROU	1	1	1	



65W0010-0031

FIG. 4 CYLINDER. CRANKCASE 2 CYLINDRE. CARTER 2



65W2300-3040

REF. NO.	PART NO. NO. PIECES	DESCRIPTION DESCRIPTION	MH	E	ET	REMARKS REMARQUES
1	65W-W009A-14-1S	CYLINDER HEAD ASSY CULASSE (ENS.)	1	1	1	
2	65W-11111-02-1S	HEAD, CYLINDER 1 CULASSE	1	1	1	FOR STD
	65W-11111-12-1S	HEAD, CYLINDER 1 CULASSE	1	1	1	*ECM-"F25A ONLY"
3	62Y-11133-10	.GUIDE, INTAKE VALVE .GUIDE, SOUP D'ADM	4	4	4	
4	93450-09M01	.CIRCLIP .CIRCLIP	4	4	4	
5	62Y-11325-00	ANODE ANODE	2	2	2	
6	66M-11328-00	GROMMET, ANODE PASSE-FIL	2	2	2	
7	66M-11327-00-94	COVER, ANODE COUVERCLE	2	2	2	
8	66M-12535-00	PLATE PLAQUE	2	2	2	
9	97095-05012	BOLT BOULON	2	2	2	
10	92995-05600	WASHER RONDELLE	2	2	2	
11	97095-06020	BOLT BOULON	2	2	2	
12	92995-06600	WASHER RONDELLE	2	2	2	
13	90430-06014	GASKET JOINT	1	1	1	
14	90109-06M65	BOLT BOULON	1	1	1	
15	65W-11181-20	GASKET, CYLINDER HEAD 1 JOINT, DE CULASSE 1	1	1	1	
16	99530-08012	PIN, DOWEL GOUJON, D'ASSEMBLAGE	2	2	2	
17	90119-09M00	BOLT, WITH WASHER BOULON, AVEC RONDELLE	6	6	6	
18	90119-06MA3	BOLT, WITH WASHER BOULON, AVEC RONDELLE	3	3	3	
19	65W-11191-00-1S	COVER, CYLINDER HEAD 1 COUVERCLE, CULASSE 1	1	1	1	
20	65W-11356-00	SEAL, CYLINDER 2 JOINT, SPY CYLINDRE	1	1	1	
21	97595-06520	BOLT, WITH WASHER VIS HEXAGONAL AVC RONDELLE	5	5	5	
22	97095-08014	BOLT BOULON	2	2	2	*ECM-"F25A ONLY"
23	90430-08143	GASKET JOINT	2	2	2	*ECM-"F25A ONLY"
24	6G8-15363-00	PLUG, OIL PLOT, HUILE	1	1	1	

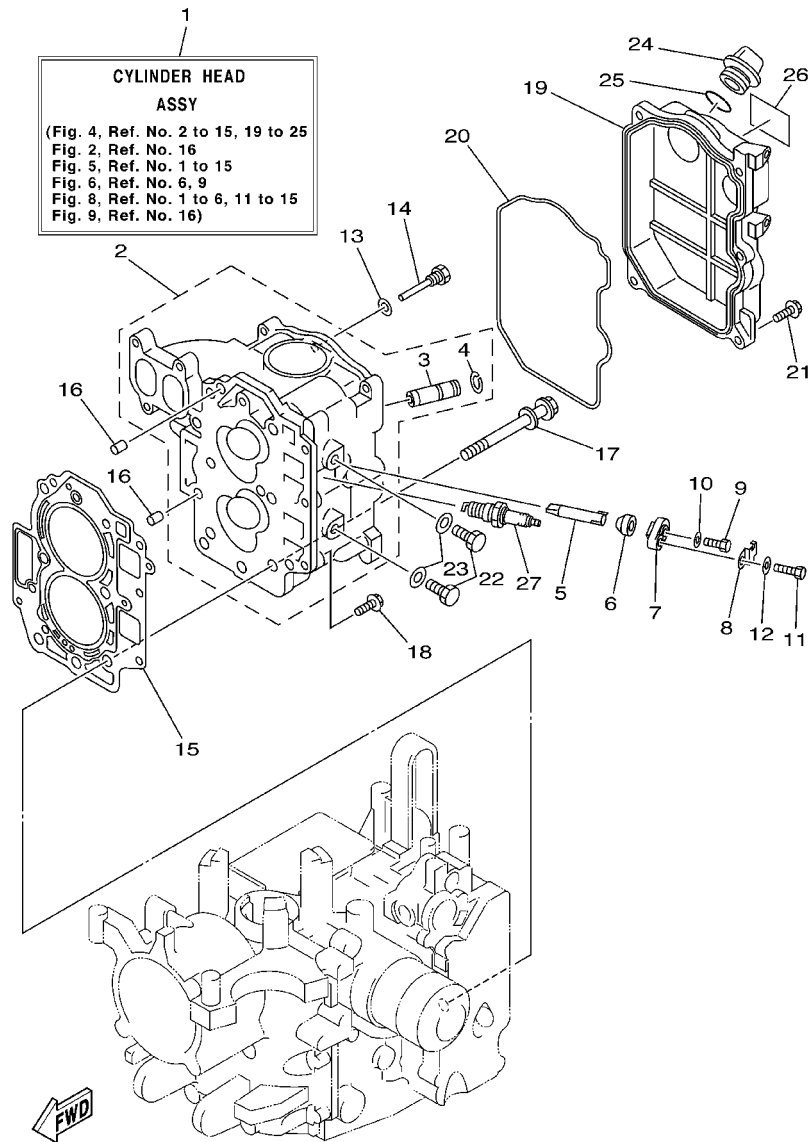
\*ECM: FOR EMISSION CONTROL MODEL.

\*ECM: POUR MODELE CONTROLE D' EMISSIONS.

**B1**



FIG. 4 CYLINDER. CRANKCASE 2 CYLINDRE. CARTER 2



REF. NO.	PART NO. NO. PIECES	DESCRIPTION DESCRIPTION	MH	E	ET	REMARKS REMARQUES
25	93210-24M79	O-RING JOINT TORIQUE	1	1	1	
26	62Y-12138-60	MARK, CAUTION MAKER	1	1	1	
27	94701-00375	PLUG, SPARK (NGK DPR6EA-9) BOUGIE D'ALLUMAGE (NGK DPR6EA-9)	2	2	2	
-----						
-----						
-----						
-----						
-----						
-----						
-----						
-----						
-----						
-----						

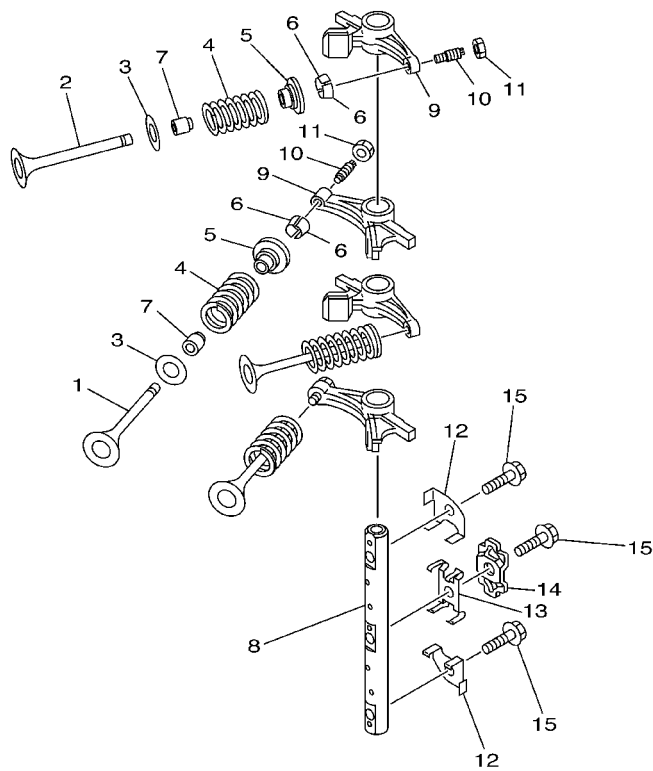


FIG. 5 VALVE

SOUPAPE

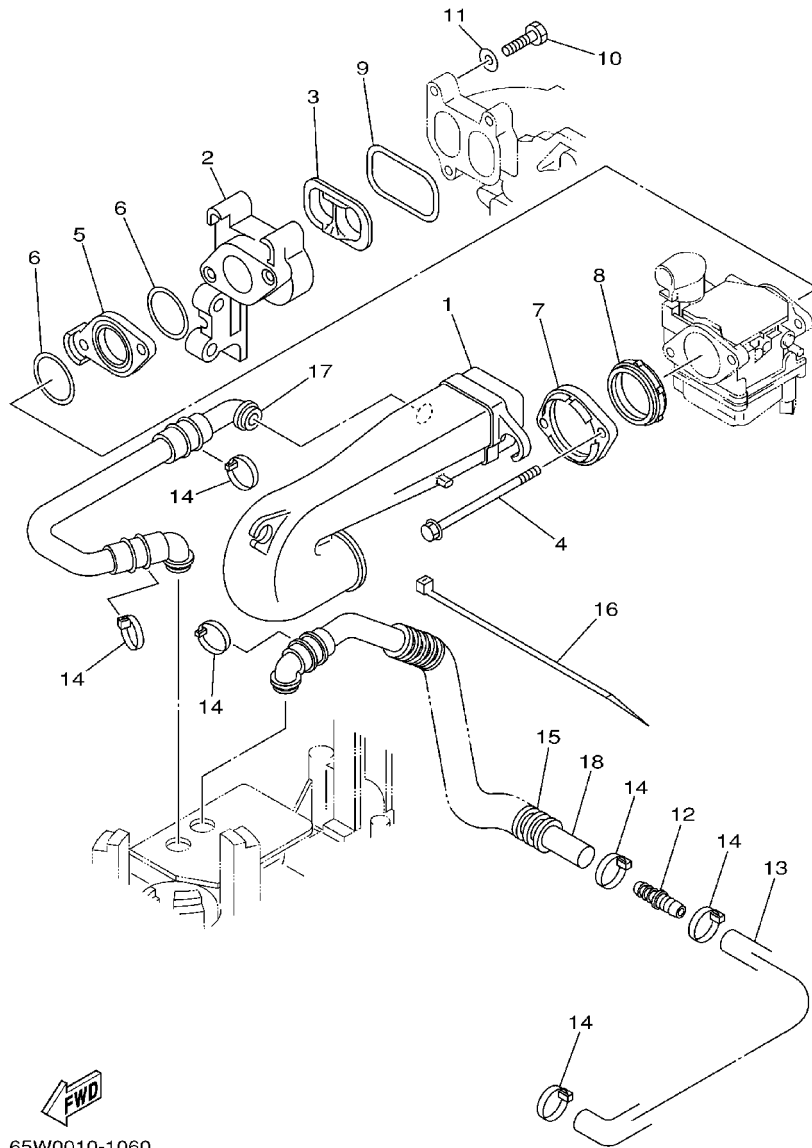
REF. NO.	PART NO. NO. PIECES	DESCRIPTION DESCRIPTION	MH	E	ET	REMARKS REMARQUES
1	67C-12111-00	VALVE, INTAKE SOUPAPE, ADMISSION	2	2	2	
2	62Y-12121-00	VALVE, EXHAUST SOUPAPE, ECHAPPEMENT	2	2	2	
3	62Y-12116-00	SEAT, VALVE SPRING SIEGE, RESSORT DE SOUPAPE	4	4	4	
4	51Y-12114-00	SPRING, VALVE OUTER RESSORT DE SOUPAPE, EXTERNE	4	4	4	
5	30X-12117-00	RETAINER, VALVE SPRING BUTEE DE RESSORT DE SOUPAPE	4	4	4	
6	30X-12118-00	COTTER, VALVE FRAISE, SOUPAPE	8	8	8	
7	51Y-12119-00	SEAL, VALVE STEM JOINT, QUEUE DE SOUPAPE	4	4	4	
8	65W-12146-00	SHAFT, ROCKER AXE, CULBUTEUR	1	1	1	
9	65W-12151-00	ARM, VALVE ROCKER CULBUTEUR	4	4	4	
10	62Y-12159-00	SCREW, VALVE ADJUSTING VIS, REGLAGE DE SOUPAPE	4	4	4	
11	62Y-12158-00	NUT, LOCK CONTRE-ECROU	4	4	4	
12	62Y-12238-00	PLATE, BOLT STOPPER PLAQUE, BUTEE DE BOULON	2	2	2	
13	62Y-12216-00	SPRING RESSORT	1	1	1	
14	62Y-12231-00	GUIDE, STOPPER 1 GUIDE, BUTEE 1	1	1	1	
15	90109-08M63	BOLT BOULON	3	3	3	



65W1010-2050

FIG. 6 INTAKE

ADMISSION



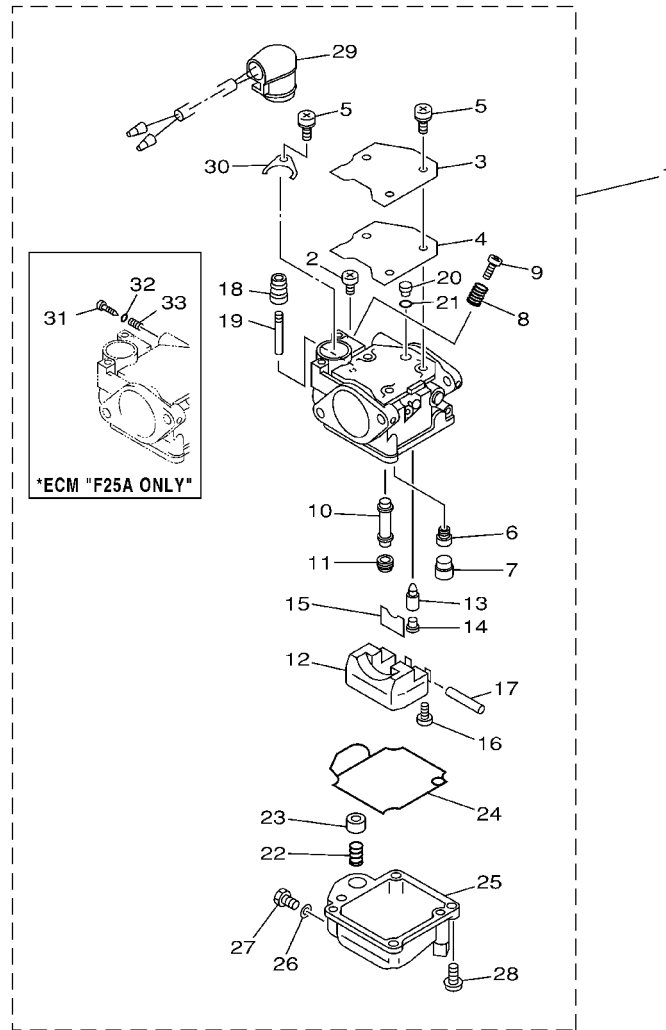
REF. NO.	PART NO. NO. PIECES	DESCRIPTION DESCRIPTION	MH	E	ET	REMARKS REMARQUES
1	65W-14440-00	SILENCER ASSY, INTAKE SIENCIEUX D'ADMISSION	1	1	1	
2	65W-13640-00	MANIFOLD TUBULURE	1	1	1	
3	65W-13323-00	INSERT PIECE RAPPORTEE	1	1	1	
4	65W-14496-00	BOLT BOULON	2	2	2	
5	65W-14271-00	INSULATOR ISOLATEUR	1	1	1	
6	65W-14198-00	GASKET JOINT	2	2	2	
7	65W-14262-00	FLANGE COLLERETTE	1	1	1	
8	65W-14457-10	SEAL JOINT	1	1	1	
9	65W-13645-00	GASKET, MANIFOLD 1 JOINT, TUBULURE 1	1	1	1	
10	97095-06025	BOLT BOULON	3	3	3	
11	92995-06600	WASHER RONDELLE	3	3	3	
12	65W-24377-00	PIPE, JOINT 3 DURITE RACCORDEMENT 3	1	1	1	
13	65W-15397-10	HOSE DURITE	1	1	1	
14	90465-13M36	CLAMP BRIDE	6	6	6	
15	90446-24M54	HOSE DURITE	1	1	1	
16	90465-11M52	CLAMP BRIDE	1	1	1	
17	65W-15370-00	BREATHING ASSY RESPIRADERO	1	1	1	
18	65W-15370-10	BREATHING ASSY RESPIRADERO	1	1	1	



65W0010-1060

FIG. 7 CARBURETOR

CARBURATEUR



REF. NO.	PART NO. NO. PIECES	DESCRIPTION DESCRIPTION	MH	E	ET	REMARKS REMARQUES
1	65W-14901-00	CARBURETOR ASSY 1 CARBURATEUR 1 COMPLET		1	1	FOR STD
	65W-14901-10	CARBURETOR ASSY 1 CARBURATEUR 1 COMPLET	1			FOR STD
	65W-14901-31	CARBURETOR ASSY 1 CARBURATEUR 1 COMPLET	1	1	1	*ECM-"F25A ONLY"
2	98580-04006	.SCREW, PAN HEAD .VIS	1	1	1	
3	65W-14572-00	.PLATE .PLAQUE	1	1	1	
4	65W-14126-00	.GASKET .JOINT	1	1	1	FOR STD
	65W-14126-10	.GASKET .JOINT	1	1	1	*ECM-"F25A ONLY"
5	97803-04010	.SCREW, PAN HEAD .VIS, CRUCIFORME	4	4	4	
6	676-14948-07	.JET (#50) .GICLEUR (#50)	1	1	1	FOR STD
	65W-14948-07	.JET (#50) .GICLEUR (#50)	1	1	1	*ECM-"F25A ONLY"
7	679-14966-00	.RUBBER CAP .CAOUTCHOUC CASQUILLO	1	1	1	
8	90501-10326	.SPRING, COMPRESSION .RESSORT, COMPRESSION	1	1	1	
9	63V-14523-00	.SCREW, STOP .VIS, BUTEE	1	1	1	
10	65W-14947-00	.JET, NEEDLE .GICLEUR DE STARTER	1	1	1	FOR STD
	65W-14947-20	.JET, NEEDLE .GICLEUR DE STARTER	1	1	1	*ECM-"F25A ONLY"
11	65W-14943-29	.JET, MAIN (#112) .GICLEUR, PRINCIPAL (#112)	1	1	1	FOR STD
	65W-14943-28	.JET, MAIN (#105) .GICLEUR, PRINCIPAL (#105)	1	1	1	*ECM-"F25A ONLY"
12	63V-14985-00	.FLOAT .FLOTTEUR	1	1	1	
13	6G1-14546-00	.VALVE, NEEDLE .POINTEAU	1	1	1	
14	676-14186-00	.PIN, FLOAT .AXE, FLOTTEUR	1	1	1	
15	663-14159-00	.CLIP .JONC	1	1	1	
16	98580-04008	.SCREW, PAN HEAD .VIS	1	1	1	
17	6H4-14548-00	.PIN, FLOAT ARM .AXE, BRAS DE FLOTTEUR	1	1	1	
18	65W-14373-00	.COVER, PLUNGER CAP .COUVERCLE DE PLONGEUR	1	1	1	
19	65W-14379-00	.ROD, STARTER .TRINGLE, STARTER	1	1	1	

\*ECM: FOR EMISSION CONTROL MODEL.  
\*ECM: POUR MODELE CONTROLE D' EMISSIONS.

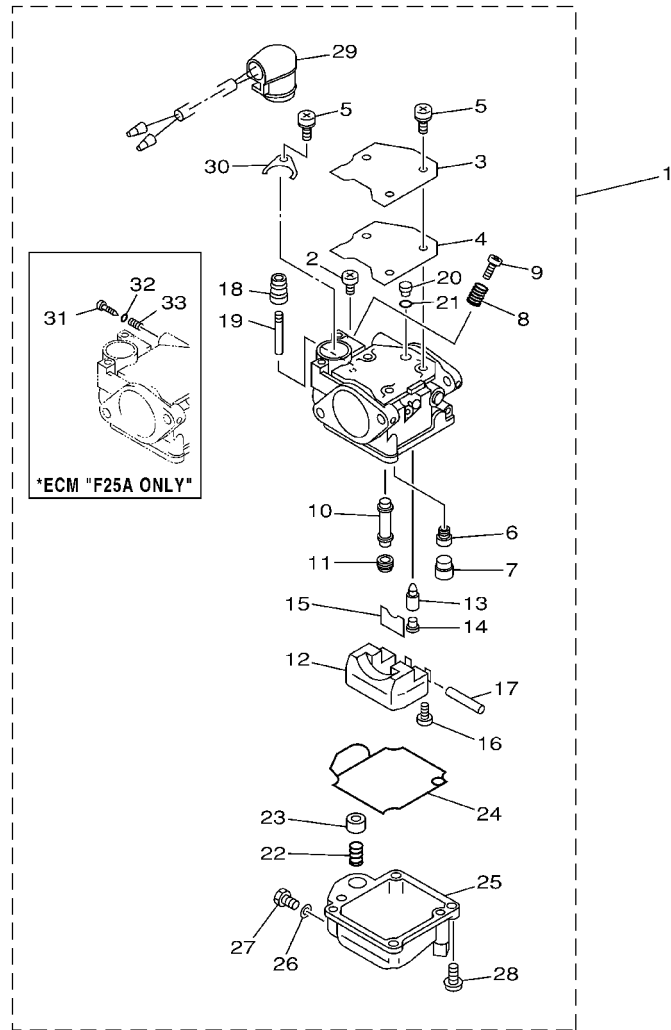


65W0300-0070

**B5**

FIG. 7 CARBURETOR

CARBURATEUR



REF. NO.	PART NO. NO. PIECES	DESCRIPTION DESCRIPTION	MH	E	ET	REMARKS REMARQUES
20	65W-1414F-00	.JET, PILOT (#52) .GICLEUR, RALENTI (#52)	1	1	1	FOR STD
21	65W-14147-00	.O-RING .JOINT TORIQUE	1	1	1	FOR STD
22	65W-14335-00	.SPRING, PLUNGER .RESSORT, PLONGEUR	1	1	1	
23	65W-14371-00	.PLUNGER, STARTER .PLONGEUR, STARTER	1	1	1	
24	65W-14384-00	.GASKET, FLOAT CHAMBER .JOINT, CUVE DE FLOTTEUR	1	1	1	
25	65W-14980-00	.BODY, FLOAT CHAMBER .CORPS, CUVE DE FLOTTEUR	1	1	1	FOR STD
	65W-14980-20	.BODY, FLOAT CHAMBER .CORPS, CUVE DE FLOTTEUR	1			FOR STD
	65W-14980-20	.BODY, FLOAT CHAMBER .CORPS, CUVE DE FLOTTEUR	1	1	1	*ECM-"F25A ONLY"
26	65W-14398-00	.GASKET .JOINT	1	1	1	
27	65W-14992-00	.SCREW, DRAIN .BOUCHON, PURGE	1	1	1	
28	97980-04114	.SCREW, WITH WASHER .VIS, AVEC RONDELLE	4	4	4	
29	65W-14380-00	.PRIME STARTER ASSY .DEMARREUR D'AMARCAGE ENS.		1	1	FOR STD
	65W-14380-20	.PRIME STARTER ASSY .DEMARREUR D'AMARCAGE ENS.	1			FOR STD
	65W-14380-20	.PRIME STARTER ASSY .DEMARREUR D'AMARCAGE ENS.	1	1	1	*ECM-"F25A ONLY"
30	65W-14346-00	.PLATE .PLAQUE	1	1	1	
31	65W-14923-10	.SCREW, PILOT .VIS, RALENTI	1	1	1	*ECM-"F25A ONLY"
32	67C-14397-00	.O-RING .JOINT TORIQUE	1	1	1	*ECM-"F25A ONLY"
33	67C-14555-00	.SPRING .RESSORT	1	1	1	*ECM-"F25A ONLY"

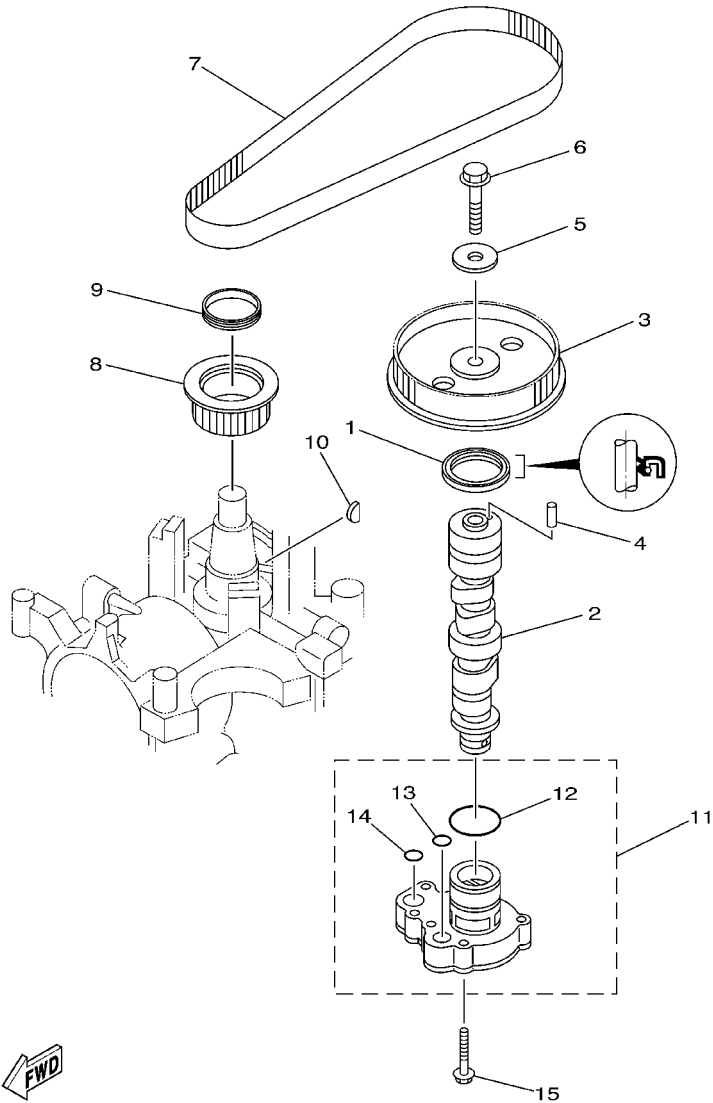
\*ECM: FOR EMISSION CONTROL MODEL.  
\*ECM: POUR MODELE CONTROLE D'EMISSIONS.



65W0300-0070

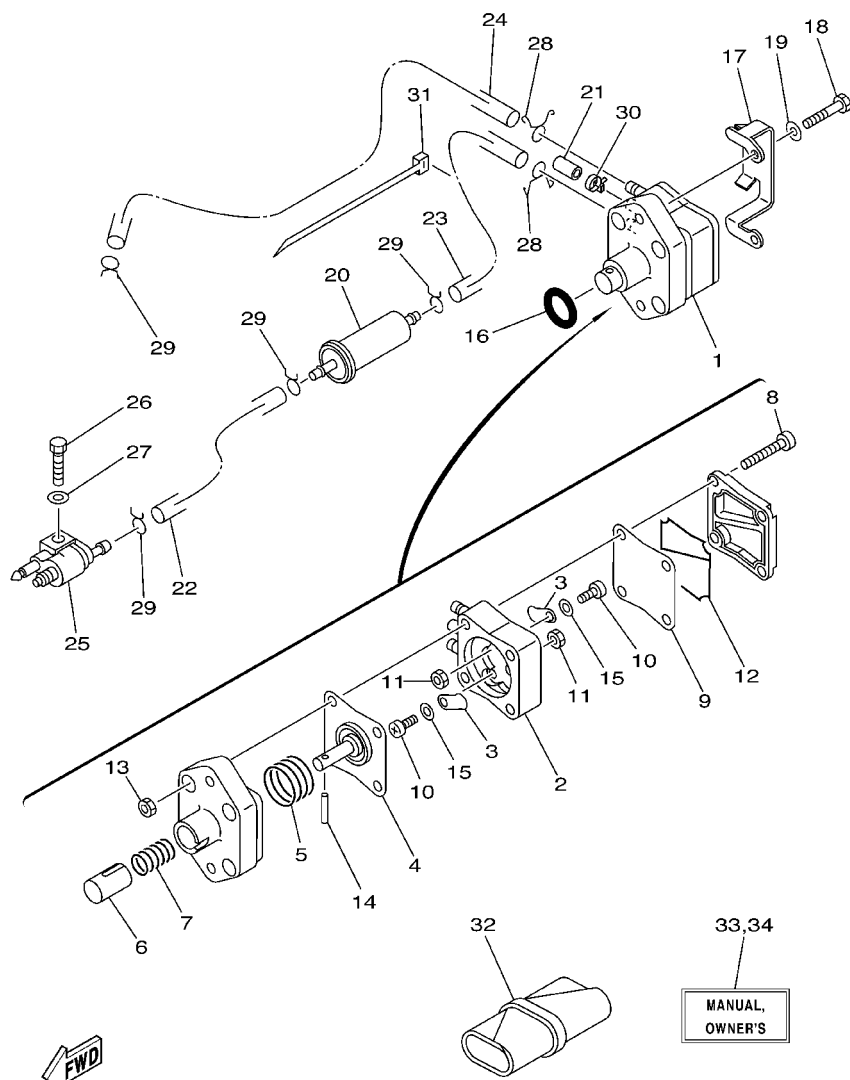
FIG. 8 OIL PUMP

POMPE A HUILE



REF. NO.	PART NO. NO. PIECES	DESCRIPTION DESCRIPTION	MH	E	ET	REMARKS REMARQUES
1	93102-37M40	OIL SEAL JOINT SPY	1	1	1	COMPONENT OF CYL. HEAD ASSY
2	65W-12171-00	CAMSHAFT 1 ARBRE A CAMES 1		1	1	
	65W-12170-10	CAMSHAFT ASSY 1 ENS ARBRE A CAMES 1	1			
3	65W-11537-01	GEAR, DRIVEN PIGNON SECONDAIRE	1	1	1	
4	93605-14143	PIN, DOWEL AXE	1	1	1	
5	90201-10M06	WASHER, PLATE RONDELLE, PLATE	1	1	1	
6	95895-10040	BOLT, FLANGE BOULON	1	1	1	
7	65W-46241-00	V-BELT COURROIE TRAPEZOIDALE	1	1	1	
8	65W-11536-10	GEAR, DRIVE ENGRENAGE, MENANT	1	1	1	
9	65W-11476-00	SPRING RESSORT	1	1	1	
10	90280-04M06	KEY, WOODRUFF CLAVETTE, DEMI-LUNE	1	1	1	
11	65W-13300-00	OIL PUMP ASSY POMPE A HUILE COMPLET	1	1	1	
12	93210-33MH2	.O-RING JOINT TORIQUE	1	1	1	
13	93210-12MG9	.O-RING JOINT TORIQUE	1	1	1	
14	93210-14515	.O-RING JOINT TORIQUE	1	1	1	
15	90119-06MA6	BOLT, WITH WASHER BOULON, AVEC RONDELLE	4	4	4	

  
65W1010-2080



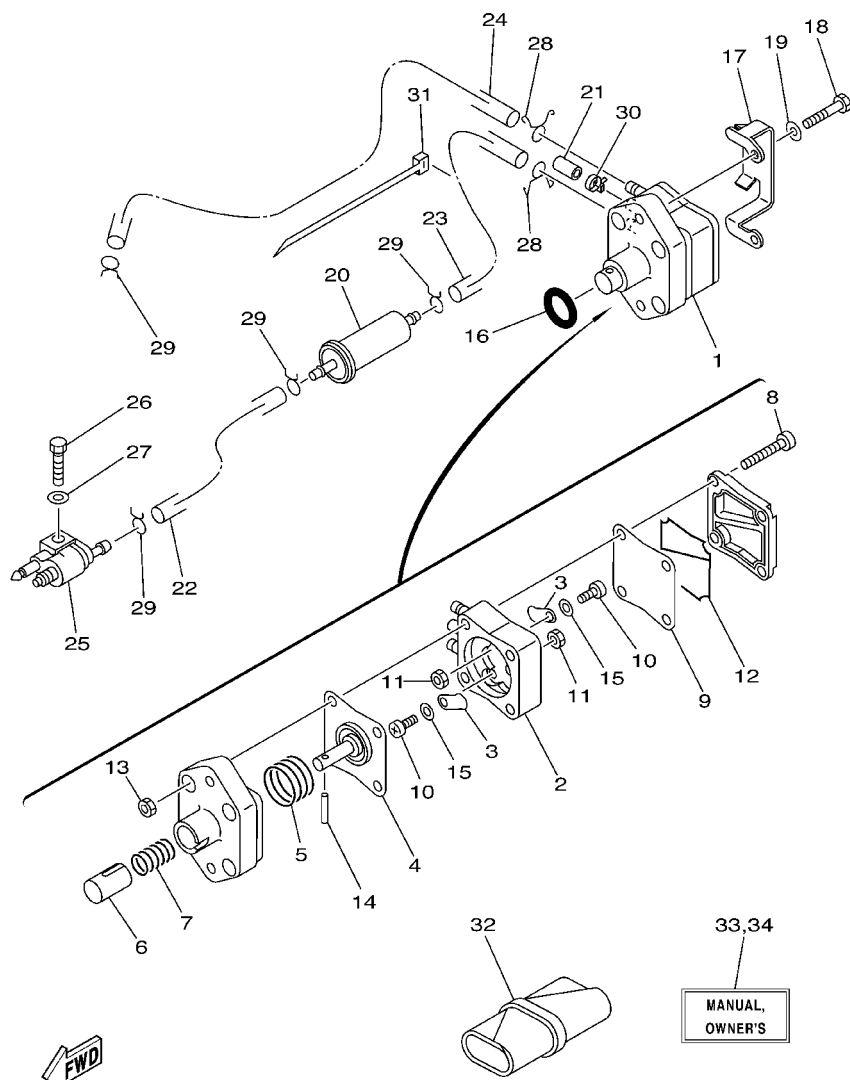
65W2300-3090

FIG. 9 FUEL

CARBURANT

REF. NO.	PART NO. NO. PIECES	DESCRIPTION DESCRIPTION	MH	E	ET	REMARKS REMARQUES
1	62Y-24410-03	FUEL PUMP ASSY POMPE A ESSENCE	1	1	1	
2	62Y-24413-01	.BODY 2 .CORPS 2	1	1	1	
3	62Y-24421-01	.VALVE, CHECK SOUPAPE, RETENUE	2	2	2	
4	62Y-24411-02	.DIAPHRAGM .DIAPHRAGME	1	1	1	
5	62Y-24423-00	.SPRING, DIAPHRAGM .RESSORT, DIAPHRAGME	1	1	1	
6	62Y-13131-01	.PLUNGER .PLONGEUR	1	1	1	
7	62Y-24454-00	.SPRING .RESSORT	1	1	1	
8	62Y-24444-01	.SCREW .VIS	4	4	4	
9	62Y-24471-00	.DIAPHRAGM .DIAPHRAGME	1	1	1	
10	6A0-14325-00	.SCREW, PAN HEAD .VIS TETE CONIQUE	2	2	2	
11	95380-03600	.NUT .ECROU	2	2	2	
12	62Y-24452-00	.PACKING .JOINT	1	1	1	
13	95380-05600	.NUT .ECROU	4	4	4	
14	62Y-24374-01	.PIN .PIN	1	1	1	
15	62Y-24422-00	.PLATE .PLAQUETTE	2	2	2	
16	93210-24M79	O-RING JOINT TORIQUE	1	1	1	
17	65W-24474-00	COVER COUVERCLE	1	1	1	
18	97095-06030	BOLT BOULON	2	2	2	
19	92995-06600	WASHER RONDELLE	2	2	2	
20	65W-24251-00	STRAINER 1 FILTRE 1	1	1	1	
21	65W-24481-00	PLUG COUVERCLE	1	1	1	
22	90445-10M33	HOSE (L320) DURITE (L320)	1	1	1	
23	90445-10M03	HOSE (L240) DURITE (L240)	1	1	1	
24	90445-10M43	HOSE (L400) DURITE (L400)	1	1	1	
25	6G1-24304-02	FUEL PIPE JOINT COMP. 1 DURITE RACCORDEMT. A ESSENCE	1	1	1	
26	97095-06025	BOLT BOULON	1	1	1	
27	92995-06600	WASHER RONDELLE	1	1	1	

C1



65W2300-3090

FIG. 9 FUEL

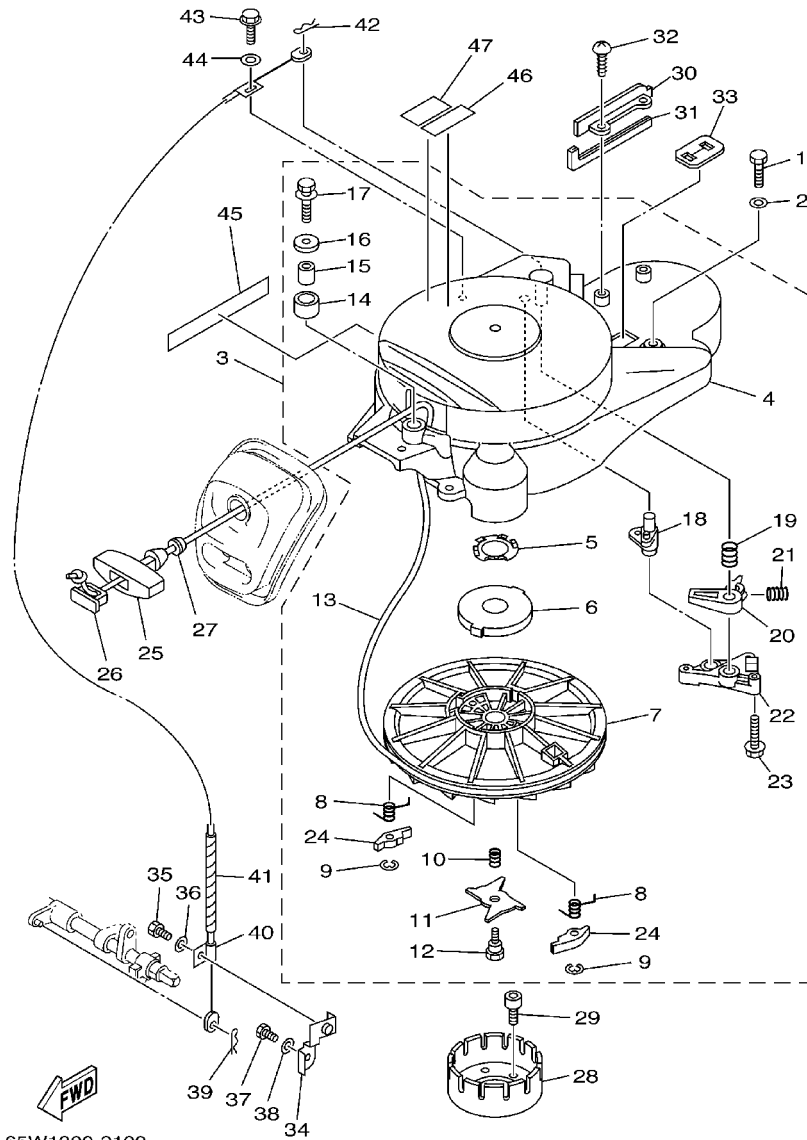
CARBURANT

REF. NO.	PART NO. NO. PIECES	DESCRIPTION DESCRIPTION	MH	E	ET	REMARKS REMARQUES
28	90467-10M04	CLIP JONC	2	2	2	
29	90467-09M03	CLIP JONC	4	4	4	
30	90465-11M10	CLAMP BRIDE	1	1	1	
31	90465-13M18	CLAMP BRIDE	1	1	1	
32	62Y-28100-00	TOOL KIT TROUSSE A OUTILS	1	1	1	
33	65W-28199-77-A0	MANUAL, OWNER'S MANUEL D'UTILISATION	1	1	1	UR (E,F,S)
	65W-28199-77-B0	MANUAL, OWNER'S MANUEL D'UTILISATION	1	1	1	UR (D,NL,I)
34	65W-28199-87-A0	MANUAL, OWNER'S MANUEL D'UTILISATION	1	1	1	UR (DK,P,GR)
	65W-28199-87-B0	MANUAL, OWNER'S MANUEL D'UTILISATION	1	1	1	UR (N,S,SS)



FIG. 10 STARTER

DEMARREUR

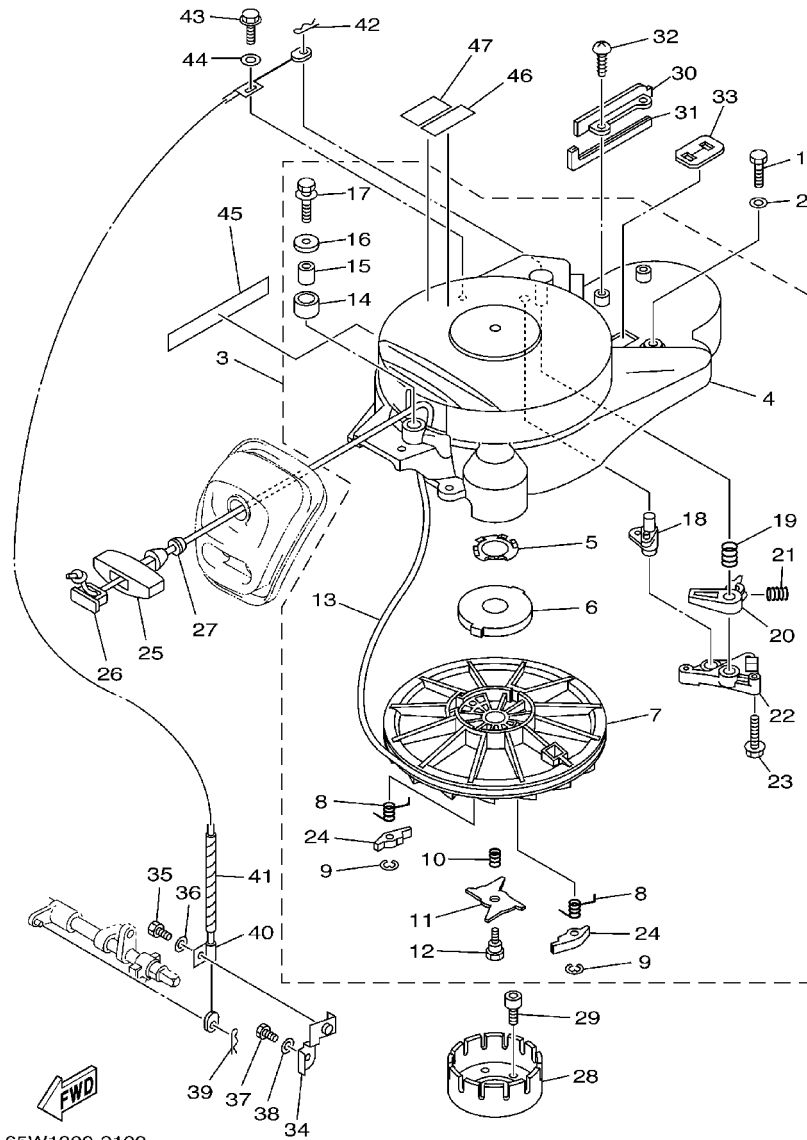


65W1300-2100

REF. NO.	PART NO. NO. PIECES	DESCRIPTION DESCRIPTION	MH	E	ET	REMARKS REMARQUES
1	97095-06025	BOLT BOULON	4			
2	92995-06600	WASHER RONDELLE	4			
3	65W-W1571-01	STARTER ASSY DEMARREUR COMPLET	1			
4	65W-15711-01	.CASE, STARTER .CARTER DE DEMARREUR	1			
5	65W-15732-00	.WASHER, WAVE 1 .RONDELLE ONDULEE 1	1			
6	65W-15713-00	.SPRING, STARTER .RESSORT DE DEMARREUR	1			
7	65W-15714-01	.DRUM, SHEAVE .TAMBOUR, POULIE	1			
8	65W-15734-00	.SPRING, RETURN .RESSORT, RAPPEL	2			
9	65W-15744-00	.CIRCLIP .CIRCLIP	2			
10	65W-15715-00	.SPRING, FRICTION .RESSORT, PLAQUE D'ENTRAINEMENT	1			
11	65W-15716-00	.PLATE, DRIVE .PLAQUE, ENTRAINEMENT	1			
12	65W-15793-00	.SCREW .VIS	1			
13	*	WIRE, STARTER (D:5MM, 1.7M) CABLE DE DEMARREUR(D:5MM,1.7M)	1			
14	65W-15752-00	.ROLLER, WIRE .GALET, CABLE	1			
15	65W-15753-00	.BUSH CHARBON	1			
16	65W-15791-00	.WASHER, LOCK .RONDELLE-FREIN	1			
17	65W-15481-00	.BOLT 1 BOULON 1	1			
18	65W-15735-01	.GUIDE, CAM COULISSEAU	1			
19	65W-15767-01	.SPRING RESSORT	1			
20	65W-15794-00	.STOPPER BUTEE	1			
21	65W-15784-00	.SPRING, RETURN .RESSORT, RAPPEL	1			
22	65W-15414-00	.COVER 1 COUVERCLE 1	1			
23	65W-15768-00	.BOLT BOULON	3			
24	65W-15741-10	.PAWL, DRIVE .CLIQUET, ENTRAINEMENT	2			
25	689-15755-01	HANDLE, STARTER POIGNEE, DE DEMARREUR	1			
<p>* CUT FROM 50M ROLLS, PART NO. 90890-44373, CUTTING LENGTH 1.7M * A PRELEVER SUR BOBINE 50M , REFERENCE 90890-44373, LONGUEUR DE COUPE 1.7M</p>						

FIG. 10 STARTER

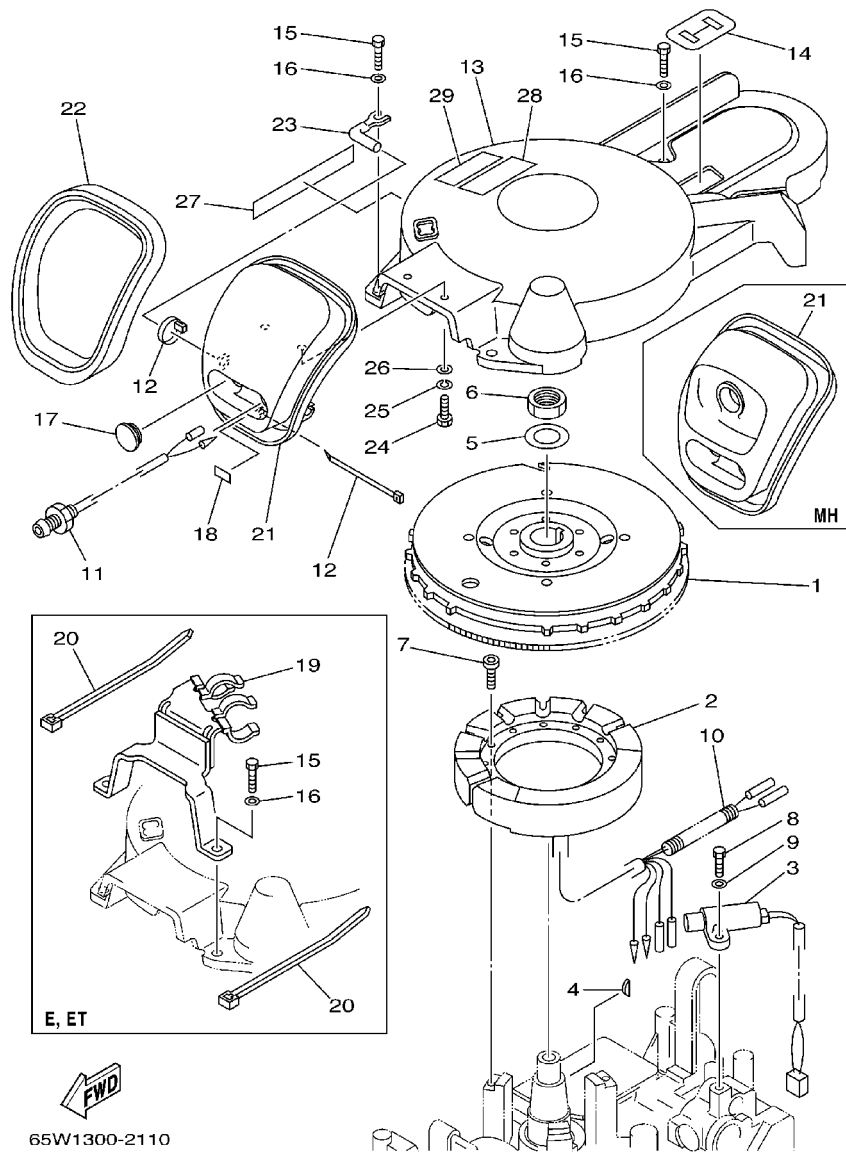
DEMARREUR



REF. NO.	PART NO. NO. PIECES	DESCRIPTION DESCRIPTION	MH	E	ET	REMARKS REMARQUES
26	6F5-15779-02	COVER COUVERCLE	1			
27	6A0-15789-00	DAMPER AMORTISSEUR	1			
28	65W-15723-10	PULLEY, STARTER POULIE DE DEMARREUR	1			
29	90110-08M03	BOLT, HEXAGON SOCKET HEAD BOULON, TETE HEXAGONALE CREUSE	3			
30	65W-15645-00	SHIM, KICK SHAFT CALE, AXE DE KICK	1			
31	65W-15761-00	SEAL, RUBBER 1 JOINT CAOUTCHOUC 1	1			
32	97780-60520	SCREW, TAPPING VIS, TETE BOMBEE	2			
33	65W-81639-10	PLATE, ARMATURE FITTING PLAQUE, FIXATION D'INDUIT	1			
34	65W-15774-00	STAY 4 SUPPORT 4	1			
35	97095-06012	BOLT BOULON	1			
36	92995-06600	WASHER RONDELLE	1			
37	97095-06012	BOLT BOULON	1			
38	92995-06600	WASHER RONDELLE	1			
39	90468-18008	CLIP JONC	1			
40	65W-15770-00	CABLE COMP., STARTER STOP CABLE, BUTEE DE DEMAR	1			
41	90446-06M90	HOSE DURITE	1			
42	90468-10005	CLIP JONC	1			
43	65W-15482-00	BOLT 2 BOULON 2	1			
44	65W-15726-00	WASHER, FLAT RONDELLE, PLATE	1			
45	65W-13437-61	MARK, CAUTION MAKER	1			
46	6A1-83625-41	MARK 5 ETIQUETTE 5	1			
47	6A1-83625-51	MARK 5 ETIQUETTE 5	1			

FIG. 11 GENERATOR

GENERATRICE

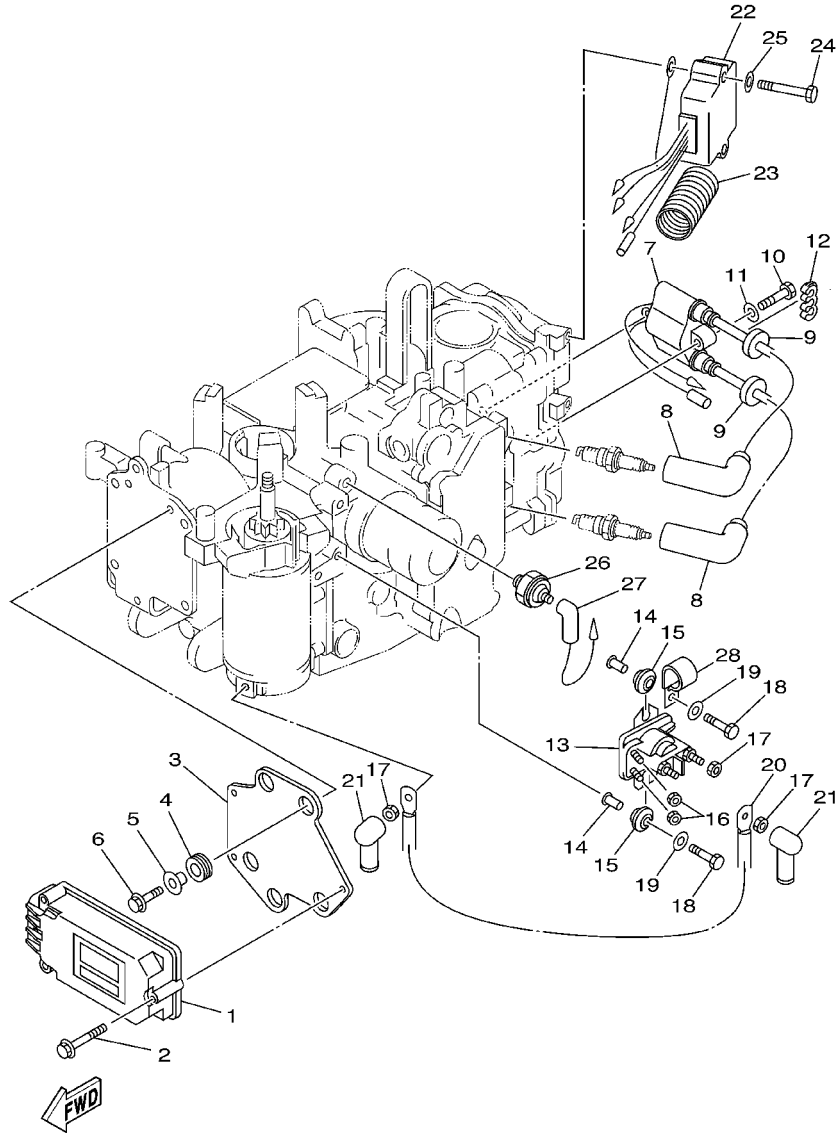


REF. NO.	PART NO. NO. PIECES	DESCRIPTION DESCRIPTION	MH	E	ET	REMARKS REMARQUES
1	65W-85550-01	ROTOR ASSY		1	1	
		ROTOR CPLT				
	65W-85550-11	ROTOR ASSY	1			
		ROTOR CPLT				
2	65W-85510-10	STATOR ASSY		1	1	
		STATOR CPLT				
	65W-85510-00	STATOR ASSY	1			
		STATOR CPLT				
3	65W-85580-00	COIL, PULSER	1	1	1	
		BOBINE, PULSEUR				
4	65W-11545-00	KEY, WOODRUFF	1	1	1	
		CLAVETTE, DEMI-LUNE				
5	90201-21M18	WASHER, PLATE	1	1	1	
		RONDELLE, PLATE				
6	90170-20137	NUT	1	1	1	
		ECROU				
7	91380-05030	BOLT		3	3	
		BOULON				
	91380-05025	BOLT		3		
		BOULON				
8	97095-05016	BOLT	2	2	2	
		BOULON				
9	92995-05600	WASHER	2	2	2	
		RONDELLE				
10	90446-10M82	HOSE	1	1	1	
		DURITE				
11	65W-85410-01	EMERGENCY SIGNAL LIGHT ASSY	1	1	1	
		FEU DE DETRESSE				
12	90465-11M10	CLAMP	2	2	2	
		BRIDE				
13	65W-81337-00	COVER, FLYWHEEL		1	1	
		COUVERCLE, VOLANT				
14	65W-81639-00	PLATE, ARMATURE FITTING		1	1	
		PLAQUE, FIXATION D'INDUIT				
15	97095-06025	BOLT	4	4		
		BOULON				
16	92995-06600	WASHER	4	4		
		RONDELLE				
17	6G1-42725-00	GROMMET		1	1	
		PASSE-FIL				
18	65W-84342-00	SEAT, EMBLEM	1	1	1	
		SIEGE, EMBLEME				
19	65W-82594-10	CLAMP		1	1	
		BRIDE				
20	90465-13M18	CLAMP		2	2	
		BRIDE				
21	65W-15758-10	GUIDE, ROPE		1	1	
		GUIDE DE CABLE				
	65W-15758-00	GUIDE, ROPE	1			
		GUIDE DE CABLE				
22	65W-15762-00	SEAL, RUBBER 2	1	1	1	
		JOINT CAOUTCHOUC 2				
23	65W-15771-00	STAY 1	1	1	1	
		SUPPORT 1				



FIG. 12 ELECTRICAL 1

PARTIE ELECTRIQUE 1



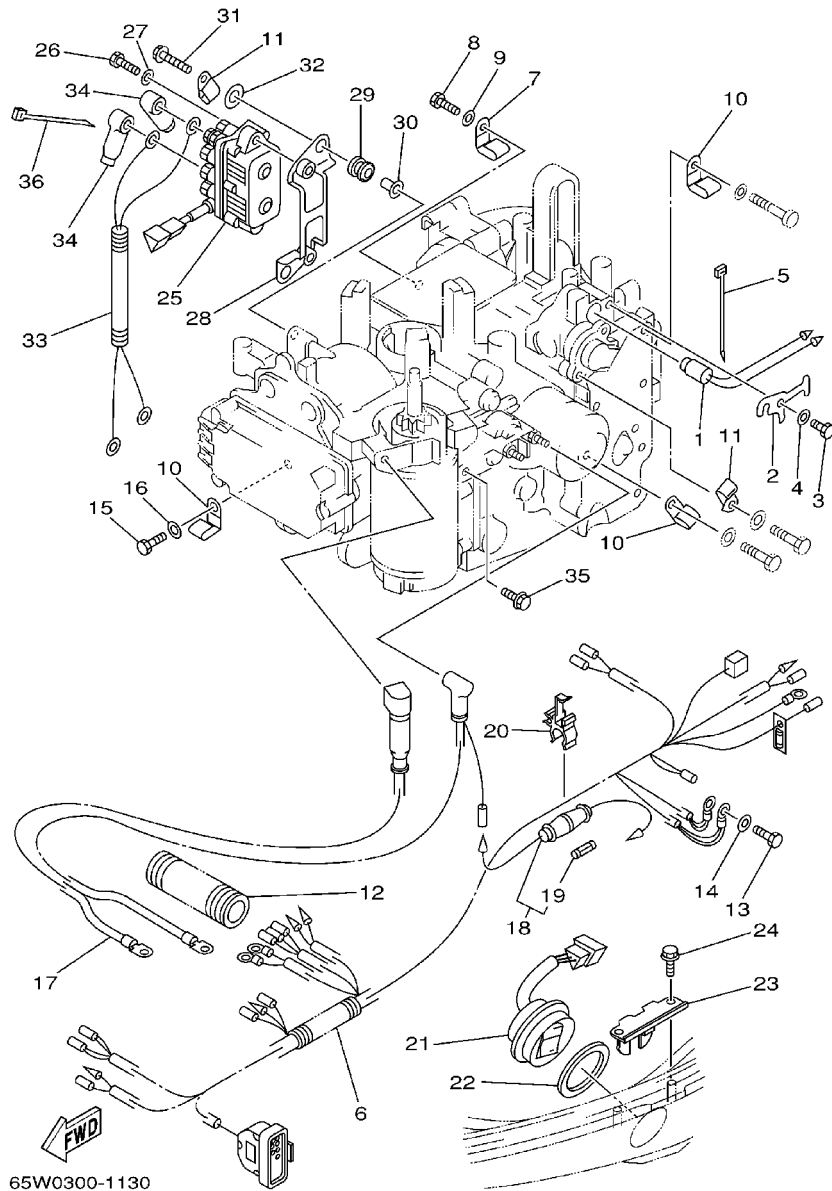
65W2300-3120

REF. NO.	PART NO. NO. PIECES	DESCRIPTION DESCRIPTION	MH	E	ET	REMARKS REMARQUES
1	65W-85540-20	C.D.I. UNIT ASSY BLOC C.D.I.	1	1	1	
2	65W-8252V-00	SCREW, SPECIAL VIS, SPECIALE	3	3	3	
3	65W-85542-00	BRACKET SUPPORT	1	1	1	
4	65W-85547-00	DAMPER AMORTISSEUR	3	3	3	
5	65W-86129-20	COLLAR COLLERETTE	3	3	3	
6	65W-8252V-10	SCREW, SPECIAL VIS, SPECIALE	3	3	3	
7	65W-85570-00	IGNITION COIL ASSY BOBINE D'ALLUMAGE (ENS.)	1	1	1	
8	6G8-82370-30	PLUG CAP ASSY ANTIPARASITE	2	2	2	
9	90480-25161	GROMMET PASSE-FIL	2	2	2	
10	97095-06030	BOLT BOULON	2	2	2	
11	92995-06600	WASHER RONDELLE	2	2	2	
12	90464-07M05	CLAMP BRIDE	1	1	1	
13	65W-81941-00	STARTER RELAY ASSY LANCEUR RELAIS (ENS.)	1	1	1	
14	65W-8191C-00	COLLAR COLLERETTE	2	2	2	
15	65W-81922-00	GROMMET OEILLET CAOUTCHOUC	2	2	2	
16	65W-8182A-00	NUT ECROU	2	2	2	
17	65W-8182B-00	NUT, SPECIAL ECROU, SPECIAL	3	3	3	
18	97095-06025	BOLT BOULON	2	2	2	
	97095-06016	BOLT BOULON	1			
19	92995-06600	WASHER RONDELLE	2	2	2	
	92995-06600	WASHER RONDELLE	1			
20	65W-82117-00	WIRE, LEAD FIL	1	1	1	
21	6G5-82119-10	COVER, LEAD WIRE GARNITURE, FIL	2	2	2	
22	65W-81960-00	RECTIFIER & REGULATOR ASSY REDRESSEUR REGULATEUR CPLT	1	1	1	
23	6K3-83557-00	TUBE TUBE	1	1	1	
24	97095-06040	BOLT BOULON	2	2	2	
25	92995-06600	WASHER RONDELLE	2	2	2	



FIG. 13 ELECTRICAL 2

PARTIE ELECTRIQUE 2

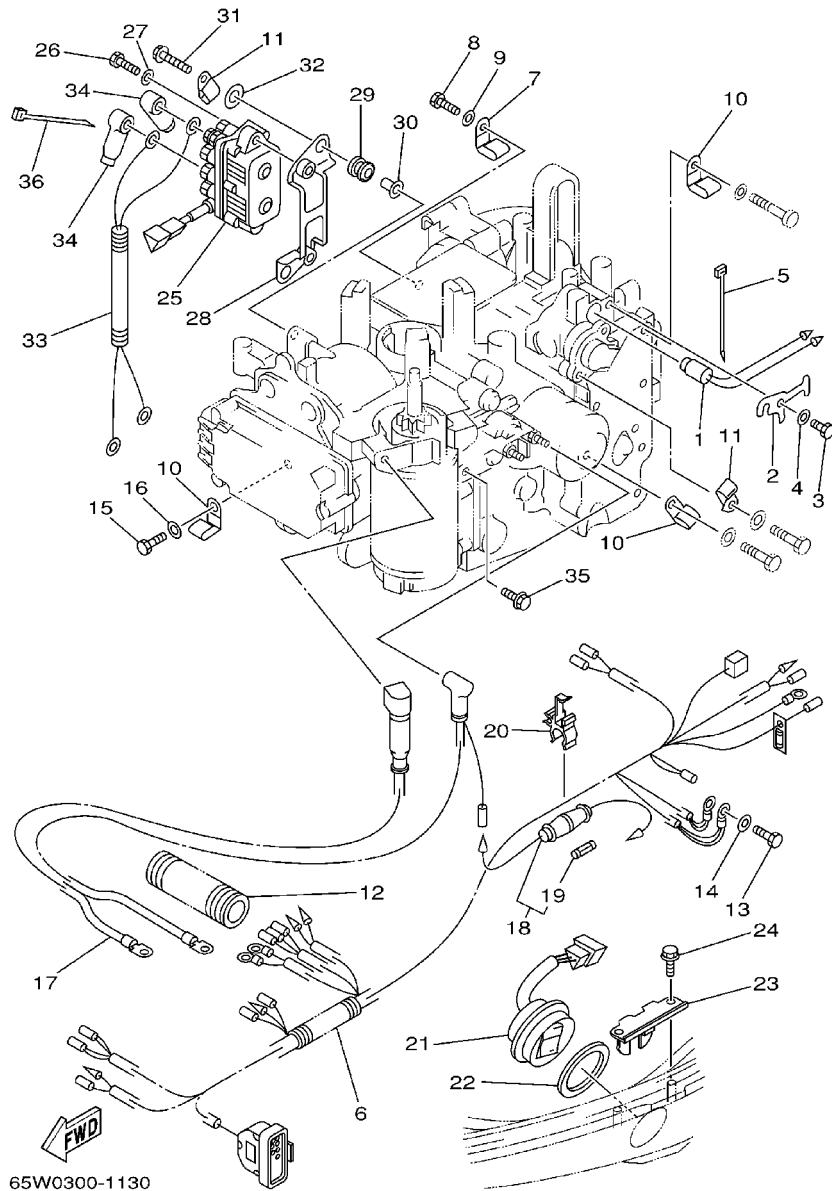


65W0300-1130

REF. NO.	PART NO. NO. PIECES	DESCRIPTION DESCRIPTION	MH	E	ET	REMARKS REMARQUES
1	65W-85790-00	THERMOSENSOR ASSY SENSITOMETRE	1	1	1	
2	65W-85757-00	RETAINER ARRETOIR	1	1	1	
3	97095-06012	BOLT BOULON	1	1	1	
4	92995-06600	WASHER RONDELLE	1	1	1	
5	90465-11M10	CLAMP BRIDE	1	1	1	
6	65W-82590-10	WIRE HARNESS ASSY (7P) FAISCEAU DE FILS COMPLET (7P)		1		
	65W-82590-30	WIRE HARNESS ASSY FAISCEAU DE FILS COMPLET			1	
	65W-82590-40	WIRE HARNESS ASSY FAISCEAU DE FILS COMPLET	1			
7	90465-08M08	CLAMP BRIDE			1	
8	97095-06016	BOLT BOULON			1	
9	92995-06600	WASHER RONDELLE			1	
10	90465-08M08	CLAMP BRIDE	3	3	3	
11	90465-06M88	CLAMP BRIDE		2	2	
	90465-06M88	CLAMP BRIDE	1			
12	6N7-83557-00	TUBE	2			I.DIA.: 22MM
	6N7-83557-00	TUBE		1	1	I.DIA.: 22MM
13	97095-06016	BOLT BOULON	2	2	2	
14	92995-06600	WASHER RONDELLE	2	2	2	
15	97095-05016	BOLT BOULON	1	1	1	
16	92995-05600	WASHER RONDELLE	1	1	1	
17	65W-82105-00	WIRE HARNESS FAISCEAU DE FILS		1	1	
18	6G8-82150-00	FUSE HOLDER ASSY SUPPORT DE FUSIBLE		1	1	
19	663-82151-00	.FUSE (12V-20A) .FUSIBLE (12V-20A)		1	1	
20	6G5-82152-00	HOLDER, FUSE SUPPORT, FUSIBLE		1	1	
21	6H1-82563-10	TRIM & TILT SWITCH ASSY INCLINER ET PARER COMMUTATEUR			1	
22	6E5-82587-00	GASKET JOINT			1	
23	62Y-83614-00	BRACKET SUPPORT			1	

FIG. 13 ELECTRICAL 2

PARTIE ELECTRIQUE 2



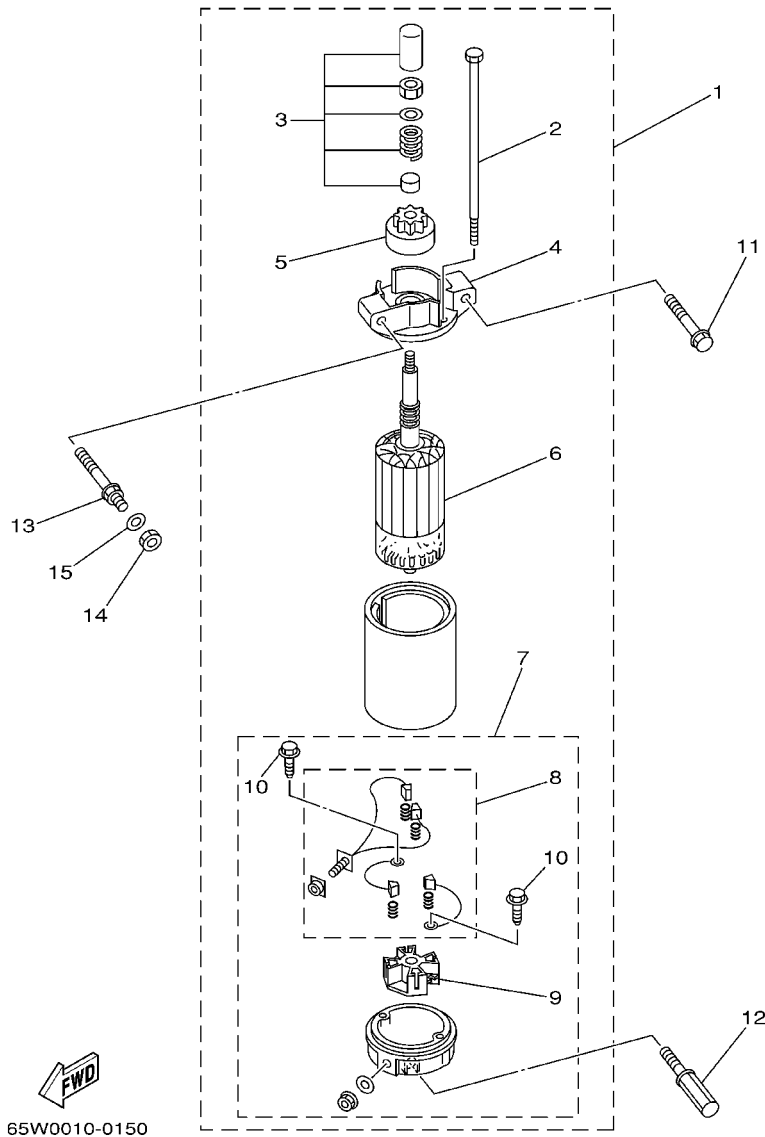
REF. NO.	PART NO. NO. PIECES	DESCRIPTION DESCRIPTION	MH	E	ET	REMARKS REMARQUES
24	90109-06M86	BOLT BOULON			2	
25	61A-81950-00	RELAY ASSY RELAIS COMPLET			1	
26	97075-06020	BOLT BOULON			2	
27	92995-06600	WASHER RONDELLE			2	
28	65W-81948-00	BRACKET JOINT TORIQUE			1	
29	6A0-82317-00	DAMPER, IGNITION COIL AMORTISSEUR, BOBINE D'ALLUM			2	
30	624-42542-00	PIPE TUYAU			2	
31	95895-06030	BOLT, FLANGE BOULON			2	
32	90201-12M16	WASHER, PLATE RONDELLE, PLATE			2	
33	65W-81949-00	WIRE, LEAD FIL			1	
34	682-82119-01	COVER, LEAD WIRE GARNITURE, FIL			4	
35	97575-06516	BOLT, WITH WASHER VIS HEXAGONAL AVC RONDELLE			1	
36	90465-11M10	CLAMP BRIDE			1	





FIG. 15 STARTING MOTOR

DEMARREUR ELECTRIQUE

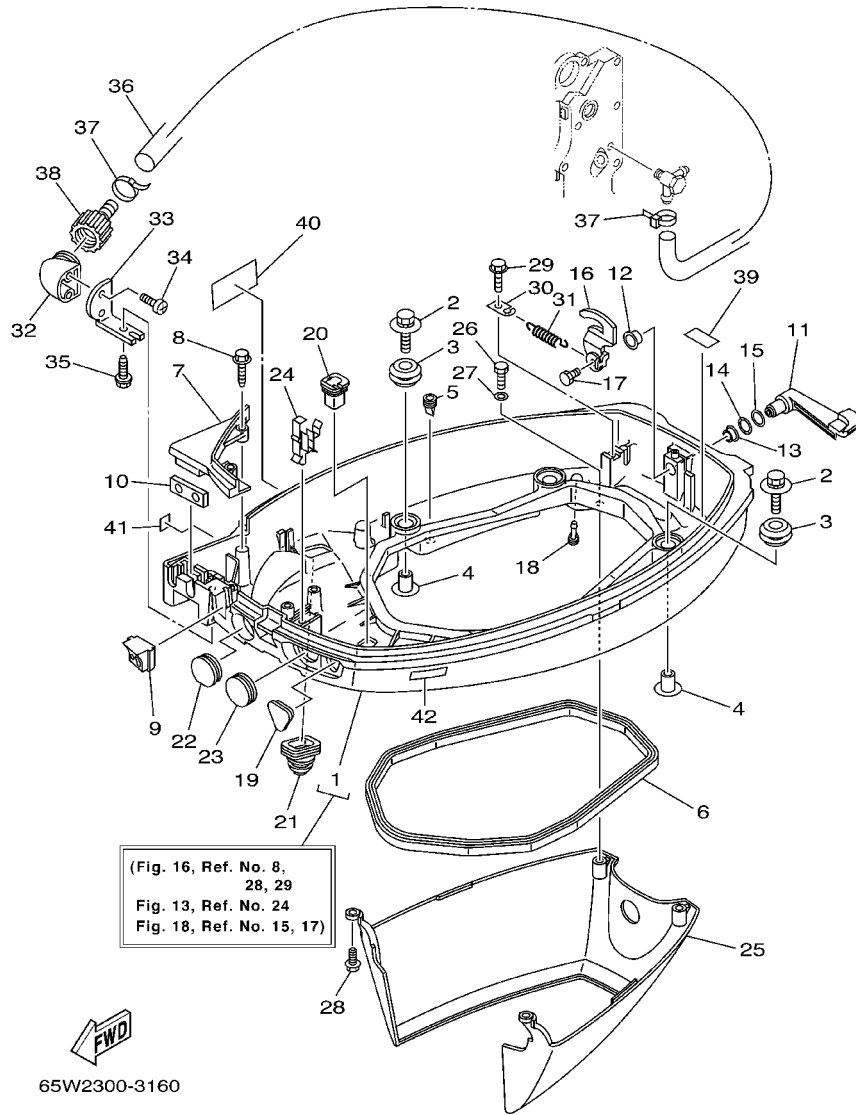


REF. NO.	PART NO. NO. PIECES	DESCRIPTION DESCRIPTION	MH	E	ET	REMARKS REMARQUES
1	65W-81800-01	STARTING MOTOR ASSY DEMARREUR ELECTRIQUE COMPLET		1	1	
2	65W-81826-00	.BOLT BOULON		2	2	
3	65W-81857-01	.RETAINER ARRETOIR		1	1	
4	65W-81830-00	.FRONT BRACKET ASSY SUPPORT AVANT		1	1	
5	65W-81807-00	.GEAR ASSY, STARTING MOTOR .PIGNON, DEMARREUR ELECTRIQUE		1	1	
6	65W-81850-01	.ARMATURE ASSY .INDUIT		1	1	
7	65W-81820-00	.REAR BRACKET ASSY SUPPORT ARRIERE COMPLET		1	1	
8	65W-81801-00	..BRUSH SET ..CHARBON		1	1	
9	65W-81840-00	..BRUSH HOLDER ASSY ..SUPPORT DE CHARBON		1	1	
10	65W-8182S-00	..SCREW ..VIS		2	2	
11	90119-08M39	BOLT, WITH WASHER BOULON, AVEC RONDELLE		1	1	
12	90109-08M77	BOLT BOULON		1	1	
13	90109-08M78	BOLT BOULON		1	1	
14	95380-08700	NUT ECROU		1	1	
15	92990-08600	WASHER, PLATE RONDELLE, PLATE		2	2	

65W0010-0150

FIG. 16 BOTTOM COWLING

CAPOT INFERIEUR

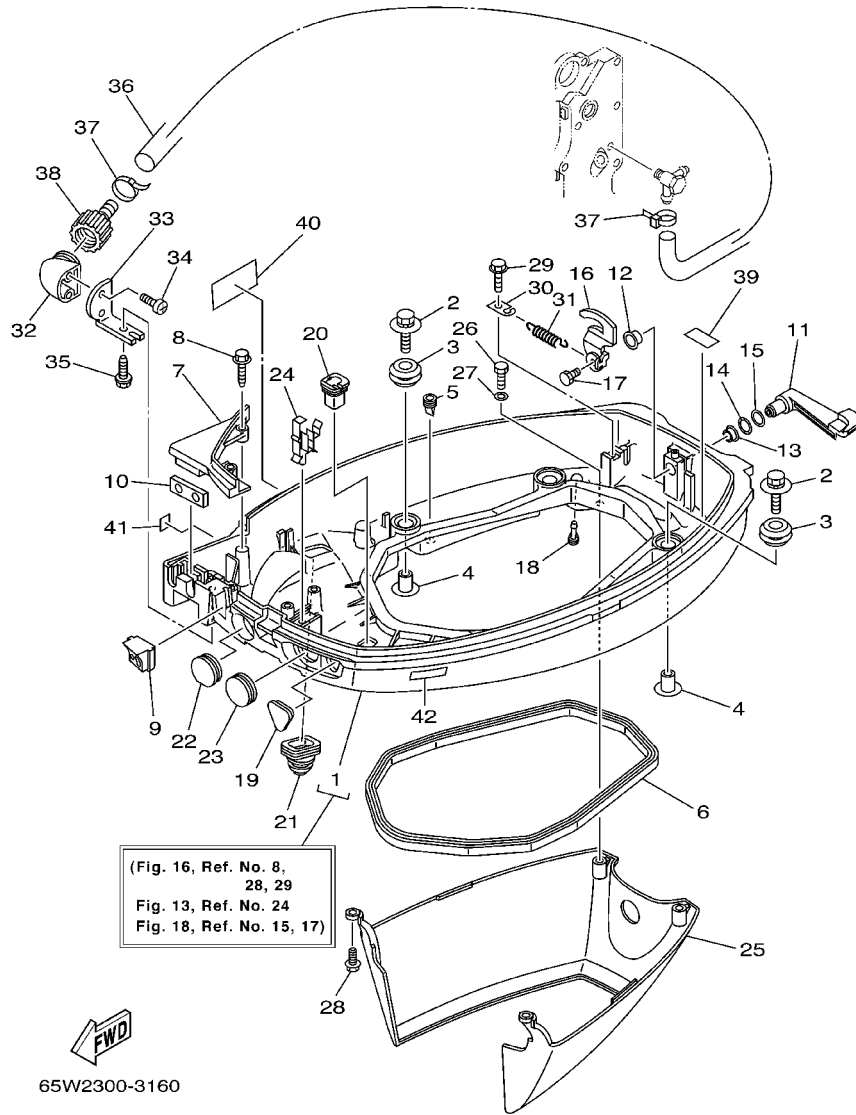


65W2300-3160

REF. NO.	PART NO. NO. PIECES	DESCRIPTION DESCRIPTION	MH	E	ET	REMARKS REMARQUES
1	65W-42710-05-4D	BOTTOM COWLING ASSY ENS. EMBASE	1	1		WITH TAPPING BOLT
	65W-42710-15-4D	BOTTOM COWLING ASSY ENS. EMBASE			1	WITH TAPPING BOLT
2	90119-06M08	BOLT, WITH WASHER BOULON, AVEC RONDELLE	4	4	4	
3	90480-09M12	GROMMET PASSE-FIL	4	4	4	
4	90387-06060	COLLAR COLLERETTE	4	4	4	
5	65W-42717-00	RUBBER, SEAL 2 JOINT EN CAOUTCHOUC 2	6	6	6	
6	62Y-42716-00	RUBBER, SEAL 1 JOINT EN CAOUTCHOUC 1	1	1	1	
7	65W-42738-01-4D	PLATE, FITTING ETRIER	1	1	1	
8	90109-06M82	BOLT BOULON	2	2	2	
9	65W-42725-00	GROMMET PASSE-FIL	1			
	65W-42725-21	GROMMET PASSE-FIL		1	1	
10	65W-42727-00	GROMMET PASSE-FIL	1			
	62Y-42727-00	GROMMET PASSE-FIL		1	1	
11	65W-42815-01-4D	LEVER, CLAMP LEVIER, PRESSE	1	1	1	
12	90386-12M37	BUSH DOUILLE	1	1	1	
13	90386-12MA2	BUSH DOUILLE	1	1	1	
14	90206-12052	WASHER, WAVE RONDELLE, ONDULEE	1	1	1	
15	90201-12M07	WASHER, PLATE RONDELLE, PLATE	1	1	1	
16	65W-42816-03	LEVER, CLAMP LEVIER, PRESSE	1	1	1	
17	97095-06012	BOLT BOULON	1	1	1	
18	6H3-44391-01	NIPPLE, HOSE RACCORD D'ESSENCE	1	1	1	
19	65W-26326-00	GROMMET RONDELLE CAOUTCHOUC	1			
	65W-26326-10	GROMMET RONDELLE CAOUTCHOUC		1	1	
20	682-42727-00	GROMMET PASSE-FIL	1	1	1	
21	65W-42724-10	GROMMET PASSE-FIL	1	1		FOR FLUSHING KIT
	6H1-42726-20	GROMMET PASSE-FIL			1	FOR FLUSHING KIT
22	6G1-42725-00	GROMMET PASSE-FIL	1	1	1	

FIG. 16 BOTTOM COWLING

CAPOT INFERIEUR



REF. NO.	PART NO. NO. PIECES	DESCRIPTION DESCRIPTION	MH	E	ET	REMARKS REMARQUES
23	65W-42726-00	GROMMET PASSE-FIL	1			
	65W-42726-10	GROMMET PASSE-FIL		1	1	
24	90465-25M57	CLAMP BRIDE	1	1	1	
25	65W-42741-01	APRON CAPOT LATERAL	1	1	1	
26	97095-06014	BOLT BOULON	2	2	2	
27	92995-06600	WASHER RONDELLE	2	2	2	
28	90109-06M81	BOLT BOULON	2	2	2	
29	90109-06M86	BOLT BOULON	1	1	1	
30	66T-43144-00	HOOK, SPRING CROCHET	1	1	1	
31	90506-16M34	SPRING, TENSION RESSORT, TENSION	1	1	1	
32	68T-12572-00	ADAPTER ADAPTATEUR	1	1	1	FLUSHING KIT
33	69W-12535-00	PLATE PLAQUE	1	1	1	FLUSHING KIT
34	90167-06002	SCREW, TAPPING VIS, TETE FRAISEE	2	2	2	FLUSHING KIT
35	90109-06M86	BOLT BOULON	1	1	1	FLUSHING KIT
36	90445-11M82	HOSE DURITE	1	1	1	FLUSHING KIT
37	90465-11M10	CLAMP BRIDE	2	2	2	FLUSHING KIT
38	6R3-12580-00	JOINT ASSY ARTICULER (ENS.)	1	1	1	FLUSHING KIT
39	62Y-82377-00	LABEL ETIQUETTE	1	1	1	
40	6G8-13444-51	MARK MAKER	1	1	1	
41	6A1-28176-00	LABEL, CAUTION ETIQUETTE, RECOMMANDATION	1	1	1	
42	6E3-8257H-00	PLATE, MARK PLAQUE, ADHESIF	1	1	1	

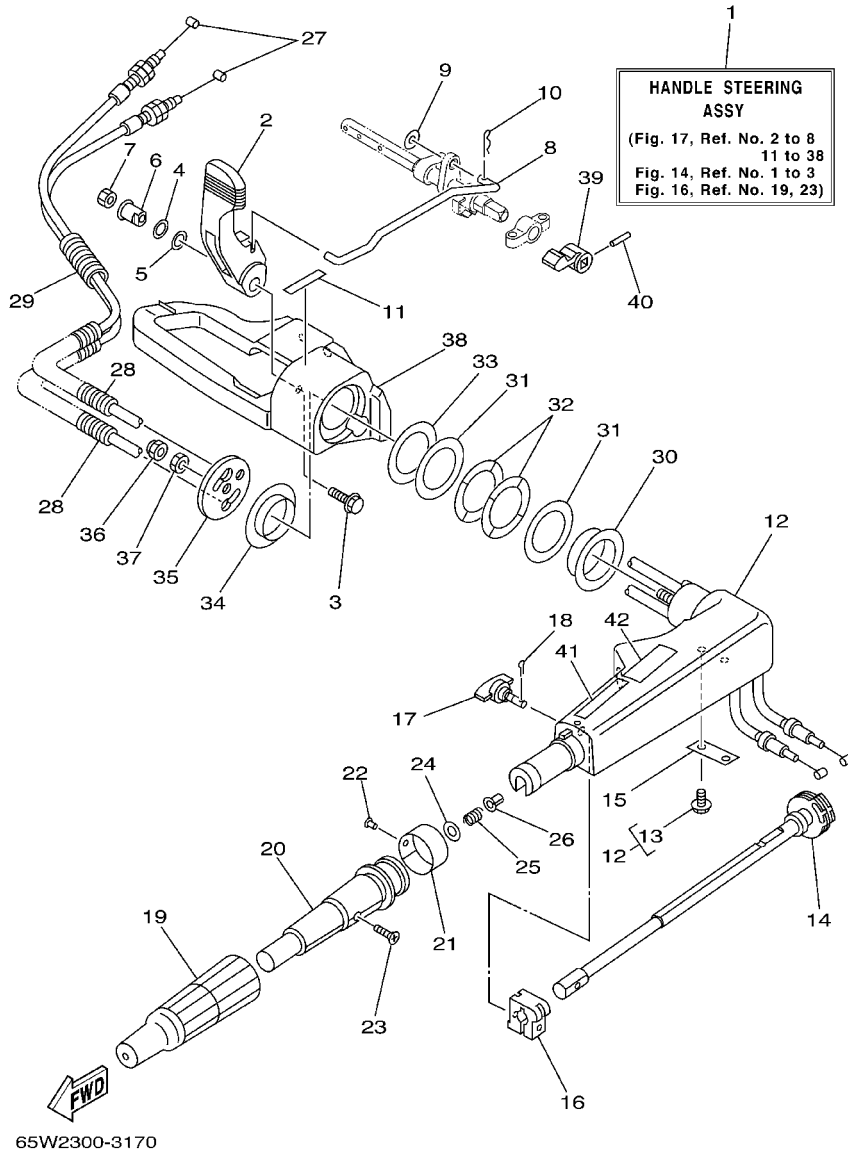


FIG. 17 STEERING

DIRECTION

REF. NO.	PART NO. NO. PIECES	DESCRIPTION DESCRIPTION	MH	E	ET	REMARKS REMARQUES
1	65W-W0084-01-4D	HANDLE STEERING ASSY BARRE FRANCHE (ENS.)	1			
2	65W-44111-00	HANDLE, GEAR SHIFT POIGNEE, LEVIER D'EMBRAYAGE	1			
3	90119-06M85	BOLT, WITH WASHER BOULON, AVEC RONDELLE	1			
4	90206-12M00	WASHER, WAVE RONDELLE, ONDULEE	1			
5	90201-12M07	WASHER, PLATE RONDELLE, PLATE	1			
6	65W-42123-00	BOLT, HANDLE JOINT BOULON	1			
7	95380-06600	NUT, HEXAGON ECROU	1			
8	65W-44124-00	LINK, SHIFT ROD BIELLETTTE	1			
9	92990-06200	WASHER, PLAIN RONDELLE, PLATE	1			
10	90468-18008	CLIP JONC	1			
11	6E0-44191-11	INDICATOR, SHIFT ETIQUETTE, EMBRAYAGE	1			
12	65W-42101-01-4D	HANDLE, STEERING POIGNEE	1			
13	90109-06M86	.BOLT .BOULON	2			
14	65W-42138-00	LEVER, THROTTLE LEVIER, ACCELERATEUR	1			
15	65W-42159-00	STAY SUPPORT	1			
16	6G1-42126-00	FRICTION, STEERING HANDLE GRIP CUVETTE, POIGNEE DE DIRECTION	1			
17	65W-42125-00	BOLT, FRICTION ADJUSTING BOULON	1			
18	91490-16010	PIN, COTTER GOUPILLE	1			
19	66M-42177-00	RUBBER, HANDLE CAOUTCHOUC, POIGNEE	1			
20	66M-42119-00	GRIP, STEERING HANDLE POIGNEE, BARRE FRANCHE	1			
21	6J0-42137-00	INDICATOR, THROTTLE INDICATEUR, ACCELERATION	1			
22	90269-02M09	RIVET RIVET	1			
23	90149-05M13	SCREW VIS	1			
24	92903-10600	WASHER, PLATE RONDELLE, PLATE	1			
25	90501-23215	SPRING, COMPRESSION RESSORT, COMPRESSION	1			
26	90386-08032	BUSH DOUILLE	1			
27	65W-26311-00	CABLE, THROTTLE 1 CABLE 1, ACCELERATEUR	2			

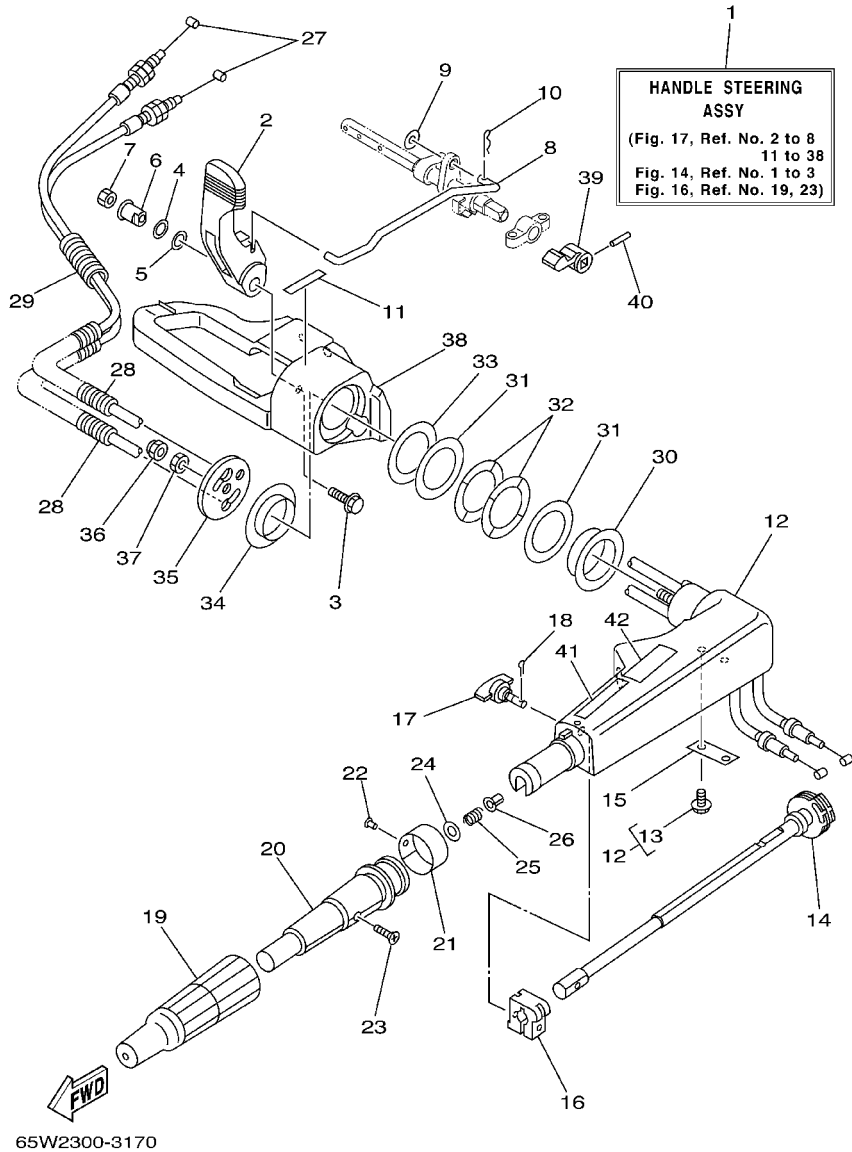


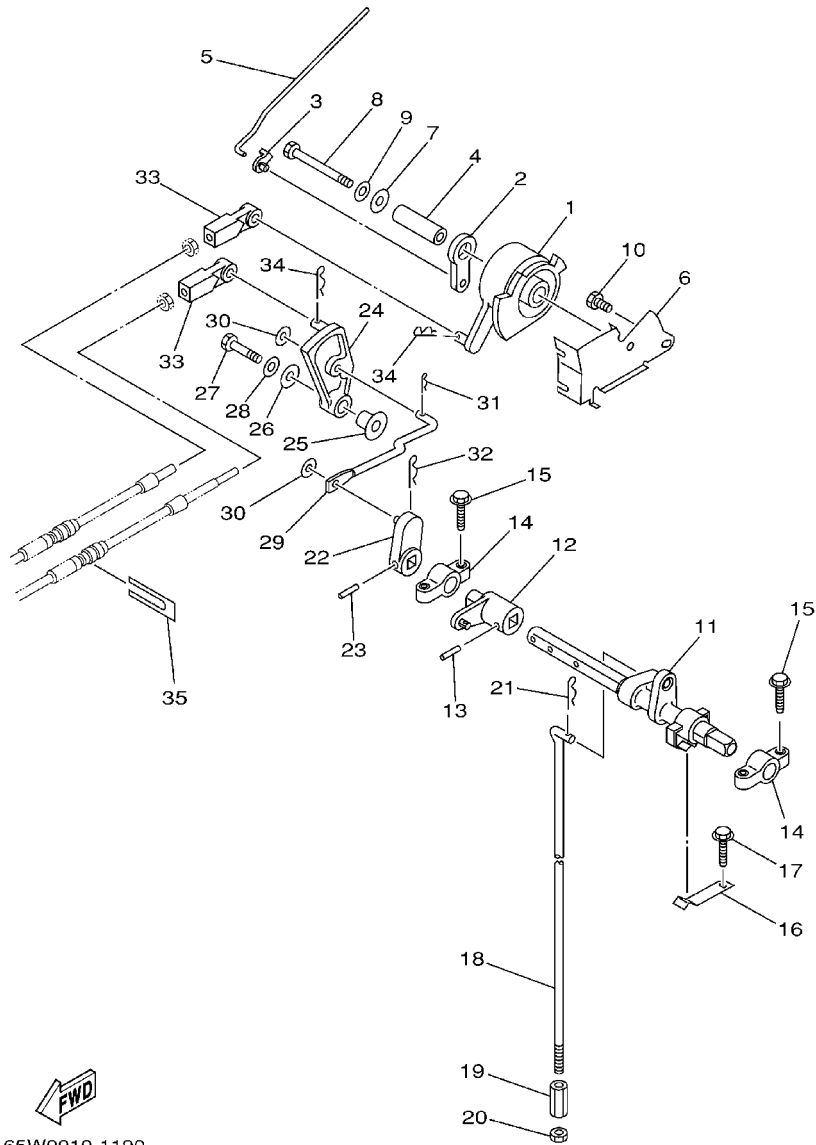
FIG. 17 STEERING

DIRECTION

REF. NO.	PART NO. NO. PIECES	DESCRIPTION DESCRIPTION	MH	E	ET	REMARKS REMARQUES
28	90446-10M86	HOSE DURITE	2			
29	90446-14M88	HOSE DURITE	1			
30	90386-40MA0	BUSH DOUILLE	1			
31	90201-43M00	WASHER, PLATE RONDELLE, PLATE	2			
32	90206-43M22	WASHER, WAVE RONDELLE, ONDULEE	2			
33	90202-43M57	WASHER, PLATE RONDELLE, PLATE	1			
34	90386-40M99	BUSH DOUILLE	1			
35	65W-42131-01	COVER, HANDLE STEERING COUVERCLE	1			
36	95780-10300	NUT, FLANGE ECROU	1			
37	95380-10700	NUT ECROU	1			
38	65W-42121-01-4D	BRACKET SUPPORT	1			
39	65W-44173-00	LEVER, SHIFT CONTROL POIGNEE, INVERSION		1	1	
40	90254-03M05	PIN, SPRING RIVET, TETE TRONCONIQUE		1	1	
41	6E0-83627-41	LABEL, CAUTION 7 ETIQUETTE, RECOMMANDATION 7	1			
42	6E0-83627-51	LABEL, CAUTION 7 ETIQUETTE, RECOMMANDATION 7	1			

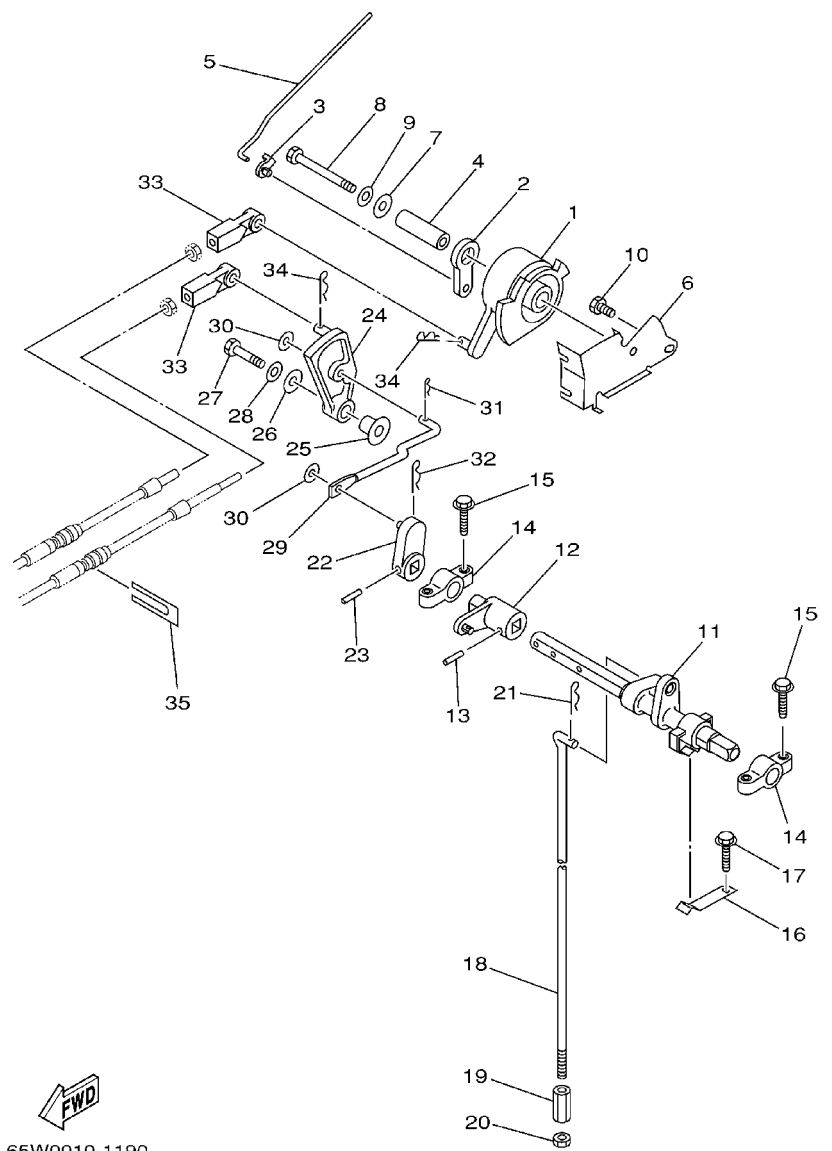
FIG. 18 CONTROL

COMMANDE



65W0010-1190

REF. NO.	PART NO. NO. PIECES	DESCRIPTION DESCRIPTION	MH	E	ET	REMARKS REMARQUES
1	65W-41638-00	PULLEY POULIE	1	1	1	
2	65W-41283-00	LEVER, FREE ACCEL. LEVIER	1	1	1	
3	661-41262-02	JOINT, CHOKE LEVER RACCORD, LEVIER DE STARTER	1	1	1	
4	90387-06064	COLLAR COLLERETTE	1	1	1	
5	65W-41211-00	LINK, ACCEL. BIELLE, ACCELERATION	1	1	1	
6	65W-14497-01	STAY, THROTTLE WIRE SUPPORT DE BOISSEAU	1	1	1	
7	90201-06M31	WASHER, PLATE RONDELLE, PLATE	1	1	1	
8	97095-06055	BOLT BOULON	1	1	1	
9	92995-06600	WASHER RONDELLE	1	1	1	
10	97095-06010	BOLT BOULON	1	1	1	
11	65W-44121-00	LEVER, SHIFT ROD LEVIER, TIGE D'INVERSION	1	1	1	
12	65W-44122-00	BUSHING, SHIFT ROD LEVER DOUILLE, LEVIER D'EMBRAYAGE	1	1	1	
13	90254-03M05	PIN, SPRING RIVET, TETE TRONCONIQUE	1	1	1	
14	6F5-41662-00	BRACKET SUPPORT	2	2	2	
15	90109-06M81	BOLT BOULON	4	4	4	
16	65W-44116-00	SPRING RESSORT	1	1	1	
17	90109-06M86	BOLT BOULON	1	1	1	
18	65W-44143-00	ROD, SHIFT TIGE D'EMBRAYAGE	1	1		S
	65W-44143-10	ROD, SHIFT TIGE D'EMBRAYAGE	1	1	1	L
19	90170-06015	NUT ECROU	1	1	1	
20	95380-06700	NUT ECROU	1	1	1	
21	90468-18008	CLIP JONC	1	1	1	
22	65W-44142-00	JOINT AXE	1	1	1	
23	90254-03M05	PIN, SPRING RIVET, TETE TRONCONIQUE	1	1		
24	65W-44125-00	LEVER, SHIFT ROD LEVIER, TIGE D'INVERSION	1	1		
25	90387-06M29	COLLAR COLLERETTE	1	1		
26	90201-06M31	WASHER, PLATE RONDELLE, PLATE	1	1		



65W0010-1190

FIG. 18 CONTROL

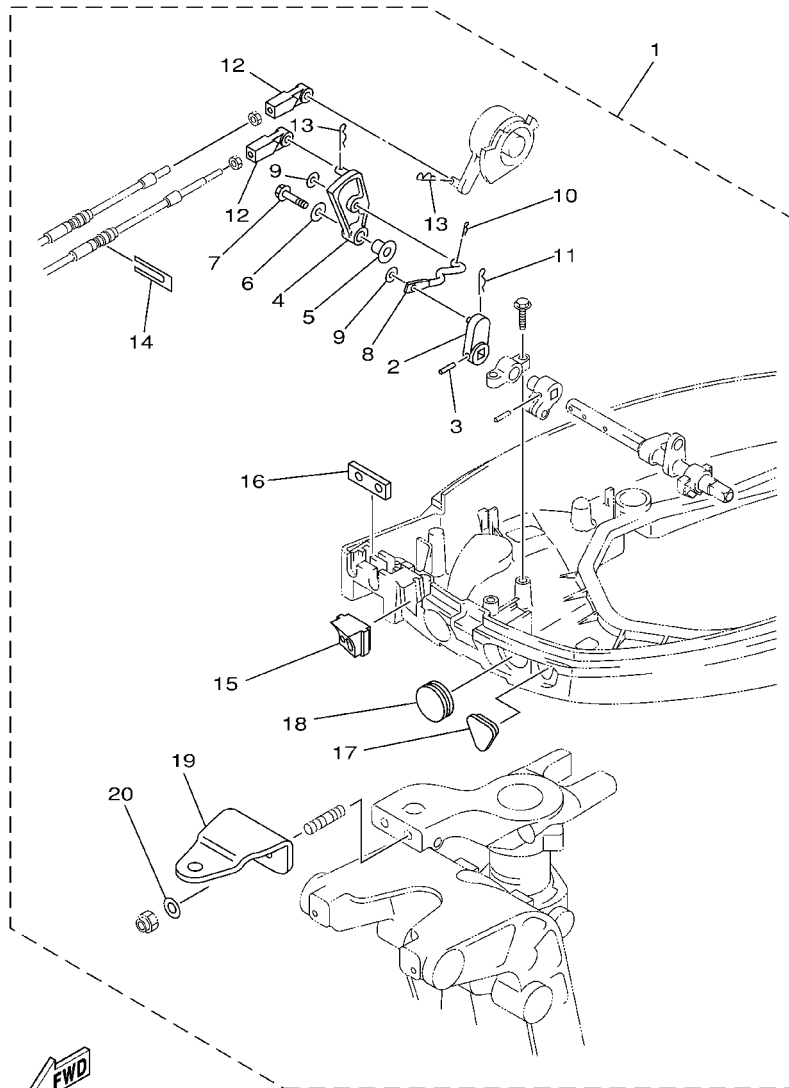
COMMANDE

REF. NO.	PART NO. NO. PIECES	DESCRIPTION DESCRIPTION	MH	E	ET	REMARKS REMARQUES
27	97095-06025	BOLT BOULON		1	1	
28	92995-06600	WASHER RONDELLE		1	1	
29	65W-44192-00	JOINT, ROD 1 RACCORD 1, BIELLETTE		1	1	
30	90201-05M06	WASHER, PLATE RONDELLE, PLATE		2	2	
31	90468-10005	CLIP JONC		1	1	
32	90468-18008	CLIP JONC		1	1	
33	663-48344-00	CABLE END, REMOTE CONTROL CHAPE CABLE		2	2	
34	90468-18008	CLIP JONC		2	2	
35	6H3-48538-00	CLAMP, CABLE 1 COLLIER		1	1	



FIG. 19 REMOTE CONTROL ATTACHMENT

COMMANDE A DISTANCE

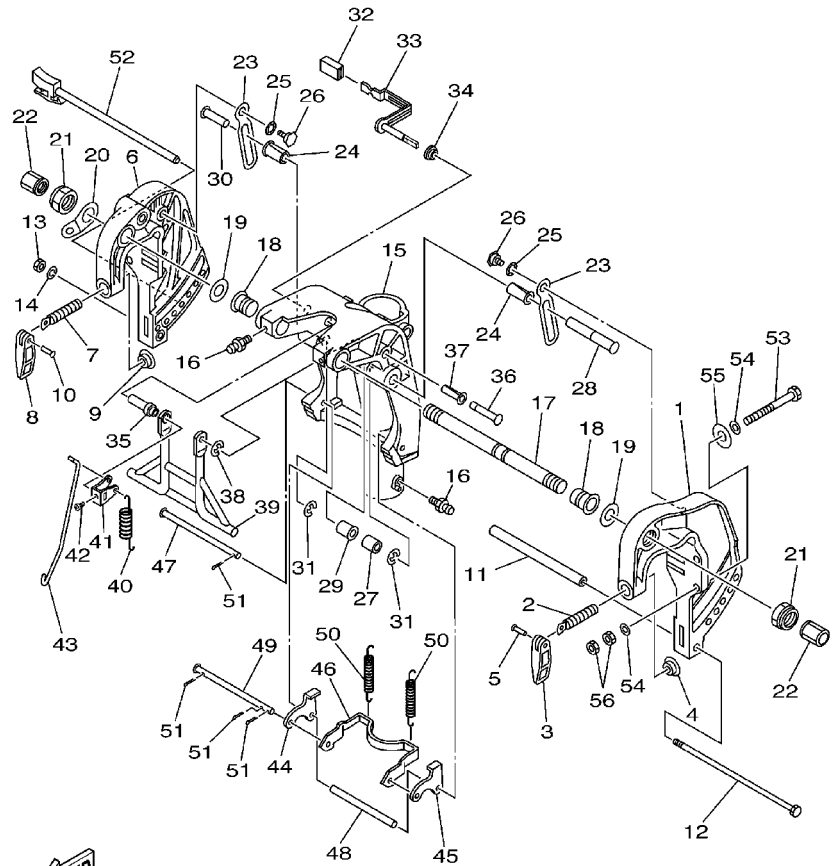


65W0010-9200

REF. NO.	PART NO. NO. PIECES	DESCRIPTION DESCRIPTION	MH	E	ET	REMARKS REMARQUES
1	65W-48501-00	REMOTE CONT. ATTACHMENT ASSY. COMMANDE A DISTANCE (KIT)	1			AP
2	65W-44142-00	.JOINT .AXE	1			
3	90254-03M05	.PIN, SPRING .RIVET, TETE TRONCONIQUE	1			
4	65W-44125-00	.LEVER, SHIFT ROD .LEVIER, TIGE D'INVERSION	1			
5	90387-06M29	.COLLAR .COLLERETTE	1			
6	90201-06M31	.WASHER, PLATE .RONDELLE, PLATE	1			
7	97595-06525	.BOLT, WITH WASHER .VIS HEXAGONAL AVC RONDELLE	1			
8	65W-44192-00	.JOINT, ROD 1 .RACCORD 1, BIELLETTE	1			
9	90201-05M06	.WASHER, PLATE .RONDELLE, PLATE	2			
10	90468-10005	.CLIP .JONC	1			
11	90468-18008	.CLIP .JONC	1			
12	663-48344-00	.CABLE END, REMOTE CONTROL .CHAPE CABLE	2			
13	90468-18008	.CLIP .JONC	2			
14	6H3-48538-00	.CLAMP, CABLE 1 .COLLIER	1			
15	65W-42725-20	.GROMMET .PASSE-FIL	1			
16	62Y-42727-00	.GROMMET .PASSE-FIL	1			
17	65W-26326-10	.GROMMET .RONDELLE CAOUTCHOUC	1			
18	65W-42726-10	.GROMMET .PASSE-FIL	1			
19	65W-48511-00	.HOOK, STEERING .ATTACHE, DIRECTION	1			
20	90201-10120	.WASHER, PLATE .RONDELLE, PLATE	2			

FIG. 20 BRACKET 1

SUPPORT 1

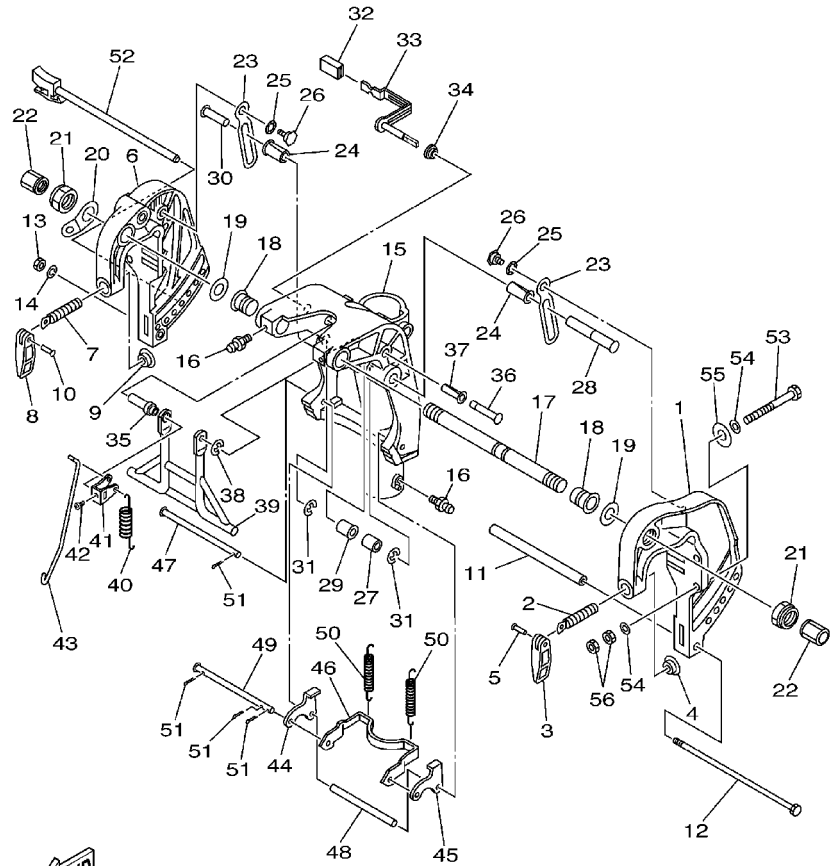


65W1010-2210

REF. NO.	PART NO. NO. PIECES	DESCRIPTION DESCRIPTION	MH	E	ET	REMARKS REMARQUES
1	65W-43111-02-4D	BRACKET, CLAMP PRESSE	1	1		
2	90149-14M12	SCREW VIS	1	1		
3	663-43118-01-4D	HANDLE, TRANSOM CLAMP POIGNEE DE VIS DE PRESSE	1	1		
4	648-43114-01	PAD, TRANSOM CLAMP RONDELLE D'APPUI	1	1		
5	90243-04007	PIN GOUPILLE	1	1		
6	65W-43112-02-4D	BRACKET, CLAMP PRESSE	1	1		
7	90149-14M12	SCREW VIS	1	1		
8	663-43118-01-4D	HANDLE, TRANSOM CLAMP POIGNEE DE VIS DE PRESSE	1	1		
9	648-43114-01	PAD, TRANSOM CLAMP RONDELLE D'APPUI	1	1		
10	90243-04007	PIN GOUPILLE	1	1		
11	90387-08M29	COLLAR COLLERETTE	1	1		
12	90101-08M76	BOLT BOULON	1	1		
13	95380-08600	NUT ECROU	1	1		
14	92990-08100	WASHER, SPRING RONDELLE, GROWER	1	1		
15	65W-43311-00-4D	BRACKET, SWIVEL 1 SUPPORT, PIVOT 1	1	1		S
	65W-43311-10-4D	BRACKET, SWIVEL 1 SUPPORT, PIVOT 1	1	1		L
16	93700-06M03	NIPPLE, GREASE PION	3	3		
17	63D-43131-01	BOLT, CLAMP BRACKET BOULON, PRESSE	1	1		
18	90386-22M15	BUSH DOUILLE	2	2		
19	90201-22M03	WASHER, PLATE RONDELLE, PLATE	2	2		
20	6J8-43113-01	PLATE, CLAMP BRACKET PLAQUETTE, PRESSE	1	1		
21	90185-22M11	NUT, SELF-LOCKING ECROU, AUTO-BLOCANT	2	2		
22	6G5-43145-01	CAP, CLAMP BRACKET CAPUCHON, PRESSE	2	2		
23	65W-43627-01	STOPPER PLAQUETTE	2	2		
24	90386-12M98	BUSH DOUILLE	2	2		
25	90206-14M23	WASHER, WAVE RONDELLE, ONDULEE	2	2		
26	90109-08M87	BOLT BOULON	2	2		

FIG. 20 BRACKET 1

SUPPORT 1



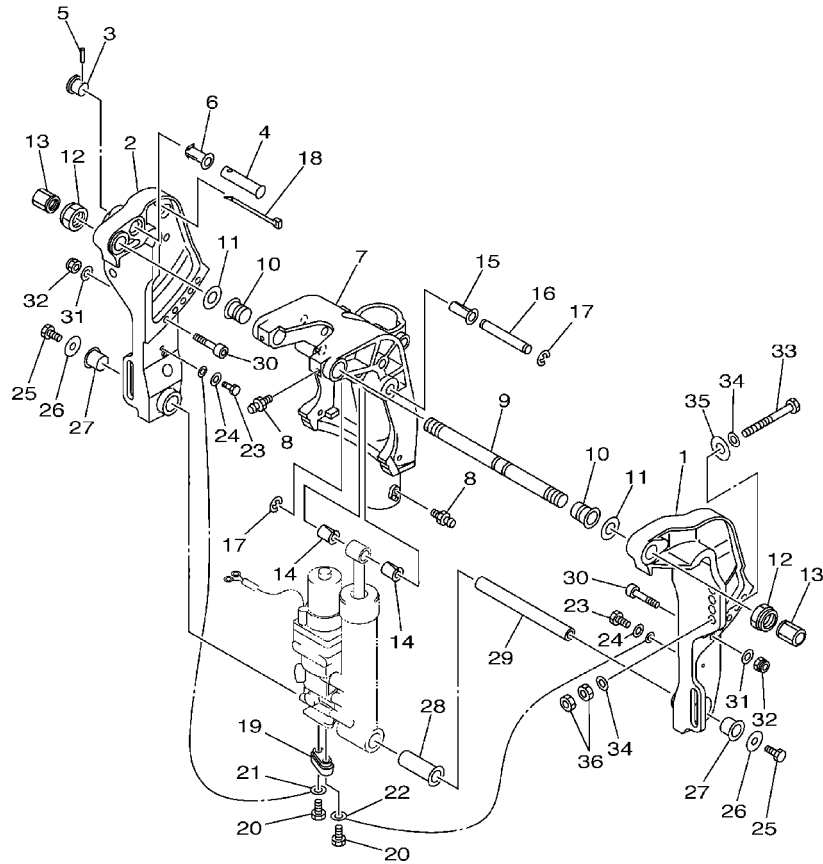
65W1010-2210

REF. NO.	PART NO. NO. PIECES	DESCRIPTION DESCRIPTION	MH	E	ET	REMARKS REMARQUES
27	90387-12M04	COLLAR COLLERETTE	1	1		
28	90249-12M39	PIN GOUVILLE	1	1		
29	90386-12MA0	BUSH DOUILLE	1	1		
30	90249-12M34	PIN GOUVILLE	1	1		
31	93430-10M00	CIRCLIP CLIPS	2	2		
32	682-43318-01	COVER CAPUCHON	1	1		
33	65W-43630-11	TILT LEVER ASSY LEVIER D'INCLINAISON	1	1		
34	90386-07MA2	BUSH DOUILLE	1	1		
35	90387-07M05	COLLAR COLLERETTE	1	1		
36	90249-10M31	PIN GOUVILLE	1	1		
37	90386-10M99	BUSH DOUILLE	1	1		
38	99080-08600	CIRCLIP CIRCLIP	1	1		
39	66T-43350-02	RECEIVER ASSY RECEIVER ASSY	1	1		
40	90506-20M37	SPRING, TENSION RESSORT, TENSION	1	1		
41	66T-43631-11	LEVER, TILT LEVIER, INCLINAISON	1	1		
42	90157-05014	SCREW, PAN HEAD VIS, TETE TRONCONIQUE	1	1		
43	65W-43616-00	ROD, TILT LOCK TIGE	1	1		
44	65W-43614-01	PLATE, TILT LOCK ETRIER, VERROUILLAGE MARCHE AR	1	1		
45	65W-43615-01	PLATE, TILT LOCK ETRIER, VERROUILLAGE MARCHE AR	1	1		
46	65W-43613-00	ARM, TILT LOCK GUIDE	1	1		
47	90249-07M32	PIN GOUVILLE	1	1		
48	90387-07M29	COLLAR COLLERETTE	1	1		
49	90249-07M33	PIN GOUVILLE	1	1		
50	90506-30M00	SPRING, TENSION RESSORT, TENSION	2	2		
51	91490-20015	PIN, COTTER GOUVILLE	4	4		
52	65W-43160-00	TILT ROD ASSY BROCHE D'INCLINAISON (ENS.)	1	1		
53	90101-10M58	BOLT BOULON		4		



FIG. 21 BRACKET 2

SUPPORT 2



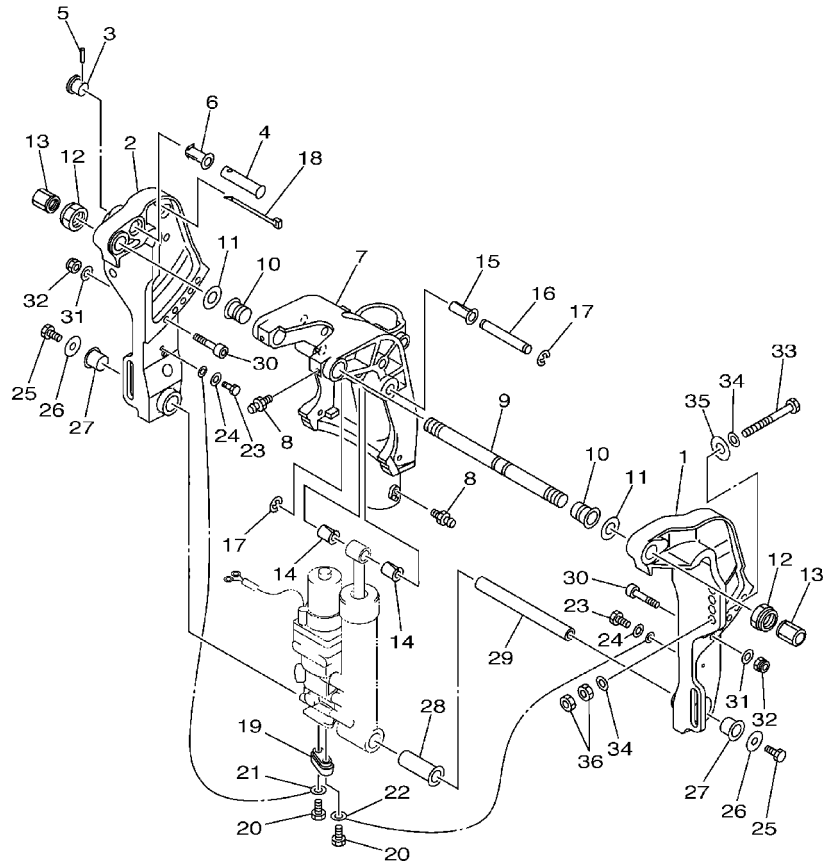
REF. NO.	PART NO. NO. PIECES	DESCRIPTION DESCRIPTION	MH	E	ET	REMARKS REMARQUES
1	65W-43111-10-4D	BRACKET, CLAMP PRESSE			1	
2	65W-43112-10-4D	BRACKET, CLAMP PRESSE			1	
3	65W-43192-00	KNOB, STOPPER BOUTON, BUTEE DE RELEVAGE			1	
4	65W-43191-00	SHAFT, STOPPER AXE, BUTEE			1	
5	91690-30018	PIN, SPRING AGRAFFE			1	
6	90386-14MA1	BUSH DOUILLE			1	
7	65W-43311-10-4D	BRACKET, SWIVEL 1 SUPPORT, PIVOT 1			1	L
8	93700-06M03	NIPPLE, GREASE PION			3	
9	63D-43131-01	BOLT, CLAMP BRACKET BOULON, PRESSE			1	
10	90386-22M15	BUSH DOUILLE			2	
11	90201-22M03	WASHER, PLATE RONDELLE, PLATE			2	
12	90185-22M11	NUT, SELF-LOCKING ECROU, AUTO-BLOCANT			2	
13	6G5-43145-01	CAP, CLAMP BRACKET CAPUCHON, PRESSE			2	
14	90386-12MA0	BUSH DOUILLE			2	
15	90386-12M98	BUSH DOUILLE			1	
16	90249-12M38	PIN GOUPILLE			1	
17	93430-10M00	CIRCLIP CLIPS			2	
18	90465-13M11	CLAMP BRIDE			2	
19	65W-45251-00	ANODE ANODE			1	
20	90101-06020	BOLT BOULON			2	
21	6H1-82148-00	WIRE, LEAD 4 FIL 4			1	
22	6U0-82127-00	WIRE, LEAD 2 FIL 2			1	
23	97095-06014	BOLT BOULON			2	
24	92995-06600	WASHER RONDELLE			2	
25	97080-08016	BOLT BOULON			2	
26	90201-08M00	WASHER, PLATE RONDELLE, PLATE			2	
27	90386-18M44	BUSH DOUILLE			2	



65W1010-2220

FIG. 21 BRACKET 2

SUPPORT 2

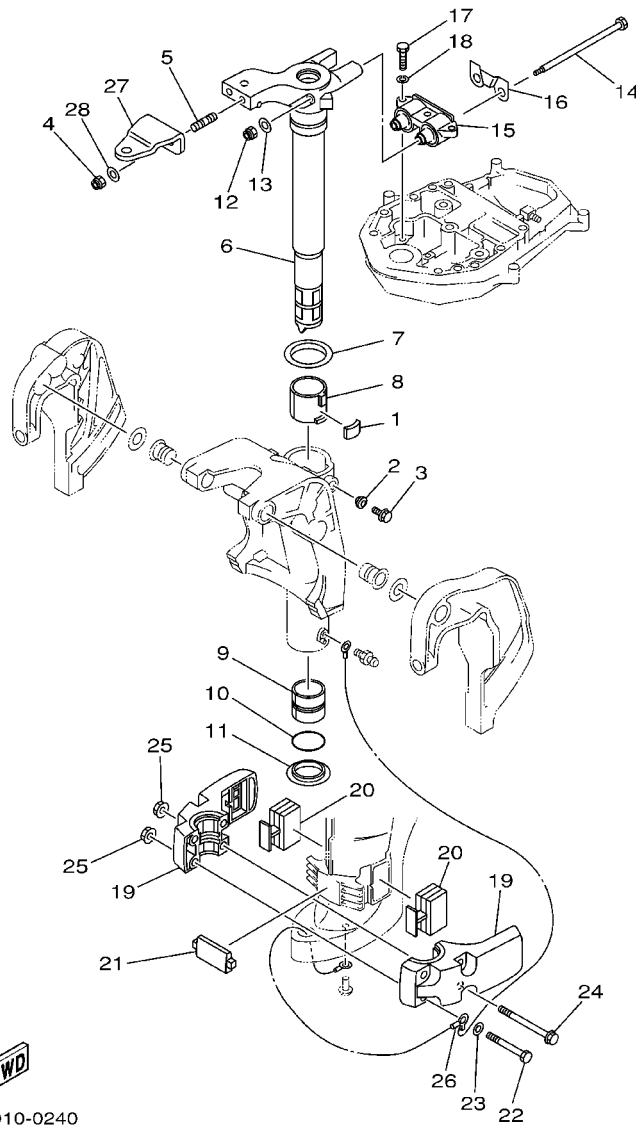


REF. NO.	PART NO. NO. PIECES	DESCRIPTION DESCRIPTION	MH	E	ET	REMARKS REMARQUES
28	90386-18MA0	BUSH DOUILLE			1	
29	90249-18M35	PIN GOUPILLE			1	
30	90110-10M02	BOLT, HEXAGON SOCKET HEAD BOULON, TETE HEXAGONALE CREUSE			2	
31	92995-10600	WASHER RONDELLE			2	
32	90185-10M13	NUT, SELF-LOCKING ECROU, AUTO-BLOCANT			2	
33	90101-12M65	BOLT BOULON			4	
34	92995-12200	WASHER RONDELLE			8	
35	90201-12426	WASHER, PLATE RONDELLE, PLATE			4	
36	95380-12600	NUT ECROU			8	
-----						
-----						
-----						
-----						
-----						
-----						
-----						
-----						
-----						
-----						

  
65W1010-2220

FIG. 22 BRACKET 3

SUPPORT 3

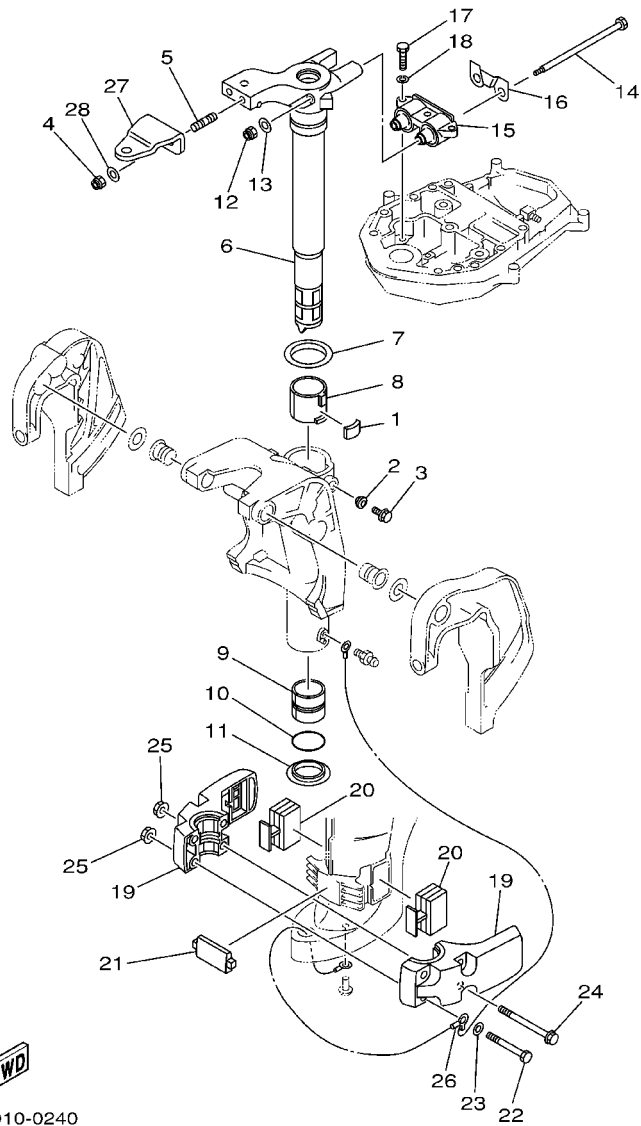


65W0010-0240

REF. NO.	PART NO. NO. PIECES	DESCRIPTION DESCRIPTION	MH	E	ET	REMARKS REMARQUES
1	648-42528-00	PLATE, FRICTION PLAQUE, FRICTION	1	1	1	
2	65W-43373-00	SEAL, DAMPER JOINT	1	1	1	
3	90105-08M76	BOLT, FLANGE BOULON	1	1	1	
4	90185-10051	NUT, SELF-LOCKING ECROU, AUTO-BLOCANT	2	2	2	
5	90116-10M28	BOLT, STUD GOUJON	2	2	2	
6	65W-42511-00-4D	BRACKET, STEERING CADRE, DIRECTION	1	1		S
	65W-42511-10-4D	BRACKET, STEERING CADRE, DIRECTION	1	1	1	L
7	90209-52M00	WASHER RONDELLE	1	1	1	
8	90386-52M02	BUSH DOUILLE	1	1	1	
9	90386-44M03	BUSH DOUILLE	1	1	1	
10	93210-43MJ0	O-RING JOINT TORIQUE	1	1	1	
11	90386-44M99	BUSH DOUILLE	1	1	1	
12	90185-08045	NUT, SELF-LOCKING ECROU, AUTO-BLOCANT	2	2	2	
13	92995-08200	WASHER RONDELLE	2	2	2	
14	90101-08M86	BOLT BOULON	2	2	2	
15	67C-44514-20-4D	MOUNT DAMPER, UPPER SIDE SILENT-BLOC, SUPERIEUR LATERAL	1	1	1	
16	66T-44526-30	PLATE PLAQUE	1	1	1	
17	97075-08030	BOLT BOULON	3	3	3	
18	92995-08100	WASHER RONDELLE	3	3	3	
19	65W-44551-11-4D	HOUSING, LOWER MOUNT RUBBER BOITIER, SILENT-BLOC INFERIEUR	2	2	2	
20	65W-44555-00	MOUNT DAMPER, LOWER SIDE SILENT-BLOC, INFERIEUR LATERAL	2	2	2	
21	65W-44575-01	DAMPER, LOWER MOUNT RUBBER SILENT-BLOC, INFERIEUR	1	1	1	
22	97075-10080	BOLT BOULON	2	2	2	
23	92995-10600	WASHER RONDELLE	2	2	2	
24	90119-10M14	BOLT, WITH WASHER BOULON, AVEC RONDELLE	2	2	2	
25	90179-10M33	NUT ECROU	4	4	4	
26	65W-82127-10	WIRE, LEAD 2 FIL 2	1	1	1	

FIG. 22 BRACKET 3

SUPPORT 3

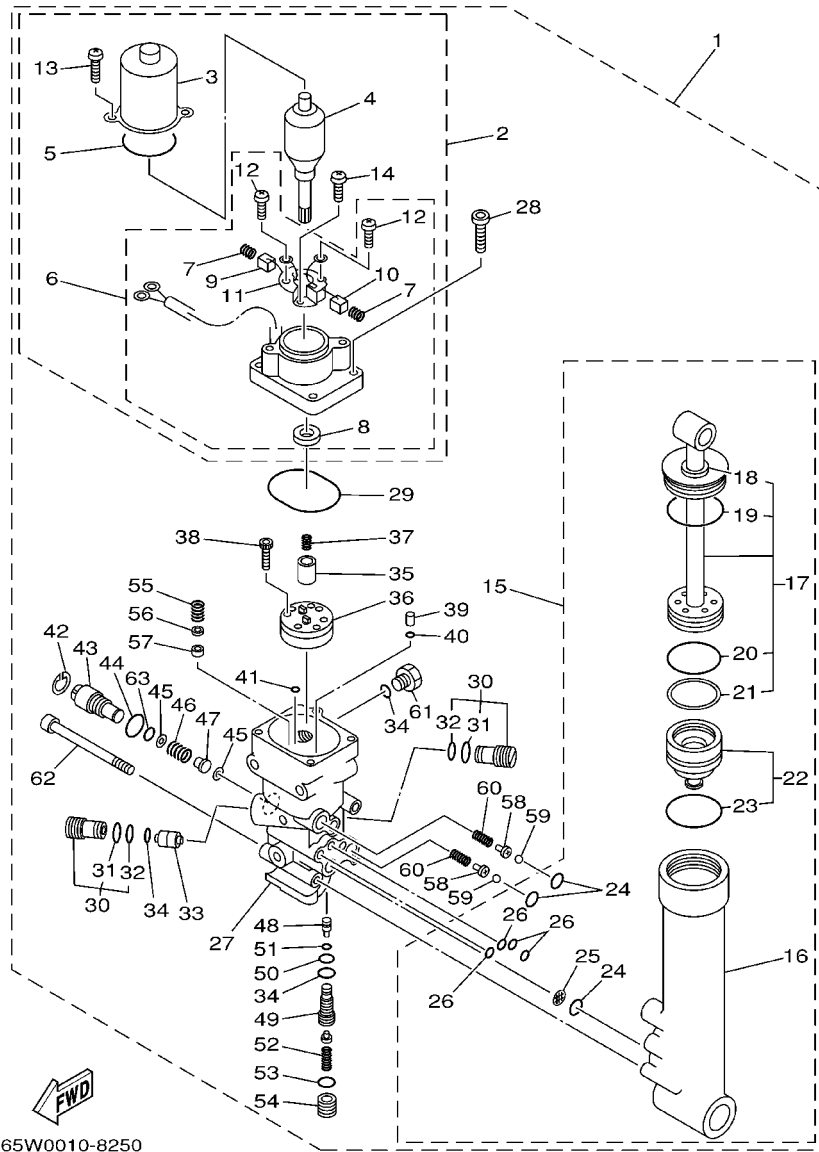


REF. NO.	PART NO. NO. PIECES	DESCRIPTION DESCRIPTION	MH	E	ET	REMARKS REMARQUES
27	65W-48511-00	HOOK, STEERING ATTACHE, DIRECTION		1	1	
28	90201-10120	WASHER, PLATE RONDELLE, PLATE		2	2	
-----						
-----						
-----						
-----						
-----						
-----						
-----						



FIG. 23 POWER TRIM & TILT ASSY

PUISSANCE PARER ET INCLINER

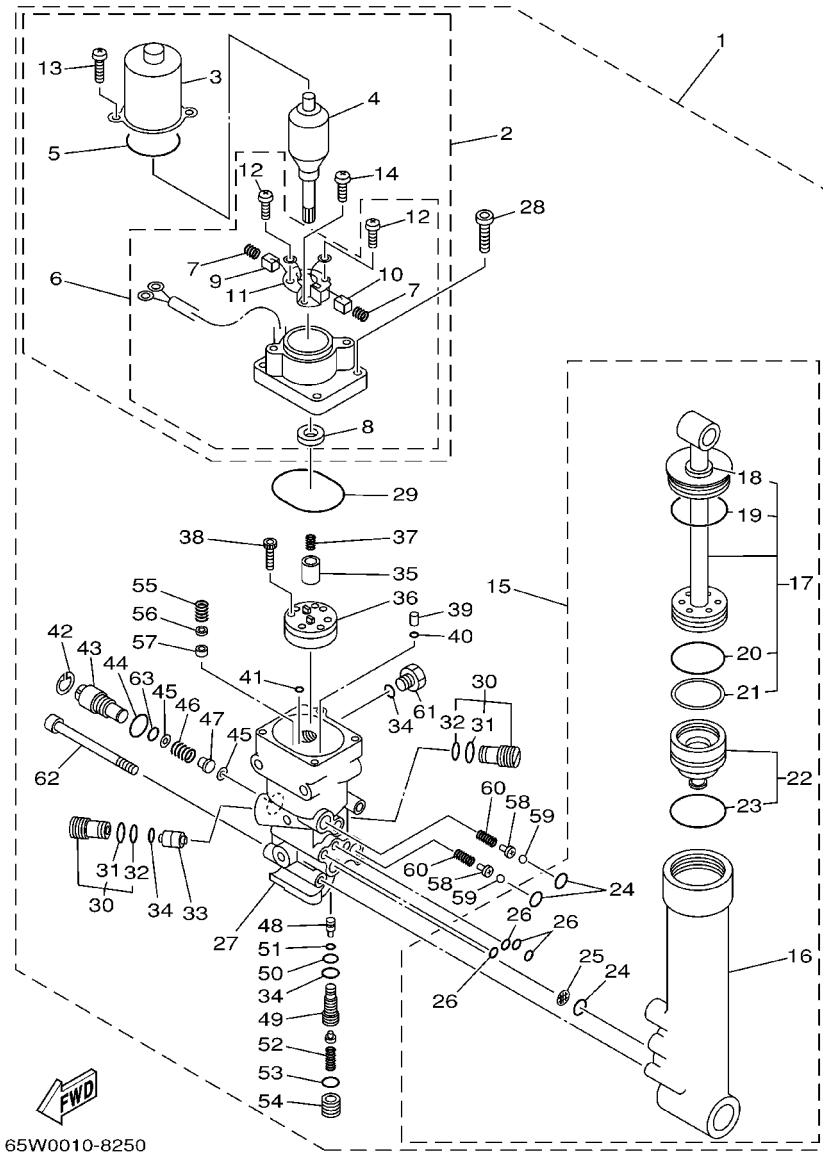


65W0010-8250

REF. NO.	PART NO. NO. PIECES	DESCRIPTION DESCRIPTION	MH	E	ET	REMARKS REMARQUES
1	65W-43800-02-4D	POWER TRIM & TILT ASSY PUISSANCE PARER ET INCLINER (ENS.)			1	
2	65W-43880-00	..MOTOR ASSY ..MOTEUR (ENS.)			1	
3	65W-43804-00	..STATOR ASSY ..STATOR (ENS.)			1	
4	65W-43805-00	..ARMATURE ASSY ..INDUIT (ENS.)			1	
5	65W-43869-00	..O-RING ..JOINT TORIQUE			1	
6	65W-43881-00	..FRAME, END ..BATI			1	
7	65W-4386K-00	...SPRING, BRUSH ...RESSORT, BALAI			2	
8	65W-43882-00	...OIL SEAL ...JOINT SPI			1	
9	65W-43892-00	...BRUSH 2 ...BALAI 2			1	
10	65W-43891-00	...BRUSH 1 ...BALAI 1			1	
11	65W-4380F-00	...PLATE, BRUSH HOLDER ...PLAQUE			1	
12	65W-43879-00	...SCREW, WITH WASHER ...VIS, AVEC RONDELLE			2	
13	65W-43887-00	..BOLT, THROUGH ..BOULON			2	
14	65W-4388E-00	..BOLT ..BOULON			1	
15	65W-43840-00	..POWER TILT ASSY ..PUISSANCE INCLINER (ENS.)			1	
16	65W-4380K-00	..CYLINDER, TILT SUB ASSY ..CYLINDRE			1	
17	65W-43810-00	..TILT PISTON SUB ASSY ..INCLINER PISTON AUXILIAIRE(E			1	
18	65W-43812-00	...SEAL, DUST ...JOINT			1	
19	65W-43865-00	...O-RING ...JOINT TORIQUE			1	
20	6H1-43861-10	...O-RING ...JOINT TORIQUE			1	
21	65W-43871-00	...RING, BACK UP ...SEGMENT			1	
22	65W-4381B-00	..FREE PISTON SUB ASSY ..PISTON AUXILIAIRE (ENS.)			1	
23	6H1-43861-10	...O-RING ...JOINT TORIQUE			1	
24	93210-11368	..O-RING ..JOINT TORIQUE			3	
25	6H1-43816-00	..FILTER 1 ..FILTRE 1			1	
26	93210-064A5	..O-RING ..JOINT TORIQUE			4	
27	65W-4380L-00	..HOUSING, TRIM & TILT SUB ASSY ..CARTER			1	

FIG. 23 POWER TRIM & TILT ASSY

PUISSANCE PARER ET INCLINER

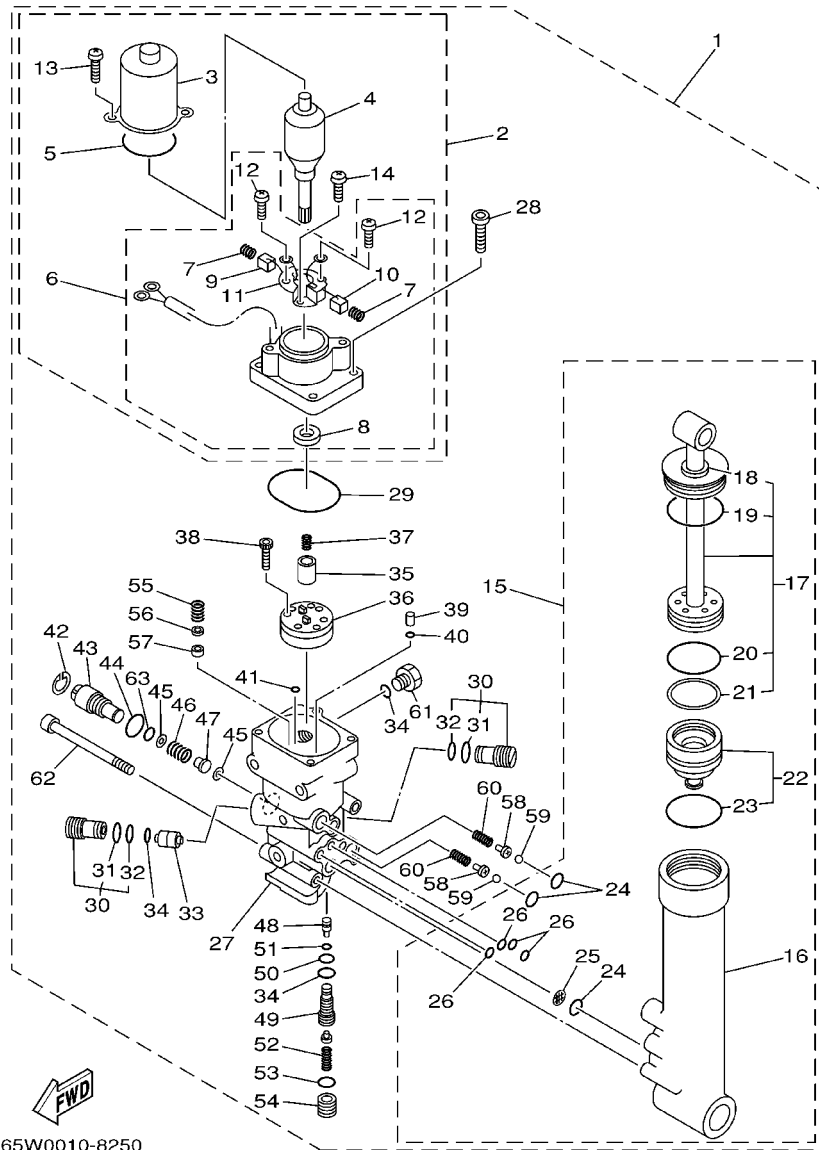


65W0010-8250

REF. NO.	PART NO. NO. PIECES	DESCRIPTION DESCRIPTION	MH	E	ET	REMARKS REMARQUES
28	65W-43888-00	.BOLT, SOCKET .BOULON			4	
29	93210-50768	.O-RING .JOINT TORIQUE			1	
30	6T4-43802-03	.VALVE SUB ASSY .CLAPET AUXILIAIRE (ENS.)			2	
31	6H1-43866-00	.O-RING .JOINT TORIQUE			1	
32	6H1-43867-00	.O-RING .JOINT TORIQUE			1	
33	62X-43841-00	.PISTON, SHUTTLE .PISTON			1	
34	93210-09165	.O-RING .JOINT TORIQUE			3	
35	65W-43831-00	.CONNECTOR, SHAFT .RACCORD			1	
36	65W-43830-00	.GEAR PUMP ASSY .POMPE A PIGNON (ENS.)			1	
37	6T4-43853-00	.SPRING, MAIN VALVE .RESSORT			1	
38	91318-04025	.BOLT .BOULON			4	
39	65W-43817-00	.FILTER 2 .FILTRE 2			2	
40	65W-43861-00	.O-RING .JOINT TORIQUE			2	
41	65W-43862-00	.O-RING .JOINT TORIQUE			2	
42	6H1-43875-00	.RING, SNAP .RESSORT			1	
43	6H1-43845-00	.SCREW, MANUAL RELEASE .VIS			1	
44	93210-18397	.O-RING .JOINT TORIQUE			1	
45	6H1-43847-00	.SEAT, MANUAL VALVE .SIEGE			2	
46	65W-43854-00	.SPRING, MANUAL RELEASE .RESSORT			1	
47	65W-4382A-00	.ADAPTOR 1 .ADAPTEUR 1			1	
48	65W-43844-00	.PIN, VALVE SUPPORT .GOUILLE			1	
49	65W-43851-00	.SEAT, RELIEF VALVE .SIEGE			1	
50	93210-08006	.O-RING .JOINT TORIQUE			1	
51	93210-03478	.O-RING .JOINT TORIQUE			1	
52	65W-43855-00	.SPRING, UP RELIEF .RESSORT			1	
53	93210-11073	.O-RING .JOINT TORIQUE			1	
54	65W-43843-00	.SCREW, VALVE LOCK .VIS			1	

FIG. 23 POWER TRIM & TILT ASSY

PUISSANCE PARER ET INCLINER

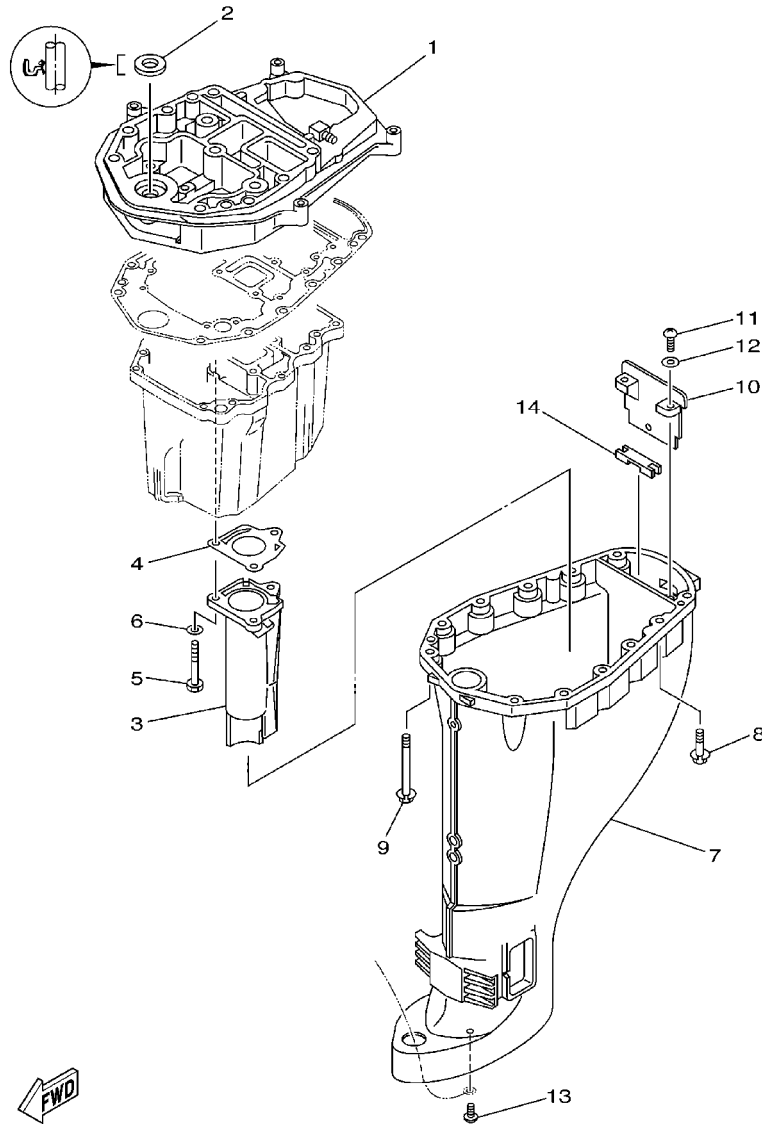


65W0010-8250

REF. NO.	PART NO. NO. PIECES	DESCRIPTION DESCRIPTION	MH	E	ET	REMARKS REMARQUES
55	6H1-43856-10	.SPRING, DOWN RELIEF .RESSORT			1	
56	6H1-43844-10	.PIN, VALVE SUPPORT .GOUPILLE			1	
57	6H1-4384F-10	.SEAL, MAIN VALVE .JOINT			1	
58	65W-4386A-00	.PIN, ABSORBER VALVE .GOUPILLE, SOUPEPE			2	
59	93501-08001	.BALL .BILLE			2	
60	65W-43853-00	.SPRING, MAIN VALVE .RESSORT			2	
61	6H1-43829-00	.PLUG, RESERVOIR .BOUCHON			1	
62	62X-43878-00	.BOLT, SOCKET .BOULON			3	
63	93210-10M74	.O-RING .JOINT TORIQUE			1	

FIG. 24 UPPER CASING

FOURREAU

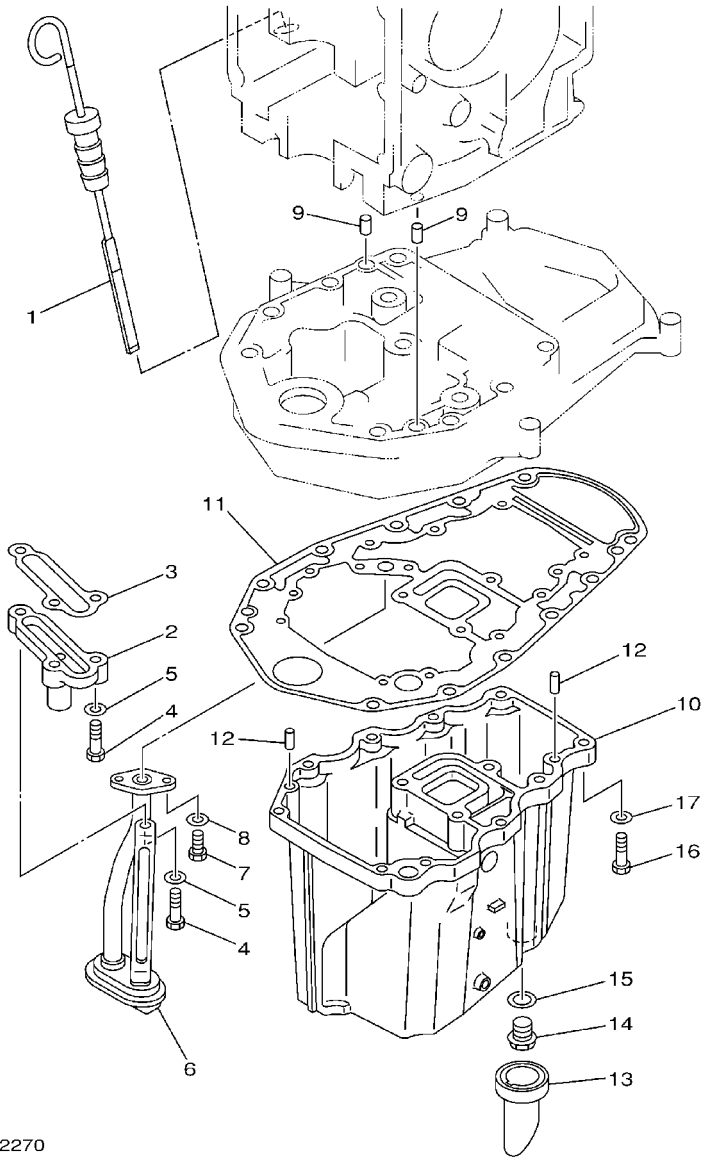


65W2100-3260

REF. NO.	PART NO. NO. PIECES	DESCRIPTION DESCRIPTION	MH	E	ET	REMARKS REMARQUES
1	65W-41137-04-94	GUIDE, EXHAUST COLLECTEUR D'ÉCHAPPEMENT	1	1	1	
2	93110-16004	OIL SEAL JOINT D'HUILE	1	1	1	
3	68U-41131-00-5B	MANIFOLD, EXT. 1 PIPE D'ÉCHAPPEMENT	1	1	1	
4	67C-41133-00	GASKET, EXHAUST MANIFOLD 1 JOINT, PIPE D'ÉCHAPPEMENT	1	1	1	
5	97075-06050	BOLT BOULON	3	3	3	
6	92995-06600	WASHER RONDELLE	3	3	3	
7	65W-45111-00-4D	CASING, UPPER FOURREAU	1	1		S
	65W-45111-10-4D	CASING, UPPER FOURREAU	1	1	1	L
8	90119-08M79	BOLT, WITH WASHER BOULON, AVEC RONDELLE	4	4	4	
9	90119-08M82	BOLT, WITH WASHER BOULON, AVEC RONDELLE	8	8	8	
10	65W-45151-00	COVER, UPPER CASING CAPUCHON, FOURREAU	1	1	1	
11	97880-05016	SCREW, PAN HEAD VIS, TÊTE TRONCONIQUE	2	2	2	
12	92990-05600	WASHER, PLATE RONDELLE, PLATE	2	2	2	
13	90157-06M06	SCREW, PAN HEAD VIS, TÊTE TRONCONIQUE	1	1	1	
14	65W-45128-00	SEAL 2 JOINT 2	1	1	1	

FIG. 25 OIL PAN

VENTILATEUR D'HUILE



REF. NO.	PART NO. NO. PIECES	DESCRIPTION DESCRIPTION	MH	E	ET	REMARKS REMARQUES
1	65W-15362-01	PLUG, OIL LEVEL PLOT, NIVEAU D'HUILE	1	1	1	
2	62Y-11575-00	RELIEF VALVE ASSY SOUPAPE DE RENTREE D'AIR	1	1	1	
3	62Y-13475-00	GASKET JOINT	1	1	1	
4	97013-06025	BOLT BOULON	3	3	3	
5	92903-06600	WASHER, PLATE RONDELLE, PLATE	3	3	3	
6	65W-13411-00	STRAINER, OIL FILTRE, HUILE	1	1	1	
7	97013-06016	BOLT BOULON	2	2	2	
8	92903-06600	WASHER, PLATE RONDELLE, PLATE	2	2	2	
9	93608-12M05	PIN, DOWEL AXE	2	2	2	
10	65W-15311-01-5B	OIL PAN VENTILATEUR D'HUILE	1	1	1	
11	69W-15312-00	GASKET, OIL PAN JOINT DE VENTILATEUR D'HUILE	1	1	1	
12	93606-12019	PIN, DOWEL GOUPILLE	4	4	4	
13	65W-15316-00	DAMPER, ENGINE MOUNT 1 AMORTISSEUR DE SUPPORT	1	1	1	
14	90340-14M06	PLUG, STRAIGHT SCREW PLOT, FILETE DROIT	1	1	1	
15	90430-14M09	GASKET JOINT	1	1	1	
16	97075-06025	BOLT BOULON	10	10	10	
17	92995-06600	WASHER RONDELLE	10	10	10	

65W1010-2270

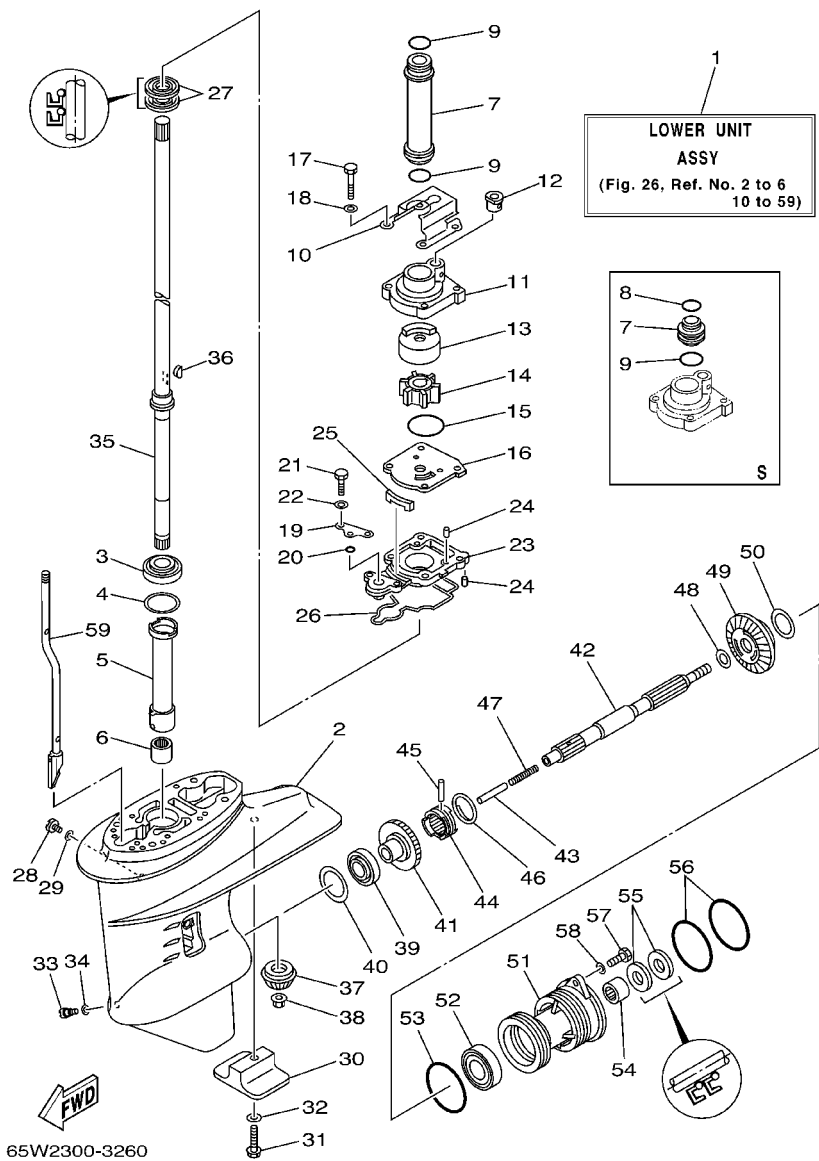


FIG. 26 LOWER CASING. DRIVE 1

BOITIER D'HELICE, TRANSMISSION 1

REF. NO.	PART NO. NO. PIECES	DESCRIPTION DESCRIPTION	MH	E	ET	REMARKS REMARQUES
1	65W-45300-00-4D	LOWER UNIT ASSY	1	1		S
	65W-45300-10-4D	LOWER UNIT ASSY	1	1	1	L
	65W-45300-10-4D	UNITE INFERIEURE (ENS.)				
2	61N-45311-02-4D	CASING, LOWER	1	1	1	
	61N-45311-02-4D	BOITIER D'HELICE				
3	93332-000W5	BEARING	1	1	1	
	93332-000W5	ROULEMENT				
4	61N-45587-00-07	SHIM (T:0.7MM)	1	1	1	UR
	61N-45587-00-07	CALE(T:0.7MM)				
61N-45587-00-10	SHIM (T:1.0MM)	1	1	1	UR	
	61N-45587-00-10	CALE(T:1.0MM)				
61N-45587-00-11	SHIM (T:1.1MM)	1	1	1	UR	
	61N-45587-00-11	CALE(T:1.1MM)				
61N-45587-00-12	SHIM (T:1.2MM)	1	1	1	UR	
	61N-45587-00-12	CALE(T:1.2MM)				
61N-45587-00-13	SHIM (T:1.3MM)	1	1	1	UR	
	61N-45587-00-13	CALE(T:1.3MM)				
61N-45587-00-14	SHIM (T:1.4MM)	1	1	1	UR	
	61N-45587-00-14	CALE(T:1.4MM)				
61N-45587-00-15	SHIM (T:1.5MM)	1	1	1	UR	
	61N-45587-00-15	CALE(T:1.5MM)				
61N-45587-00-16	SHIM (T:1.6MM)	1	1	1	UR	
	61N-45587-00-16	CALE(T:1.6MM)				
5	61N-45536-00	SLEEVE, DRIVE SHAFT	1	1	1	
	61N-45536-00	MANCHON, ARBRE MOTEUR				
6	93315-220V7	BEARING	1	1	1	
	93315-220V7	ROULEMENT				
7	61N-44362-00	TUBE, WATER	1	1		S
	61N-44362-00	TUBE D'EAU				
61N-44362-10	TUBE, WATER	1	1	1	L	
	61N-44362-10	TUBE D'EAU				
8	93210-22164	O-RING	1	1		S
	93210-22164	JOINT TORIQUE				
9	93210-26130	O-RING	1	1		S
	93210-26130	JOINT TORIQUE				
93210-26130	O-RING	2	2	2	L	
	93210-26130	JOINT TORIQUE				
10	65W-44328-11	PLATE	1	1	1	L
	65W-44328-11	PLAQUETTE				
11	61N-44311-01	HOUSING, WATER PUMP	1	1	1	
	61N-44311-01	CORPS, POMPE A EAU				
12	6L2-44367-00	DAMPER, WATER SEAL	1	1	1	
	6L2-44367-00	JOINT TUBE D'EAU				
13	61N-44322-01	INSERT, CARTRIDGE	1	1	1	
	61N-44322-01	CUVETTE				
14	6H4-44352-02	IMPELLER	1	1	1	
	6H4-44352-02	TURBINE				
15	93210-45161	O-RING	1	1	1	
	93210-45161	JOINT TORIQUE				
16	61N-44323-00	OUTER PLATE, CARTRIDGE	1	1	1	
	61N-44323-00	PLAQUE EXTERIEURE				
17	97095-06040	BOLT	4	4	4	
	97095-06040	BOULON				

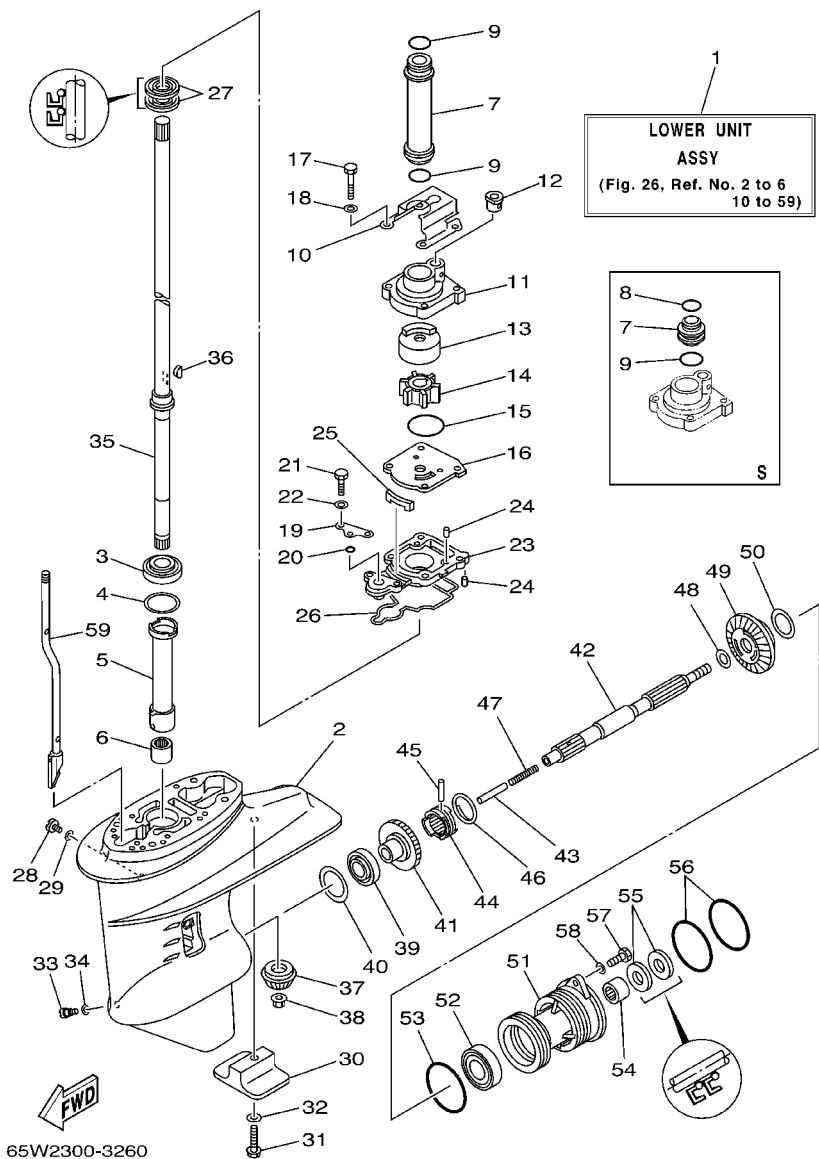


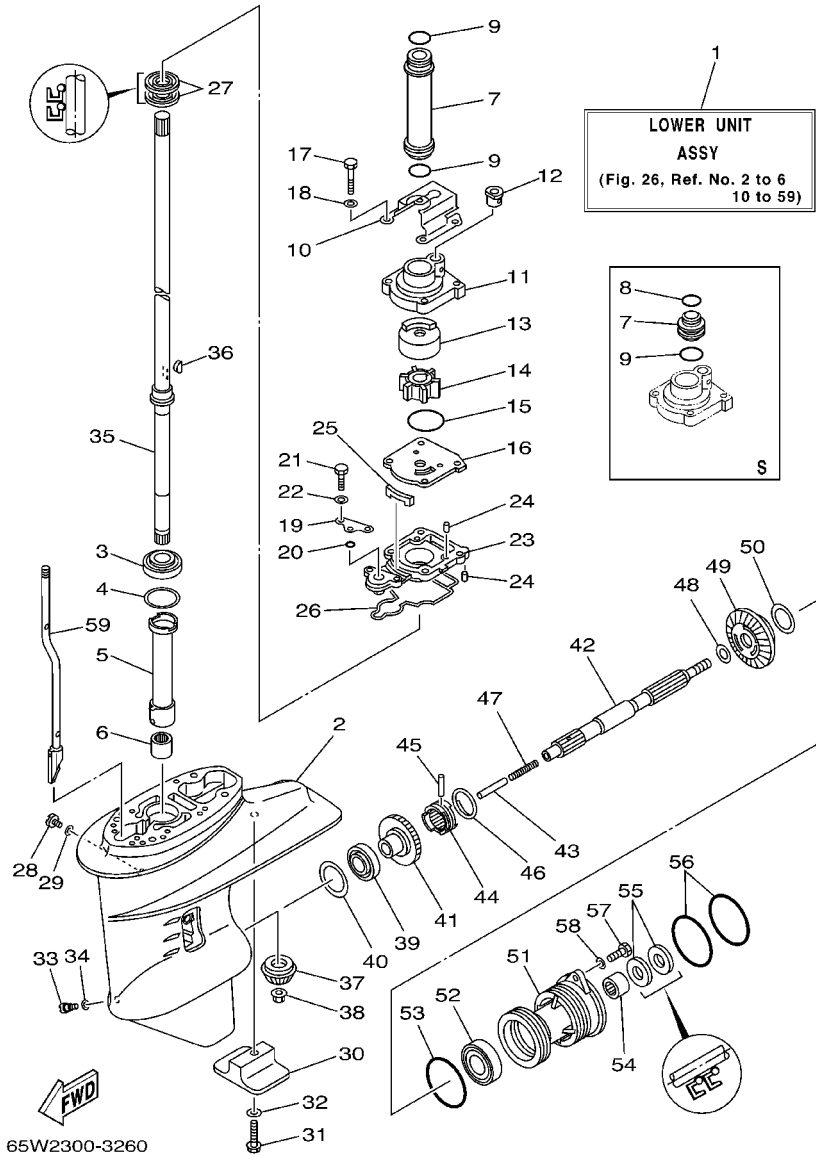
FIG. 26 LOWER CASING. DRIVE 1

BOITIER D'HELICE, TRANSMISSION 1

REF. NO.	PART NO. NO. PIECES	DESCRIPTION DESCRIPTION	MH	E	ET	REMARKS REMARQUES
18	92995-06600	WASHER RONDELLE	4	4	4	
19	65W-44176-00	BRACKET SUPPORT	1	1	1	
20	93210-06ME6	O-RING JOINT TORIQUE	1	1	1	
21	97095-06025	BOLT BOULON	2	2	2	
22	92995-06600	WASHER RONDELLE	2	2	2	
23	65W-45331-00-5B	HOUSING, BEARING FLASQUE, ROULEMENT	1	1	1	
24	93604-10M03	PIN, DOWEL CLAVETTE	3	3	3	
25	61N-45127-00	SEAL JOINT	1	1	1	
26	61N-45315-00	PACKING, LOWER CASING JOINT, BOITIER D'HELICE	1	1	1	
27	93101-22067	OIL SEAL JOINT SPY	2	2	2	
28	90340-08002	PLUG, STRAIGHT SCREW PLOT, FILETE DROIT	1	1	1	
29	90430-08020	GASKET JOINT	1	1	1	
30	61N-45251-01	ANODE ANODE	1	1	1	
31	95895-06035	BOLT, FLANGE BOULON	1	1	1	
32	92990-06300	WASHER, INTERNAL TOOTH RONDELLE, DENTURE INTERNE	1	1	1	
33	688-45341-10	PLUG, DRAIN BOUCHON DE VIDANGE	1	1	1	
34	90430-08020	GASKET JOINT	1	1	1	
35	61N-45510-00	DRIVE SHAFT ASSY ARBRE MOTEUR (ENS.)	1	1		S
	61N-45510-10	DRIVE SHAFT ASSY ARBRE MOTEUR (ENS.)	1	1	1	L
36	90280-03024	KEY, WOODRUFF CLAVETTE, DEMI-LUNE	1	1	1	
37	61N-45551-00	PIÑÓN PIGNON D'ATTAQUE	1	1	1	
38	90179-10M14	NUT ECROU	1	1	1	
39	93332-00005	BEARING ROULEMENT	1	1	1	
40	6L2-45567-00-10	SHIM (T:1.0MM) CALE (T:1.0MM)	1	1	1	UR
	6L2-45567-00-11	SHIM (T:1.1MM) CALE (T:1.1MM)	1	1	1	UR
	6L2-45567-00-12	SHIM (T:1.2MM) CALE (T:1.2MM)	1	1	1	UR
	6L2-45567-00-13	SHIM (T:1.3MM) CALE (T:1.3MM)	1	1	1	UR

FIG. 26 LOWER CASING. DRIVE 1

BOITIER D'HELICE, TRANSMISSION 1

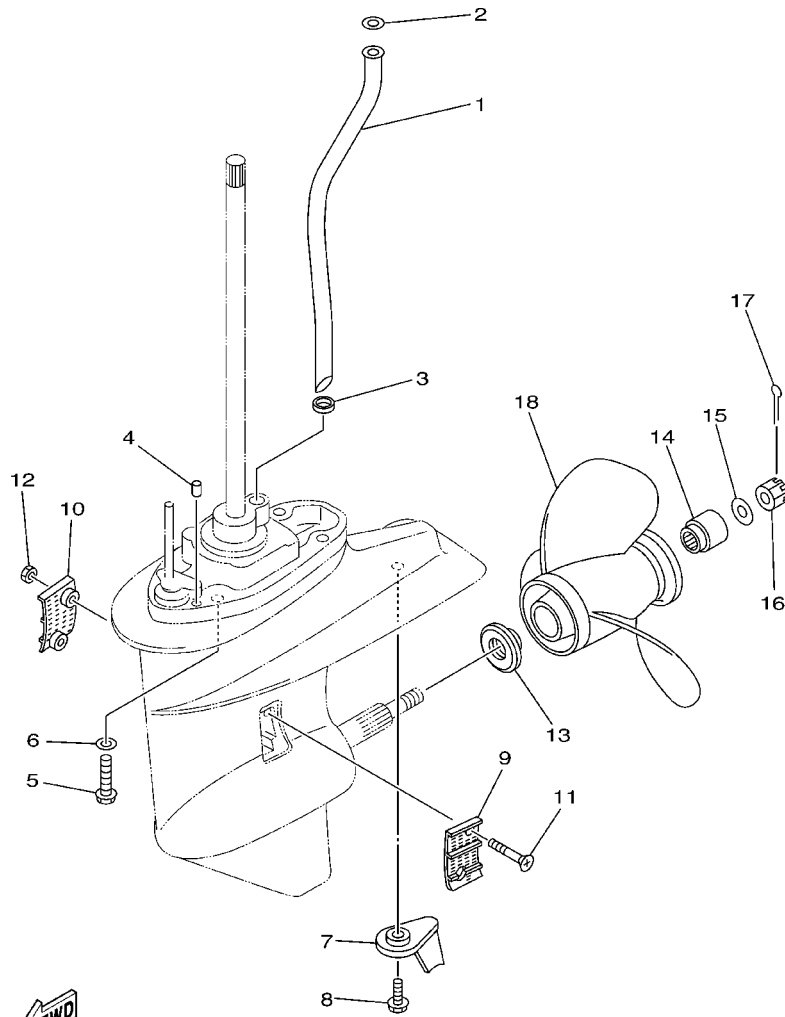


REF. NO.	PART NO. NO. PIECES	DESCRIPTION DESCRIPTION	MH	E	ET	REMARKS REMARQUES
40	6L2-45567-00-14	SHIM (T:1.4MM) CALE (T:1.4MM)	1	1	1	UR
41	61N-45560-00	GEAR PIGNON	1	1	1	
42	6L2-45611-00	SHAFT, PROPELLER ARBRE, HELICE	1	1	1	
43	648-45635-00	PLUNGER, SHIFT POUSSOIR D'EMBRAYAGE	1	1	1	
44	664-45631-02	CLUTCH, DOG CRABOT	1	1	1	
45	90250-05010	PIN, STRAIGHT GOUPILLE, DROITE	1	1	1	
46	648-45633-00	RING, CROSS PIN JONC, GOUPILLE CRABOT	1	1	1	
47	90501-10065	SPRING, COMPRESSION RESSORT, COMPRESSION	1	1	1	
48	90201-20417	WASHER, PLATE RONDELLE, PLATE	1	1	1	
49	61N-45571-00	GEAR PIGNON	1	1	1	
50	6L2-45577-00-10	SHIM (T:1.0MM) CALE (T:1.0MM)	1	1	1	UR
	6L2-45577-00-11	SHIM (T:1.1MM) CALE (T:1.1MM)	1	1	1	UR
	6L2-45577-00-12	SHIM (T:1.2MM) CALE (T:1.2MM)	1	1	1	UR
	6L2-45577-00-13	SHIM (T:1.3MM) CALE (T:1.3MM)	1	1	1	UR
51	61N-45361-01-4D	CAP, LOWER CASING COUVERCLE, BOITIER D'HELICE	1	1	1	
52	93306-00612	BEARING ROULEMENT	1	1	1	
53	93210-64ME7	O-RING JOINT TORIQUE	1	1	1	
54	93315-22004	BEARING ROULEMENT	1	1	1	
55	93101-20M07	OIL SEAL JOINT SPY	2	2	2	
56	93210-65M50	O-RING JOINT TORIQUE	2	2	2	
57	97075-06020	BOLT BOULON	2	2	2	
58	92995-06600	WASHER RONDELLE	2	2	2	
59	65W-44150-00	SHIFT CAM ASSY CAME D'INVERSION	1	1		S
	65W-44150-10	SHIFT CAM ASSY CAME D'INVERSION	1	1	1	L



FIG. 27 LOWER CASING, DRIVE 2

BOITIER D'HELICE, TRANSMISSION 2

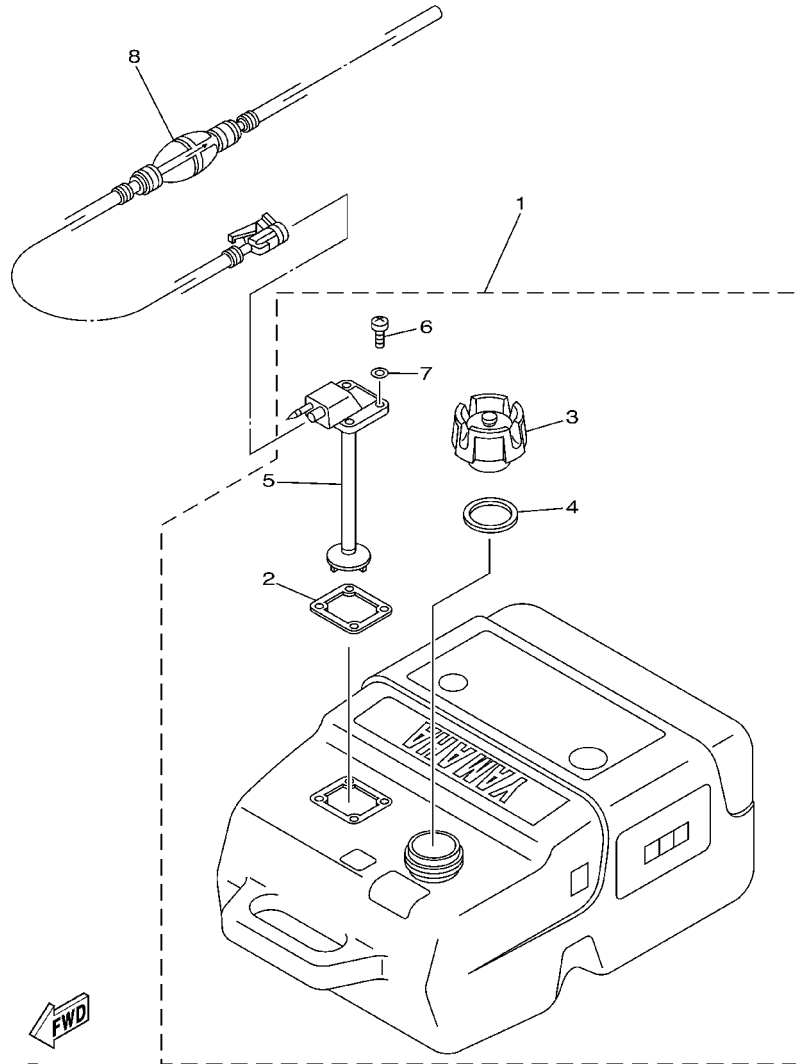


65W1100-2290

REF. NO.	PART NO. NO. PIECES	DESCRIPTION DESCRIPTION	MH	E	ET	REMARKS REMARQUES
1	65W-44361-01	TUBE, WATER TUBE D'EAU	1	1		S
	65W-44361-11	TUBE, WATER TUBE D'EAU	1	1	1	L
2	90202-12060	WASHER, PLATE RONDELLE, PLATE	1	1	1	
3	90430-10002	GASKET JOINT	1	1	1	
4	93606-11M24	PIN, DOWEL GOUVILLE	2	2	2	
5	90105-10M12	BOLT, FLANGE BOULON	4	4	4	
6	92995-10600	WASHER RONDELLE	4	4	4	
7	61N-45371-00	TAB-TRIM ANODE DERIVE	1	1	1	
8	90119-06M48	BOLT, WITH WASHER BOULON, AVEC RONDELLE	1	1	1	
9	6L2-45214-00	COVER, WATER INLET GRILLE, ENTREE D'EAU	1	1	1	
10	6L2-45215-00	COVER, WATER INLET GRILLE, ENTREE D'EAU	1	1	1	
11	90151-05M05	SCREW, COUNTERSUNK VIS, TETE NOYEE	2	2	2	
12	90185-05002	NUT, SELF-LOCKING ECROU, AUTO-BLOCANT	2	2	2	
13	6L2-45987-01	SPACER ENTRETOISE	1	1	1	
14	689-45997-00	SPACER ENTRETOISE	1	1	1	
15	92990-14200	WASHER, PLAIN RONDELLE, PLATE	1	1	1	
16	90171-14013	NUT, CASTLE ECROU, CRENELE	1	1	1	
17	91490-30022	PIN, COTTER GOUVILLE	1	1	1	
18	664-45941-01-EL	PROPELLER (3X9-7/8"X9"-F) HELICE (3X9-7/8"X9"-F)	1	1	1	UR
	664-45943-01-EL	PROPELLER (3X9-7/8"X8"-F) HELICE (3X9-7/8"X8"-F)	1	1	1	UR
	664-45945-00-EL	PROPELLER (3X9-7/8"X10-1/2"-F) HELICE (3X9-7/8"X10-1/2"-F)	1	1	1	UR
	664-45947-01-EL	PROPELLER (3X9-7/8"X11-1/4"-F) HELICE (3X9-7/8"X11-1/4"-F)	1	1	1	UR
	664-45949-02-EL	PROPELLER (3X9-7/8"X13"-F) HELICE (3X9-7/8"X13"-F)	1	1	1	UR
	664-45952-00-EL	PROPELLER (3X9-7/8"X14"-F) HELICE (3X9-7/8"X14"-F)	1	1	1	UR
	664-45954-00-EL	PROPELLER (3X9-7/8"X12"-F) HELICE (3X9-7/8"X12"-F)	1	1	1	UR
	664-45970-00-98	PROPELLER (3X9-1/8"X13"-F) HELICE (3X9-1/8"X13"-F)	1	1	1	UR STAINLESS STEEL, WEEDLESS
	664-45972-00-98	PROPELLER (3X9-1/8"X12"-F) HELICE (3X9-1/8"X12"-F)	1	1	1	UR STAINLESS STEEL, WEEDLESS

FIG. 28 FUEL TANK

RESERVOIR A CARBURANT

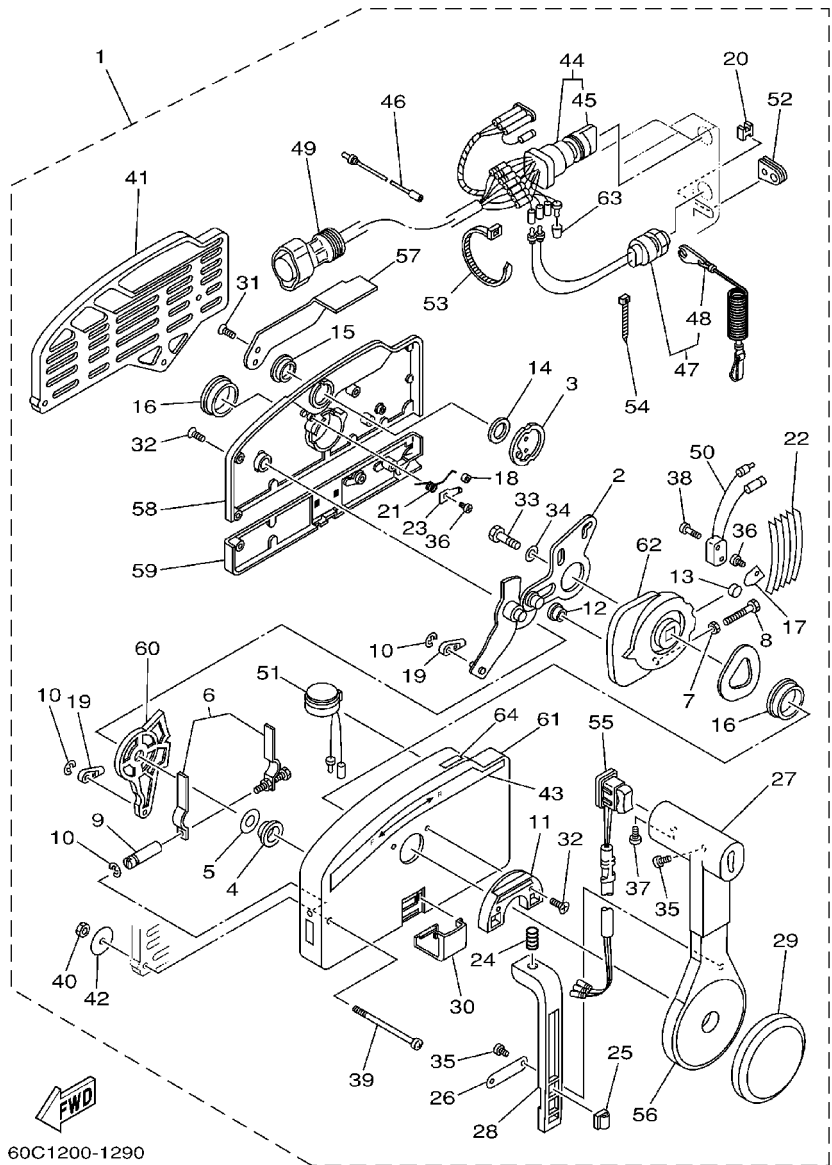


67F0300-9300

REF. NO.	PART NO. NO. PIECES	DESCRIPTION DESCRIPTION	MH	E	ET	REMARKS REMARQUES
1	6YK-24201-01	FUEL TANK ASSY RESERVOIR A ESSENCE (ENS.)	1	1	1	AP PLASTIC, 25L, "SCEPTER"
	6YK-24201-10	FUEL TANK ASSY (25L) RESERVOIR A ESSENCE (ENS.) 25L)	1	1	1	AP *ECM-"F25A ONLY"
2	6YL-24268-01	.GASKET, FUEL METER .JOINT, JAUGE A CARBURANT	1	1	1	
3	6YK-24610-00	.CAP ASSY .BOUCHON	1	1	1	WITH INDICATOR
	6YK-24610-10	.CAP ASSY .BOUCHON	1	1	1	*ECM-"F25A-ONLY"
4	6YL-24641-00	.GASKET, CAP 1 .JOINT 1, BOUCHON	1	1	1	
5	6YK-24260-01	.FUEL METER ASSY .INDICATEUR DE CARBURANT	1	1	1	
6	90157-05M16	.SCREW, PAN HEAD .VIS, TETE TRONCONIQUE	4	4	4	
7	6YL-24329-00	.SEAL .JOINT	4	4	4	
8	6YL-24306-52	FUEL PIPE COMP. 1 DURITE A ESSENCE 1.	1	1	1	AP
<p>*ECM: FOR EMISSION CONTROL MODEL. *ECM: POUR MODELE CONTROLE D' EMISSIONS.</p>						







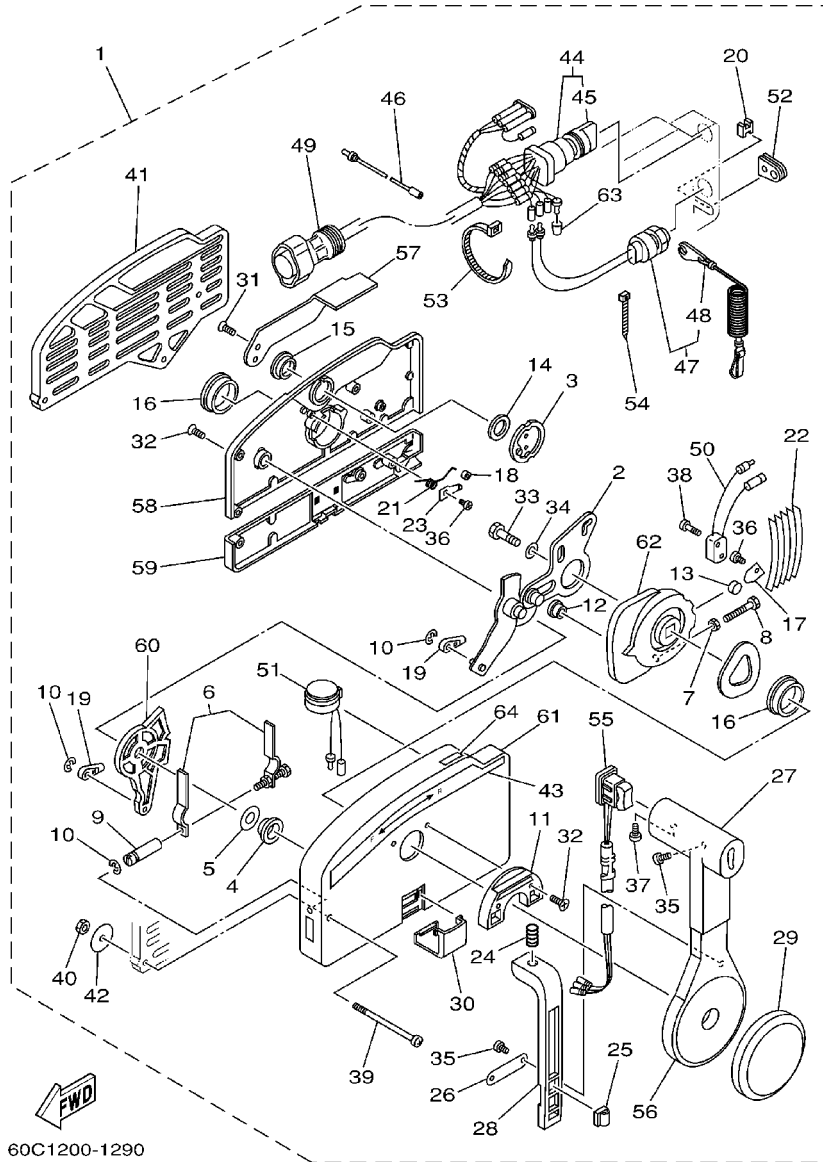
60C1200-1290

FIG. 31 REMOTE CONTROL ASSY BOITIER DE COMMANDE A DISTANCE

REF. NO.	PART NO. NO. PIECES	DESCRIPTION DESCRIPTION	MH	E	ET	REMARKS REMARQUES
1	703-48205-A4	REMOTE CONTROL ASSY			1	AP WITH PT/T SW.
	703-48203-A2	BOITIER DE COMMANDE A DISTANCE		1		AP
2	703-48261-01	.ARM, THROTTLE		1	1	
3	703-48153-00	.BRAS, ACCELERATION		1	1	
4	703-48235-00	.SHAFT, FREE ACCEL.		1	1	
5	703-48268-00	.AXE		1	1	
6	703-48235-00	.BUSHING		1	1	
7	703-48268-00	.COUSSINET		1	1	
8	703-48264-00	.SPACER		1	1	
9	95380-05600	.ENTRETOISE		1	1	
10	703-48264-00	.THROTTLE, FRICTION		1	1	
11	703-48265-00	.ACCELERATION		1	1	
12	97380-05025	.NUT		1	1	
13	703-48265-00	.ECROU		1	1	
14	97380-05025	.BOLT		1	1	
15	703-48265-00	.BOULON, HEXAGONAL		1	1	
16	703-48265-00	.SHAFT, FRICTION		1	1	
17	93430-06024	.AXE, COPILOTE		3	3	
18	703-48245-00	.CIRCLIP		1	1	
19	703-48245-00	.CLIPS		1	1	
20	703-48252-00	.PLATE, LOCK		1	1	
21	703-48252-00	.PLAQUE, VERROU		1	1	
22	701-48248-00	.ROLLER, CAM		1	1	
23	701-48248-00	.POULIE		1	1	
24	703-48198-00	.ROLLER, FREE ACCEL.		1	1	
25	703-48198-00	.POULIE		1	1	
26	703-48243-00	.WASHER, WAVE		1	1	
27	703-48243-00	.RONDELLE, ELASTIQUE ONDULEE		1	1	
28	703-48236-00	.BUSHING		2	2	
29	703-48236-00	.COUSSINET		2	2	
30	703-48189-00	.BUSHING 1		1	1	
31	703-48189-00	.POULIE		1	1	
32	703-48234-00	.RETAINER		1	1	
33	703-48234-00	.FLASQUE		1	1	
34	703-48234-00	.ROLLER, DETENT		1	1	
35	703-48234-00	.POULIE		1	1	
36	703-48345-01	.CABLE END, REMOTE CONTROL 2		2	2	
37	703-48345-01	.CHAPE CABLE		2	2	
38	703-48358-00	.ANCHOR, CABLE		1	1	
39	703-48358-00	.COLLIER		1	1	
40	703-48244-00	.SPRING, FREE ACCEL.		1	1	
41	703-48244-00	.RESSORT		1	1	
42	703-48238-00	.SPRING, DETENT		5	5	
43	703-48238-00	.RESSORT		5	5	
44	703-48246-00	.SPACER		1	1	
45	703-48246-00	.ENTRETOISE		1	1	
46	703-48227-00	.SPRING, NEUTRAL LOCK		1	1	
47	703-48227-00	.RESSORT		1	1	
48	703-82594-00	.CLAMP		1	1	WITH PT/T SW.
49	703-82594-00	.BRIDE		1	1	
50	703-48226-00	.PLATE, STOPPER		1	1	
51	703-48226-00	.PLAQUETTE		1	1	

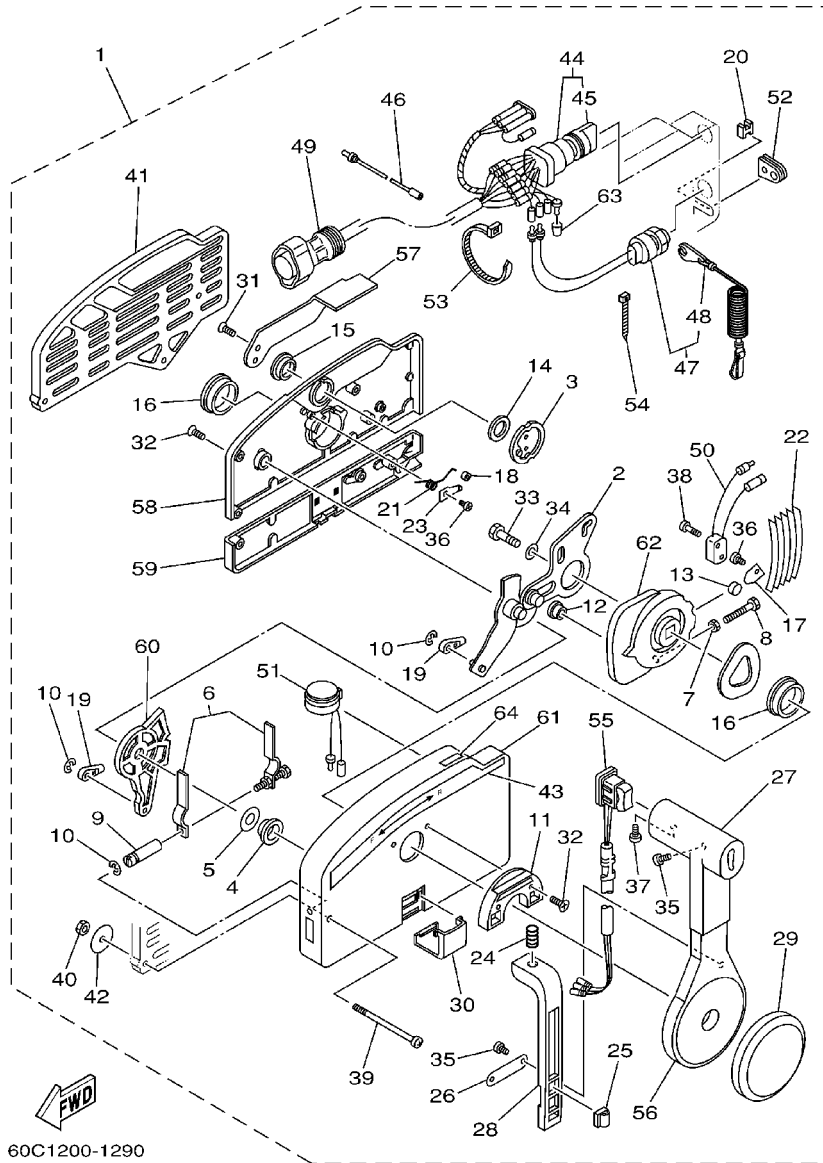
FIG. 31 REMOTE CONTROL ASSY

BOITIER DE COMMANDE A DISTANCE



60C1200-1290

REF. NO.	PART NO. NO. PIECES	DESCRIPTION DESCRIPTION	MH	E	ET	REMARKS REMARQUES
27	703-48222-00	.GRIP, CONTROL LEVER .POIGNEE, COMMANDE LEVIER		1	1	SINGLE
28	703-48223-00	.LOCK, NEUTRAL .VERROU, NEUTRAL		1	1	
29	703-48225-00	.COVER .COUVERCLE		1	1	
30	703-48219-00	.COVER, LEAD .COUVERCLE		1	1	
31	703-48281-00	.SCREW .VIS		2	2	
32	703-48282-00	.SCREW .VIS		7	7	
33	97380-08030	.BOLT .BOULON, HEXAGONAL		1	1	
34	92990-08600	.WASHER, PLATE .RONDELLE, PLATE		1	1	
35	98580-04010	.SCREW, PAN HEAD .VIS		3	3	
36	98580-04006	.SCREW, PAN HEAD .VIS		2	2	
37	98580-05010	.SCREW, PAN HEAD .VIS		1	1	
38	98580-03015	.SCREW, PAN HEAD .VIS		2	2	
39	703-48291-10	.SCREW (M6) .VIS (M6)		3	3	
40	95380-06600	.NUT, HEXAGON .ECROU		3	3	
41	703-48293-10	.SPACER, REMOTE CONTROL .ENTRETOISE		1	1	SINGLE
42	701-48287-00	.WASHER .RONDELLE		3	3	
43	703-48215-00	.GRAPHIC .ADHESIF		1	1	
44	703-82510-12	.MAIN SWITCH ASSY .CONTACTEUR A CLEF COMPLET			1	FOR PRIME START MODEL
	703-82510-03	.MAIN SWITCH ASSY .CONTACTEUR A CLEF COMPLET		1		FOR 703-48203-A2
45	676-82577-00	..CAP, KEY ..CABOCHON		1	1	
46	703-82531-00	.WIRE, LEAD .FIL		1	1	
47	688-82575-01	.ENGINE STOP SWITCH ASSY .COUPE CIRCUIT CPLT		1	1	
48	682-82556-00	..STOPPER ..PLAQUETTE		1	1	
49	688-8258A-20	.EXTENSION, WIRE HARNESS .EXTENSION, FAISCEAU DE FILS			1	L:5M (10P)
	688-82586-21	.EXTENSION, WIRE HARNESS .EXTENSION, FAISCEAU DE FILS		1		L:5M (7P)
50	703-82540-00	.NEUTRAL SWITCH ASSY .CONTACTEUR DE POINT-MORT		1	1	
51	703-83383-A0	.BUZZER .RONFLEUR		1	1	

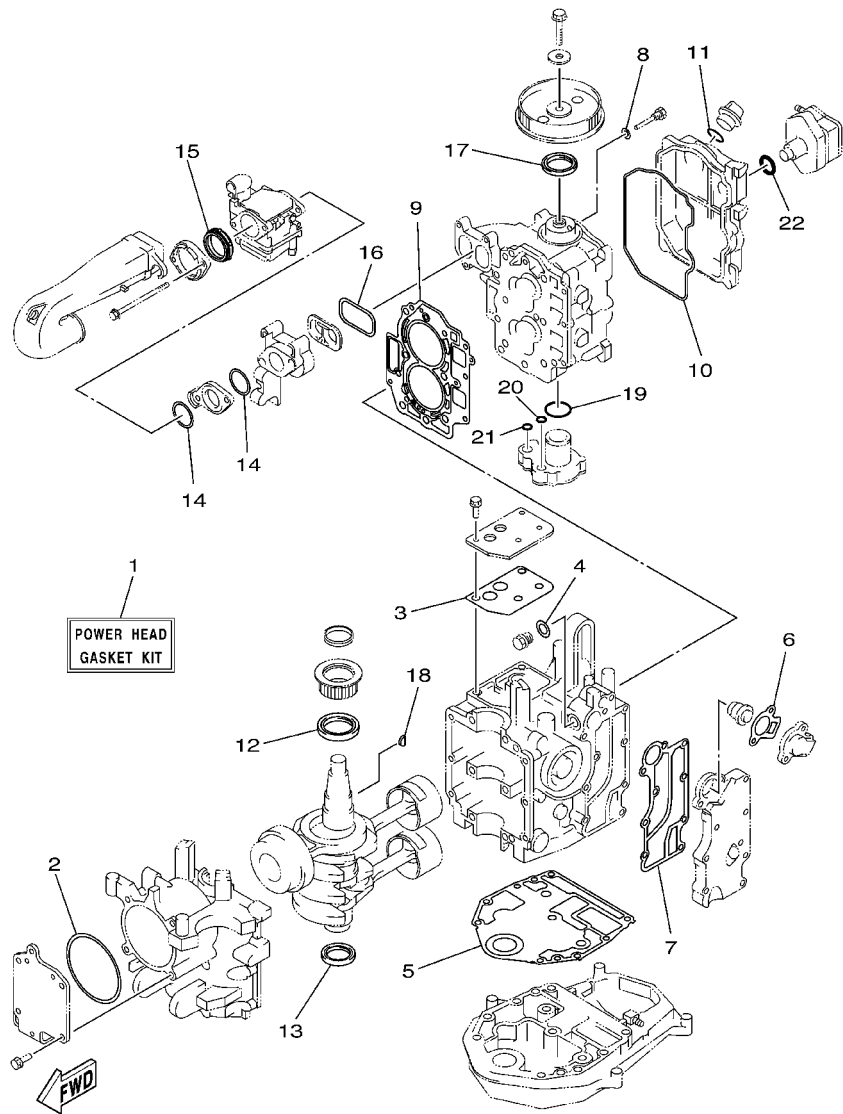


60C1200-1290

FIG. 31 REMOTE CONTROL ASSY

BOITIER DE COMMANDE A DISTANCE

REF. NO.	PART NO. NO. PIECES	DESCRIPTION DESCRIPTION	MH	E	ET	REMARKS REMARQUES
52	703-48284-00	.GROMMET .PASSE-FIL		1	1	
53	703-82591-00	.BAND .COLLIER		1	1	
54	703-82592-00	.BAND .COLLIER		1	1	
55	703-82563-02	.TRIM & TILT SWITCH ASSY .INCLINER ET PARER COMMUTATEUR			1	WITH PT/T SW.
	703-48224-00	.COVER, CONTROL LEVER .COUVERCLE		1		WITHOUT PT/T SW.
56	703-48221-00	.LEVER, CONTROL .LEVIER, COMMANDE		1	1	
57	703-48152-00	.KNOB, FREE ACCEL. .BOUTON		1	1	
58	703-48212-00	.BACK PLATE 1 .PLAQUETTE 1		1	1	
59	703-48213-00	.BACK PLATE 2 .PLAQUETTE 2		1	1	
60	703-48271-00	.ARM, SHIFT .BRAS		1	1	
61	703-48211-01	.HOUSING,1 .CORPS		1	1	
62	703-48232-00	.GEAR .PIGNON		1	1	
63	703-82542-00	.CAP .COUVERCLE		1	1	
64	703-48218-00	.GRAPHIC .ADHESIF		1	1	



68U2100-3290

FIG. 32 REPAIR KIT 1

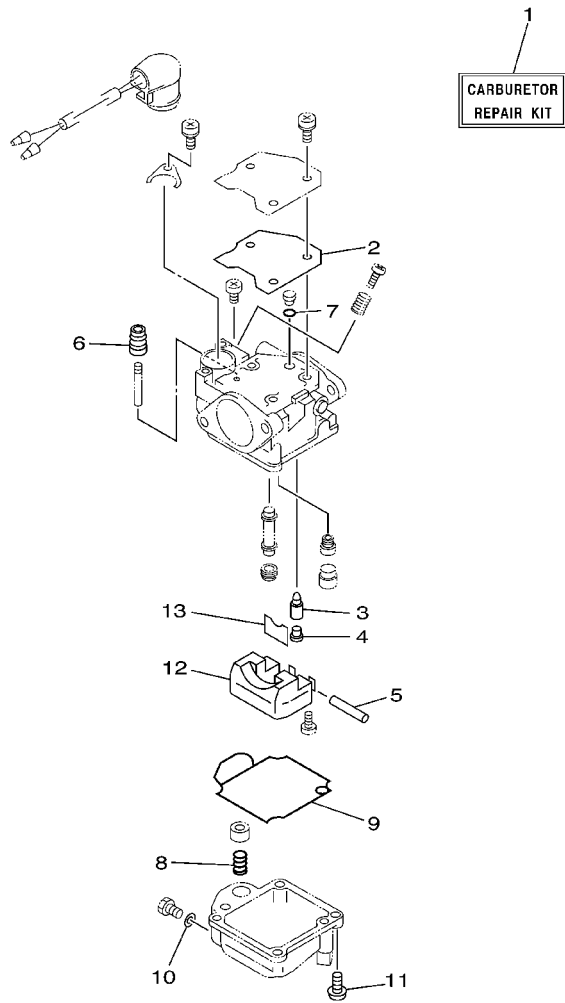
KITS DE REPARATION 1

REF. NO.	PART NO. NO. PIECES	DESCRIPTION DESCRIPTION	MH	E	ET	REMARKS REMARQUES
1	65W-W0001-02	POWER HEAD GASKET KIT POCHETTE DE JINTS TETE MOTRICE	1	1	1	
2	65W-15663-00	.SEAL .JOINT	1	1	1	
3	65W-11169-01	.GASKET, BREATHER COVER .JOINT, COUVERCLE DE RENIFLARD	1	1	1	
4	90430-14115	.GASKET .JOINT	1	1	1	
5	65W-11351-10	.GASKET, CYLINDER .JOINT, D'EMBASE	1	1	1	
6	62Y-12414-00	.GASKET, COVER .JOINT, COUVERCLE	1	1	1	
7	65W-41114-00	.GASKET, EXHAUST OUTER COVER .JOINT, COUVERCLE D'ECHAPPEMEN	1	1	1	
8	90430-06014	.GASKET .JOINT	1	1	1	
9	65W-11181-20	.GASKET, CYLINDER HEAD 1 .JOINT, DE CULASSE 1	1	1	1	
10	65W-11356-00	.SEAL, CYLINDER 2 .JOINT, SPY CYLINDRE	1	1	1	
11	93210-24M79	.O-RING .JOINT TORIQUE	1	1	1	
12	93102-43M42	.OIL SEAL .JOINT SPY	1	1	1	
13	93102-35M47	.OIL SEAL .JOINT SPY	1	1	1	
14	65W-14198-00	.GASKET .JOINT	2	2	2	
15	65W-14457-10	.SEAL .JOINT	1	1	1	
16	65W-13645-00	.GASKET, MANIFOLD 1 .JOINT, TUBULURE 1	1	1	1	
17	93102-37M40	.OIL SEAL .JOINT SPY	1	1	1	
18	90280-04M06	.KEY, WOODRUFF .CLAVETTE, DEMI-LUNE	1	1	1	
19	93210-33MH2	.O-RING .JOINT TORIQUE	1	1	1	
20	93210-12MG9	.O-RING .JOINT TORIQUE	1	1	1	
21	93210-14515	.O-RING .JOINT TORIQUE	1	1	1	
22	93210-24M79	.O-RING .JOINT TORIQUE	1	1	1	



FIG. 33 REPAIR KIT 2

KITS DE REPARATION 2



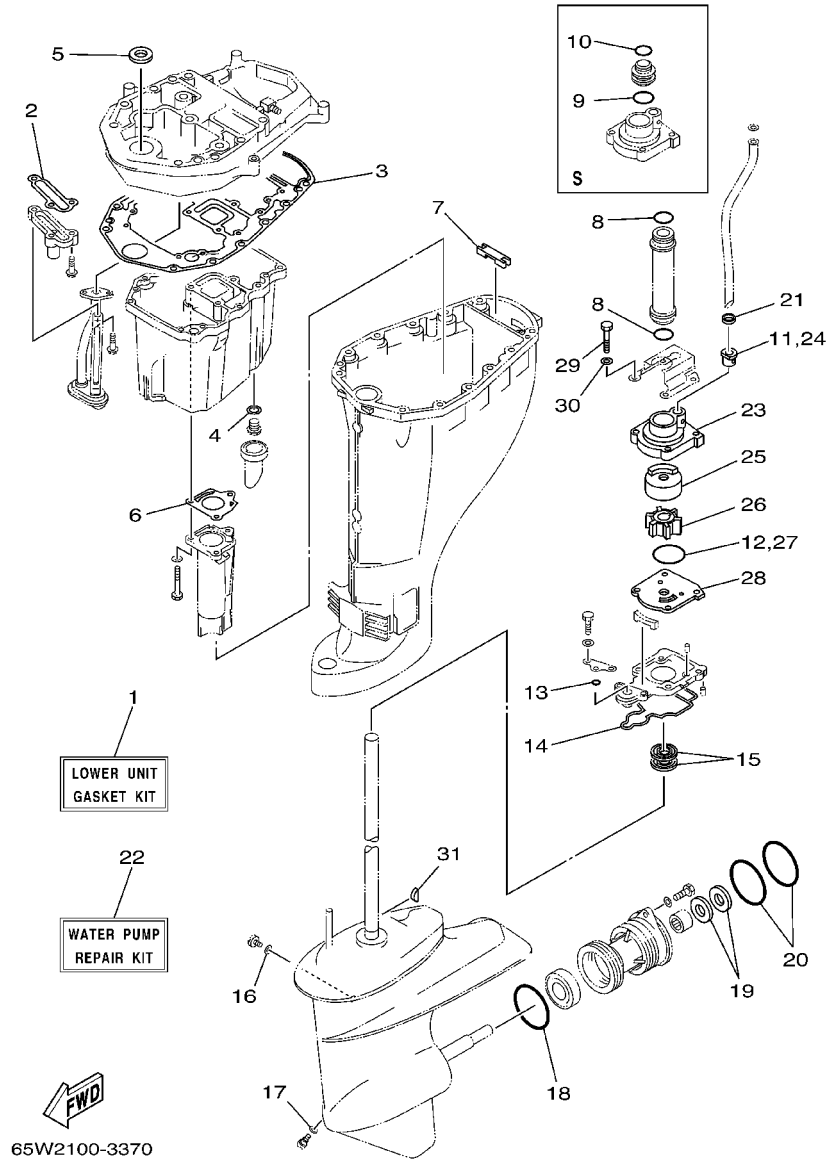
REF. NO.	PART NO. NO. PIECES	DESCRIPTION DESCRIPTION	MH	E	ET	REMARKS REMARQUES
1	65W-W0093-00	CARBURETOR REPAIR KIT KIT DE REPARATION CARBURATEUR	1	1	1	
2	65W-14126-00	.GASKET .JOINT	1	1	1	
3	6G1-14546-00	.VALVE, NEEDLE .POINTEAU	1	1	1	
4	676-14186-00	.PIN, FLOAT .AXE, FLOTTEUR	1	1	1	
5	6H4-14548-00	.PIN, FLOAT ARM .AXE, BRAS DE FLOTTEUR	1	1	1	
6	65W-14373-00	.COVER, PLUNGER CAP .COUVERCLE DE PLONGEUR	1	1	1	
7	65W-14147-00	.O-RING .JOINT TORIQUE	1	1	1	
8	65W-14335-00	.SPRING, PLUNGER .RESSORT, PLONGEUR	1	1	1	
9	65W-14384-00	.GASKET, FLOAT CHAMBER .JOINT, CUVE DE FLOTTEUR	1	1	1	
10	65W-14398-00	.GASKET .JOINT	1	1	1	
11	97980-04114	.SCREW, WITH WASHER .VIS, AVEC RONDELLE	4	4	4	
12	63V-14985-00	.FLOAT .FLOTTEUR	1	1	1	
13	663-14159-00	.CLIP .JONC	1	1	1	



65W0100-8360

FIG. 34 REPAIR KIT 3

KITS DE PEPARATION 3



REF. NO.	PART NO. NO. PIECES	DESCRIPTION DESCRIPTION	MH	E	ET	REMARKS REMARQUES
1	65W-W0001-23	LOWER UNIT GASKET KIT POCHETTE DE JOINTS EMBASE	1	1	1	
2	62Y-13475-00	.GASKET .JOINT	1	1	1	
3	69W-15312-00	.GASKET, OIL PAN .JOINT DE VENTILATEUR D'HUILE	1	1	1	
4	90430-14M09	.GASKET .JOINT	1	1	1	
5	93110-16004	.OIL SEAL .JOINT D'HUILE	1	1	1	
6	67C-41133-00	.GASKET, EXHAUST MANIFOLD 1 .JOINT, PIPE D'ECHAPPEMENT	1	1	1	
7	65W-45128-00	.SEAL 2 .JOINT 2	1	1	1	
8	93210-26130	.O-RING .JOINT TORIQUE	2	2	2	L
9	93210-26130	.O-RING .JOINT TORIQUE	1	1	1	S
10	93210-22164	.O-RING .JOINT TORIQUE	1	1	1	S
11	6L2-44367-00	.DAMPER, WATER SEAL .JOINT TUBE D'EAU	1	1	1	
12	93210-45161	.O-RING .JOINT TORIQUE	1	1	1	
13	93210-06ME6	.O-RING .JOINT TORIQUE	1	1	1	
14	61N-45315-00	.PACKING, LOWER CASING .JOINT, BOITIER D'HELICE	1	1	1	
15	93101-22067	.OIL SEAL .JOINT SPY	2	2	2	
16	90430-08020	.GASKET .JOINT	1	1	1	
17	90430-08020	.GASKET .JOINT	1	1	1	
18	93210-64ME7	.O-RING .JOINT TORIQUE	1	1	1	
19	93101-20M07	.OIL SEAL .JOINT SPY	2	2	2	
20	93210-65M50	.O-RING .JOINT TORIQUE	2	2	2	
21	90430-10002	.GASKET .JOINT	1	1	1	
22	61N-W0078-11	WATER PUMP REPAIR KIT KIT DE REPARATION DE LA POMPE	1	1	1	
23	61N-44311-01	.HOUSING, WATER PUMP .CORPS, POMPE A EAU	1	1	1	
24	6L2-44367-00	.DAMPER, WATER SEAL .JOINT TUBE D'EAU	1	1	1	
25	61N-44322-01	.INSERT, CARTRIDGE .CUVETTE	1	1	1	
26	6H4-44352-02	.IMPELLER .TURBINE	1	1	1	
27	93210-45161	.O-RING .JOINT TORIQUE	1	1	1	



NUMERICAL INDEX  
INDEX NUMERIQUE

PART NO. NO. PIECES	REF. NO.	PART NO. NO. PIECES	REF. NO.	PART NO. NO. PIECES	REF. NO.	PART NO. NO. PIECES	REF. NO.	PART NO. NO. PIECES	REF. NO.	PART NO. NO. PIECES	REF. NO.
65W-W0001-02	32 - 1	62Y-11656-20	3 - 7	65W-14147-00	7 - 21	65W-14980-00	7 - 25	6A0-15789-00	10 - 27	661-41262-02	18 - 3
65W-W0001-23	34 - 1	65W-11665-00	3 - 12		33 - 7	65W-14980-20	7 - 25	65W-15791-00	10 - 16	65W-41283-00	18 - 2
65W-W0070-20	1 - 10	67C-12111-00	5 - 1	663-14159-00	7 - 15	63V-14985-00	7 - 12	65W-15793-00	10 - 12	65W-41638-00	18 - 1
61N-W0078-11	34 - 22	51Y-12114-00	5 - 4		33 - 13		33 - 12	65W-15794-00	10 - 20	6F5-41662-00	18 - 14
65W-W0084-01-4D17-	1	62Y-12116-00	5 - 3	676-14186-00	7 - 14	65W-14992-00	7 - 27	6YK-24201-01	28 - 1	65W-42101-01-4D	17 - 12
65W-W009A-14-1S	4 - 1	30X-12117-00	5 - 5		33 - 4	65W-15100-11-1S	2 - 2	6YK-24201-10	28 - 1	66M-42119-00	17 - 20
65W-W009B-11-1S	2 - 1	30X-12118-00	5 - 6	65W-14198-00	6 - 6	65W-15121-00	2 - 6	65W-24251-00	9 - 20	65W-42121-01-4D	17 - 38
65W-W0093-00	33 - 1	51Y-12119-00	5 - 7		32 - 14	65W-15311-01-5B	25 - 10	6YK-24260-01	28 - 5	65W-42123-00	17 - 6
65W-W1571-01	10 - 3	62Y-12121-00	5 - 2	65W-14262-00	6 - 7	69W-15312-00	25 - 11	6YL-24268-01	28 - 2	65W-42125-00	17 - 17
65W-11111-02-1S	4 - 2	62Y-12138-60	4 - 26	65W-14271-00	6 - 5		34 - 3	6G1-24304-02	9 - 25	6G1-42126-00	17 - 16
65W-11111-12-1S	4 - 2	65W-12146-00	5 - 8	6A0-14325-00	9 - 10	65W-15316-00	25 - 13	6YL-24306-52	28 - 8	65W-42131-01	17 - 35
65W-11119-00	2 - 12	65W-12151-00	5 - 9	65W-14335-00	7 - 22	65W-15362-01	25 - 1	6YL-24329-00	28 - 7	6J0-42137-00	17 - 21
62Y-11133-10	4 - 3	62Y-12158-00	5 - 11		33 - 8	6G8-15363-00	4 - 24	62Y-24374-01	9 - 14	65W-42138-00	17 - 14
65W-11168-01	2 - 9	62Y-12159-00	5 - 10	65W-14346-00	7 - 30	65W-15370-00	6 - 17	65W-24377-00	6 - 12	65W-42159-00	17 - 15
65W-11169-01	2 - 10	65W-12170-10	8 - 2	65W-14371-00	7 - 23	65W-15370-10	6 - 18	688-24378-00	2 - 28	66M-42177-00	17 - 19
	32 - 3	65W-12171-00	8 - 2	65W-14373-00	7 - 18	65W-15397-10	6 - 13	62Y-24410-03	9 - 1	65W-42511-00-4D	22 - 6
65W-11181-20	4 - 15	62Y-12216-00	5 - 13		33 - 6	65W-15414-00	10 - 22	62Y-24411-02	9 - 4	65W-42511-10-4D	22 - 6
	32 - 9	65W-12228-00	2 - 8	65W-14379-00	7 - 19	65W-15481-00	10 - 17	62Y-24413-01	9 - 2	648-42528-00	22 - 1
65W-11191-00-1S	4 - 19		2 - 11	65W-14380-00	7 - 29	65W-15482-00	10 - 43	62Y-24421-01	9 - 3	624-42542-00	13 - 30
62Y-11325-00	4 - 5	62Y-12231-00	5 - 14	65W-14380-20	7 - 29	65W-15645-00	10 - 30	62Y-24422-00	9 - 15	65W-42610-10-4D	1 - 1
66M-11327-00-94	4 - 7	62Y-12238-00	5 - 12	65W-14384-00	7 - 24	65W-15663-00	2 - 7	62Y-24423-00	9 - 5	65W-42610-40-4D	1 - 1
66M-11328-00	4 - 6	6G8-12411-02	2 - 17		33 - 9		32 - 2	62Y-24444-01	9 - 8	65W-42613-00	1 - 2
65W-11351-10	2 - 16	6H3-12413-00-1S	2 - 18	67C-14397-00	7 - 32	65W-15711-01	10 - 4	62Y-24452-00	9 - 12	65W-42615-01	1 - 8
	32 - 5	62Y-12414-00	2 - 19	65W-14398-00	7 - 26	65W-15713-00	10 - 6	62Y-24454-00	9 - 7	65W-42651-00	1 - 4
65W-11356-00	4 - 20		32 - 6		33 - 10	65W-15714-01	10 - 7	62Y-24471-00	9 - 9	65W-42652-00	1 - 6
	32 - 10	66M-12535-00	4 - 8	65W-14440-00	6 - 1	65W-15715-00	10 - 10	65W-24474-00	9 - 17	65W-42677-00	1 - 15
62Y-11372-01	2 - 24	69W-12535-00	16 - 33	65W-14457-10	6 - 8	65W-15716-00	10 - 11	65W-24481-00	9 - 21	65W-42677-10	1 - 15
65W-11411-01	3 - 3	68T-12572-00	16 - 32		32 - 15	65W-15723-10	10 - 28	6YK-24610-00	28 - 3	65W-42678-20	1 - 9
62Y-11416-00	3 - 4	6R3-12580-00	16 - 38	65W-14496-00	6 - 4	65W-15726-00	10 - 44	6YK-24610-10	28 - 3	65W-42678-40	1 - 9
62Y-11416-10	3 - 4	62Y-13131-01	9 - 6	65W-14497-01	18 - 6	65W-15732-00	10 - 5	6YL-24641-00	28 - 4	65W-42681-20	1 - 11
62Y-11416-20	3 - 4	65W-13286-00	2 - 20	63V-14523-00	7 - 9	65W-15734-00	10 - 8	65W-26311-00	17 - 27	65W-42682-20	1 - 12
65W-11476-00	8 - 9	65W-13300-00	8 - 11	6G1-14546-00	7 - 13	65W-15735-01	10 - 18	65W-26326-00	16 - 19	65W-42710-05-4D	16 - 1
65W-11536-10	8 - 8	65W-13323-00	6 - 3		33 - 3	65W-15741-10	10 - 24	65W-26326-10	16 - 19	65W-42710-15-4D	16 - 1
65W-11537-01	8 - 3	65W-13411-00	25 - 6	6H4-14548-00	7 - 17	65W-15744-00	10 - 9		19 - 17	62Y-42716-00	16 - 6
65W-11545-00	11 - 4	67F-13434-02	1 - 16		33 - 5	65W-15752-00	10 - 14	62Y-28100-00	9 - 32	65W-42717-00	16 - 5
62Y-11575-00	25 - 2	65W-13437-61	10 - 45	67C-14555-00	7 - 33	65W-15753-00	10 - 15	6A1-28176-00	16 - 41	65W-42724-10	16 - 21
67C-11603-00	3 - 9		11 - 27	65W-14572-00	7 - 3	689-15755-01	10 - 25	65W-28199-77-A0	9 - 33	6G1-42725-00	11 - 17
67C-11604-00	3 - 9	5GH-13440-00	2 - 22	65W-14901-00	7 - 1	65W-15758-00	11 - 21	65W-28199-77-B0	9 - 33		16 - 22
67C-11605-00	3 - 9	6G8-13444-51	16 - 40	65W-14901-10	7 - 1	65W-15758-10	11 - 21	65W-28199-87-A0	9 - 34	65W-42725-00	16 - 9
65W-11631-00-96	3 - 8	62Y-13475-00	25 - 3	65W-14901-31	7 - 1	65W-15761-00	10 - 31	65W-28199-87-B0	9 - 34	65W-42725-20	19 - 15
62Y-11633-00	3 - 10		34 - 2	65W-14923-10	7 - 31	65W-15762-00	11 - 22	65W-41113-10-1S	2 - 23	65W-42725-21	16 - 9
65W-11635-00	3 - 8	65W-13640-00	6 - 2	65W-14943-28	7 - 11	65W-15767-01	10 - 19	65W-41114-00	2 - 25	6H1-42726-20	16 - 21
65W-11636-00	3 - 8	65W-13645-00	6 - 9	65W-14943-29	7 - 11	65W-15768-00	10 - 23		32 - 7	65W-42726-00	16 - 23
65W-11642-11	3 - 13		32 - 16	65W-14947-00	7 - 10	65W-15770-00	10 - 40	68U-41131-00-5B	24 - 3	65W-42726-10	16 - 23
67C-11650-00	3 - 5	65W-14126-00	7 - 4	65W-14947-20	7 - 10	65W-15771-00	11 - 23	67C-41133-00	24 - 4		19 - 18
62Y-11654-00	3 - 6		33 - 2	65W-14948-07	7 - 6	65W-15774-00	10 - 34		34 - 6	62Y-42727-00	16 - 10
62Y-11656-00	3 - 7	65W-14126-10	7 - 4	676-14948-07	7 - 6	6F5-15779-02	10 - 26	65W-41137-04-94	24 - 1		19 - 16
62Y-11656-10	3 - 7	65W-1414F-00	7 - 20	679-14966-00	7 - 7	65W-15784-00	10 - 21	65W-41211-00	18 - 5	65W-42727-00	16 - 10

NUMERICAL INDEX  
INDEX NUMERIQUE

PART NO. NO. PIECES	REF. NO.	PART NO. NO. PIECES	REF. NO.	PART NO. NO. PIECES	REF. NO.	PART NO. NO. PIECES	REF. NO.	PART NO. NO. PIECES	REF. NO.	PART NO. NO. PIECES	REF. NO.
682-42727-00	16 - 20	65W-4382A-00	23 - 47	65W-44142-00	19 - 2	688-45341-10	26 - 33	703-48205-A4	30 - 1	6H3-48538-00	18 - 35
65W-42738-01-4D	16 - 7	6H1-43829-00	23 - 61	65W-44143-00	18 - 18	61N-45361-01-4D	26 - 51		31 - 1		19 - 14
65W-42741-01	16 - 25	65W-43830-00	23 - 36	65W-44143-10	18 - 18	61N-45371-00	27 - 7	703-48211-01	31 - 61	65W-61350-00	29 - 1
65W-42815-01-4D	16 - 11	65W-43831-00	23 - 35	65W-44150-00	26 - 59	61N-45510-00	26 - 35	703-48212-00	31 - 58	65W-61351-00	29 - 2
65W-42816-03	16 - 16	6H1-4384F-10	23 - 57	65W-44150-10	26 - 59	61N-45510-10	26 - 35	703-48213-00	31 - 59	65W-81337-00	11 - 13
65W-43111-02-4D	20 - 1	65W-43840-00	23 - 15	65W-44173-00	17 - 39	61N-45536-00	26 - 5	703-48215-00	31 - 43	65W-81639-00	11 - 14
65W-43111-10-4D	21 - 1	62X-43841-00	23 - 33	65W-44176-00	26 - 19	61N-45551-00	26 - 37	703-48218-00	31 - 64	65W-81639-10	10 - 33
65W-43112-02-4D	20 - 6	65W-43843-00	23 - 54	6E0-44191-11	17 - 11	61N-45560-00	26 - 41	703-48219-00	31 - 30	65W-81800-01	15 - 1
65W-43112-10-4D	21 - 2	6H1-43844-10	23 - 56	65W-44192-00	18 - 29	6L2-45567-00-10	26 - 40	703-48221-00	31 - 56	65W-81801-00	15 - 8
6J8-43113-01	20 - 20	65W-43844-00	23 - 48		19 - 8	6L2-45567-00-11	26 - 40	703-48222-00	31 - 27	65W-81807-00	15 - 5
648-43114-01	20 - 4	6H1-43845-00	23 - 43	61N-44311-01	26 - 11	6L2-45567-00-12	26 - 40	703-48223-00	31 - 28	65W-8182A-00	12 - 16
	20 - 9	6H1-43847-00	23 - 45		34 - 23	6L2-45567-00-13	26 - 40	703-48224-00	31 - 55	65W-8182B-00	12 - 17
663-43118-01-4D	20 - 3	65W-43851-00	23 - 49	61N-44322-01	26 - 13	6L2-45567-00-14	26 - 40	703-48225-00	31 - 29	65W-8182S-00	15 - 10
	20 - 8	6T4-43853-00	23 - 37		34 - 25	61N-45571-00	26 - 49	703-48226-00	31 - 26	65W-81820-00	15 - 7
63D-43131-01	20 - 17	65W-43853-00	23 - 60	61N-44323-00	26 - 16	6L2-45577-00-10	26 - 50	703-48227-00	31 - 24	65W-81826-00	15 - 2
	21 - 9	65W-43854-00	23 - 46		34 - 28	6L2-45577-00-11	26 - 50	703-48232-00	31 - 62	65W-81830-00	15 - 4
66T-43144-00	16 - 30	65W-43855-00	23 - 52	65W-44328-11	26 - 10	6L2-45577-00-12	26 - 50	703-48234-00	31 - 18	65W-81840-00	15 - 9
6E5-43145-01	29 - 9	6H1-43856-10	23 - 55	6H4-44352-02	26 - 14	6L2-45577-00-13	26 - 50	703-48235-00	31 - 4	65W-81850-01	15 - 6
6G5-43145-01	20 - 22	65W-4386A-00	23 - 58		34 - 26	61N-45587-00-07	26 - 4	703-48236-00	31 - 16	65W-81857-01	15 - 3
	21 - 13	65W-4386K-00	23 - 7	65W-44361-01	27 - 1	61N-45587-00-10	26 - 4	703-48238-00	31 - 22	65W-8191C-00	12 - 14
65W-43160-00	20 - 52	6H1-43861-10	23 - 20	65W-44361-11	27 - 1	61N-45587-00-11	26 - 4	703-48243-00	31 - 15	65W-81922-00	12 - 15
65W-43191-00	21 - 4		23 - 23	61N-44362-00	26 - 7	61N-45587-00-12	26 - 4	703-48244-00	31 - 21	65W-81941-00	12 - 13
65W-43192-00	21 - 3	65W-43861-00	23 - 40	61N-44362-10	26 - 7	61N-45587-00-13	26 - 4	703-48245-00	31 - 11	65W-81948-00	13 - 28
65W-43311-00-4D	20 - 15	65W-43862-00	23 - 41	6L2-44367-00	26 - 12	61N-45587-00-14	26 - 4	703-48246-00	31 - 23	65W-81949-00	13 - 33
65W-43311-10-4D	20 - 15	65W-43865-00	23 - 19		34 - 11	61N-45587-00-15	26 - 4	701-48248-00	31 - 13	61A-81950-00	13 - 25
	21 - 7	6H1-43866-00	23 - 31		34 - 24	61N-45587-00-16	26 - 4	703-48252-00	31 - 12	65W-81960-00	12 - 22
682-43318-01	20 - 32	6H1-43867-00	23 - 32	6H3-44391-01	16 - 18	6L2-45611-00	26 - 42	703-48261-01	31 - 2	65W-82105-00	13 - 17
66T-43350-02	20 - 39	65W-43869-00	23 - 5	67C-44514-20-4D	22 - 15	664-45631-02	26 - 44	703-48264-00	31 - 6	65W-82117-00	12 - 20
65W-43373-00	22 - 2	65W-43871-00	23 - 21	66T-44526-30	22 - 16	648-45633-00	26 - 46	703-48265-00	31 - 9	6G5-82119-10	12 - 21
65W-43613-00	20 - 46	6H1-43875-00	23 - 42	65W-44551-11-4D	22 - 19	648-45635-00	26 - 43	703-48268-00	31 - 5	682-82119-01	13 - 34
65W-43614-01	20 - 44	62X-43878-00	23 - 62	65W-44555-00	22 - 20	664-45941-01-EL	27 - 18	703-48271-00	31 - 60	6U0-82127-00	21 - 22
65W-43615-01	20 - 45	65W-43879-00	23 - 12	65W-44575-01	22 - 21	664-45943-01-EL	27 - 18	703-48281-00	31 - 31	65W-82127-00	12 - 27
65W-43616-00	20 - 43	65W-4388E-00	23 - 14	65W-45111-00-4D	24 - 7	664-45945-00-EL	27 - 18	703-48282-00	31 - 32	65W-82127-10	22 - 26
65W-43627-01	20 - 23	65W-43880-00	23 - 2	65W-45111-10-4D	24 - 7	664-45947-01-EL	27 - 18	703-48284-00	31 - 52	6H1-82148-00	21 - 21
65W-43630-11	20 - 33	65W-43881-00	23 - 6	61N-45127-00	26 - 25	664-45949-02-EL	27 - 18	701-48287-00	31 - 42	6G8-82150-00	13 - 18
66T-43631-11	20 - 41	65W-43882-00	23 - 8	65W-45128-00	24 - 14	664-45952-00-EL	27 - 18	703-48291-10	31 - 39	663-82151-00	13 - 19
65W-4380F-00	23 - 11	65W-43887-00	23 - 13		34 - 7	664-45954-00-EL	27 - 18	703-48293-10	31 - 41	6G5-82152-00	13 - 20
65W-4380K-00	23 - 16	65W-43888-00	23 - 28	65W-45151-00	24 - 10	664-45970-00-98	27 - 18	701-48310-90	30 - 2	6A0-82317-00	13 - 29
65W-4380L-00	23 - 27	65W-43891-00	23 - 10	6L2-45214-00	27 - 9	664-45972-00-98	27 - 18	701-48320-00	30 - 2	6G8-82370-30	12 - 8
65W-43800-02-4D	23 - 1	65W-43892-00	23 - 9	6L2-45215-00	27 - 10	6L2-45987-01	27 - 13	701-48320-20	30 - 2	62Y-82377-00	16 - 39
6T4-43802-03	23 - 30	65W-44111-00	17 - 2	61N-45251-01	26 - 30	689-45997-00	27 - 14	701-48320-50	30 - 2	65W-82504-00	12 - 26
65W-43804-00	23 - 3	65W-44116-00	18 - 16	61N-45251-00	21 - 19	65W-46241-00	8 - 7	663-48344-00	18 - 33	703-82510-03	31 - 44
65W-43805-00	23 - 4	65W-44121-00	18 - 11	65W-45300-00-4D	26 - 1	703-48152-00	31 - 57		19 - 12	703-82510-12	31 - 44
65W-4381B-00	23 - 22	65W-44122-00	18 - 12	65W-45300-10-4D	26 - 1	703-48153-00	31 - 3	703-48345-01	31 - 19	65W-8252V-00	12 - 2
65W-43810-00	23 - 17	65W-44124-00	17 - 8	61N-45311-02-4D	26 - 2	703-48189-00	31 - 17	703-48358-00	31 - 20	65W-8252V-10	12 - 6
65W-43812-00	23 - 18	65W-44125-00	18 - 24	61N-45315-00	26 - 26	703-48198-00	31 - 14	65W-48501-00	19 - 1	703-82531-00	31 - 46
6H1-43816-00	23 - 25		19 - 4		34 - 14	703-48203-A2	30 - 1	65W-48511-00	19 - 19	703-82540-00	31 - 50
65W-43817-00	23 - 39	65W-44142-00	18 - 22	65W-45331-00-5B	26 - 23		31 - 1		22 - 27	703-82542-00	31 - 63

NUMERICAL INDEX  
INDEX NUMERIQUE

PART NO. NO. PIECES	REF. NO.	PART NO. NO. PIECES	REF. NO.	PART NO. NO. PIECES	REF. NO.	PART NO. NO. PIECES	REF. NO.	PART NO. NO. PIECES	REF. NO.	PART NO. NO. PIECES	REF. NO.
682-82556-00	14 - 2	90101-10M58	20 - 53	90179-10M14	26 - 38	90254-03M05	17 - 40	90430-08143	4 - 23	90480-09M12	16 - 3
	31 - 48	90101-12M65	21 - 33	90179-10M33	22 - 25		18 - 13	90430-10002	27 - 3	90480-25161	12 - 9
6H1-82563-10	13 - 21	90105-08M76	22 - 3	90185-05002	27 - 12		18 - 23		34 - 21	90501-10065	26 - 47
703-82563-02	31 - 55	90105-08M87	2 - 13	90185-08045	22 - 12		19 - 3	90430-14M09	25 - 15	90501-10326	7 - 8
6E3-8257H-00	16 - 42	90105-10M12	27 - 5	90185-09M01	29 - 4	90266-04M04	1 - 7		34 - 4	90501-23215	17 - 25
689-8257Y-00	14 - 3	90109-06MA4	1 - 5	90185-10M13	21 - 32	90269-02M09	17 - 22	90430-14115	2 - 15	90506-16M34	16 - 31
65W-82575-01	14 - 1	90109-06M65	4 - 14	90185-10051	22 - 4	90280-03024	26 - 36		32 - 4	90506-20M37	20 - 40
688-82575-01	31 - 47	90109-06M81	16 - 28	90185-22M11	20 - 21		34 - 31	90445-09068	2 - 27	90506-30M00	20 - 50
676-82577-00	31 - 45		18 - 15		21 - 12	90280-04M06	8 - 10	90445-09095	2 - 29	91318-04025	23 - 38
688-8258A-20	31 - 49	90109-06M82	16 - 8	90201-05M06	18 - 30		32 - 18	90445-09105	2 - 30	91380-05025	11 - 7
688-82586-21	31 - 49	90109-06M86	13 - 24		19 - 9	90340-08002	26 - 28	90445-10M03	9 - 23	91380-05030	11 - 7
6E5-82587-00	13 - 22		16 - 29	90201-06M31	18 - 7	90340-14M06	2 - 14	90445-10M33	9 - 22	91490-16010	17 - 18
65W-82590-10	13 - 6		16 - 35		18 - 26		25 - 14	90445-10M43	9 - 24	91490-20015	20 - 51
65W-82590-30	13 - 6		17 - 13		19 - 6	90386-07MA2	20 - 34	90445-11M82	16 - 36	91490-30022	27 - 17
65W-82590-40	13 - 6		18 - 17	90201-08M00	21 - 26	90386-08032	17 - 26	90446-06M90	10 - 41	91690-30018	21 - 5
703-82591-00	31 - 53	90109-08M63	5 - 15	90201-10M06	8 - 5	90386-10M99	20 - 37	90446-10M82	11 - 10	92903-06600	25 - 5
703-82592-00	31 - 54	90109-08M77	15 - 12	90201-10M20	29 - 3	90386-12MA0	20 - 29	90446-10M86	17 - 28		25 - 8
65W-82594-10	11 - 19	90109-08M78	15 - 13	90201-10M63	29 - 8		21 - 14	90446-14M88	17 - 29	92903-10600	17 - 24
703-82594-00	31 - 25	90109-08M87	20 - 26	90201-10120	19 - 20	90386-12MA2	16 - 13	90446-24M54	6 - 15	92990-05600	24 - 12
703-83383-A0	31 - 51	90110-08M03	10 - 29		22 - 28	90386-12M37	16 - 12	90464-07M05	12 - 12	92990-06200	17 - 9
65W-8339X-00	12 - 28	90110-10M02	21 - 30	90201-12M07	16 - 15	90386-12M98	20 - 24	90465-06M88	13 - 11	92990-06300	26 - 32
6K3-83557-00	12 - 23	90116-10M28	22 - 5		17 - 5		21 - 15	90465-08M08	13 - 7	92990-08100	20 - 14
6N7-83557-00	13 - 12	90119-06MA3	4 - 18	90201-12M16	13 - 32	90386-14MA1	21 - 6		13 - 10	92990-08600	15 - 15
62Y-83614-00	13 - 23	90119-06MA5	2 - 5	90201-12426	20 - 55	90386-18MA0	21 - 28	90465-11M10	2 - 31		31 - 34
6A1-83625-41	10 - 46		2 - 26		21 - 35	90386-18M44	21 - 27		9 - 30	92990-14200	27 - 15
	11 - 28	90119-06MA6	8 - 15	90201-20417	26 - 48	90386-22M15	20 - 18		11 - 12	92995-05600	4 - 10
6A1-83625-51	10 - 47	90119-06M08	16 - 2	90201-21M18	11 - 5		21 - 10		13 - 5		11 - 9
	11 - 29	90119-06M48	27 - 8	90201-22M03	20 - 19	90386-40MA0	17 - 30		13 - 36		13 - 16
6E0-83627-41	17 - 41	90119-06M85	17 - 3		21 - 11	90386-40M99	17 - 34		16 - 37	92995-06100	11 - 25
6E0-83627-51	17 - 42	90119-08M01	2 - 4	90201-43M00	17 - 31	90386-44M03	22 - 9	90465-11M52	6 - 16	92995-06600	4 - 12
65W-84342-00	11 - 18	90119-08M39	15 - 11	90202-05M38	1 - 13	90386-44M99	22 - 11	90465-13M11	21 - 18		6 - 11
65W-85410-01	11 - 11	90119-08M79	24 - 8	90202-12060	27 - 2	90386-52M02	22 - 8	90465-13M18	9 - 31		9 - 19
65W-85510-00	11 - 2	90119-08M82	24 - 9	90202-43M57	17 - 33	90387-06M29	18 - 25		11 - 20		9 - 27
65W-85510-10	11 - 2	90119-09M00	4 - 17	90206-12M00	17 - 4		19 - 5	90465-13M36	6 - 14		10 - 2
65W-85540-20	12 - 1	90119-10M14	22 - 24	90206-12052	16 - 14	90387-06060	16 - 4	90465-25M57	16 - 24		10 - 36
65W-85542-00	12 - 3	90149-05M13	17 - 23	90206-14M23	20 - 25	90387-06064	18 - 4	90467-08004	2 - 32		10 - 38
65W-85547-00	12 - 4	90149-14M12	20 - 2	90206-43M22	17 - 32	90387-07M05	20 - 35	90467-09M03	9 - 29		11 - 16
65W-85550-01	11 - 1		20 - 7	90209-52M00	22 - 7	90387-07M29	20 - 48	90467-10M04	9 - 28		11 - 26
65W-85550-11	11 - 1	90151-05M05	27 - 11	90243-04007	20 - 5	90387-08M29	20 - 11	90468-10005	10 - 42		12 - 11
65W-85570-00	12 - 7	90157-05M16	28 - 6		20 - 10	90387-10M42	29 - 6		18 - 31		12 - 19
65W-85580-00	11 - 3	90157-05014	20 - 42	90249-07M32	20 - 47	90387-12M04	20 - 27		19 - 10		12 - 25
65W-85757-00	13 - 2	90157-06M06	24 - 13	90249-07M33	20 - 49	90401-20M00	2 - 21	90468-18008	10 - 39		13 - 4
65W-85790-00	13 - 1	90167-06002	16 - 34	90249-10M31	20 - 36	90430-06014	4 - 13		17 - 10		13 - 9
65W-86129-20	12 - 5	90170-06015	18 - 19	90249-12M34	20 - 30		32 - 8		18 - 21		13 - 14
90101-06020	21 - 20	90170-09M03	29 - 5	90249-12M38	21 - 16	90430-08020	26 - 29		18 - 32		13 - 27
90101-08M76	20 - 12	90170-20137	3 - 14	90249-12M39	20 - 28		26 - 34		18 - 34		14 - 5
90101-08M86	22 - 14		11 - 6	90249-18M35	21 - 29		34 - 16		19 - 11		16 - 27
90101-09M01	29 - 7	90171-14013	27 - 16	90250-05010	26 - 45		34 - 17		19 - 13		18 - 9

NUMERICAL INDEX  
INDEX NUMERIQUE

PART NO. NO. PIECES	REF. NO.	PART NO. NO. PIECES	REF. NO.	PART NO. NO. PIECES	REF. NO.	PART NO. NO. PIECES	REF. NO.	PART NO. NO. PIECES	REF. NO.	PART NO. NO. PIECES	REF. NO.
92995-06600	18 - 28	93210-26130	26 - 9	95895-10040	8 - 6	97880-05016	24 - 11				
	21 - 24		34 - 8	97013-06016	25 - 7	97980-04114	7 - 28				
	24 - 6		34 - 9	97013-06025	25 - 4		33 - 11				
	25 - 17	93210-33MH2	8 - 12	97075-06020	13 - 26	98580-03015	31 - 38				
	26 - 18		32 - 19		26 - 57	98580-04006	7 - 2				
	26 - 22	93210-43MJ0	22 - 10	97075-06025	25 - 16		31 - 36				
	26 - 58	93210-45161	26 - 15	97075-06050	24 - 5	98580-04008	7 - 16				
	34 - 30		34 - 12	97075-08030	22 - 17	98580-04010	31 - 35				
92995-08100	22 - 18		34 - 27	97075-10080	22 - 22	98580-05010	31 - 37				
92995-08200	22 - 13	93210-50768	23 - 29	97080-08016	21 - 25	99080-08600	20 - 38				
92995-10600	20 - 54	93210-64ME7	26 - 53	97095-05012	4 - 9	99530-08012	2 - 3				
	21 - 31		34 - 18	97095-05016	11 - 8		4 - 16				
	22 - 23	93210-65M50	26 - 56		13 - 15						
	27 - 6		34 - 20	97095-06010	18 - 10						
92995-12200	21 - 34	93306-00612	26 - 52	97095-06012	10 - 35						
93101-20M07	26 - 55	93315-220V7	26 - 6		10 - 37						
	34 - 19	93315-22004	26 - 54		13 - 3						
93101-22067	26 - 27	93332-000W5	26 - 3		14 - 4						
	34 - 15	93332-00005	26 - 39		16 - 17						
93102-35M47	3 - 2	93430-06024	31 - 10	97095-06014	16 - 26						
	32 - 13	93430-10M00	20 - 31		21 - 23						
93102-37M40	8 - 1		21 - 17	97095-06016	12 - 18						
	32 - 17	93450-09M01	4 - 4		13 - 8						
93102-43M42	3 - 1	93450-17129	3 - 11		13 - 13						
	32 - 12	93501-08001	23 - 59	97095-06020	4 - 11						
93110-16004	24 - 2	93604-10M03	26 - 24		11 - 24						
	34 - 5	93605-14143	8 - 4	97095-06025	6 - 10						
93210-03478	23 - 51	93606-11M24	27 - 4		9 - 26						
93210-06ME6	26 - 20	93606-12019	25 - 12		10 - 1						
	34 - 13	93608-12M05	25 - 9		11 - 15						
93210-064A5	23 - 26	93700-06M03	20 - 16		12 - 18						
93210-08006	23 - 50		21 - 8		18 - 27						
93210-09165	23 - 34	94701-00375	4 - 27		26 - 21						
93210-10M74	23 - 63	95380-03600	9 - 11	97095-06030	9 - 18						
93210-11073	23 - 53	95380-05600	9 - 13		12 - 10						
93210-11368	23 - 24		31 - 7	97095-06040	12 - 24						
93210-12MG9	8 - 13	95380-06600	17 - 7		26 - 17						
	32 - 20		31 - 40		34 - 29						
93210-14515	8 - 14	95380-06700	18 - 20	97095-06055	18 - 8						
	32 - 21	95380-08600	20 - 13	97095-08014	4 - 22						
93210-16275	29 - 10	95380-08700	15 - 14	97380-05025	31 - 8						
93210-18397	23 - 44	95380-10600	20 - 56	97380-08030	31 - 33						
93210-22164	26 - 8	95380-10700	17 - 37	97575-06516	13 - 35						
	34 - 10	95380-12600	21 - 36	97595-06520	4 - 21						
93210-24M79	4 - 25	95680-06100	1 - 14	97595-06525	19 - 7						
	9 - 16	95780-10300	17 - 36	97780-60520	1 - 3						
	32 - 11	95895-06030	13 - 31		10 - 32						
	32 - 22	95895-06035	26 - 31	97803-04010	7 - 5						

F20A/F25A  
PARTS CATALOGUE  
©2002 by Yamaha Motor Co., Ltd.  
1st Edition, Jun. 2002  
All rights reserved.  
Any reprinting or unauthorized use  
without the written permission of  
Yamaha Motor Co., Ltd.  
is expressly prohibited.

F20A/F25A  
CATALOGUE DE PIÈCES DÉTACHÉES  
©2002 Yamaha Motor Co., Ltd.  
1ère Edition, Juin. 2002  
Tous droits réservés.  
Toute réimpression ou utilisation  
sans la permission écrite de la  
Yamaha Motor Co., Ltd.  
est formellement interdite.