

**PARTS
CATALOGUE
CATALOGO
DE REPUESTOS**

115B'03(6E52)

140B'03(6F32)

YAMAHA
GENUINE
Parts & Accessories

2B6E5-200S1

FOREWORD

This Parts Catalogue is related to the parts for the model(s) in the below frame. When you are ordering replacement parts, please refer to this Parts Catalogue and quote both part numbers and part names correctly.

115B'03(6E52), 140B'03(6F32)

1. Modifications or additions which have been made after issue of the Parts Catalogue will be announced in the Yamaha Parts News.
It is advisable that you make necessary corrections to the Parts Catalogue according to the Yamaha Parts News.

2. Abbreviations
The Following abbreviations are used in this Parts Catalogue.

“UR” Use specified parts number.

“UN” Use as many as needed.

“AP” Alternate Parts

“LM” Local Made
(Parts need to be ordered locally)

“O/S” Over Size

3. Parts, which are to be supplied in an assembly, are listed with a dot(.) in front of the part name as shown below.

EXAMPLE

CARBURETOR ASSY

.JET, PILOT

.NOZZLE, MAIN

4. Number of component for assembly

The numeral appearing to the right of each component part indicates the quantity of parts for each assembly unit.

EXAMPLE

PART NO.	DESCRIPTION	u	u	u	u	REMARKS
6E0-85500-70	C.D.I. MAGNETO ASSY	1				
6E0-85550-70	.ROTOR ASSY	1				
6E0-15723-00-94..	PULLY, STARTER	1				

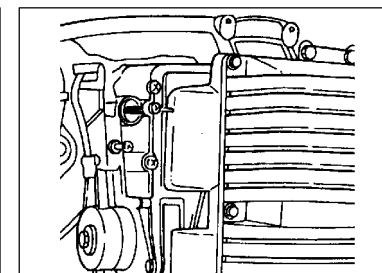
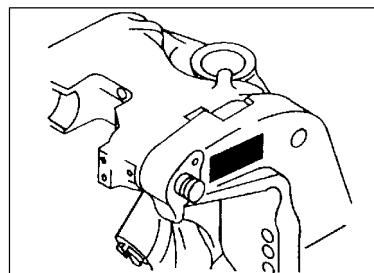
5. Quantity Column Information

NAME for Q'TY COLUMN	APPLICABLE MODEL
E	115BE
ET	115BET, 140BET

6. Applicable Starting Serial No. and Color Code

1) Engine Starting Serial No.

115BE L 6E5 : 1000001	140BET L/X 6F3 : 1000001
115BET L/X 6E5 : 1000001	



2) Color Code

Color Code	Color Name	Abbreviation
004D	DARK BLUISH GRAY METALLIC 2	DBNM2

7. Note that the illustrations for reference in finding parts numbers, not to be used for assembling. When assembling, please use the applicable service manual.

8. The asterisk (*) before a reference number indicates modification items after the first edition.

CONTENTS

SHEET 1/2

TOP COWLING	A4
CYLINDER. CRANKCASE 1	A5
CRANKSHAFT. PISTON	A7
CYLINDER. CRANKCASE 2	B2
INTAKE	B4
CARBURETOR	B6
FUEL	C1
GENERATOR	C3
ELECTRICAL 1	C4
ELECTRICAL 2	C5
STARTING MOTOR	C7
BOTTOM COWLING	D1
CONTROL	D3
BRACKET 1	D6
BRACKET 2	E1
BRACKET 3	E3
BRACKET 4	E5
BRACKET 5	E7
POWER TRIM & TILT ASSY 1	F2
POWER TRIM & TILT ASSY 2	F4
UPPER CASING	F6

INDEX

NUMERICAL INDEX	G1
-----------------------	----

SHEET 2/2

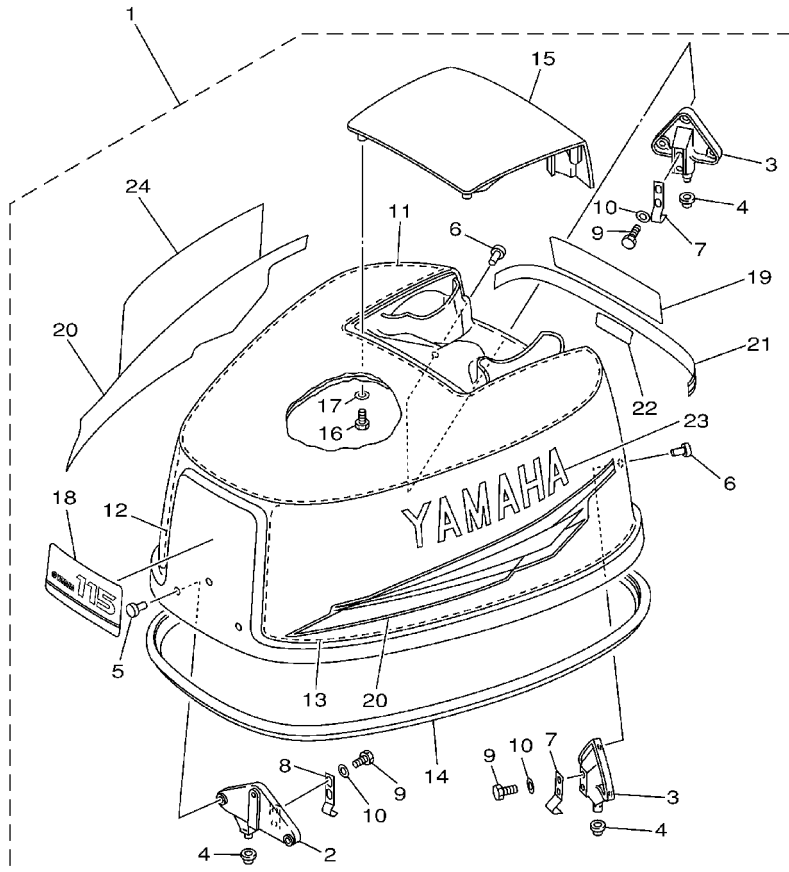
LOWER CASING. DRIVE 1	A4*
LOWER CASING. DRIVE 2	B1*
FUEL TANK	B3*
STEERING GUIDE	B4*
REMOTE CONTROL BOX	B5*
REMOTE CONTROL ASSY	B6*
METER	C2*
REPAIR KIT 1	C3*
REPAIR KIT 2	C5*

INDEX

NUMERICAL INDEX	G1*
-----------------------	-----

FIG. 1 TOP COWLING

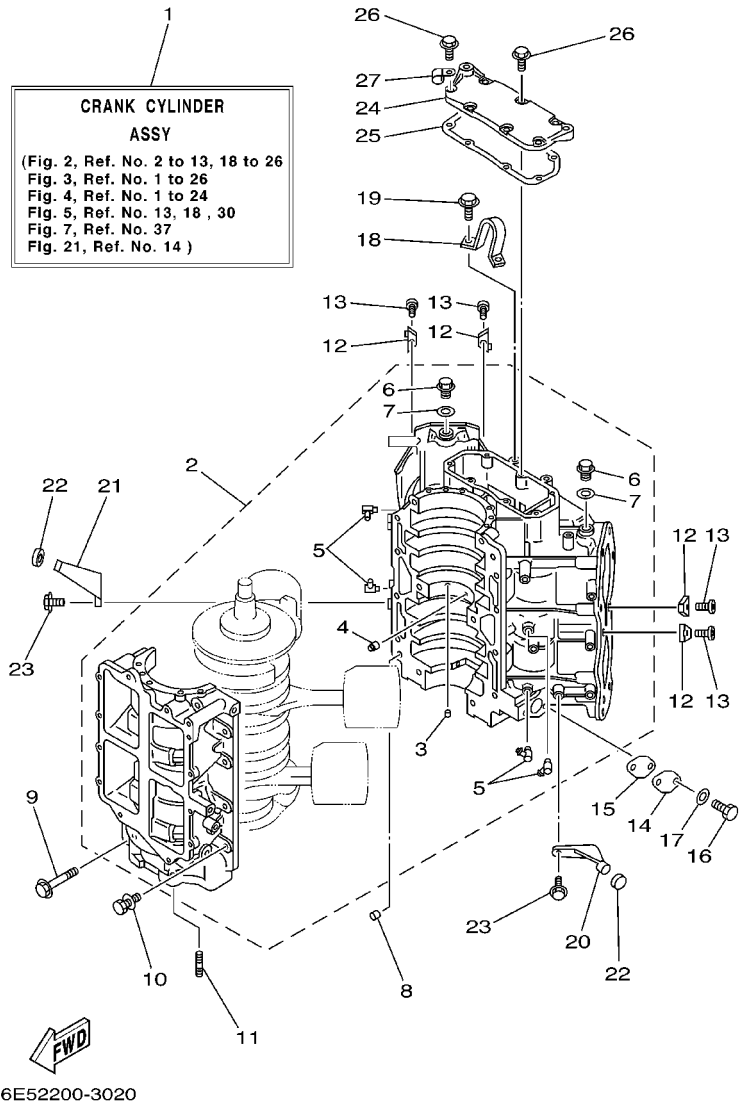
SOPORTE SUPERIOR



6E51200-2010

REF. NO.	PART NO. CODIGO NO.	DESCRIPTION DESCRIPTION	U	U		REMARKS OBSERVACION
1	6E5-42610-80-4D	TOP COWLING ASSY SOPORTE SUPERIOR COMPL.	1	1		115B
	6F3-42610-40-4D	TOP COWLING ASSY SOPORTE SUPERIOR COMPL.		1		140B
2	6E5-42647-00-94	.HOLDER, CLAMP BAND .MORDAZA DE ABRAZADERA	1	1		
3	6E5-42649-01-94	.HOLDER, CLAMP BAND .MORDAZA DE ABRAZADERA	2	2		
4	663-42662-00	.DAMPER .AMORTIGUADOR	3	3		
5	90266-06009	.RIVET .REMACHE	3	3		
6	90266-06M02	.RIVET .REMACHE	6	6		
7	6E5-42652-00	.HOOK .GANCHO	2	2		
8	688-42652-00	.HOOK .GANCHO	1	1		
9	97095-06016	.BOLT .PERNO	6	6		
10	92995-06600	.WASHER .ARANDELA	6	6		
11	6E5-42617-00	.DAMPER, FORM .HULE DE FORMA	1	1		
12	6E5-42619-00	.DAMPER, FORM .HULE DE FORMA	1	1		
13	6E5-42627-00	.DAMPER, FORM .AMORTIGUADOR FORMA 3	1	1		
14	6E5-42615-00	.SEAL .SELLO	1	1		
15	6E5-42613-01-4D	.MOLDING, AIR DUCT .MOLDURA CONDUCTO AIRE	1	1		
16	97095-06016	.BOLT .PERNO	4	4		
17	92995-06600	.WASHER .ARANDELA	4	4		
18	6E5-42677-40	.GRAPHIC, FRONT .CALCAMONIA FRONTAL	1	1		115B
	6F3-42677-40	.GRAPHIC, FRONT .CALCAMONIA FRONTAL		1		140B
19	6E5-42678-31	.GRAPHIC, REAR .CALCAMONIA TRASERA	1	1		115B
	6F3-42678-31	.GRAPHIC, REAR .CALCAMONIA TRASERA		1		140B
20	6N7-W0070-30	.GRAPHIC SET .JUEGO DE EMBLEMA	1	1		
21	6E5-4267A-31	.GRAPHIC, REAR 2 .CALCAMONIA TRASERA 2	1	1		
22	6N7-42678-30	.GRAPHIC, REAR .CALCAMONIA TRASERA	1	1		
23	6N7-42681-30	.MARK, COWLING .MARCA DE CUBIERTA	1	1		
24	6N7-42682-30	.MARK, COWLING .MARCA DE CUBIERTA	1	1		

FIG. 2 CYLINDER. CRANKCASE 1 CYLINDRO. CARTER 1



REF. NO.	PART NO. CODIGO NO.	DESCRIPTION DESCRIPTION	U	U		REMARKS OBSERVACION
1	6E5-W0090-55-1S	CRANK CYLINDER ASSY BLOQUE MOTOR COMPLETO	1	1		115B
	6F3-W0090-66-1S	CRANK CYLINDER ASSY BLOQUE MOTOR COMPLETO		1		140B
2	6N6-15100-01-1S	CRANKCASE ASSY CARTER COMPLETO	1	1		115B
	6N7-15100-01-1S	CRANKCASE ASSY CARTER COMPLETO		1		140B
3	624-11379-00	.VALVE, CHECK .VALVULA DE CONTROL	1	1		
4	663-11518-01	.LOCK, BEARING .SEGURO BALERO	1	1		
5	6E5-11372-01	.NIPPLE, HOSE .NIPLE DE MANGUERA	4	4		
6	90340-14M00	.PLUG, STRAIGHT SCREW .TORNILLO, DE DRENAJE	2	2		
7	90430-14115	.GASKET .JUNTA	2	2		
8	93608-12063	PIN, DOWEL PASADOR DE CLAVIJA	2	2		
9	90105-10M20	BOLT, FLANGE TORNILLO	6	6		
10	90119-08M94	BOLT, WITH WASHER TORNILLO CON ARANDELA	8	8		
11	90116-08M45	BOLT, STUD ESPARRAGO	2	2		
12	6E5-11325-00	ANODE ANODO	4	4		
13	98780-04015	SCREW, FLAT HEAD TORNILLO CABEZA PLANA	4	4		
14	6R3-1131M-01	COVER CUBIERTA	1	1		
15	6R3-11397-01	GASKET EMPAQUE	1	1		
16	97013-06016	BOLT PERNO	2	2		
17	92903-06600	WASHER, PLATE RONDANA SENCILLA	2	2		
18	6E5-11119-01	HANGER, ENGINE SOPORTE DEL MOTOR	1	1		
19	90119-08MA3	BOLT, WITH WASHER TORNILLO CON ARANDELA	2	2		
20	6E5-42761-00-1S	STOPPER RETEN 1	1	1		
21	6E5-42762-00-1S	STOPPER RETEN 2	1	1		
22	68F-44533-00	DAMPER, UPPER MOUNT RUBBER AMORTIGUADOR SUPERIOR	2	2		
23	90119-06MA2	BOLT, WITH WASHER TORNILLO CON ARANDELA	4	4		
24	6E5-11371-00-1S	COVER CUBIERTA 1	1	1		
25	6E5-11381-A2	GASKET 1 EMPAQUE 1	1	1		

FIG. 2 CYLINDER. CRANKCASE 1 CILINDRO. CARTER 1

REF. NO.	PART NO. CODIGO NO.	DESCRIPTION DESCRIPCION	QTY CANT				REMARKS OBSERVACION
26	90119-06MA2	BOLT, WITH WASHER TORNILLO CON ARANDELA	7	7			
27	90465-06M86	CLAMP BRIDA	1	1			

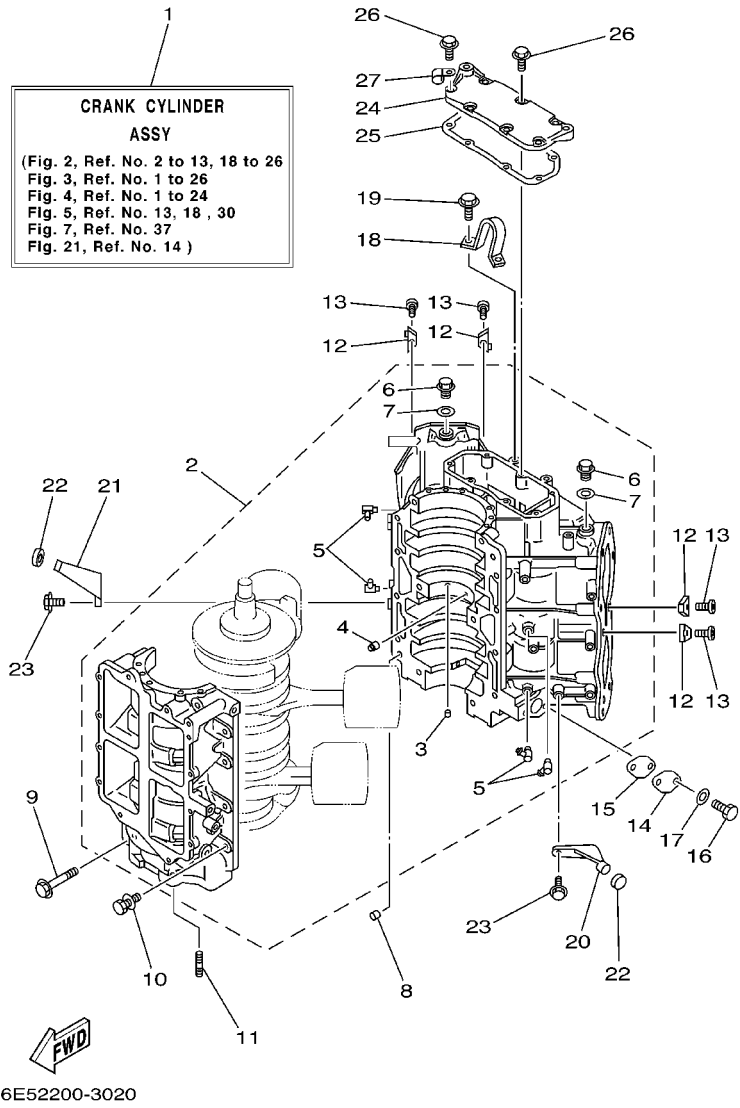
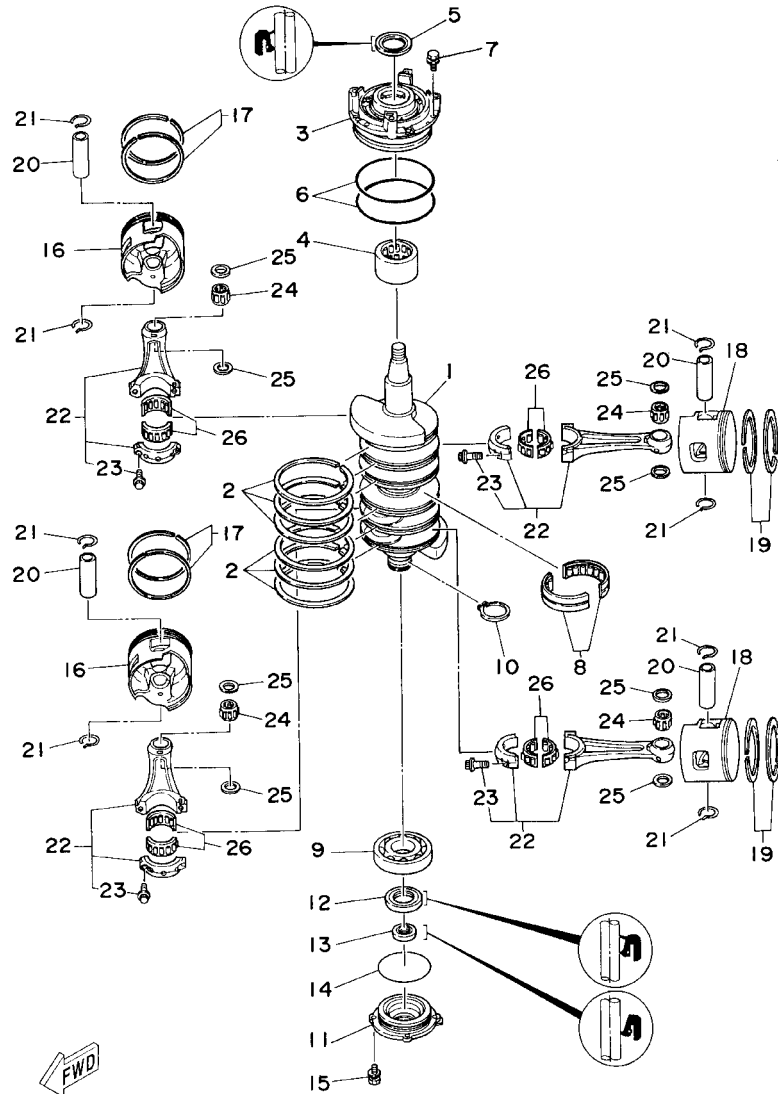


FIG. 3 CRANKSHAFT. PISTON

CIGUENAL. PISTON

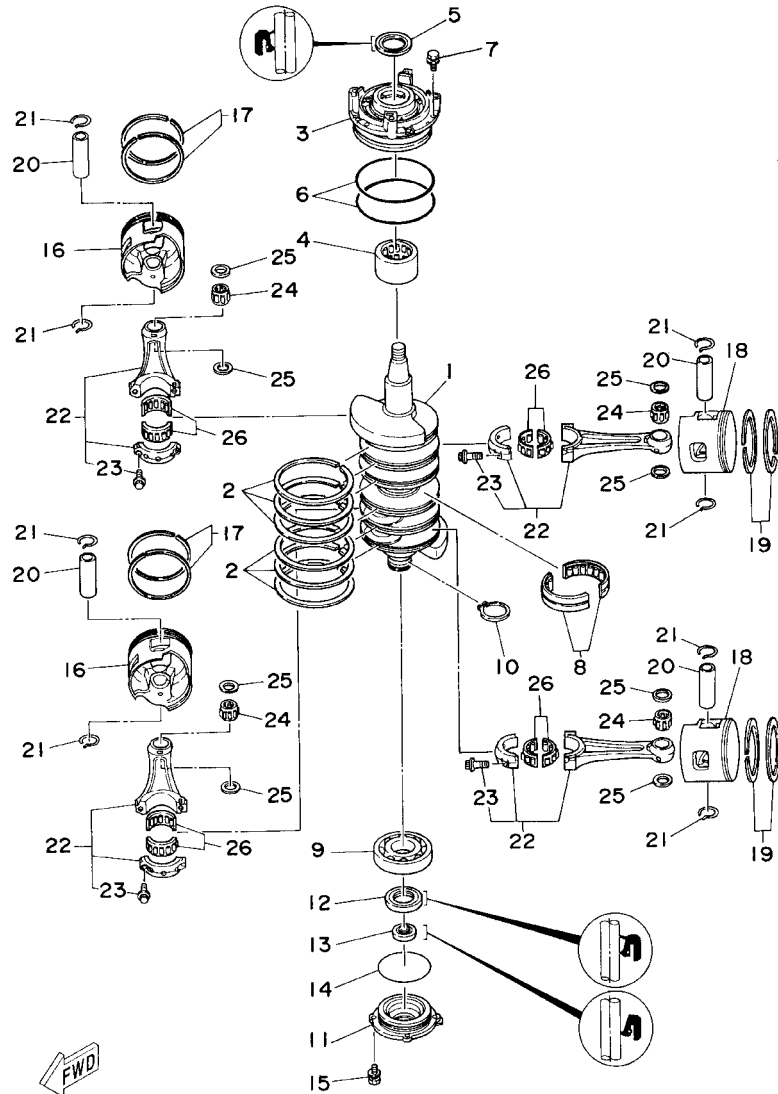


6E52010-3030

REF. NO.	PART NO. CODIGO NO.	DESCRIPTION DESCRIPTION	Q	Q			REMARKS OBSERVACION
1	6N7-11411-01	CRANKSHAFT CIGUENAL	1	1			
2	6E5-11447-00	SEAL, CRANK SELLO MANIVELA	6	6			
3	6E5-15163-00-1S	HOUSING, BEARING 1 CAJA DE COJINETE 1	1	1			
4	93311-940U3	BEARING COJINETE DE RODILLOS	1	1			
5	93102-40M14	OIL SEAL RETEN DE ACEITE	1	1			
6	93211-04001	O-RING ANILLO EN O	2	2			
7	90119-06MA2	BOLT, WITH WASHER TORNILLO CON ARANDELA	4	4			
8	93310-954U1	BEARING COJINETE DE RODILLOS	1	1			
9	93306-208U0	BEARING COJINETE	1	1			
10	93410-40M03	CIRCLIP SEGURO	1	1			
11	6G5-15359-00-94	HOUSING, OIL SEAL CAJA DE SELLO DE ACEITE	1	1			
12	93102-35M13	OIL SEAL RETEN DE ACEITE	1	1			
13	93101-22M15	OIL SEAL RETEN DE ACEITE	1	1			
14	93210-74M35	O-RING JUNTA TORICA	1	1			
15	90119-06MA2	BOLT, WITH WASHER TORNILLO CON ARANDELA	4	4			
16	6R5-11631-11-93	PISTON (STD) PISTON (NORMA)	2	2			
	6R5-11635-11	PISTON (0.25MM O/S) PISTON (0.25MM O/S)	2	2			AP
	6R5-11636-11	PISTON (0.50MM O/S) PISTON (0.50MM O/S)	2	2			AP
17	64D-11603-01	PISTON RING SET (STD) JUEGO DE ANILLOS (NORMA)	2	2			
	64D-11604-01	PISTON RING SET (0.25MM O/S) JUEGO DE ANILLOS (0.25MM O/S)	2	2			AP
	64D-11605-01	PISTON RING SET (0.50MM O/S) JUEGO DE ANILLOS (0.50MM O/S)	2	2			AP
18	6R5-11642-11-93	PISTON 2 (STD) PISTON 2 (NORMA)	2	2			
	6R5-11645-11	PISTON 2 (0.25MM O/S) PISTON 2 (0.25MM O/S)	2	2			AP
	6R5-11646-11	PISTON 2 (0.50MM O/S) PISTON 2 (0.50MM O/S)	2	2			AP
19	64D-11603-01	PISTON RING SET (STD) JUEGO DE ANILLOS (NORMA)	2	2			
	64D-11604-01	PISTON RING SET (0.25MM O/S) JUEGO DE ANILLOS (0.25MM O/S)	2	2			AP
	64D-11605-01	PISTON RING SET (0.50MM O/S) JUEGO DE ANILLOS (0.50MM O/S)	2	2			AP

FIG. 3 CRANKSHAFT. PISTON

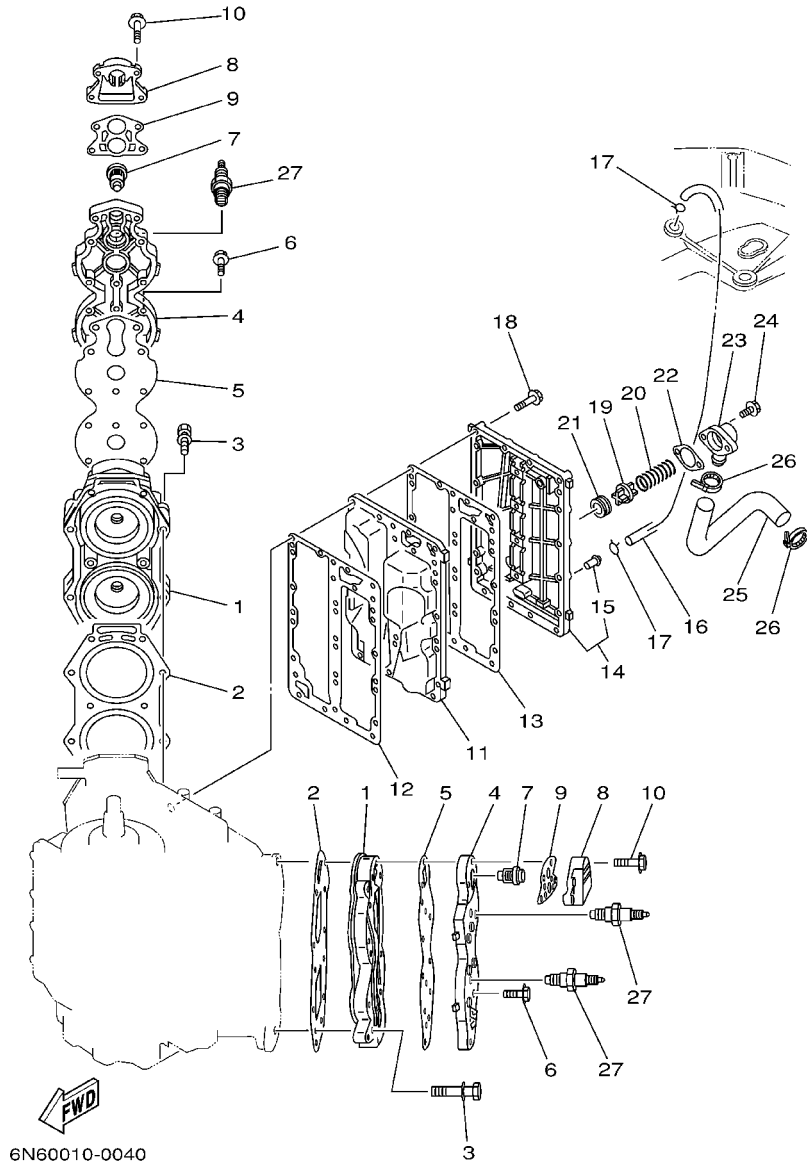
CIGUENAL. PISTON



FWD
6E52010-3030

REF. NO.	PART NO. CODIGO NO.	DESCRIPTION DESCRIPTION	U	U			REMARKS OBSERVACION
20	6R5-11633-10	PIN, PISTON PASADOR, PISTON	4	4			
21	6R5-11634-10	CLIP, PISTON PIN PRESILLA, BULON DE PISTON	8	8			
22	6R5-11650-10	CONNECTING ROD ASSY BIELA COMPLETA	4	4			
23	90109-08022	.BOLT .PERNO	2	2			
24	93310-323V6	BEARING COJINETE DE RODILLOS	4	4			
25	90201-23M01	WASHER, PLATE ARANDELA PLANA	8	8			
26	93310-836U0	BEARING COJINETE DE RODILLOS	4	4			

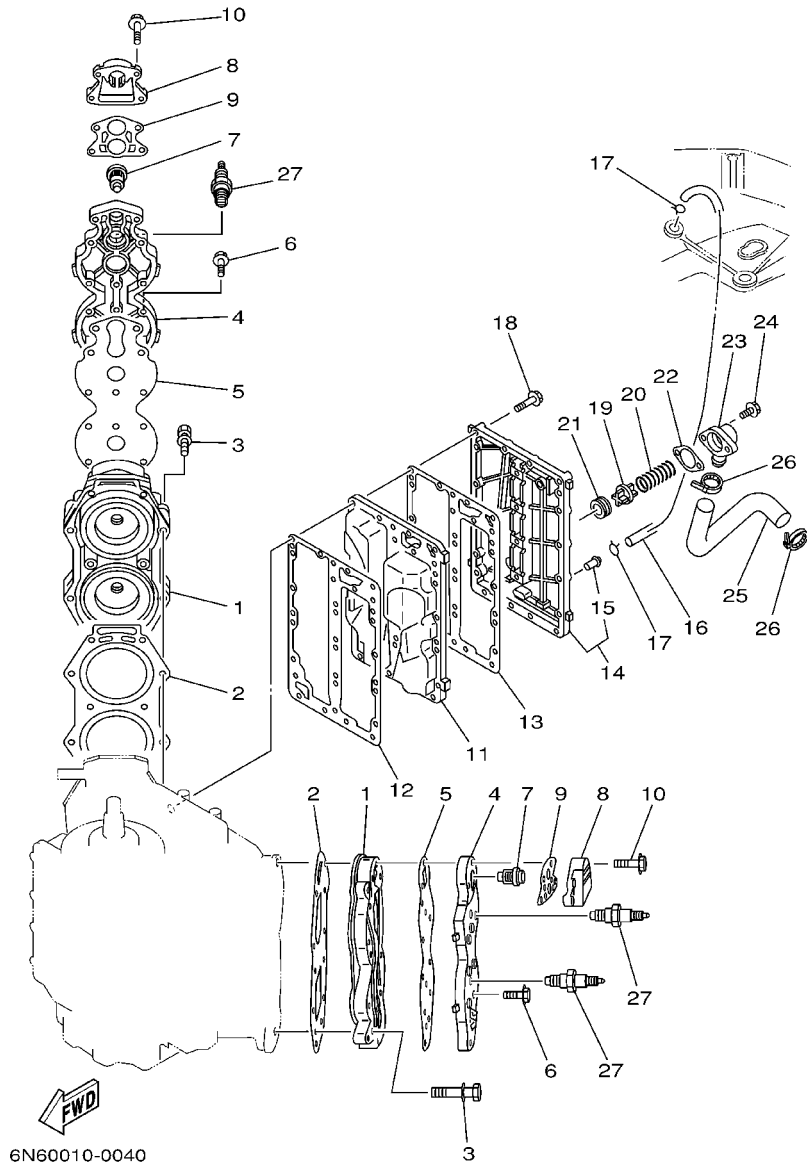
FIG. 4 CYLINDER. CRANKCASE 2 CYLINDRO. CARTER 2



6N60010-0040

REF. NO.	PART NO. CODIGO NO.	DESCRIPTION DESCRIPTION	U	UT		REMARKS OBSERVACION
1	6E5-11111-10-1S	HEAD, CYLINDER 1 CULATA CILINDRO 1	2	2		115B
	6L1-11111-00-1S	HEAD, CYLINDER 1 CULATA CILINDRO 1		2		140B
2	6E5-11181-A1	GASKET, CYLINDER HEAD 1 JUNTA, DE CULATA 1	2	2		
3	90119-08MA8	BOLT, WITH WASHER TORNILLO CON ARANDELA	20	20		
4	6E5-11191-01-1S	COVER, CYLINDER HEAD 1 TAPA CULATA DE CILINDRO 1	2	2		
5	6E5-11193-A0	GASKET, HEAD COVER 1 EMPAQUE	2	2		
6	90119-06MA4	BOLT, WITH WASHER TORNILLO CON ARANDELA	24	24		
7	6E5-12411-30	THERMOSTAT TERMOSTAT	2	2		
8	6G5-12413-00-1S	COVER, THERMOSTAT CUBIERTA TERMOSTATO	2	2		
9	688-12414-A1	GASKET, COVER EMPAQUE	2	2		
10	90119-06MA6	BOLT, WITH WASHER TORNILLO CON ARANDELA	8	8		
11	6E5-41111-00-1S	INNER COVER, EXHAUST CUBIERTA INTERIOR DE ESCAPE	1	1		115B
	6L1-41111-00-1S	INNER COVER, EXHAUST CUBIERTA INTERIOR DE ESCAPE		1		140B
12	6E5-41112-A1	GASKET, EXHAUST INNER COVER EMPAQUE	1	1		
13	6E5-41112-A1	GASKET, EXHAUST INNER COVER EMPAQUE	1	1		
14	6N7-41113-00-1S	OUTER COVER, EXHAUST CUBIERTA EXTERIOR DE ESCAPE	1	1		
15	650-24378-00	.PIPE, JOINT 4 .TUBO DE UNION 4	1	1		
16	6E5-24312-00	PIPE 2 TUBO 2	1	1		
17	90467-08004	CLIP PRESILLA	2	2		
18	90119-06MA5	BOLT, WITH WASHER TORNILLO CON ARANDELA	23	23		
19	6G5-12416-00	VALVE, PRESSURE CONTROL VALVULA DE CONTROL DE PRESION	1	1		
20	90501-16M11	SPRING, COMPRESSION RESORTE DE COMPRESION	1	1		
21	90480-20M05	GROMMET TAPON	1	1		
22	6G5-11382-A1	GASKET 2 EMPAQUE 2	1	1		
23	6G5-11372-00-1S	COVER, BYPASS 2 CUBIERTA	1	1		
24	90119-06MA2	BOLT, WITH WASHER TORNILLO CON ARANDELA	2	2		
25	6E5-12576-00	HOSE 1 MANGUERA 1	1	1		

FIG. 4 CYLINDER. CRANKCASE 2 CYLINDRO. CARTER 2



REF. NO.	PART NO. CODIGO NO.	DESCRIPTION DESCRIPTION	E	ET			REMARKS OBSERVACION
26	90465-13M18	CLAMP BRIDA	2	2			
27	94702-00160	PLUG, SPARK (NGK B8HS-10) BUJIA (NGK B8HS-10)	4	4			115B
	94702-00247	PLUG, SPARK (NGK BR8HS-10) BUJIA (NGK BR8HS-10)		4			115B-FOR CHINA
	94702-00317	PLUG, SPARK (NGK B9HS-10) BUJIA (NGK B9HS-10)		4			140B
	94702-00309	PLUG, SPARK (NGK BR9HS-10) BUJIA (NGK BR9HS-10)		4			140B-FOR CHINA
<hr/>							
<hr/>							
<hr/>							
<hr/>							
<hr/>							
<hr/>							
<hr/>							

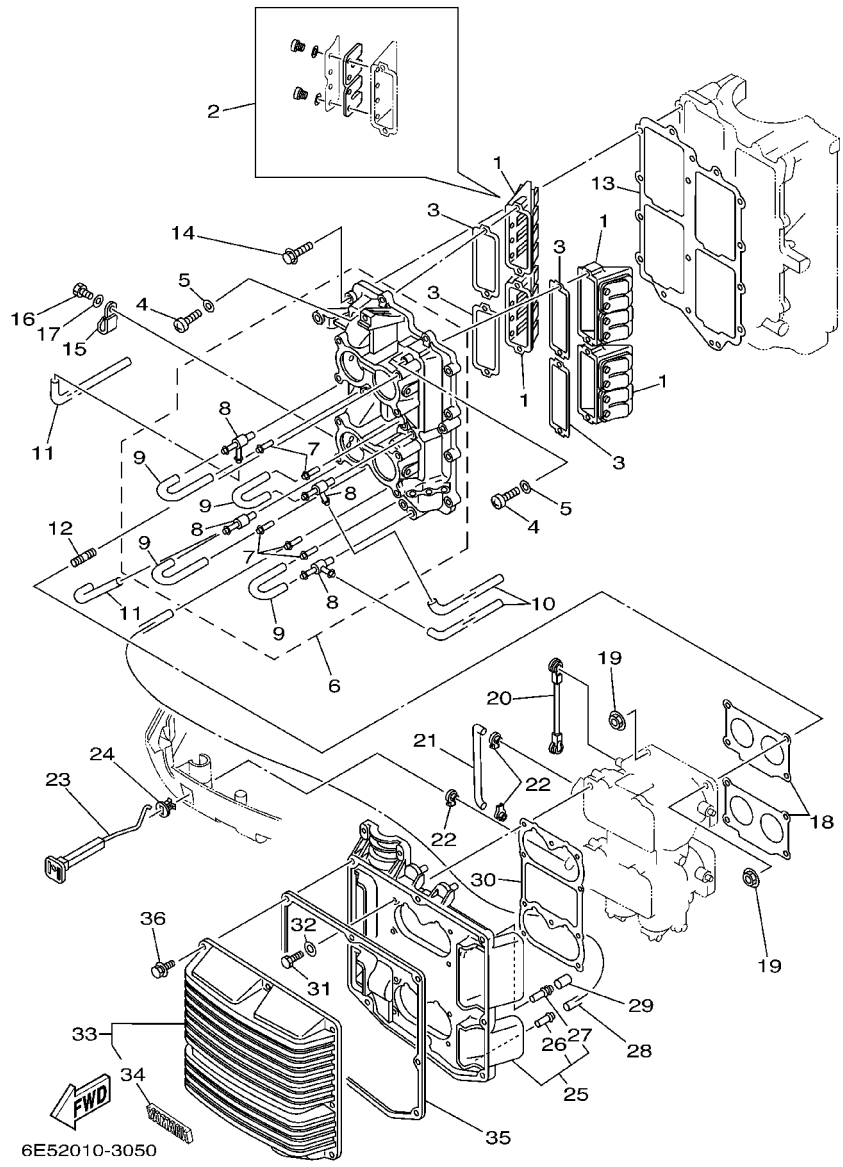


FIG. 5 INTAKE ADMISION

REF. NO.	PART NO. CODIGO NO.	DESCRIPTION DESCRIPTION	E	ET	REMARKS OBSERVACION
1	6E5-13610-00	REED VALVE ASSY VALVULA DE LAMINAS COMPLETA	4	4	
2	6E5-W0004-00	.REED SET .JUEGO DE VALVULAS DE LENGUETA	1	1	
3	6E5-13621-A1	GASKET, VALVE SEAT JUNTA, DE VALV.DE EMPAQUE	4	4	
4	97880-05025	SCREW, PAN HEAD TORNILLO DE CABEZA CON PLANA	8	8	
5	92990-05600	WASHER, PLATE ARANDELA PLANA	8	8	
6	6E5-13641-03-1S	MANIFOLD 1 MULTIPLE 1	1	1	
7	624-14485-00	.PIPE, JOINT .TUBO DE UNION	5	5	
8	6E5-11370-01	.CHECK VALVE ASSY .VALVULA DE CONTROL COMPL.	4	4	
9	90445-07M28	.HOSE (L70) .TUBO (L70)	4	4	
10	90445-07M24	HOSE (L240) TUBO (L240)	2	2	
11	90445-07M46	HOSE (L360) TUBO (L360)	2	2	
12	90116-06M30	BOLT, STUD ESPARRAGO	8	8	
13	6E5-13645-A1	GASKET, MANIFOLD 1 EMPAQUE	1	1	
14	90119-06MA3	BOLT, WITH WASHER TORNILLO CON ARANDELA	12	12	
15	90465-06M86	CLAMP BRIDA	1	1	
16	97095-06012	BOLT PERNO	1	1	
17	92995-06600	WASHER ARANDELA	1	1	
18	6E5-14198-A2	GASKET EMPAQUE	2	2	
19	90179-06M28	NUT TUERCA	8	8	
20	6E5-41217-01	ROD, ACCEL. LEVER VARILLA PALANCA ACELERADOR	1	1	
21	6E5-41256-01	ROD, CHOKE 1 VARILLA DE AHOGADOR	1	1	
22	661-41262-02	JOINT, CHOKE LEVER CONECTOR DE AHOGADOR	3	3	
23	6E5-41271-02	KNOB, CHOKE PERILLA AHOGADOR	1	1	
24	689-41273-00	GROMMET TAPON PROTECTOR	1	1	
25	6E5-14417-10-94	COVER 1 CUBIERTA 1	1	1	
26	624-14485-00	.PIPE, JOINT .TUBO DE UNION	1	1	
27	6E5-14485-00	.PIPE, JOINT .TUBO DE UNION	1	1	

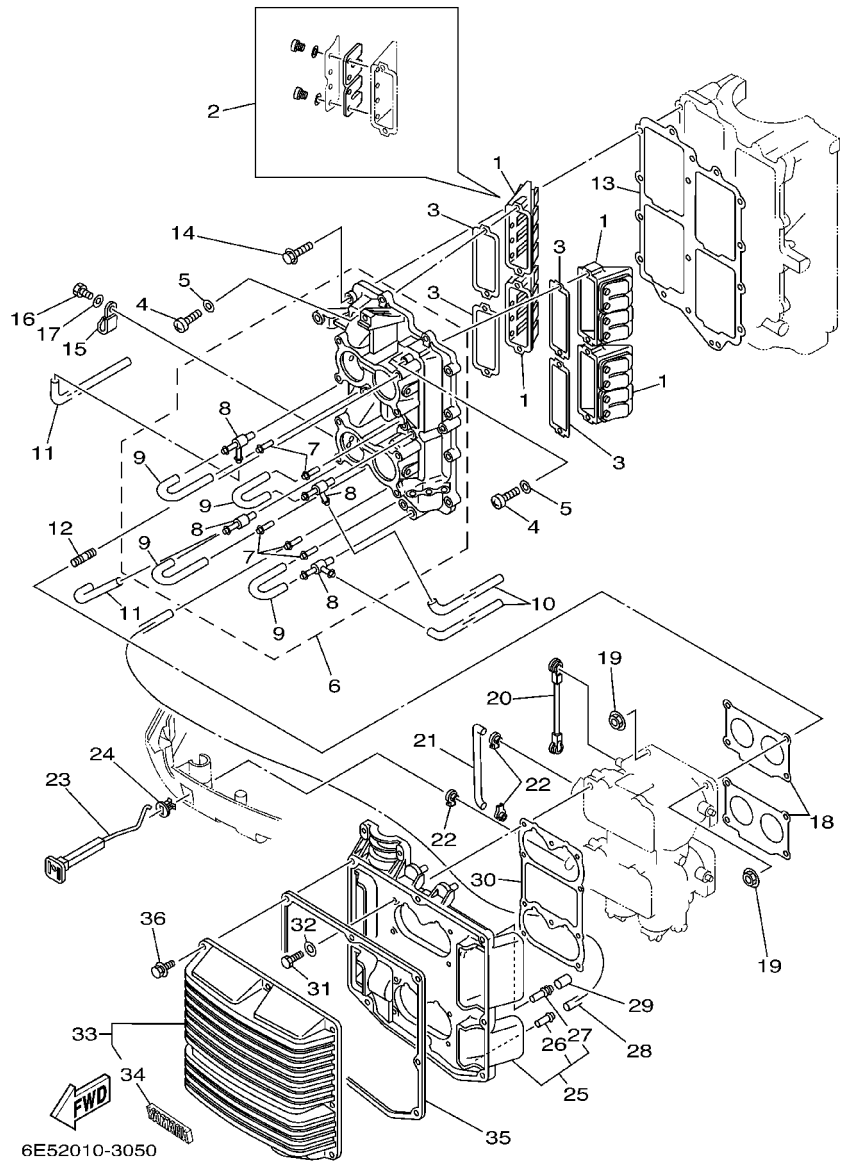
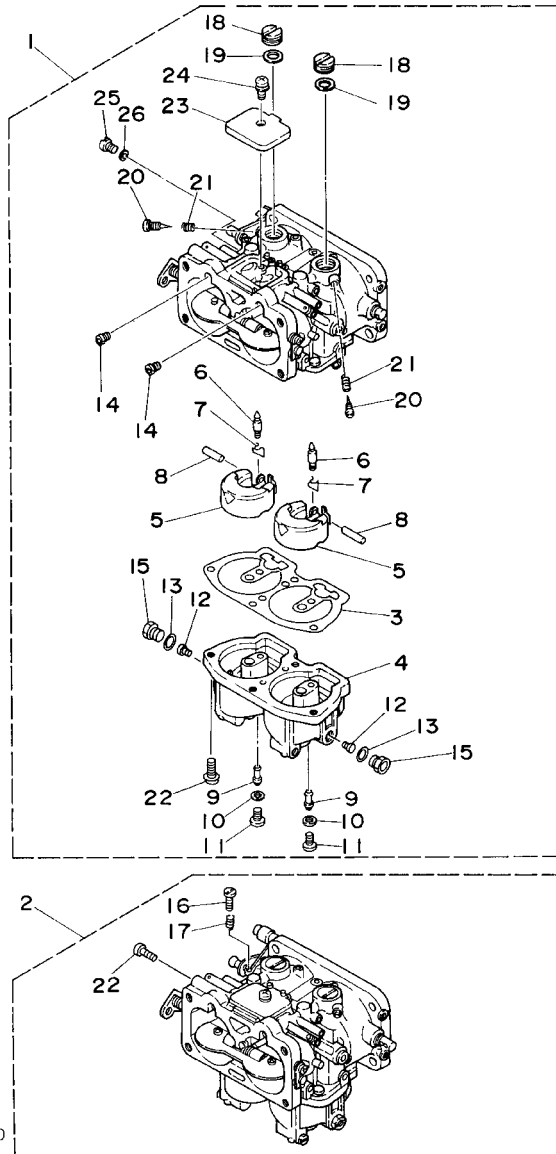


FIG. 5 INTAKE ADMISION

REF. NO.	PART NO. CODIGO NO.	DESCRIPTION DESCRIPTION	E	ET	REMARKS OBSERVACION
28	90445-07M23	HOSE (L408) TUBO (L408)	1	1	
29	647-14395-60	CAP. OVERFLOW PIPE TAPA DE TUBO REBOSAMIENTO	1	1	
30	6E5-14483-A1	GASKET EMPAQUE	1	1	
31	97013-06020	BOLT PERNO	8	8	
32	92903-06600	WASHER, PLATE RONDANA, SENCILLA	8	8	
33	6E5-14418-00	COVER 2 CUBIERTA 2	1	1	
34	6E5-1441K-00	.EMBLEM .EMBLEMA	1	1	
35	6E5-14416-A1	GASKET, AIR CLEANER EMPAQUE	1	1	
36	90119-06M31	BOLT, WITH WASHER TORNILLO CON ARANDELA	8	8	

FIG. 6 CARBURETOR

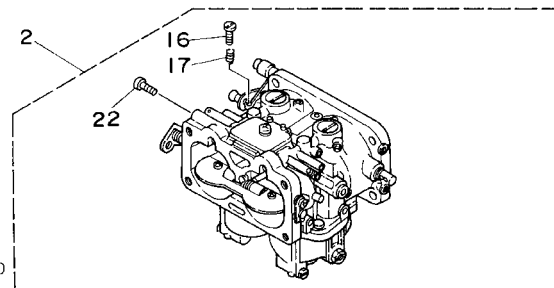
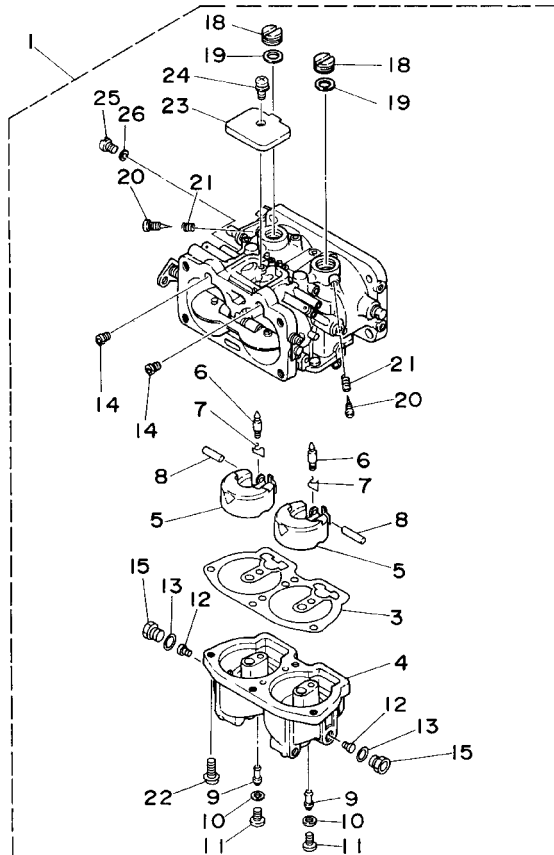
CARBURADOR



REF. NO.	PART NO. CODIGO NO.	DESCRIPTION DESCRIPTION	QTY	QTY	REMARKS OBSERVACION
1	6E5-14301-16	CARBURETOR ASSY 1 CARBURADOR COMPLETO 1	1	1	115B
	6E5-14301-41	CARBURETOR ASSY 1 CARBURADOR COMPLETO 1		1	115B-FOR BRAZIL
	6L1-14301-04	CARBURETOR ASSY 1 CARBURADOR COMPLETO 1		1	140B
2	6E5-14302-16	CARBURETOR ASSY 2 CARBURADOR COMPLETO 2	1	1	115B
	6E5-14302-41	CARBURETOR ASSY 2 CARBURADOR COMPLETO 2		1	115B-FOR BRAZIL
	6L1-14302-04	CARBURETOR ASSY 2 CARBURADOR COMPLETO 2		1	140B
3	64D-14384-01	.GASKET, FLOAT CHAMBER .EMPAQUE DE CAMARA DE BOIA	2	2	
4	64D-14381-00	.BODY, FLOAT CHAMBER .CUERPO DE CAMARA DE BOIA	2	2	
5	6E5-14385-02	.FLOAT .BOIA	4	4	
6	6E5-14546-00	.VALVE, NEEDLE .VALVULA_DE AGUJA	4	4	
7	6E5-14159-00	.CLIP .PRESILLA	4	4	
8	6E5-14386-02	.PIN, FLOAT .PASADOR DE BOIA	4	4	
9	64D-1492F-39	.JET, AIR SLOW (#78) .ESPREA (#78)	4	4	115B
	6E5-1492F-44	.JET, AIR SLOW (#88) .ESPREA (#88)		4	115B-FOR BRAZIL
	64D-1492F-41	.JET, AIR SLOW (#82) .ESPREA (#82)		4	140B
10	61U-14959-00	.GASKET .EMPAQUE	4	4	
11	64D-14394-00	.VALVE, DRAIN .VALVULA DE DRENAJE	4	4	
12	64D-1492E-88	.JET, MAIN (#176) .INYECTOR, PRINCIPAL (#176)	4	4	115B
	64D-1492E-9H	.JET, MAIN (#195) .INYECTOR, PRINCIPAL (#195)		4	115B-FOR BRAZIL
	64D-1492E-90	.JET, MAIN (#180) .INYECTOR, PRINCIPAL (#180)		4	140B
13	6E5-14398-00	.GASKET .EMPAQUE	4	4	
14	61A-1492H-12	.JET, SLOW AIR BLEED (#60) .ESPREA AIRE (#60)	4	4	
15	61A-14383-01	.SCREW, DRAIN .TORNILLO DE DRENAJE	4	4	
16	6E5-14321-00	.SCREW, THROTTLE .TORNILLO DE OBTURADOR	1	1	#2
17	6J8-14334-00	.SPRING, THROTTLE .RESORTE DE AJUSTADOR DE AIRE	1	1	#2
18	6E5-14328-01	.PLUG .TORNILLO TOPE DE PILOTO	4	4	
19	6E5-14979-00	.GASKET .EMPAQUE DE ARRANQUE	4	4	

FIG. 6 CARBURETOR

CARBURADOR



6N60010-4060

REF. NO.	PART NO. CODIGO NO.	DESCRIPTION DESCRIPTION	U	U1				REMARKS OBSERVACION
20	6E5-14323-03	.SCREW, AIR ADJUSTING .TORNILLO DE AJUSTE DE AIRE	4	4				
21	6E5-14223-00	.SPRING, AIR ADJUSTING .RESORTE, AJUSTE DE AIRE	4	4				
22	97980-05116	.SCREW, WITH WASHER .TORNILLO, CON ARANDELA	9	9				
23	6E5-14527-01	.PLATE .PLACA	2	2				
24	97980-05108	.SCREW, WITH WASHER .TORNILLO, CON ARANDELA	2	2				
25	6E5-14324-00	.SCREW, FLAT HEAD .TORNILLO CABEZA PLANA	2	2				
26	6J8-14959-00	.GASKET .EMPAQUE	2	2				

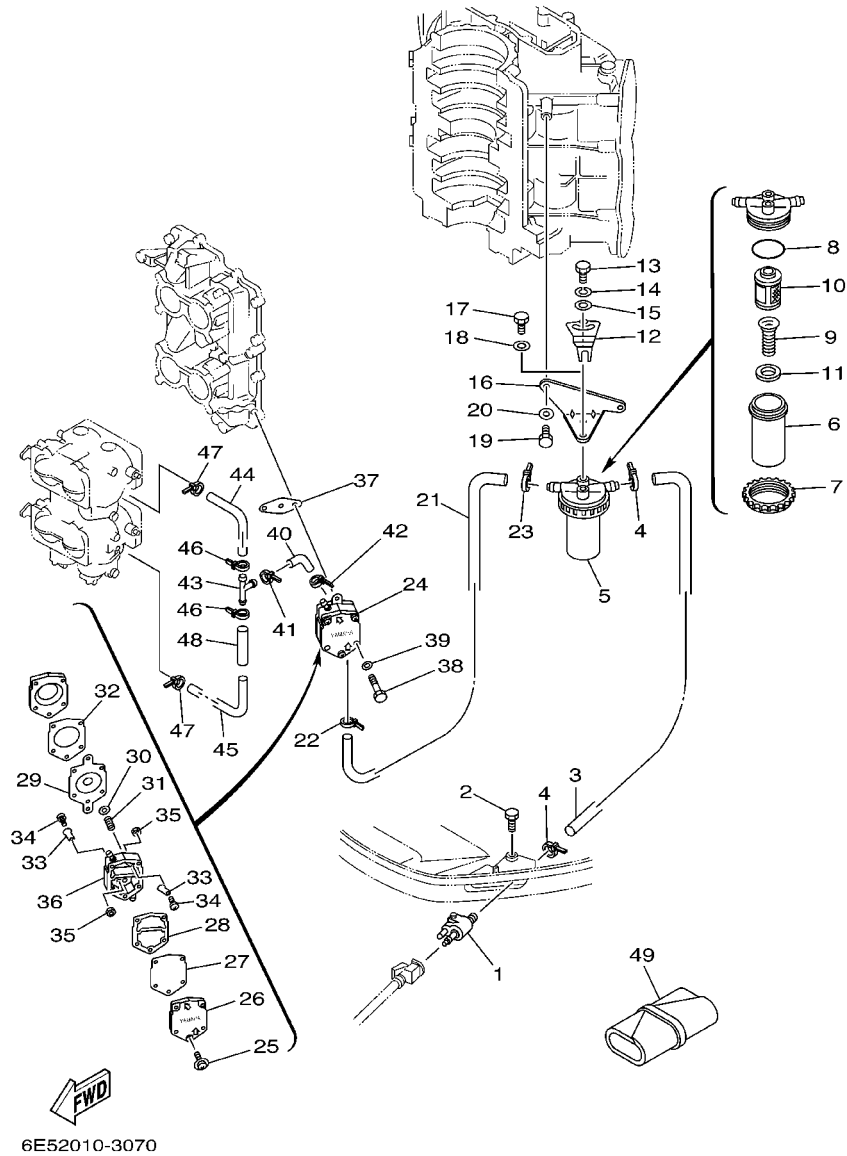
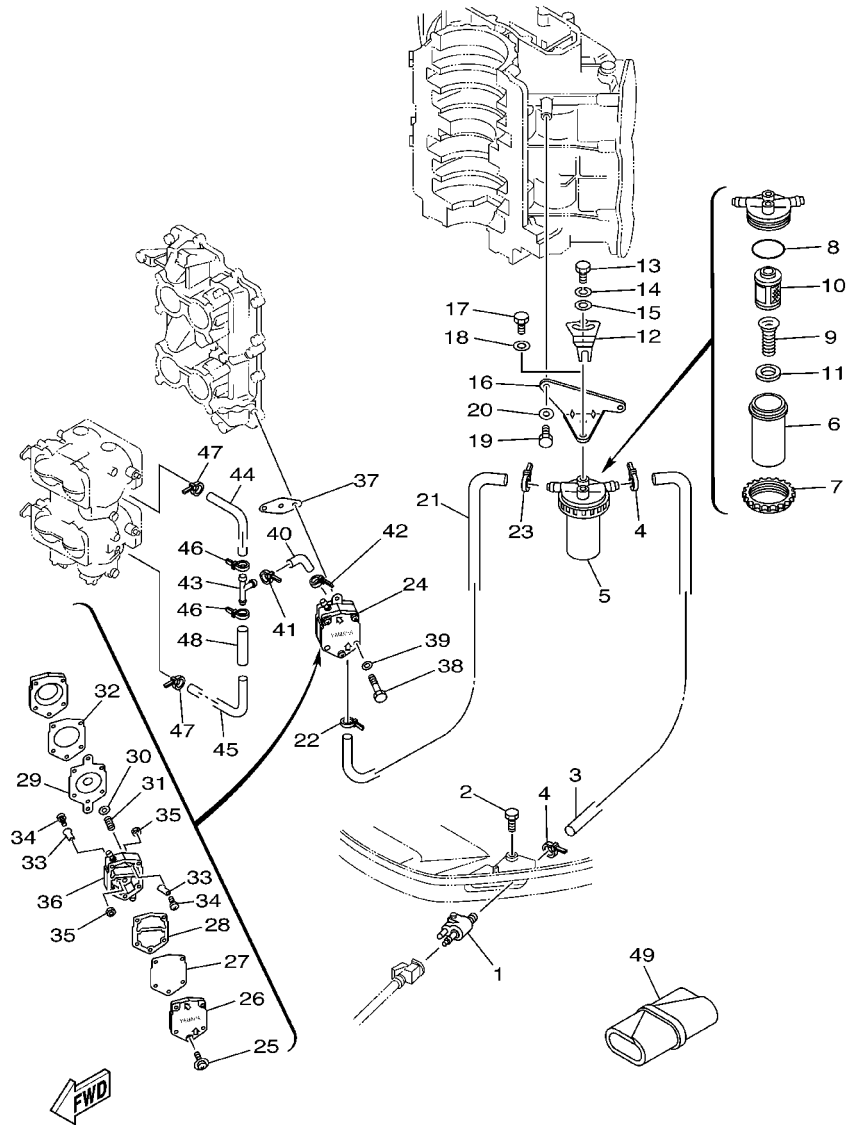


FIG. 7 FUEL

COMBUSTIBLE

REF. NO.	PART NO. CODIGO NO.	DESCRIPTION DESCRIPTION	U	ET			REMARKS OBSERVACION
1	6E5-24304-10	FUEL PIPE JOINT COMP. 1 CONECTOR MANGUERA COMBUST.1	1	1			
2	97095-06028	BOLT PERNO	1	1			
3	61U-24313-00	PIPE 3 TUBO 3	1	1			
4	90465-11M10	CLAMP BRIDA	2	2			
5	61A-24560-04	FILTER ASSY FILTRO COMPLETO	1	1			
6	61A-24521-00	.CUP, FILTER .COPA DE FILTRO	1	1			
7	65L-24531-01	.NUT .TUERCA	1	1			
8	61A-24564-00	.O-RING .ANILLO O	1	1			
9	61A-24577-01	.SPRING .RESORTE	1	1			
10	61A-24563-00	.ELEMENT, FILTER .ELEMENTO DEL FILTRO	1	1			
11	61A-24469-00	.FLOAT, WATER LEVEL .BOIA	1	1			
12	65L-24558-00	HOLDER, FILTER SOPORTE DE FILTRO	1	1			
13	97095-06016	BOLT PERNO	1	1			
14	92995-06100	WASHER, SPRING ARANDELA	1	1			
15	90201-06068	WASHER, PLATE ARANDELA PLANA	1	1			
16	61U-24566-01	BRACKET, FILTER SOPORTE DEL FILTRO	1	1			
17	97095-06014	BOLT PERNO	1	1			
18	92995-06600	WASHER ARANDELA	1	1			
19	97095-06016	BOLT PERNO	2	2			
20	92995-06600	WASHER ARANDELA	2	2			
21	61U-24314-00	PIPE 4 TUBO 4	1	1			
22	90465-11M10	CLAMP BRIDA	1	1			
23	90465-11M10	CLAMP BRIDA	1	1			
24	6E5-24410-03	FUEL PUMP ASSY BOMBA DE COMBUSTIBLE COMPLETA	1	1			
25	6E5-24444-00	.SCREW .TORNILLO	3	3			
26	6E5-24413-00	.BODY 2 .CUERPO 2	1	1			
27	6E5-24471-00	.DIAPHRAGM .DIAFRAGMA	1	1			



6E52010-3070

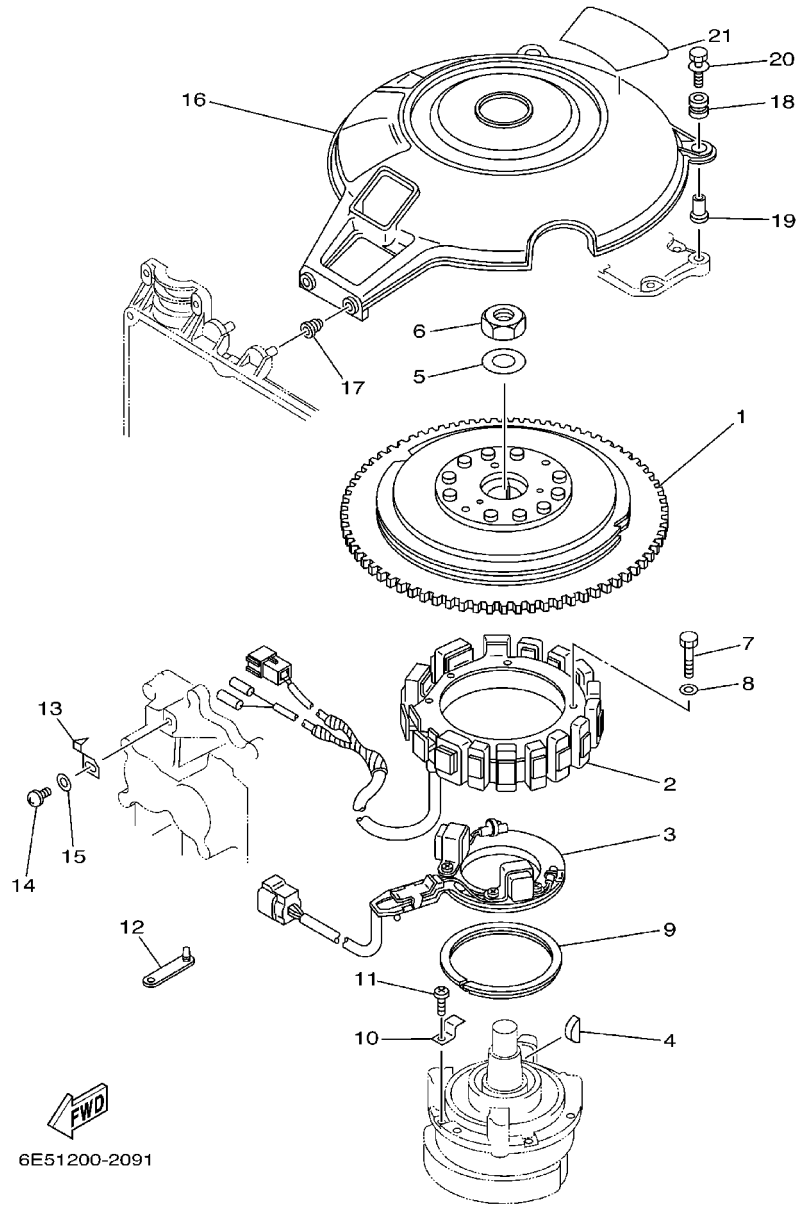
FIG. 7 FUEL

COMBUSTIBLE

REF. NO.	PART NO. CODIGO NO.	DESCRIPTION DESCRIPTION	E	ET	REMARKS OBSERVACION
28	6E5-24435-00	.GASKET, BODY 2 .EMPAQUE	1	1	
29	6E5-24411-00	.DIAPHRAGM .DIAFRAGMA	1	1	
30	648-24424-00	.SEAT, SPRING .PLACA DE RESORTE	1	1	
31	6E5-24423-00	.SPRING, DIAPHRAGM .RESORTE DE DIAFRAGMA	1	1	
32	6E5-24434-02	.GASKET, BODY .EMPAQUE	1	1	
33	6A0-24421-01	.VALVE, CHECK .VALVULA DE RETENCION	4	4	
34	6A0-14325-00	.SCREW, PAN HEAD .TORNILLO CABEZA REDONDA	4	4	
35	95380-03600	.NUT .TUERCA	4	4	
36	6E5-24412-10	.BODY 1 .CUERPO 1	1	1	
37	650-24431-A0	GASKET, FUEL PUMP 1 EMPAQUE_BOMBA_COMBUST_1	1	1	
38	97095-06050	BOLT PERNO	2	2	
39	92995-06600	WASHER ARANDELA	2	2	
40	6G5-24316-10	PIPE 6 TUBO 6	1	1	
41	90465-11M10	CLAMP BRIDA	1	1	
42	90465-11M10	CLAMP BRIDA	1	1	
43	6E5-24376-10	PIPE, JOINT 1 TUBO DE UNION 1	1	1	
44	6G5-24318-10	PIPE, OVERFLOW TUBO DE REBOSAMIENTO	1	1	
45	6G5-24319-10	PIPE, OIL TUBO DE ACEITE	1	1	
46	90465-11M10	CLAMP BRIDA	2	2	
47	90465-11M10	CLAMP BRIDA	2	2	
48	90446-15M07	HOSE TUBO RESEIRADERO	1	1	
49	656-W2810-02	TOOL KIT JUEGO DE HERRAMIENTAS	1	1	

FIG. 8 GENERATOR

GENERADOR

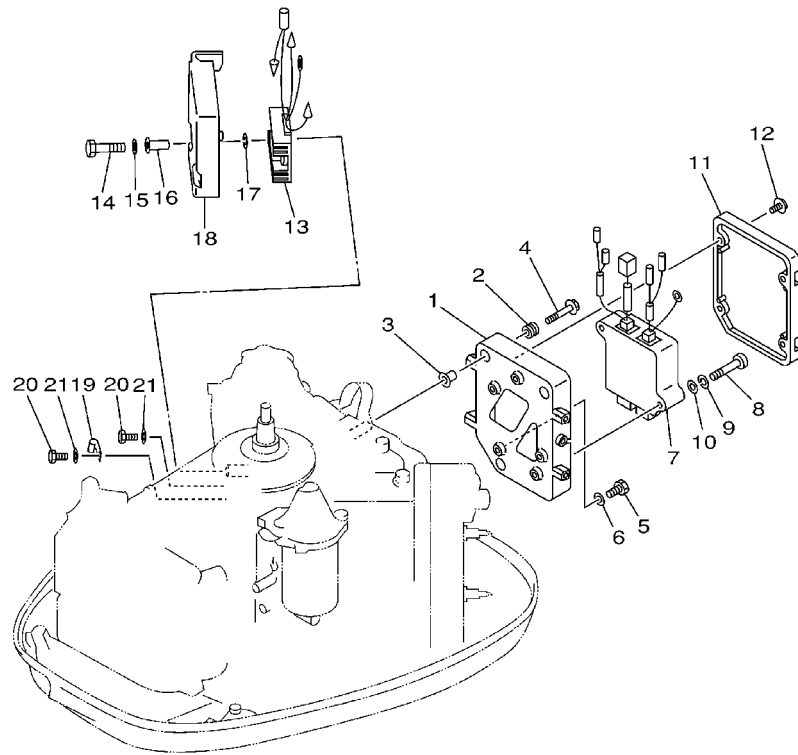


6E51200-2091

REF. NO.	PART NO. CODIGO NO.	DESCRIPTION DESCRIPTION	E	ET			REMARKS OBSERVACION
1	6E5-85550-00	ROTOR ASSY ROTOR COMPLETO	1	1			
2	6E5-85510-01	STATOR ASSY ESTATOR COMPLET	1	1			
3	6E5-85580-00	COIL, PULSER BOBINA DE PULSACION	1	1			
4	90280-05015	KEY, WOODRUFF CUNA WOODRUFF	1	1			
5	90201-21M18	WASHER, PLATE ARANDELA PLANA	1	1			
6	90170-20137	NUT TUERCA	1	1			
7	97013-06060	BOLT PERNO	3	3			
8	92903-06600	WASHER, PLATE RONDANA SENCILLA	3	3			
9	688-41611-00	RETAINER, MAGNETO BASE RETENEDOR BASE MAGNETO	1	1			
10	688-41612-00	RETAINER, MAGNETO BASE RETENEDOR BASE MAGNETO	4	4			
11	97880-06018	SCREW, PAN HEAD TORNILLO DE CABEZA CON PLANA	4	4			
12	90464-12M00	CLAMP BRIDA	1	1			
13	6E5-81332-00	PLATE, TIMING PLACA REGULADOR DE TIEMPO	1	1			
14	97885-06010	SCREW, PAN HEAD TORNILLO A MUESCA	1	1			
15	92995-06600	WASHER ARANDELA	1	1			
16	6E5-81337-01	COVER, FLYWHEEL CUBIERTA DE VOLANTE	1	1			
17	6G5-82317-00	DAMPER, IGNITION COIL AMORTIGUADOR BOBINA ENCENDIDO	2	2			
18	6A0-82317-00	DAMPER, IGNITION COIL AMORTIGUADOR BOBINA ENCENDIDO	2	2			
19	624-42542-00	PIPE TUBO	2	2			
20	90119-06M65	BOLT, WITH WASHER TORNILLO CON ARANDELA	2	2			
21	6E5-14488-00	LABEL, CAUTION ETIQUETA PRECAUCION	1	1			

FIG. 9 ELECTRICAL 1

EQUIPO ELECTRICO 1



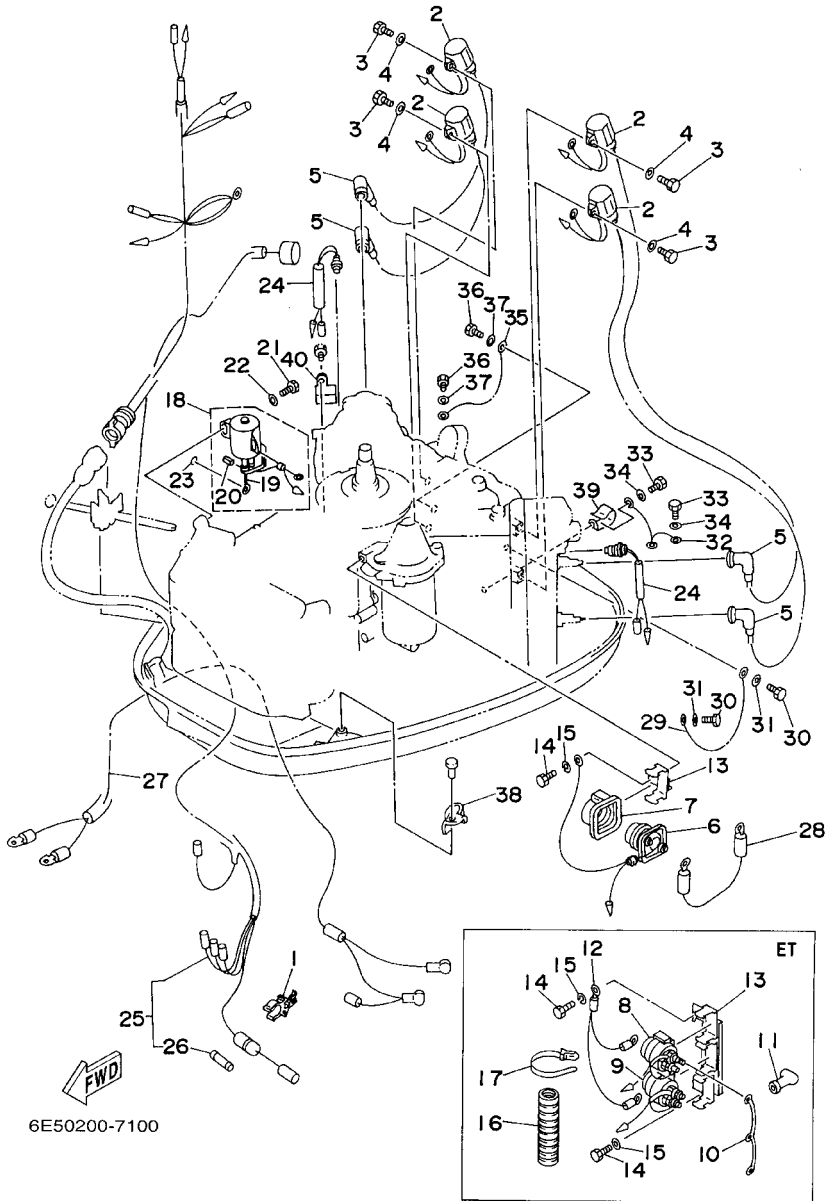
REF. NO.	PART NO. CODIGO NO.	DESCRIPTION DESCRIPTION	E	ET		REMARKS OBSERVACION
1	6N7-85542-01-1S	BRACKET SOPORTE	1	1		
2	6A0-82317-00	DAMPER, IGNITION COIL AMORTIGUADOR BOBINA ENCENDIDO	3	3		
3	624-42542-00	PIPE TUBO	3	3		
4	90119-06M59	BOLT, WITH WASHER TORNILLO CON ARANDELA	3	3		
5	97095-06012	BOLT PERNO	1	1		
6	92995-06600	WASHER ARANDELA	1	1		
7	6E5-85540-00	C.D.I. UNIT ASSY UNIDAD C.D.I. COMPLETA	1	1		
8	97880-06040	SCREW, PAN HEAD TORNILLO DE CABEZA CON PLANA	2	2		
9	92990-06100	WASHER, SPRING ARANDELA GROWER	2	2		
10	92990-06600	WASHER, PLATE ARANDELA PLANA	2	2		
11	6N7-85537-00	COVER CUBIERTA	1	1		
12	90159-06M11	SCREW, WITH WASHER TORNILLO CON VALONA	4	4		
13	6H0-81960-00	RECTIFIER & REGULATOR ASSY RECTIFICADOR Y REGULADOR	1	1		
14	97013-06045	BOLT PERNO	2	2		
15	92903-06600	WASHER, PLATE RONDANA SENCILLA	2	2		
16	90387-06M77	COLLAR COLLAR	2	2		
17	90201-06M05	WASHER, PLATE ARANDELA PLANA	2	2		
18	6E5-81961-00	COVER CUBIERTA	1	1		
19	90465-06M86	CLAMP BRIDA	1	1		
20	97095-06012	BOLT PERNO	2	2		
21	92995-06600	WASHER ARANDELA	2	2		



6E50010-0091

FIG. 10 ELECTRICAL 2

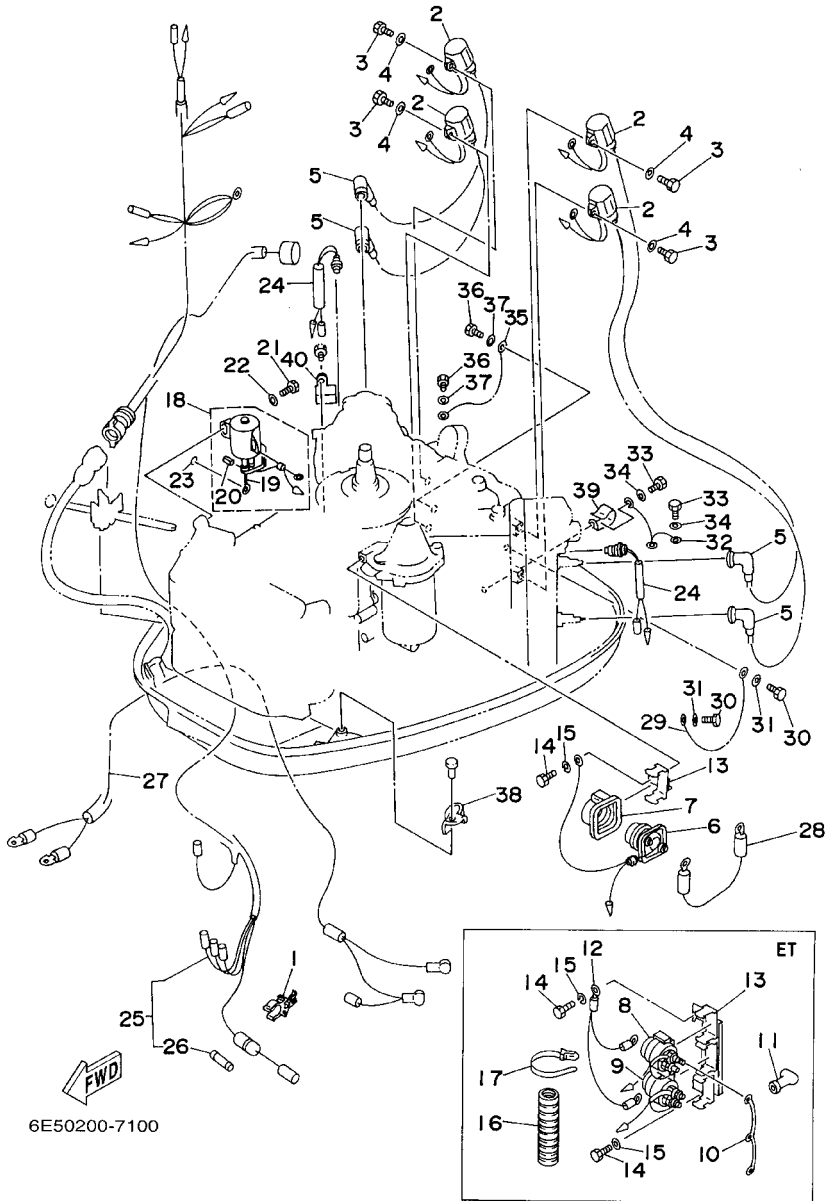
EQUIPO ELECTRICO 2



REF. NO.	PART NO. CODIGO NO.	DESCRIPTION DESCRIPTION	U	U		REMARKS OBSERVACION
1	6G5-82152-00	HOLDER, FUSE PORTA-FUSIBLES	1	1		
2	6R3-85570-01	IGNITION COIL ASSY BOBINA DE IGNICION COMPLETO	4	4		
3	97095-06020	BOLT PERNO	4	4		
4	92995-06600	WASHER ARANDELA	4	4		
5	663-82370-01	PLUG CAP ASSY TAPON DE BUJIA COMPLT.	4	4		
6	61A-81941-00	STARTER RELAY ASSY RELE DE ARRANQUE	1	1		
7	689-81952-10	HOLDER, RELAY SOSTEN DE RELE	1	1		
8	6E5-81950-00	RELAY ASSY RELE COMPLETO		1		
9	6E5-8195A-00	RELAY ASSY RELE COMPLETO		1		
10	6G5-87149-10	CONNECTOR CONECTOR		1		
11	6G5-82119-00	COVER, LEAD WIRE CUBIERTA DE CABLE CONDUCTOR		2		
12	6E5-82116-00	WIRE, MINUS LEAD CABLE CONDUCTOR NEGATIVO		1		
13	6E5-81948-10 6E5-81948-22	BRACKET SOPORTE BRACKET SOPORTE		1 1		
14	97095-06016 97095-06016	BOLT PERNO BOLT PERNO		1 2		
15	92995-06600 92995-06600	WASHER ARANDELA WASHER ARANDELA		1 2		
16	6N7-83557-00	TUBE ENCHUFE DE ACEITE		1		I.DIA.: 22MM
17	90465-13M18	CLAMP BRIDA		1		
18	6E5-86110-02	SOLENOID SOLENOIDE	1	1		
19	6E5-86116-01	WIRE, PULL .ALAMBRE-JALADOR	1	1		
20	91609-30010	PIN, SPRING .PASADOR DE RESORTE	1	1		
21	97095-06016	BOLT PERNO	2	2		
22	92995-06600	WASHER ARANDELA	2	2		
23	93210-03261	O-RING JUNTA TORICA	1	1		
24	688-82560-10	THERMO SWITCH ASSY INTER. DE TERMO	2	2		

FIG. 10 ELECTRICAL 2

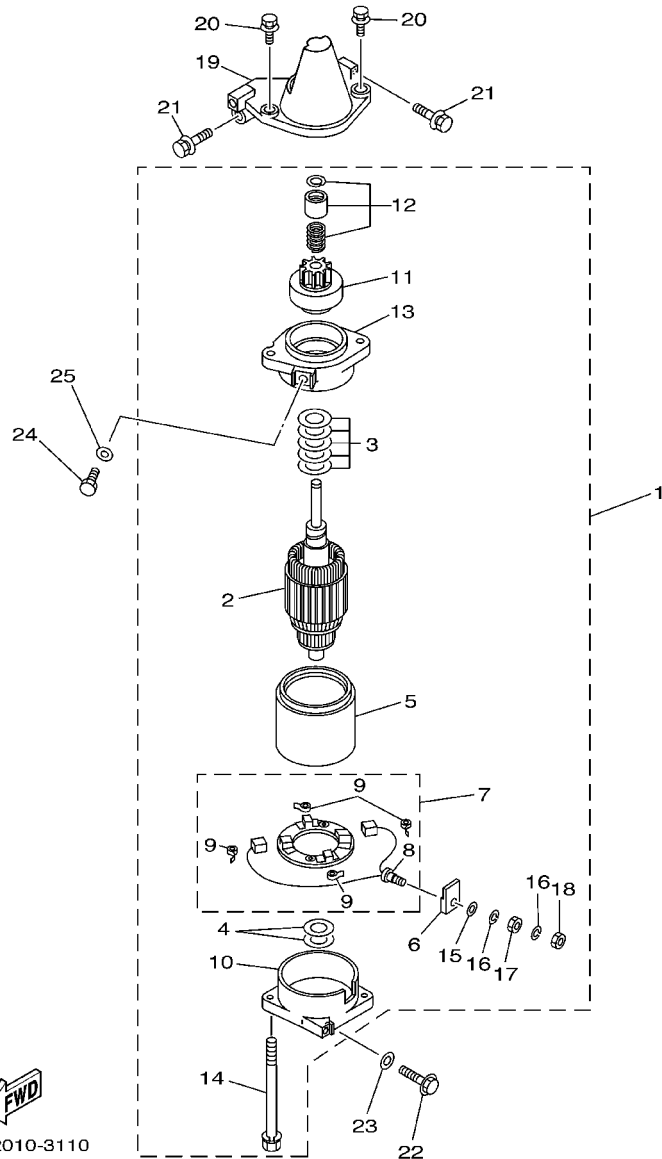
EQUIPO ELECTRICO 2



REF. NO.	PART NO. CODIGO NO.	DESCRIPTION DESCRIPTION	U	U			REMARKS OBSERVACION
25	6E5-82590-04	WIRE HARNESS ASSY CONJUNTO DE CABLES	1	1			
26	663-82151-00	.FUSE (12V-20A) .FUSIBLE (12V-20A)	1	1			
27	6E5-82105-12	WIRE HARNESS ARNES DE CABLES	1	1			
28	6E5-82117-01	WIRE, LEAD CABLE CONDUCTOR	1	1			
29	6R3-82519-00	WIRE, EARTH LEAD CABLE CONDUCTOR A TIERRA	1	1			
30	97095-06012	BOLT PERNO	2	2			
31	92995-06600	WASHER ARANDELA	2	2			
32	6E5-82531-10	WIRE, LEAD CABLE CONDUCTOR	1	1			
33	97095-06012	BOLT PERNO	2	2			
34	92995-06600	WASHER ARANDELA	2	2			
35	662-82519-00	WIRE, EARTH LEAD CABLE CONDUCTOR A TIERRA	1	1			
36	97095-06012	BOLT PERNO	2	2			
37	92995-06600	WASHER ARANDELA	2	2			
38	90465-12M25	CLAMP BRIDA	1	1			
39	90465-05M87	CLAMP BRIDA	1	1			
40	90465-08M89	CLAMP BRIDA	1	1			

FIG. 11 STARTING MOTOR

MOTOR DE ARRANQUE

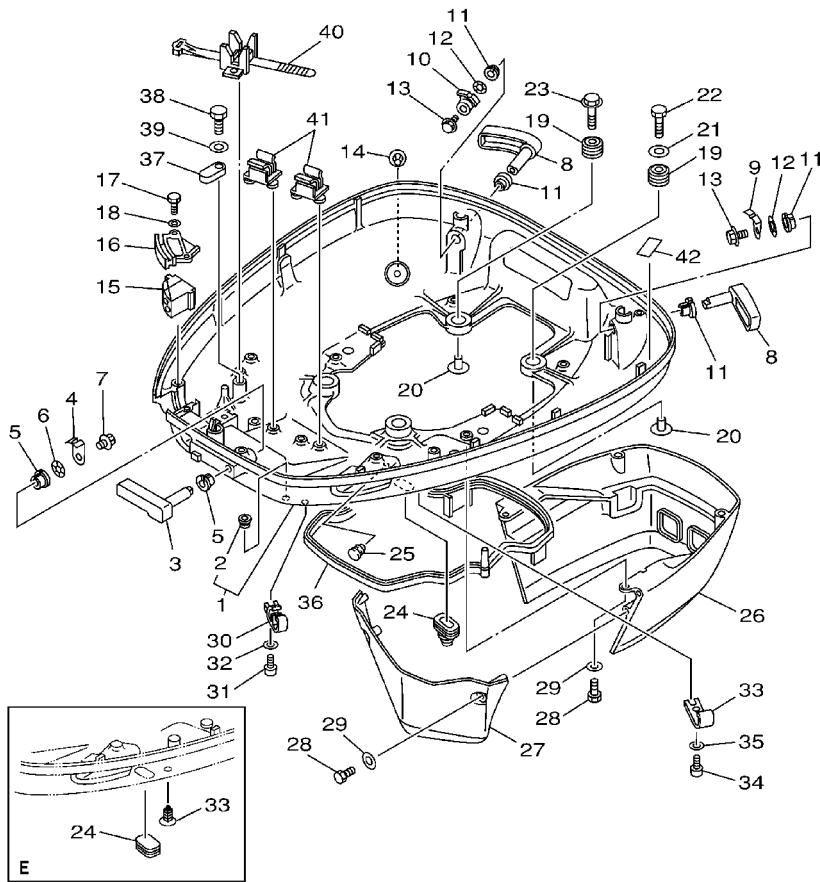


6E52010-3110

REF. NO.	PART NO. CODIGO NO.	DESCRIPTION DESCRIPTION	U	U			REMARKS OBSERVACION
1	6N7-81800-10	STARTING MOTOR ASSY MOTOR DE ARRANQUE COMPLETO	1	1			
2	6N7-81850-10	.ARMATURE ASSY .INDUCIDO COMPLETO	1	1			
3	61A-81809-00	.WASHER KIT .JUEGO DE ARANDELA	1	1			
4	61A-81824-00	.WASHER 2 .ARANDELA 2	2	2			
5	6N7-81810-00	.STATOR ASSY .ESTATOR COMPLETO	1	1			
6	6K7-8182G-10	.BUSH, TERMINAL .BUJE DE TERMINAL	1	1			
7	6N7-81840-00	.BRUSH HOLDER ASSY .SOSTEN DE ESCOBILLA COMPLETO	1	1			
8	6N7-81801-00	..BRUSH SET ..JUEGO DE ESCOBILLA	1	1			
9	6N7-81813-00	..SPRING, BRUSH ..RESORTE DE ESCOBILLA	4	4			
10	6N7-81820-10	.REAR BRACKET ASSY .CUBIERTA TRASERA COMPL	1	1			
11	6N7-81807-00	.GEAR ASSY, STARTING MOTOR .PINON CONJUNTO	1	1			
12	6N7-81857-00	.RETAINER .SEGURO	1	1			
13	6N7-81830-00	.FRONT BRACKET ASSY .SOPORTE DELANTERO COMPLETO	1	1			
14	6K7-81826-10	.BOLT .PERNO	2	2			
15	6E5-8182E-10	.WASHER .RONDANA	1	1			
16	6E5-8182F-10	.WASHER .RONDANA	2	2			
17	6E5-8182A-10	.NUT .TUERCA	1	1			
18	6E5-8182K-10	.NUT .TUERCA	1	1			
19	6E5-81822-02-98	BRACKET, STARTING MOTOR SOPORTE DE MOTOR DE ARRANQUE	1	1			
20	90119-08M76	BOLT, WITH WASHER TORNILLO CON ARANDELA	2	2			
21	90119-08M77	BOLT, WITH WASHER TORNILLO CON ARANDELA	2	2			
22	90119-08M57	BOLT, WITH WASHER TORNILLO CON ARANDELA	1	1			
23	92990-08600	WASHER, PLATE ARANDELA PLANA	1	1			
24	97095-08016	BOLT PERNO	1	1			
25	92995-08600	WASHER ARANDELA	1	1			

FIG. 12 BOTTOM COWLING

CUBIERTA INFERIOR

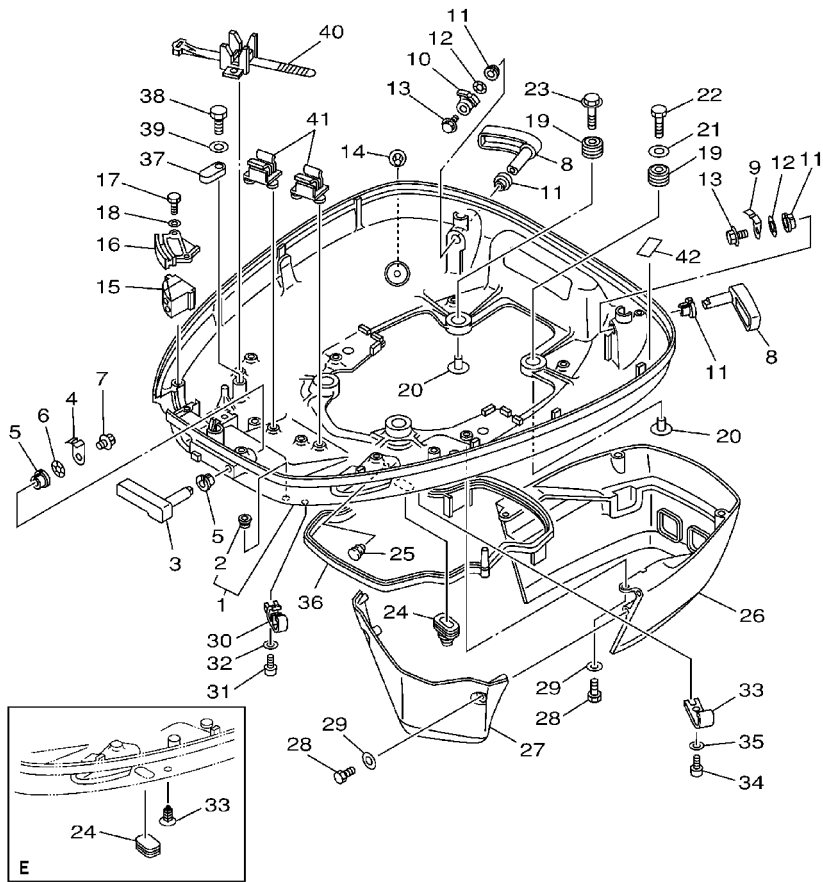


6E51200-2130

REF. NO.	PART NO. CODIGO NO.	DESCRIPTION DESCRIPTION	U	U			REMARKS OBSERVACION
1	6E5-W4271-05-4D	COWLING, BOTTOM CUBIERTA INFERIOR	1	1			
2	6H4-42748-00	.GROMMET .TAPON	1	1			
3	688-42815-01-4D	LEVER, CLAMP PALANCA ABRAZADERA	1	1			
4	688-42816-00	LEVER, CLAMP PALANCA ABRAZADERA	1	1			
5	90386-13M38	BUSH BUJE	2	2			
6	90206-13M10	WASHER, WAVE ARANDELA ONDULADA	1	1			
7	90119-06M09	BOLT, WITH WASHER TORNILLO CON ARANDELA	1	1			
8	6E5-42817-01-4D	LEVER, CLAMP PALANCA ABRAZADERA	2	2			
9	6G5-42816-00	LEVER, CLAMP PALANCA ABRAZADERA	1	1			
10	6E5-42816-01	LEVER, CLAMP PALANCA ABRAZADERA	1	1			
11	90386-13M38	BUSH BUJE	4	4			
12	90206-13M10	WASHER, WAVE ARANDELA ONDULADA	2	2			
13	90119-06M09	BOLT, WITH WASHER TORNILLO CON ARANDELA	2	2			
14	6E5-44391-00	NIPPLE, HOSE NIPLE MANGUERA	1	1			
15	6E5-42725-00	GROMMET TAPON	1	1			
16	6E5-42738-01-5B	PLATE, FITTING PLACA DE AJUSTE	1	1			
17	97095-06016	BOLT PERNO	2	2			
18	92995-06600	WASHER ARANDELA	2	2			
19	90480-22M15	GROMMET TAPON	4	4			
20	90387-08M37	COLLAR COLLAR	4	4			
21	90201-08M54	WASHER, PLATE ARANDELA PLANA	1	1			
22	97075-08035	BOLT PERNO	1	1			
23	90119-08M22	BOLT, WITH WASHER TORNILLO CON ARANDELA	3	3			
24	688-42726-10 6H4-42726-00	GROMMET TAPON GROMMET TAPON	1	1			
25	90480-10M36	GROMMET TAPON	1	1			
26	6E5-42741-01-4D	APRON MANDIL	1	1			

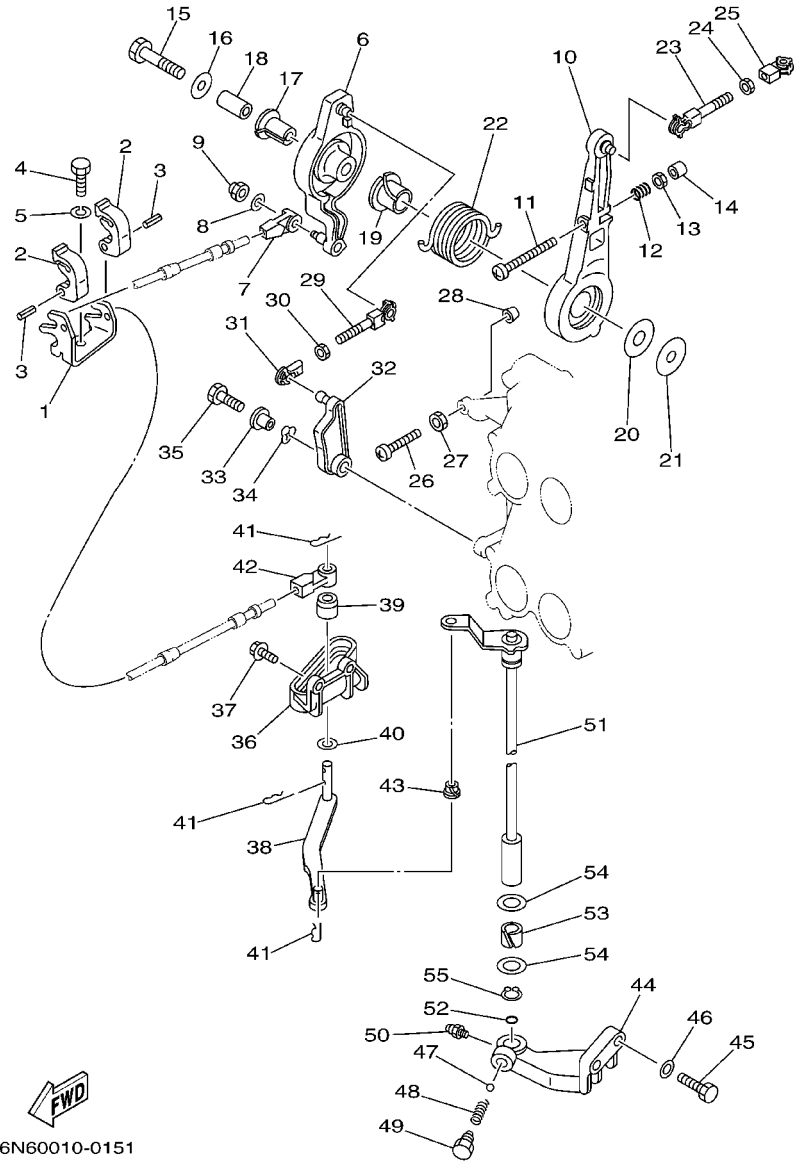
FIG. 12 BOTTOM COWLING

CUBIERTA INFERIOR



6E51200-2130

REF. NO.	PART NO. CODIGO NO.	DESCRIPTION DESCRIPTION	E	ET		REMARKS OBSERVACION
27	6E5-42771-01-4D	APRON MANDIL	1	1		
28	97095-06020	BOLT PERNO	6	6		
29	92995-06600	WASHER ARANDELA	6	6		
30	6E5-24367-01	CLAMP, FUEL PIPE 2 GRAMPA DE TUBO DE COMBUST.2	2	2		
31	90157-06M01	SCREW, PAN HEAD TORNILLO_CABEZA CONICA PLANA	2	2		
32	92990-06600	WASHER, PLATE ARANDELA PLANA	2	2		
33	6E5-24367-10	CLAMP, FUEL PIPE 2 GRAMPA DE TUBO DE COMBUST.2		1		
	90338-05M03	PLUG TAPON		1		
34	90157-06M01	SCREW, PAN HEAD TORNILLO CABEZA CONICA PLANA		1		
35	92990-06600	WASHER, PLATE ARANDELA PLANA		1		
36	6E5-42716-00	RUBBER, SEAL 1 SELLO DE GOMA 1	1	1		
37	6E5-82588-00	PLATE PLACA	1	1		
38	97095-06020	BOLT PERNO	1	1		
39	92995-06600	WASHER ARANDELA	1	1		
40	688-82594-00	CLAMP GRAMPA	1	1		
41	6E5-82594-00	CLAMP GRAMPA	2	2		
42	6G5-42791-00	MARK 1 MARCA 1	1	1		115B
	6G5-42791-10	MARK 1 MARCA 1		1		115B-FOR CHINA
	6L1-42791-00	MARK 1 MARCA 1		1		140B
	6K7-42791-00	MARK 1 MARCA 1		1		140B-FOR CHINA

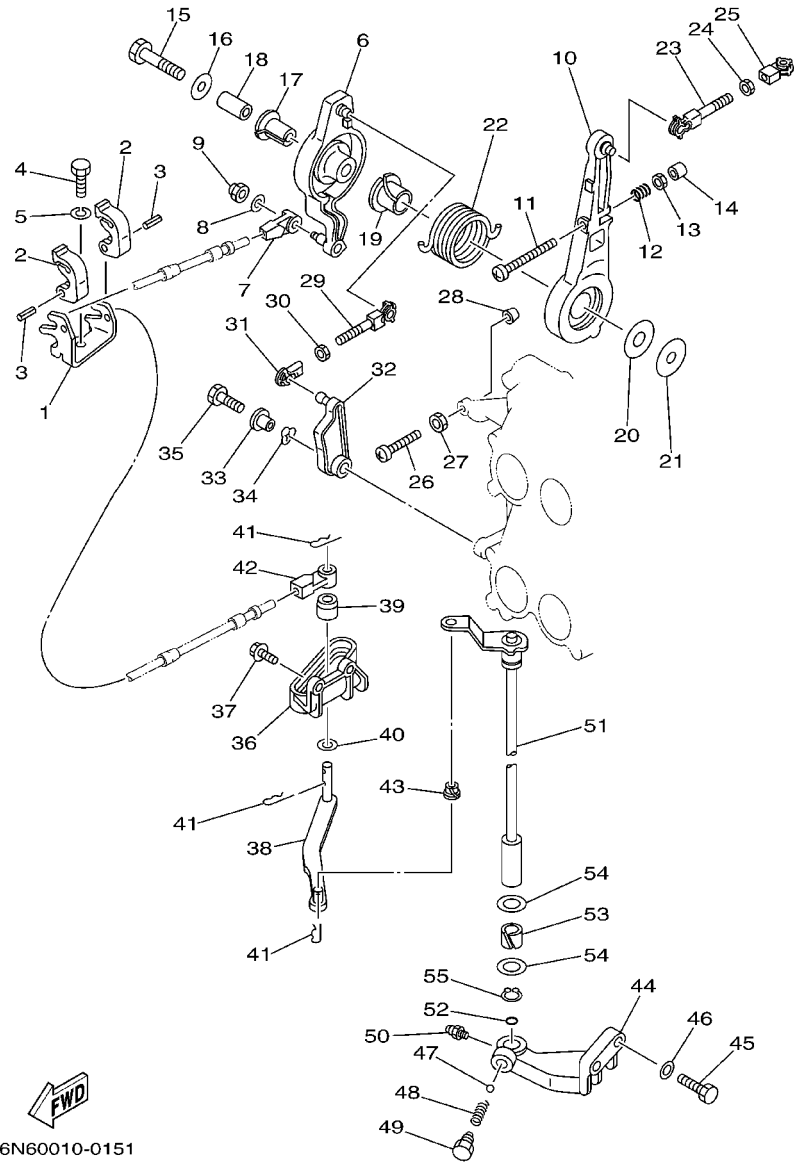


6N60010-0151

FIG. 13 CONTROL

CONTROL

REF. NO.	PART NO. CODIGO NO.	DESCRIPTION DESCRIPTION	U	U			REMARKS OBSERVACION
1	6E5-48531-00	BRACKET, REMOTE CONTROL 1 SOPORTE DE CONTROL REMOTO	1	1			
2	6E5-48538-00	CLAMP, CABLE GRAMPA DE CABLE	2	2			
3	91690-30012	PIN, SPRING PASADOR DE RESORTE	2	2			
4	97095-08020	BOLT PERNO	1	1			
5	92995-08100	WASHER ARANDELA	1	1			
6	6E5-41632-02-1S	LEVER, MAGNETO CONTROL PALANCA DE CONTROL DE MAGNETO	1	1			
7	6E5-48344-00	CABLE END, REMOTE CONTROL BASE CONTROL	1	1			
8	92990-06200	WASHER, PLAIN ARANDELA PLANA	1	1			
9	90185-06M07	NUT, SELF-LOCKING TUERCA AUTOBLOCANTE	1	1			
10	6E5-41631-01-1S	LEVER, MAGNETO CONTROL PALANCA DE CONTROL DE MAGNETO	1	1			
11	90157-06013	SCREW, PAN HEAD TORNILLO CABEZA CONICA PLANA	1	1			
12	90501-16M12	SPRING, COMPRESSION RESORTE DE COMPRESION	1	1			
13	95303-06600	NUT TUERCA	1	1			
14	688-44194-00	CAP TAPA	1	1			
15	97013-08045	BOLT PERNO	1	1			
16	90201-08M23	WASHER, PLATE ARANDELA PLANA	1	1			
17	90386-12089	BUSH BUJE	1	1			
18	90387-08M16	COLLAR COLLAR	1	1			
19	90386-22M13	BUSH BUJE	1	1			
20	90202-12092	WASHER, PLATE ARANDELA DE PLANA	1	1			
21	90201-08M13	WASHER, PLATE ARANDELA PLANA	1	1			
22	90508-29M12	SPRING, TORSION RESORTE DE TORSION	1	1			
23	6E5-41636-01	ROD, MAGNETO CONTROL VARILLA DE CONTROL MAGNETO	1	1			
24	95380-05600	NUT TUERCA	1	1			
25	662-41237-01	JOINT, LINK CONECTOR	1	1			
26	90157-06013	SCREW, PAN HEAD TORNILLO CABEZA CONICA PLANA	1	1			
27	95303-06600	NUT TUERCA	1	1			

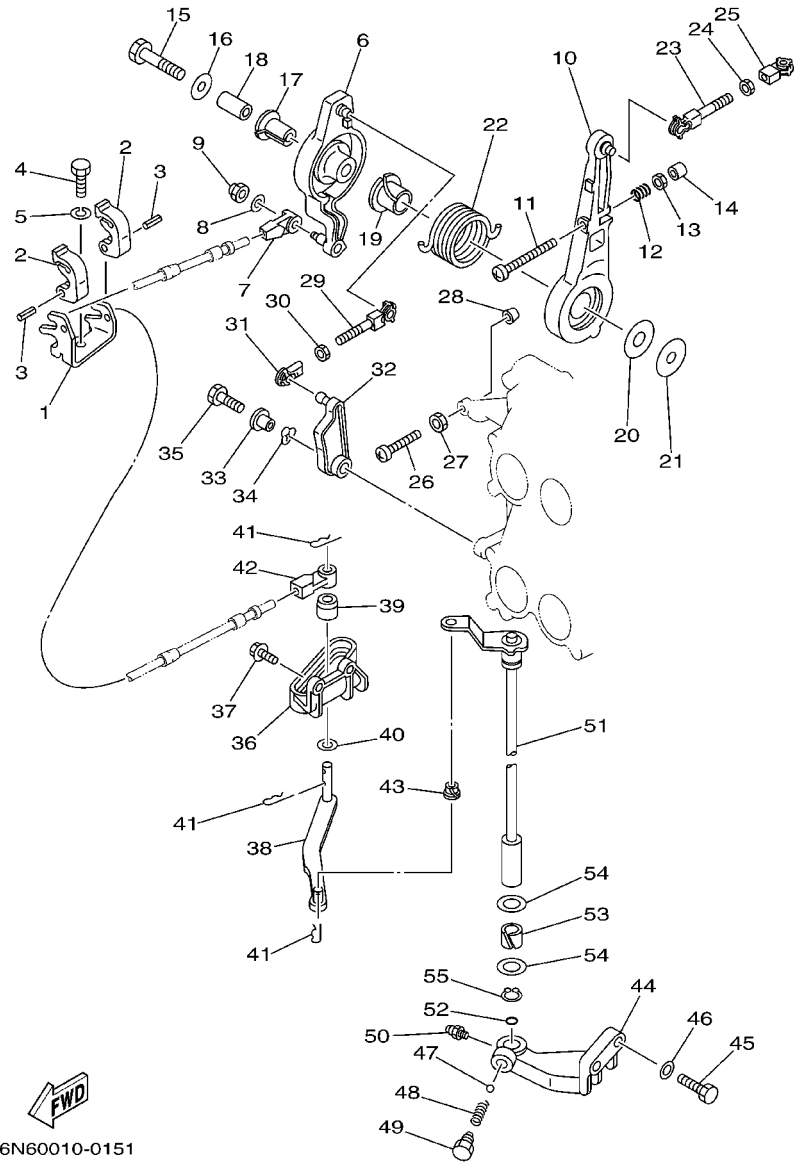


6N60010-0151

FIG. 13 CONTROL

CONTROL

REF. NO.	PART NO. CODIGO NO.	DESCRIPTION DESCRIPTION	U	U			REMARKS OBSERVACION
28	688-44194-00	CAP TAPA	1	1			
29	688-41636-00	ROD, MAGNETO CONTROL VARILLA DE CONTROL MAGNETO	1	1			
30	95380-05600	NUT TUERCA	1	1			
31	662-41237-01	JOINT, LINK CONECTOR	1	1			
32	6E5-41213-00	CAM, ACCEL. LEVA ACELERADOR	1	1			
33	90387-06M29	COLLAR COLLAR	1	1			
34	90206-10M04	WASHER, WAVE ARANDELA ONDULADA	1	1			
35	97095-06025	BOLT PERNO	1	1			
36	6E5-44117-00-1S	BRACKET SOPORTE	1	1			
37	90119-06MA2	BOLT, WITH WASHER TORNILLO CON ARANDELA	2	2			
38	68F-44121-00	LEVER, SHIFT ROD PALANCA VARILLA CAMBIOS	1	1			
39	6E5-44122-00	BUSHING, SHIFT ROD LEVER BUJE PALANCA VARILLA DE CAMBIO	1	1			
40	90202-08M20	WASHER, PLATE ARANDELA DE PLANA	1	1			
41	90468-18008	CLIP PRESILLA	3	3			
42	6E5-48344-00	CABLE END, REMOTE CONTROL BASE CONTROL	1	1			
43	90386-06M12	BUSH BUJE	1	1			
44	6E5-44118-01-94	BRACKET SOPORTE	1	1			
45	97013-08030	BOLT PERNO	2	2			
46	92903-08600	WASHER, PLATE ARANDELA PLANA	2	2			
47	93501-04M02	BALL ESFERA	1	1			
48	90501-12082	SPRING, COMPRESION RESORTE DE COMPRESION	1	1			
49	648-42715-00	BUSHING BUJE	1	1			
50	93700-06M03	NIPPLE, GREASE BOQUILLA DE ENGRASAR	1	1			
51	6E5-44120-03	HANDLE GEAR SHIFT ASSY MANIJA DE CAMBIO COMPL	1	1			L
	6E5-44120-23	HANDLE GEAR SHIFT ASSY MANIJA DE CAMBIO COMPL	1	1			X
52	93210-09165	O-RING JUNTA TORICA	1	1			
53	90386-16M66	BUSH BUJE	1	1			



6N60010-0151

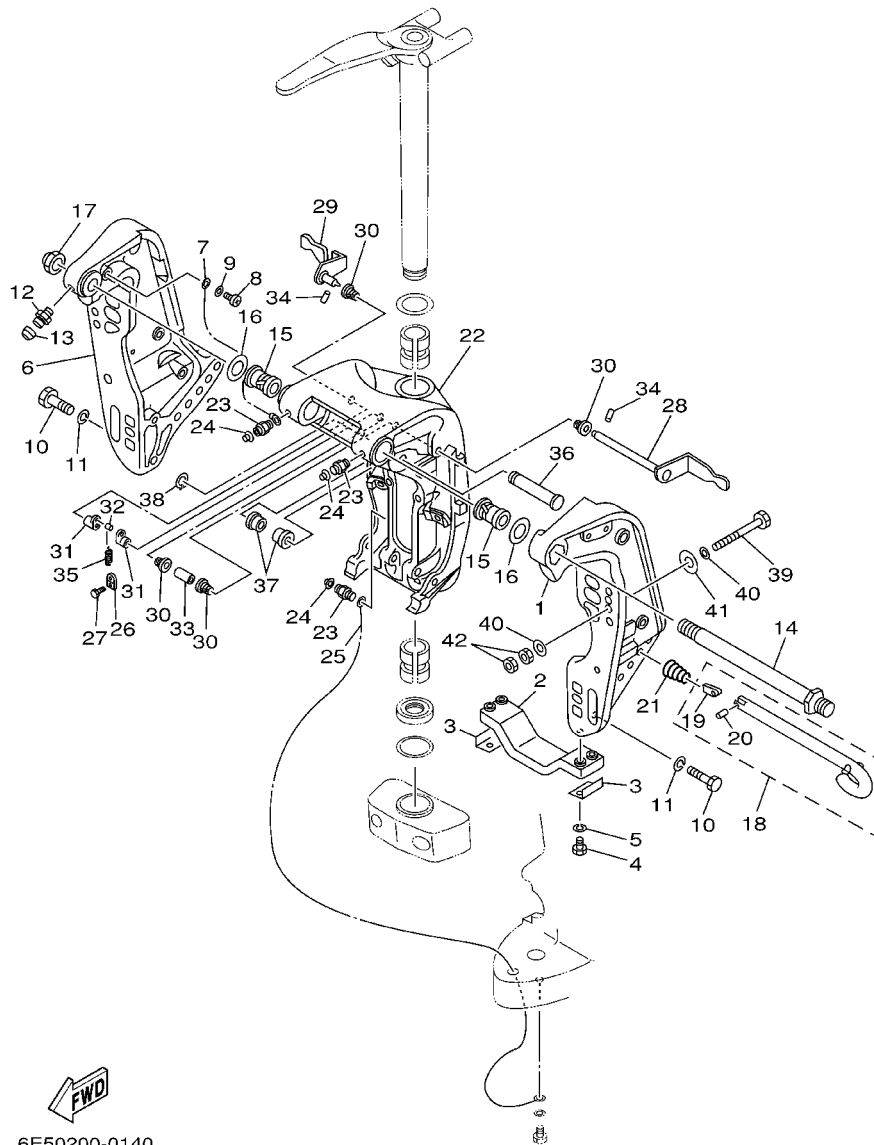
FIG. 13 CONTROL

CONTROL

REF. NO.	PART NO. CODIGO NO.	DESCRIPTION DESCRIPTION	E	Et			REMARKS OBSERVACION
54	90202-16061	WASHER, PLATE ARANDELA DE PLANA	2	2			
55	93410-16006	CIRCLIP SEGURO	1	1			

FIG. 14 BRACKET 1

SOPORTE 1

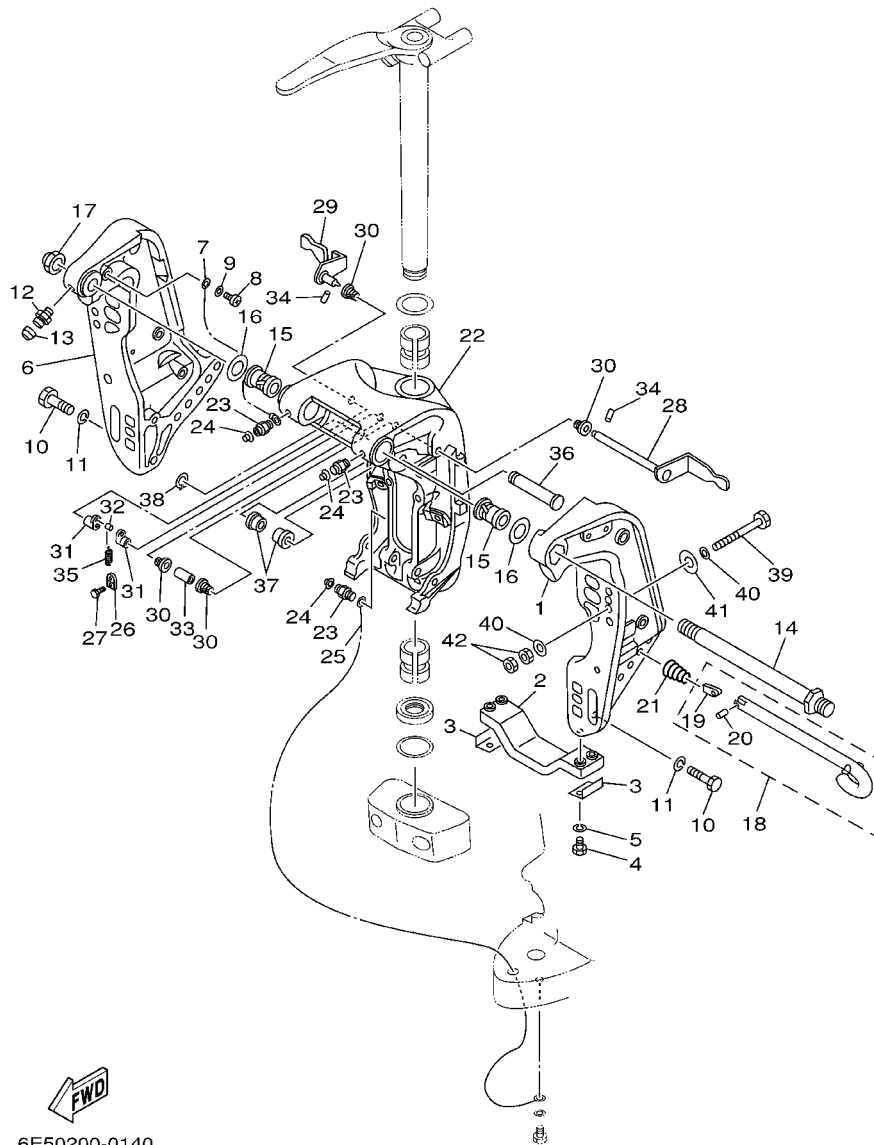


6E50200-0140

REF. NO.	PART NO. CODIGO NO.	DESCRIPTION DESCRIPTION	E	ET		REMARKS OBSERVACION
1	6E5-43111-04-8D	BRACKET, CLAMP SOPORTE DE LA ABRAZADERA	1			
2	6G5-45251-02	ANODE CATODE	1			
3	6G5-44526-00	PLATE PLACA 1	2			
4	97095-06030	BOLT PERNO	4			
5	92995-06100	WASHER, SPRING ARANDELA	4			
6	6E5-43112-04-8D	BRACKET, CLAMP SOPORTE DE LA ABRAZADERA	1			
7	6E5-82148-00	WIRE, LEAD 4 CABLE CONDUCTOR 4	1			
8	97880-06012	SCREW, PAN HEAD TORNILLO DE CABEZA CON PLANA	1			
9	92990-06600	WASHER, PLATE ARANDELA PLANA	1			
10	97095-10045	BOLT PERNO	6			
11	92995-10100	WASHER ARANDELA	6			
12	93700-06M03	NIPPLE, GREASE BOQUILLA DE ENGRASAR	1			
13	663-45119-00	CAP, GREASE NIPPLE TAPA DE GRASERA	1			AP
14	6R3-43131-00	BOLT, CLAMP BRACKET TORNILLO DE ABRAZADERA DEL SOP	1			
15	90386-25M31	BUSH BUJE	2			
16	90201-26M59	WASHER, PLATE ARANDELA PLANA	2			
17	90185-22M11	NUT, SELF-LOCKING TUERCA AUTOBLOCANTE	1			
18	6E5-43160-00	TILT ROD ASSY VARILLA DE BASCULACION COMPL.	1			
19	688-43165-00	.PLATE, TILT LOCK .PLACA DE TOPE, VARILLA SEGUR	1			
20	91690-30014	.PIN, SPRING .PASADOR DE RESORTE	1			
21	90502-20M03	SPRING, CONICAL RESORTE CONICO	1			
22	6E5-43311-A2-8D	BRACKET, SWIVEL 1 SOPORTE GIRATORIO 1	1			L
23	93700-06M03	NIPPLE, GREASE BOQUILLA DE ENGRASAR	3			
24	663-45119-00	CAP, GREASE NIPPLE TAPA DE GRASERA	3			AP
25	6E5-82147-00	WIRE, LEAD 4 CABLE CONDUCTOR 4	1			L
26	6G5-43144-00	HOOK, SPRING GANCHO	1			
27	97095-06010	BOLT PERNO	1			

FIG. 14 BRACKET 1

SOPORTE 1

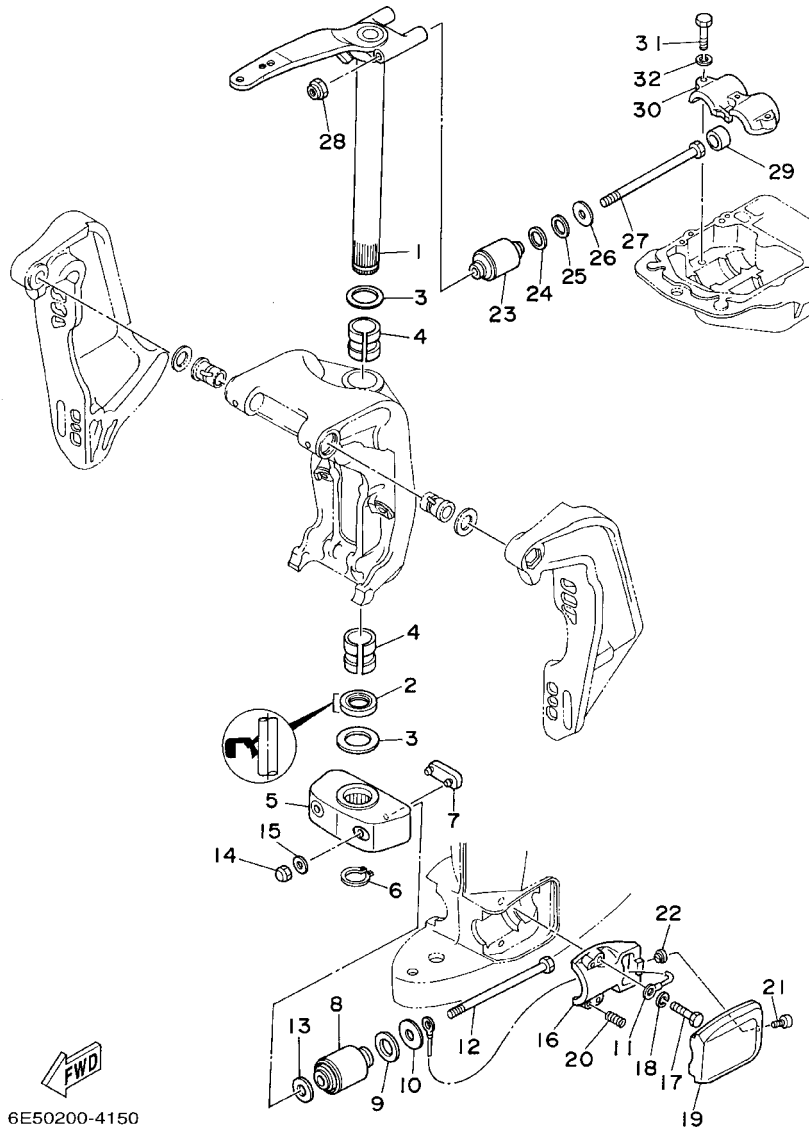


REF. NO.	PART NO. CODIGO NO.	DESCRIPTION DESCRIPTION	E	E		REMARKS OBSERVACION
28	61U-43181-00	LEVER, TILT STOP PALANCA TOPE INCLINACION	1			
29	61U-43185-00	LEVER, TILT STOP PALANCA TOPE INCLINACION	1			
30	90386-10M16	BUSH BUJE	4			
31	6G5-43148-00	COLLAR, DISTANCE COLLAR	2			
32	90249-06M19	PIN PASADOR	1			
33	90387-10M05	COLLAR COLLAR	1			
34	91690-30020	PIN, SPRING PASADOR DE RESORTE	2			
35	90506-14M24	SPRING, TENSION RESORTE DE TENSION	1			
36	6E5-43126-02	PIN, UPPER SHOCK MOUNT PASADOR DE AMORTIGUADOR SUPERIOR	1			
37	90386-18M44	BUSH BUJE	2			
38	93410-18M02	CIRCLIP SEGURO	1			
39	90101-12M03	BOLT (L:115MM) TORNILLO (L:115MM)	4			
40	90201-13M01	WASHER, PLATE ARANDELA PLANA	8			
41	90201-12M05	WASHER, PLATE ARANDELA PLANA	4			
42	95380-12600	NUT TUERCA	8			

FWD
6E50200-0140

FIG. 15 BRACKET 2

SOPORTE 2

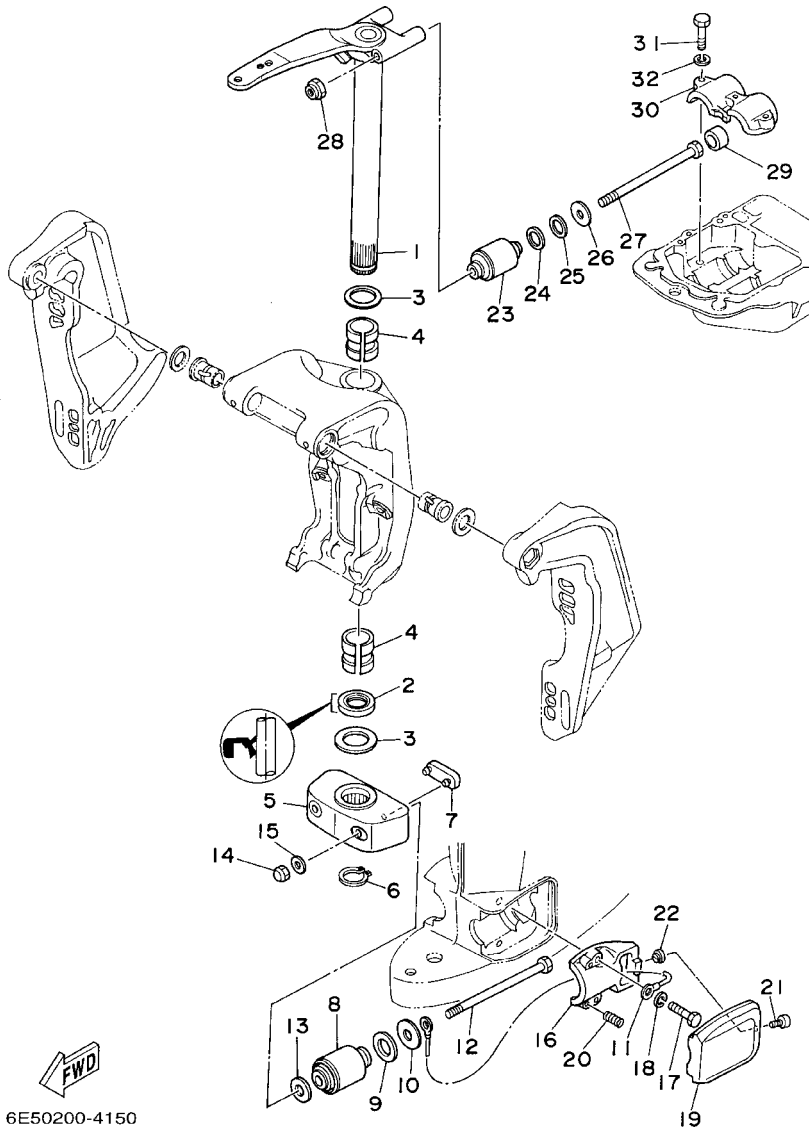


6E50200-4150

REF. NO.	PART NO. CODIGO NO.	DESCRIPTION DESCRIPTION	E	E1		REMARKS OBSERVACION
1	6E5-42510-05-8D	STEERING BRACKET ASSY SOPORTE DIRECCION COMPL.	1			L
2	93109-38M02	O-RING RETEN DE ACEITE	1			
3	90201-38M60	WASHER, PLATE ARANDELA PLANA	2			
4	90386-38M32	BUSH BUJE	2			
5	6G5-44551-01-8D	HOUSING, LOWER MOUNT RUBBER CAJA AMORTIGUADOR INFERIOR HU	1			
6	93410-37M04	CIRCLIP SEGURO	1			
7	6E5-44575-00	DAMPER, LOWER MOUNT RUBBER AMORTIGUADOR INFERIOR	1			
8	6E5-44555-00-94	MOUNT DAMPER, LOWER SIDE AMORTIGUADOR DE HULE LADO INFE	2			
9	90202-32M19	WASHER, PLATE ARANDELA DE PLANA	2			
10	90201-16M55	WASHER, PLATE ARANDELA PLANA	2			
11	6E5-82149-00	WIRE, LEAD 3 CABLE CONDUCTOR 3	1			
12	90109-14M34	BOLT PERNO	2			
13	90201-15M58	WASHER, PLATE ARANDELA PLANA	2			
14	95380-14800	NUT TUERCA	2			
15	92995-14600	WASHER ARANDELA	2			
16	6E5-44552-01-94	HOUSING, LOWER MOUNT RUBBER CAJA AMORTIGUADOR INFERIOR HU	2			
17	97095-10045	BOLT PERNO	4			
18	92995-10100	WASHER ARANDELA	4			
19	6E5-44553-01-8D	COVER, LOWER MOUNT CUBIERTA, AMORTIGUADOR INFERIOR	2			
20	90501-16M28	SPRING, COMPRESSION RESORTE DE COMPRESION	4			
21	97885-06016	SCREW, PAN HEAD TORNILLO A MUESCA	2			
22	90179-06066	NUT TUERCA	2			
23	6E5-44514-00-94	MOUNT DAMPER, UPPER SIDE AMORTIGUADOR LADO SUPERIOR	2			
24	90201-26M57	WASHER, PLATE ARANDELA PLANA	2			
25	90202-26M18	WASHER, PLATE ARANDELA DE PLANA	2			
26	90201-14M56	WASHER, PLATE ARANDELA PLANA	2			
27	90109-12M37	BOLT PERNO	2			

FIG. 15 BRACKET 2

SOPORTE 2

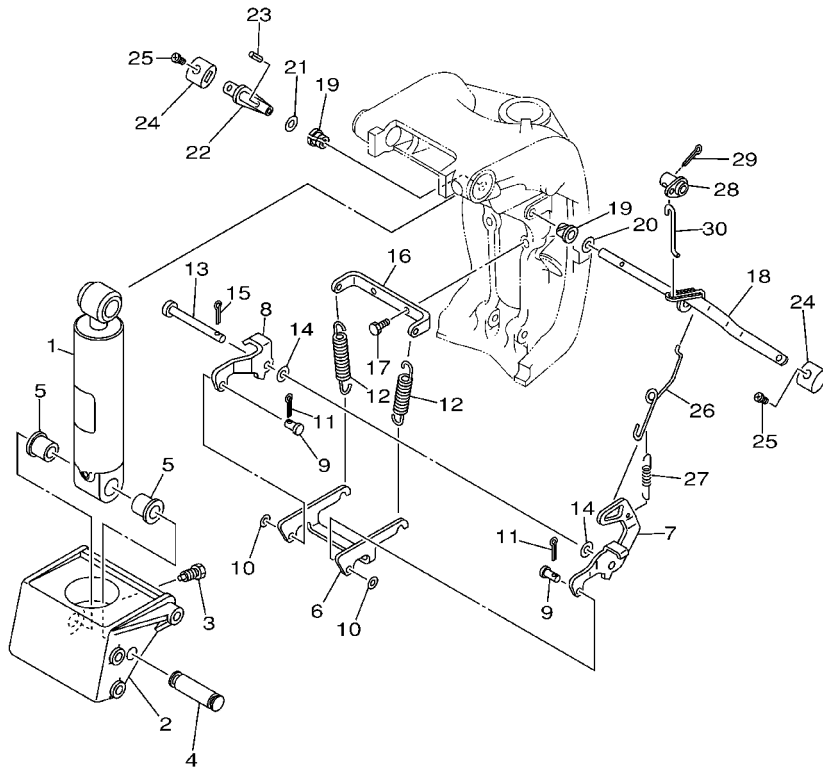


6E50200-4150

REF. NO.	PART NO. CODIGO NO.	DESCRIPTION DESCRIPTION	E	Et			REMARKS OBSERVACION
28	90185-12M12	NUT, SELF-LOCKING TUERCA AUTOBLOCANTE	2				
29	663-44575-00	DAMPER, LOWER MOUNT RUBBER AMORTIGUADOR INFERIOR	2				
30	6E5-44511-00-5B	COVER, UPPER MOUNT CUBIERTA AMORTIGUADOR SUPERIOR	1				
31	97095-10045	BOLT PERNO	3				
32	92995-10100	WASHER ARANDELA	3				

FIG. 16 BRACKET 3

SOPORTE 3

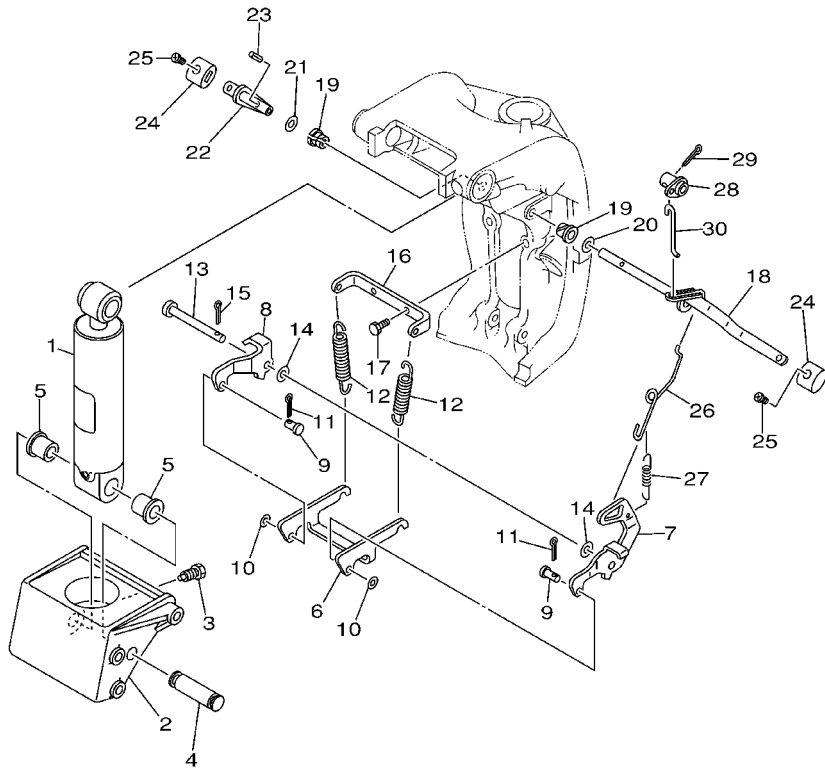


FWD
6E50200-0160

REF. NO.	PART NO. CODIGO NO.	DESCRIPTION DESCRIPTION	E	ET		REMARKS OBSERVACION
1	6E5-43170-00-4D	SHOCK ABSORBER ASSY AMORTIGUADOR COMPL.	1			
2	6E5-43128-00-8D	SPACER, CLAMP BRACKET ESPACIADOR ABRAZADERA SOPORTE	1			
3	90109-06M07	BOLT PERNO	1			
4	6E5-43124-00	PIN, LOWER SHOCK MOUNT PASADOR DE AMORTIGUADOR INFERI	1			
5	90386-18M44	BUSH BUJE	2			
6	6E5-43613-00	ARM, TILT LOCK BRAZO DE SEGURO DE INCLINACION	1			
7	6E5-43614-00	PLATE, TILT LOCK PLACA DE SEGURO DE INCLINACION	1			
8	6E5-43615-00	PLATE, TILT LOCK PLACA DE SEGURO DE INCLINACION	1			
9	90240-06M07	PIN, CLEVIS PASADOR CON HOYO	2			
10	92990-06600	WASHER, PLATE ARANDELA PLANA	2			
11	91490-25012	PIN, COTTER CHAVETA	2			
12	90506-23M10	SPRING, TENSION RESORTE DE TENSION	2			
13	6E5-43659-00	SHAFT, REVERSE LOCK EJE SEGURO DE REVERSA	1			
14	92995-08600	WASHER ARANDELA	2			
15	91490-25012	PIN, COTTER CHAVETA	1			
16	6E5-43679-00	STOPPER, HOOK TAPON	1			
17	97095-06016	BOLT PERNO	2			
18	6E5-43630-01	TILT LEVER ASSY PLANCA DE INCLINACION COMPL	1			
19	90386-08032	BUSH BUJE	2			
20	90202-08M08	WASHER, PLATE ARANDELA DE PLANA	1			
21	92995-08600	WASHER ARANDELA	1			
22	61U-43631-00	LEVER, TILT PALANCA DE INCLINACION	1			
23	90254-03003	PIN, SPRING PASADOR DE TIPO A RESORTE	1			
24	6E5-43317-00	GRIP MANGO	2			
25	90152-05M00	SCREW, COUNTERSUNK TORNILLO EMBUTIDO	2			
26	6E5-43616-00	ROD, TILT LOCK VARILLA SEGURO DE INCLINACION	1			
27	90506-09M09	SPRING, TENSION RESORTE DE TENSION	1			

FIG. 16 BRACKET 3

SOPORTE 3



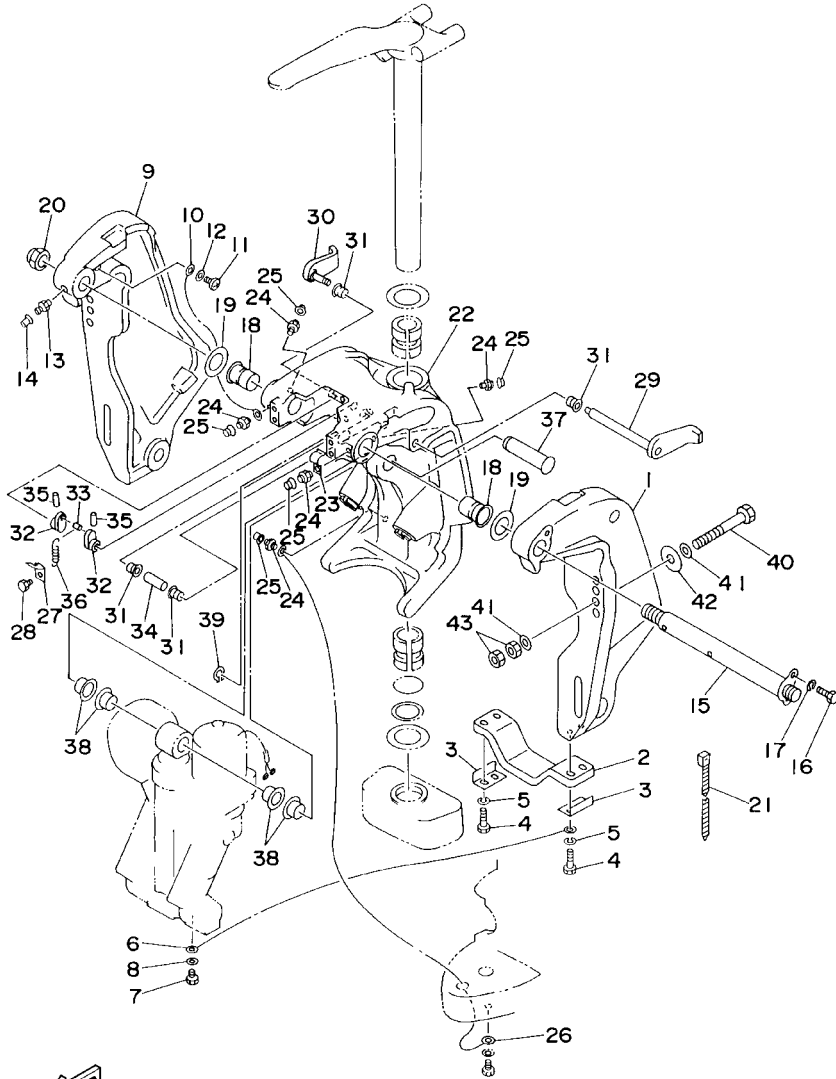
REF. NO.	PART NO. CODIGO NO.	DESCRIPTION DESCRIPTION	E	E			REMARKS OBSERVACION
28	688-43184-00	COLLAR, ANCHOR LEVER COLLAR	1				
29	91490-30025	PIN, COTTER CHAVETA	1				
30	6E5-43676-00	HOOK GANCHO	1				



6E50200-0160

FIG. 17 BRACKET 4

SOPORTE 4

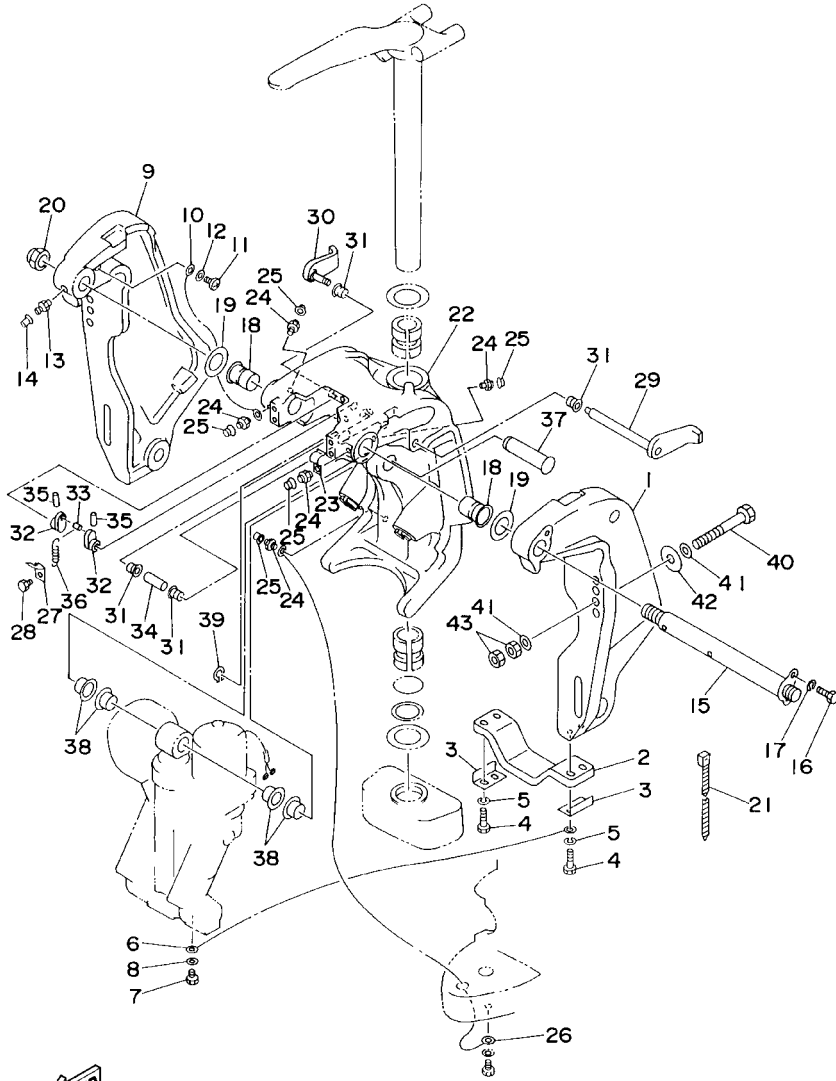


6N60010-7160

REF. NO.	PART NO. CODIGO NO.	DESCRIPTION DESCRIPTION	E	E		REMARKS OBSERVACION
1	64E-43111-02-8D	BRACKET, CLAMP SOPORTE DE LA ABRAZADERA		1		
2	6G5-45251-02	ANODE CATODE		1		
3	6G5-44526-00	PLATE PLACA 1		2		
4	97095-06030	BOLT PERNO		4		
5	92995-06100	WASHER, SPRING ARANDELA		4		
6	6E5-82148-00	WIRE, LEAD 4 CABLE CONDUCTOR 4		1		
7	97095-06010	BOLT PERNO		1		
8	92995-06600	WASHER ARANDELA		1		
9	64E-43112-02-8D	BRACKET, CLAMP SOPORTE DE LA ABRAZADERA		1		
10	6E5-82148-00	WIRE, LEAD 4 CABLE CONDUCTOR 4		1		
11	97880-06012	SCREW, PAN HEAD TORNILLO DE CABEZA CON PLANA		1		
12	92990-06600	WASHER, PLATE ARANDELA PLANA		1		
13	93700-06M03	NIPPLE, GREASE BOQUILLA DE ENGRASAR		1		
14	663-45119-00	CAP, GREASE NIPPLE TAPA DE GRASERA		1		AP
15	64E-43131-01	BOLT, CLAMP BRACKET TORNILLO DE ABRAZADERA DEL SOP		1		
16	97095-08020	BOLT PERNO		1		
17	92995-08100	WASHER ARANDELA		1		
18	90386-25M31	BUSH BUJE		2		
19	90201-26M59	WASHER, PLATE ARANDELA PLANA		2		
20	90185-22M11	NUT, SELF-LOCKING TUERCA AUTOBLOCANTE		1		
21	90465-11M10	CLAMP BRIDA		1		
22	64E-43311-10-8D	BRACKET, SWIVEL 1 SOPORTE GIRATORIO 1		1		L
	64E-43311-20-8D	BRACKET, SWIVEL 1 SOPORTE GIRATORIO 1		1		X
23	90465-08M63	CLAMP BRIDA		1		
24	93700-06M03	NIPPLE, GREASE BOQUILLA DE ENGRASAR		5		
25	663-45119-00	CAP, GREASE NIPPLE TAPA DE GRASERA		5		AP
26	6E5-82147-00	WIRE, LEAD 4 CABLE CONDUCTOR 4		1		L

FIG. 17 BRACKET 4

SOPORTE 4

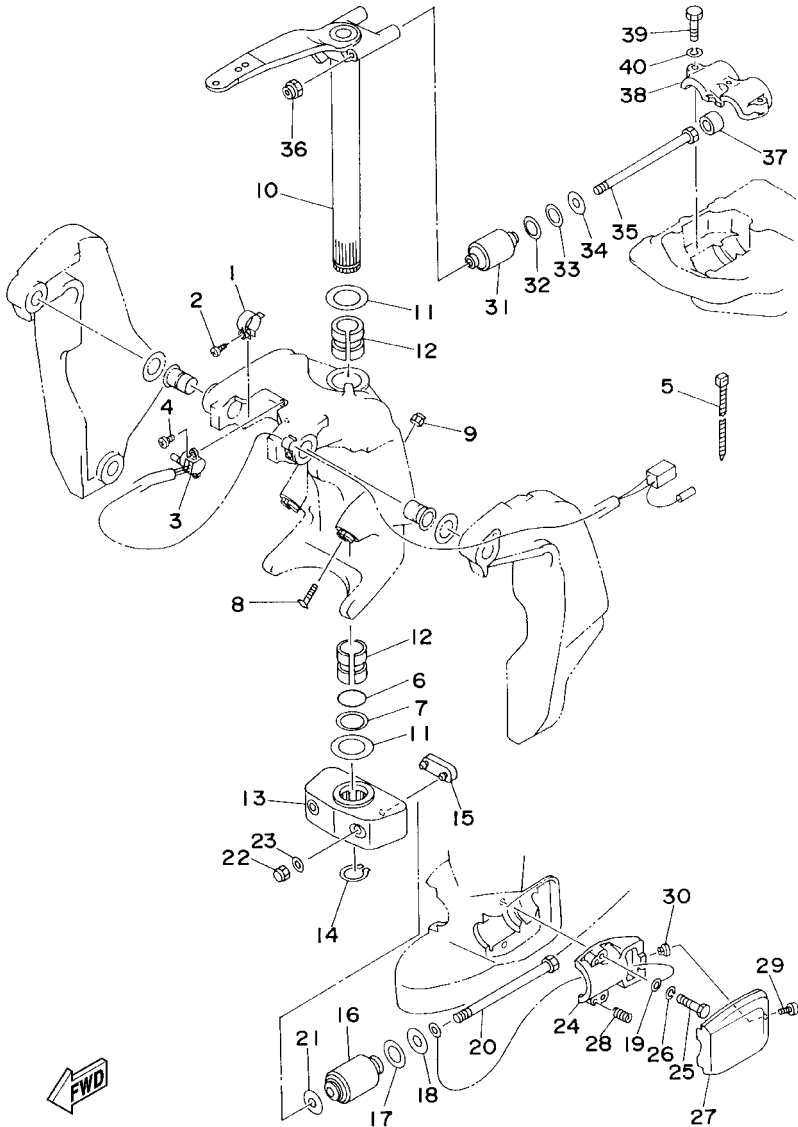


6N60010-7160

REF. NO.	PART NO. CODIGO NO.	DESCRIPTION DESCRIPTION	U	U	REMARKS OBSERVACION
26	6E5-82147-20	WIRE, LEAD 4 CABLE CONDUCTOR 4		1	X
27	6G5-43144-00	HOOK, SPRING GANCHO		1	
28	97095-06010	BOLT PERNO		1	
29	6G5-43181-02	LEVER, TILT STOP PALANCA TOPE INCLINACION		1	
30	6G5-43185-02	LEVER, TILT STOP PALANCA TOPE INCLINACION		1	
31	90386-10M16	BUSH BUJE		4	
32	6G5-43148-00	COLLAR, DISTANCE COLLAR		2	
33	90249-06M19	PIN PASADOR		1	
34	90387-10M05	COLLAR COLLAR		1	
35	91690-30020	PIN, SPRING PASADOR DE RESORTE		2	
36	90506-14M24	SPRING, TENSION RESORTE DE TENSION		1	
37	64E-43126-00	PIN, UPPER SHOCK MOUNT PASADOR DE AMORTIGUADOR SUPERI		1	
38	90386-22M98	BUSH BUJE		4	
39	93410-22M11	CIRCLIP SEGURO		1	
40	90101-12M03	BOLT (L:115MM) TORNILLO (L:115MM)		4	
41	90201-13M01	WASHER, PLATE ARANDELA PLANA		8	
42	90201-12M05	WASHER, PLATE ARANDELA PLANA		4	
43	95380-12600	NUT TUERCA		8	

FIG. 18 BRACKET 5

SOPORTE 5

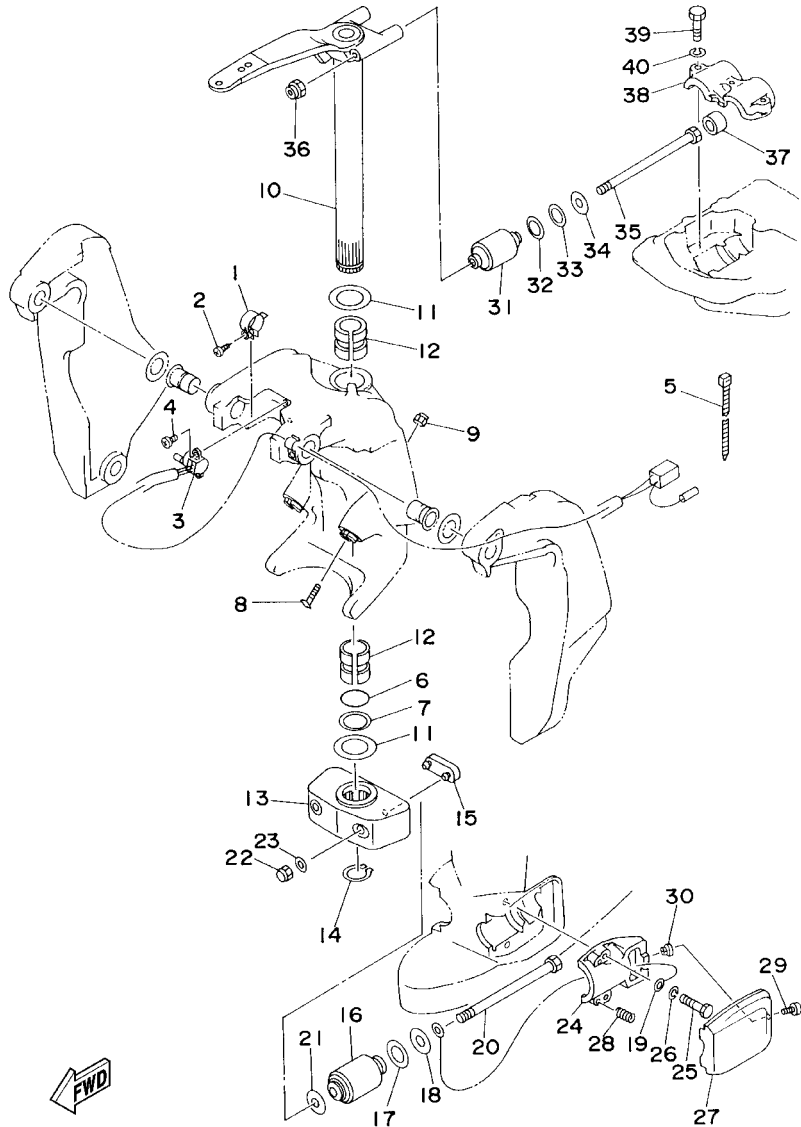


64D0010-7170

REF. NO.	PART NO. CODIGO NO.	DESCRIPTION DESCRIPTION	E	ET	REMARKS OBSERVACION
1	64E-43139-02	CAM, TRIM SENDER LEVA TRANSMISOR DE INCLINDOR		1	
2	97780-60525	SCREW, TAPPING TORNILLO DE CABEZA DE CONO ACH		1	
3	64E-83672-02	TRIM SENDER TRANSMISOR DE INCLINADOR		1	
4	97885-06016	SCREW, PAN HEAD TORNILLO A MUESCA		2	
5	90465-11M10	CLAMP BRIDA		3	
6	93210-37MH7	O-RING JUNTA TORICA		1	
7	90202-40M47	WASHER, PLATE ARANDELA DE PLANA		1	
8	61A-43376-00	BOLT, THRUST RECEIVER TORNILLO RECEPTOR		2	
9	95780-10300	NUT, FLANGE TUERCA		2	
10	6E5-42510-05-8D	STEERING BRACKET ASSY SOPORTE DIRECCION COMPL.		1	L
	6E5-42510-25-8D	STEERING BRACKET ASSY SOPORTE DIRECCION COMPL.		1	X
11	90201-38M60	WASHER, PLATE ARANDELA PLANA		2	
12	90386-38M32	BUSH BUJE		2	
13	6G5-44551-01-8D	HOUSING, LOWER MOUNT RUBBER CAJA AMORTIGUADOR INFERIOR HU		1	
14	93410-37M04	CIRCLIP SEGURO		1	
15	6E5-44575-00	DAMPER, LOWER MOUNT RUBBER AMORTIGUADOR INFERIOR		1	
16	6E5-44555-00-94	MOUNT DAMPER, LOWER SIDE AMORTIGUADOR DE HULE LADO INFE		2	
17	90202-32M19	WASHER, PLATE ARANDELA DE PLANA		2	
18	90201-16M55	WASHER, PLATE ARANDELA PLANA		2	
19	6E5-82149-00	WIRE, LEAD 3 CABLE CONDUCTOR 3		1	
20	90109-14M34	BOLT PERNO		2	
21	90201-15M58	WASHER, PLATE ARANDELA PLANA		2	
22	95380-14800	NUT TUERCA		2	
23	92995-14600	WASHER ARANDELA		2	
24	6E5-44552-01-94	HOUSING, LOWER MOUNT RUBBER CAJA AMORTIGUADOR INFERIOR HU		2	
25	97095-10045	BOLT PERNO		4	
26	92995-10100	WASHER ARANDELA		4	

FIG. 18 BRACKET 5

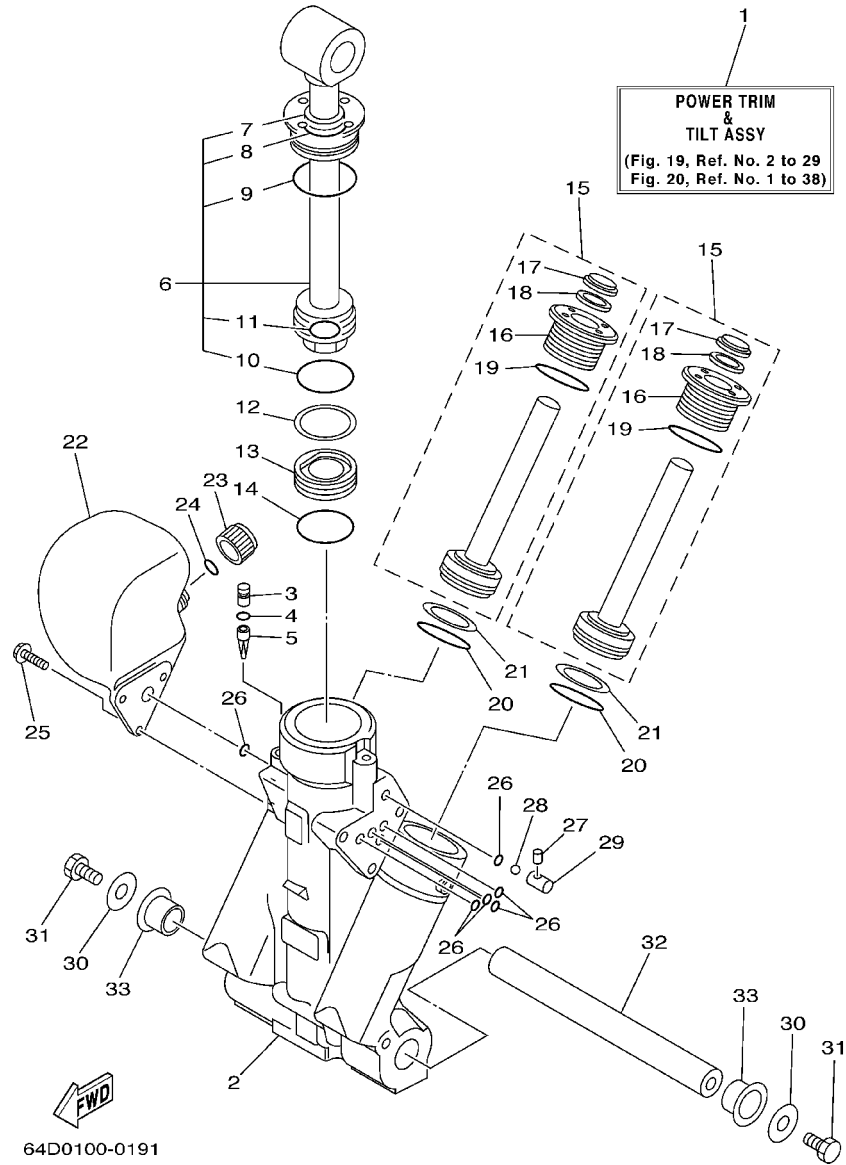
SOPORTE 5



64D0010-7170

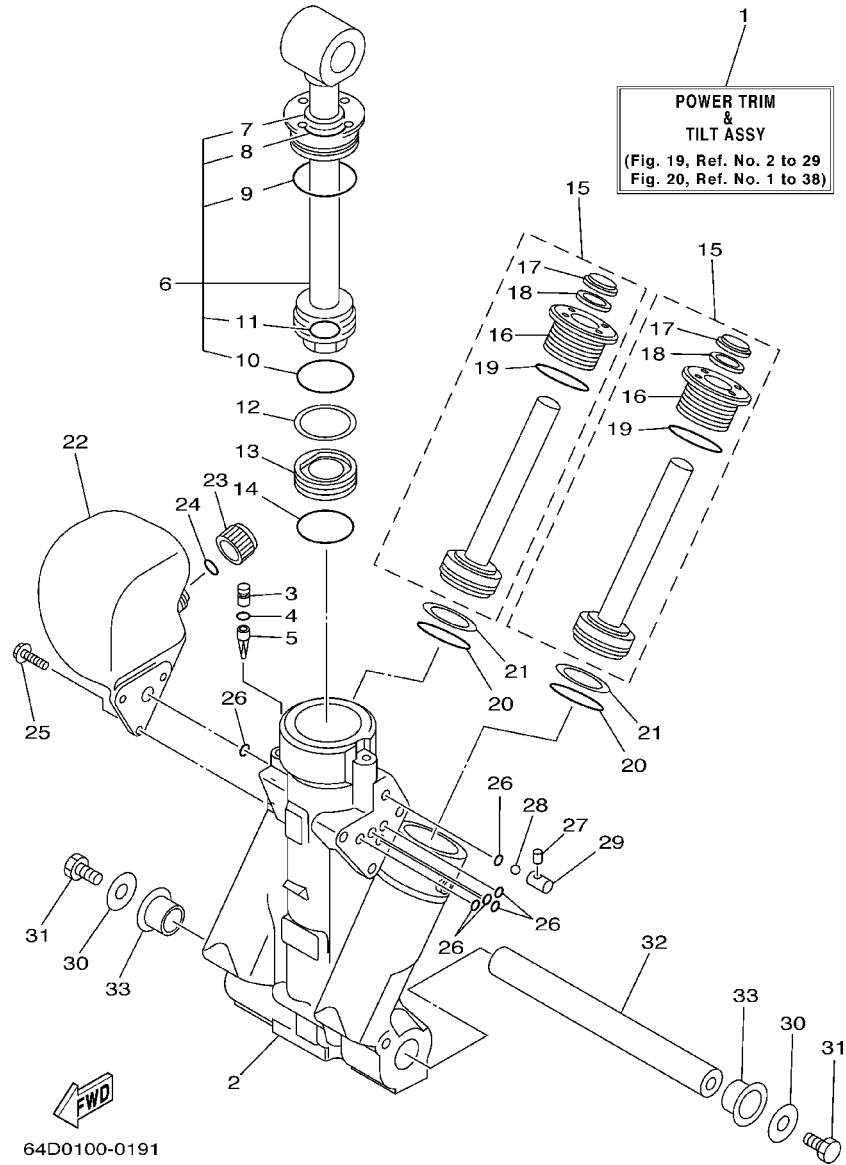
REF. NO.	PART NO. CODIGO NO.	DESCRIPTION DESCRIPTION	E	Et	REMARKS OBSERVACION
27	6E5-44553-01-8D	COVER, LOWER MOUNT CUBIERTA, AMORTIGUADOR INFERIOR		2	
28	90501-16M28	SPRING, COMPRESSION RESORTE DE COMPRESION		4	
29	97885-06016	SCREW, PAN HEAD TORNILLO A MUESCA		2	
30	90179-06066	NUT TUERCA		2	
31	6E5-44514-00-94	MOUNT DAMPER, UPPER SIDE AMORTIGUADOR LADO SUPERIOR		2	
32	90201-26M57	WASHER, PLATE ARANDELA PLANA		2	
33	90202-26M18	WASHER, PLATE ARANDELA DE PLANA		2	
34	90201-14M56	WASHER, PLATE ARANDELA PLANA		2	
35	90109-12M37	BOLT PERNO		2	
36	90185-12M12	NUT, SELF-LOCKING TUERCA AUTOBLOCANTE		2	
37	663-44575-00	DAMPER, LOWER MOUNT RUBBER AMORTIGUADOR INFERIOR		2	
38	6E5-44511-00-5B	COVER, UPPER MOUNT CUBIERTA AMORTIGUADOR SUPERIOR		1	
39	97095-10045	BOLT PERNO		3	
40	92995-10100	WASHER ARANDELA		3	

FIG. 19 POWER TRIM & TILT ASSY 1 COMPONER Y PODER VARILLA 1



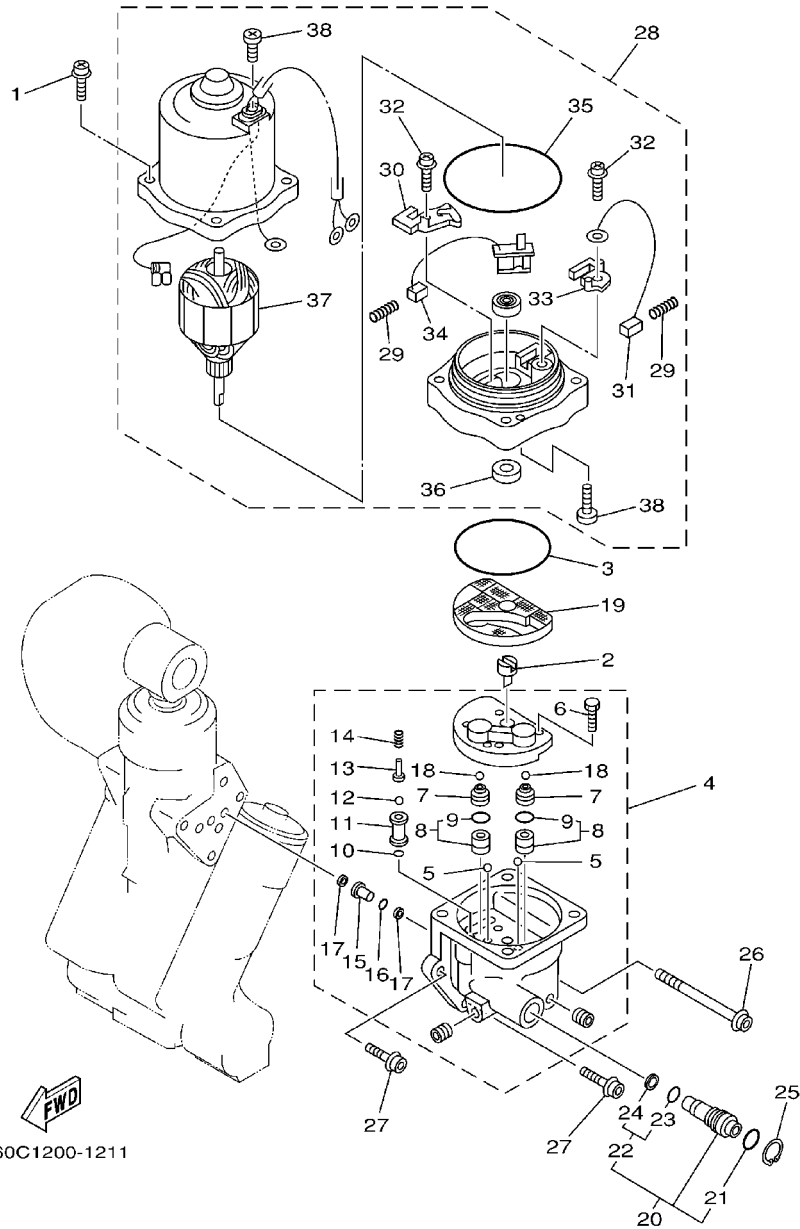
REF. NO.	PART NO. CODIGO NO.	DESCRIPTION DESCRIPTION	U	U			REMARKS OBSERVACION
1	64E-43800-02-4D	POWER TRIM & TILT ASSY ELEVADOR HIDRAULICO COMPL		1			
2	64E-43825-01	HOUSING, TRIM & TILT CAJA INCLINACION Y ADRNO		1			
3	64E-4388J-00	PLUG 2 TAPON 2		1			
4	93210-10M74	O-RING JUNTA TORICA		1			
5	64E-43817-00	FILTER 2 FILTRO 2		1			
6	64E-43810-00	TILT PISTON SUB ASSY ELEVADOR SUB-PISTON COMPL		1			
7	64E-43898-00	.SEAL ,DUST 2 .SELLO ANTIPOLVO		1			
8	64E-43867-00	.O-RING .ANILLO EN O 7		1			
9	64E-43866-00	.O-RING .ANILLO EN O 6		1			
10	6E5-43862-00	.O-RING .ANILLO EN O 2		1			
11	64E-43883-00	.O-RING .ANILLO EN O 10		1			
12	6E5-43872-00	RING, BACK UP ANILLO		1			
13	6E5-43814-02	PISTON, FREE PISTON LIBRE		1			
14	6E5-43862-00	O-RING ANILLO EN O 2		1			
15	64E-43820-00	TRIM PISTON SUB ASSY ELEVADOR PISTON COMPL		2			
16	64E-43821-00	.SCREW, TRIM CYLINDER END .TORNILLO CILINDURO EXTREMO		1			
17	64E-43822-00	.SEAL, TRIM DUST .SELLO DE POLVO		1			
18	64E-4384J-00	.SEAL, TRIM DOWN .SELLO		1			
19	6G5-43864-00	.O-RING ANILLO EN O 4		1			
20	6E5-43864-00	O-RING ANILLO EN O 4		2			
21	6E5-43874-01	RING, BACK UP ANILLO		2			
22	64E-43828-00	BODY, RESERVOIR CUERPO DEPOSITO		1			
23	64E-43829-00	PLUG, RESERVOIR TAPON DEPOSITO		1			
24	64E-43897-00	O-RING ANILLO EN O		1			
25	64E-4388E-00	BOLT ,SCREW (L:14MM) PERNO (L:14MM)		3			
26	64E-43869-00	O-RING ANILLO EN O 9		6			
27	64E-4381G-00	PIN PASADOR 1		1			

FIG. 19 POWER TRIM & TILT ASSY 1 COMPONENT Y PODER VARILLA 1



REF. NO.	PART NO. CODIGO NO.	DESCRIPTION DESCRIPTION	U	U			REMARKS OBSERVACION
28	6E5-43858-00	BALL ESFERA		1			
29	64E-4382G-00	VALVE, SEAT JUEGO ASIENTO VALVULA		1			
30	90201-08M14	WASHER, PLATE ARANDELA PLANA		2			
31	97080-08016	BOLT PERNO		2			
32	64E-43818-01	PIN, LOWER SHOCK MOUNT PASADOR AMORTIGUADOR INFERIOR		1			
33	90386-22M98	BUSH BUJE		2			

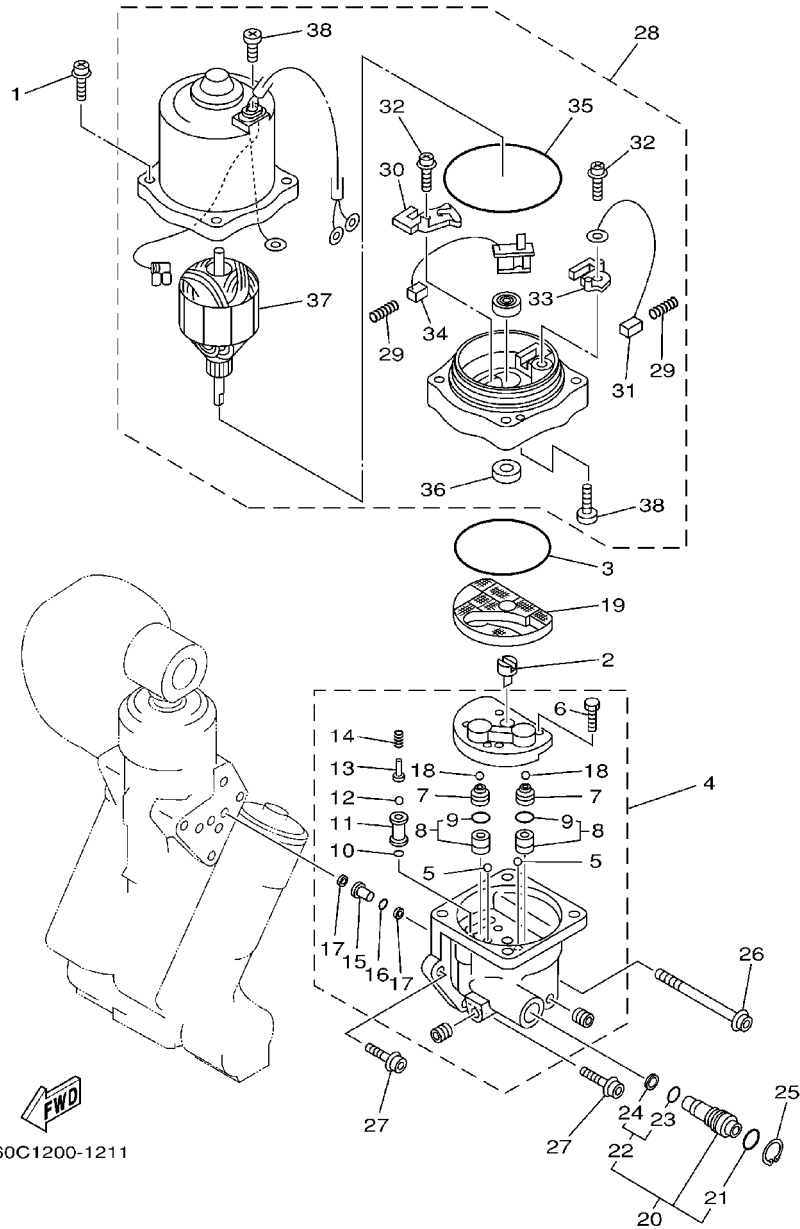
FIG. 20 POWER TRIM & TILT ASSY 2 COMPONER Y PODER VARILLA 2



60C1200-1211

REF. NO.	PART NO. CODIGO NO.	DESCRIPTION DESCRIPTION	U	UT	REMARKS OBSERVACION
1	64E-4388E-10	BOLT ,SCREW (L:34.7MM) PERNO (L:34.7MM)		4	
2	64E-43831-00	CONNECTOR, SHAFT CONEXION EJE		1	
3	64E-43868-00	O-RING ANILLO EN O 8		1	
4	64E-43830-00	GEAR PUMP ASSY ENGRANAJE BOMBA COMPL.		1	
5	72X-43858-00	.BALL .ESFERA		2	
6	64E-43843-00	.SCREW, VALVE LOCK .TORNILLO		4	
7	64E-43841-00	.PISTON, SHUTTLE .PISTON		2	
8	64E-43802-00	.VALVE SUB ASSY .VALVULA PRINCIPAL COMPL.		2	
9	6E5-43896-00	..O-RING ..ANILLO EN O		1	
10	6G5-43863-00	.O-RING ANILLO EN O 3		1	
11	64E-43851-00	.SEAT, RELIEF VALVE .ASIENTO VALVULA DE DESCARGA		1	
12	64E-43858-00	BALL .ESFERA		1	
13	64E-43859-00	.PIN, VALVE SUPPORT .PASADOR VALVULA SOPORTE		1	
14	64E-43855-00	.SPRING, UP RELIEF .RESORTE SEGURIDAD SUPERIOR		1	
15	64E-43850-00	.VALVE SUB ASSY .VALVULA COMPL.		1	
16	64E-43865-00	.O-RING ANILLO EN O 5		1	
17	64E-43816-00	.FILTER 1 FIELTRO 1		2	
18	64E-43858-00	.BALL .ESFERA		2	
19	64E-43817-10	FILTER 2 FIELTRO 2		1	
20	64E-43860-00	MANUAL VALVE SUB-ASSY VALVULA SUB-COMPL.		1	
21	72X-85075-L0	.O-RING ANILLO EN O 5		1	
22	64E-43827-00	.RING SET .ESFERA		1	
23	64E-4387A-00	..O-RING ..ANILLO O		1	
24	64E-43873-00	..RING, BACK UP ..ANILLO		1	
25	64E-43875-00	RING, SNAP ANILLO		1	
26	64E-43879-10	SCREW, WITH WASHER TORNILLO CON RONDANA		1	
27	64E-43879-00	SCREW, WITH WASHER TORNILLO CON RONDANA		2	

FIG. 20 POWER TRIM & TILT ASSY 2 COMPONER Y PODER VARILLA 2

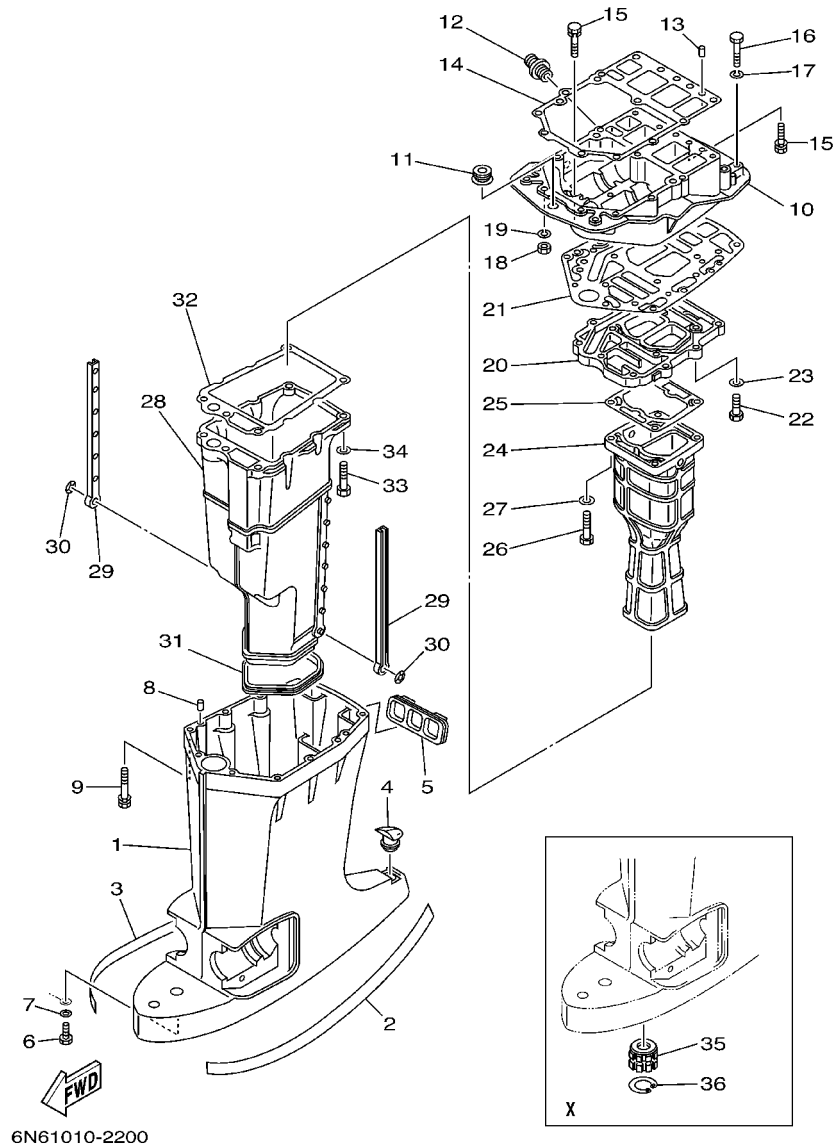


60C1200-1211

REF. NO.	PART NO. CODIGO NO.	DESCRIPTION DESCRIPTION	E	EI			REMARKS OBSERVACION
28	64E-43880-01	MOTOR ASSY MOTOR COMPL.		1			
29	6H1-4386K-10	.SPRING, BRUSH .RESORTE, ESCOBILLA		2			
30	64E-4380J-00	.HOLDER, BRUSH .PORTAESCOBILLA		1			
31	64E-43891-00	.BRUSH 1 ESCOBILLA 1		1			
32	97607-04310	.SCREW, WITH WASHER .TORNILLO CAB CON PLANA C/ARAN		2			
33	64E-4380F-00	.HOLDER, BRUSH 2 .PORTAESCOBILLA 2		1			
34	64E-43892-00	.BRUSH 2 ESCOBILLA 2		1			
35	6G5-43865-00	.O-RING .ANILLO EN O 5		1			
36	93102-08M43	.OIL SEAL .RETEN DE ACEITE		1			
37	64E-43805-00	.ARMATURE ASSY .INDUCIDO COMPL.		1			
38	64E-43843-10	.SCREW, VALVE LOCK .TORNILLO		3			

FIG. 21 UPPER CASING

FUNDA SUPERIOR

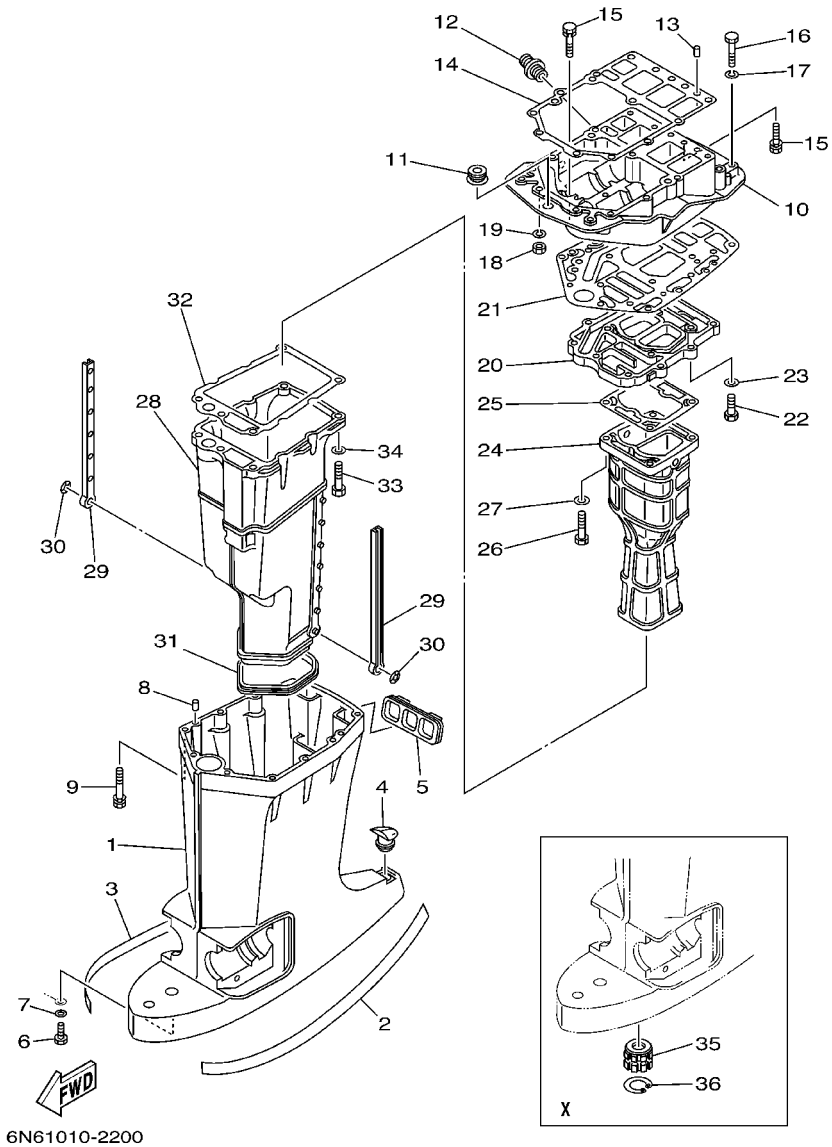


6N61010-2200

REF. NO.	PART NO. CODIGO NO.	DESCRIPTION DESCRIPTION	U	U		REMARKS OBSERVACION
1	6E5-45111-02-8D	CASING, UPPER CAJA SUPERIOR	1	1		L
	6E5-45111-23-8D	CASING, UPPER CAJA SUPERIOR		1		X
2	6R3-42791-41	MARK 1 MARCA 1	1	1		
3	6R3-42792-41	MARK MARCA	1	1		
4	6E5-45155-00	CAP TAPA	1	1		
5	6E5-42769-00	SEAL, RUBBER SELLO DE GOMA	1	1		
6	97095-06010	BOLT PERNO	1	1		
7	92995-06600	WASHER ARANDELA	1	1		
8	93608-12M05	PIN, DOWEL PASADOR DE CLAVIJA	2	2		
9	90119-08027	BOLT, WITH WASHER TORNILLO CON ARANDELA	6	6		
10	6G5-41137-02-94	GUIDE, EXHAUST GUIA DE ESCAPE	1	1		
11	6E5-42724-00	GROMMET TAPON	1	1		
12	6G5-12581-00	JOINT, HOSE 1 CONEXION	1	1		
13	93608-12M05	PIN, DOWEL PASADOR DE CLAVIJA	2	2		
14	6G5-45113-A1	GASKET, UPPER CASING EMPAQUE	1	1		
15	90119-08M79	BOLT, WITH WASHER TORNILLO CON ARANDELA	6	6		
16	97095-08045	BOLT PERNO	2	2		
17	92995-08100	WASHER ARANDELA	2	2		
18	95380-08700	NUT TUERCA	2	2		
19	92995-08100	WASHER ARANDELA	2	2		
20	6G5-41131-01-5B	MANIFOLD, EXT. 1 TUBO MULTIPLE DE ESCAPE	1	1		
21	6G5-45114-A1	GASKET, UPPER CASING EMPAQUE	1	1		
22	97095-08030	BOLT PERNO	4	4		
23	92995-08600	WASHER ARANDELA	4	4		
24	6E5-41132-10-5B	MANIFOLD, EXHAUST TUBO MULTIPLE DE ESCAPE	1	1		115B
	6L1-41132-00-5B	MANIFOLD, EXHAUST TUBO MULTIPLE DE ESCAPE		1		140B
25	6E5-41134-A0	GASKET, EXHAUST MANIFOLD EMPAQUE	1	1		115B

FIG. 21 UPPER CASING

FUNDA SUPERIOR

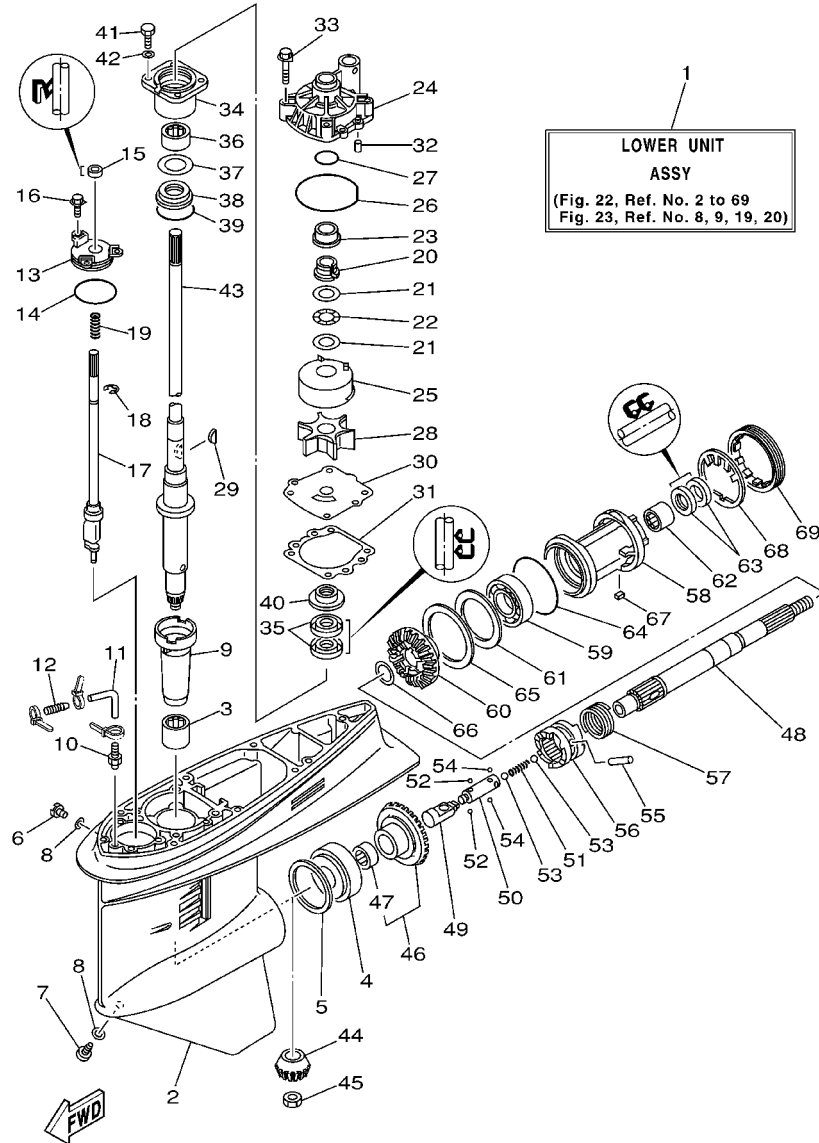


6N61010-2200

REF. NO.	PART NO. CODIGO NO.	DESCRIPTION DESCRIPTION	U	U		REMARKS OBSERVACION
25	6G5-41134-A1	GASKET, EXHAUST MANIFOLD EMPAQUE		1		140B
26	97095-08045	BOLT PERNO	4	4		
27	92995-08600	WASHER ARANDELA	4	4		
28	6E5-14711-01-5B	MUFFLER 1 SILENCIADOR 1	1	1		
29	6E5-14737-00	DAMPER, MUFFLER AMORTIGUADOR DE SILENCIADOR	2	2		
30	90183-05M02	NUT, SPRING TUERCA DE RESORTE	2	2		
31	6E5-45123-00	GASKET, MUFFLER EMPAQUE SILENCIADOR	1	1		
32	6E5-41135-A0	GASKET, EXHAUST MANIFOLD EMPAQUE	1	1		
33	97095-08045	BOLT PERNO	5	5		
34	92995-08600	WASHER ARANDELA	5	5		
35	6E5-45318-00	BUSHING, DRIVE SHAFT BUJE, EJE DE MANDO		1		X
36	93420-36M01	CIRCLIP BOLA		1		X

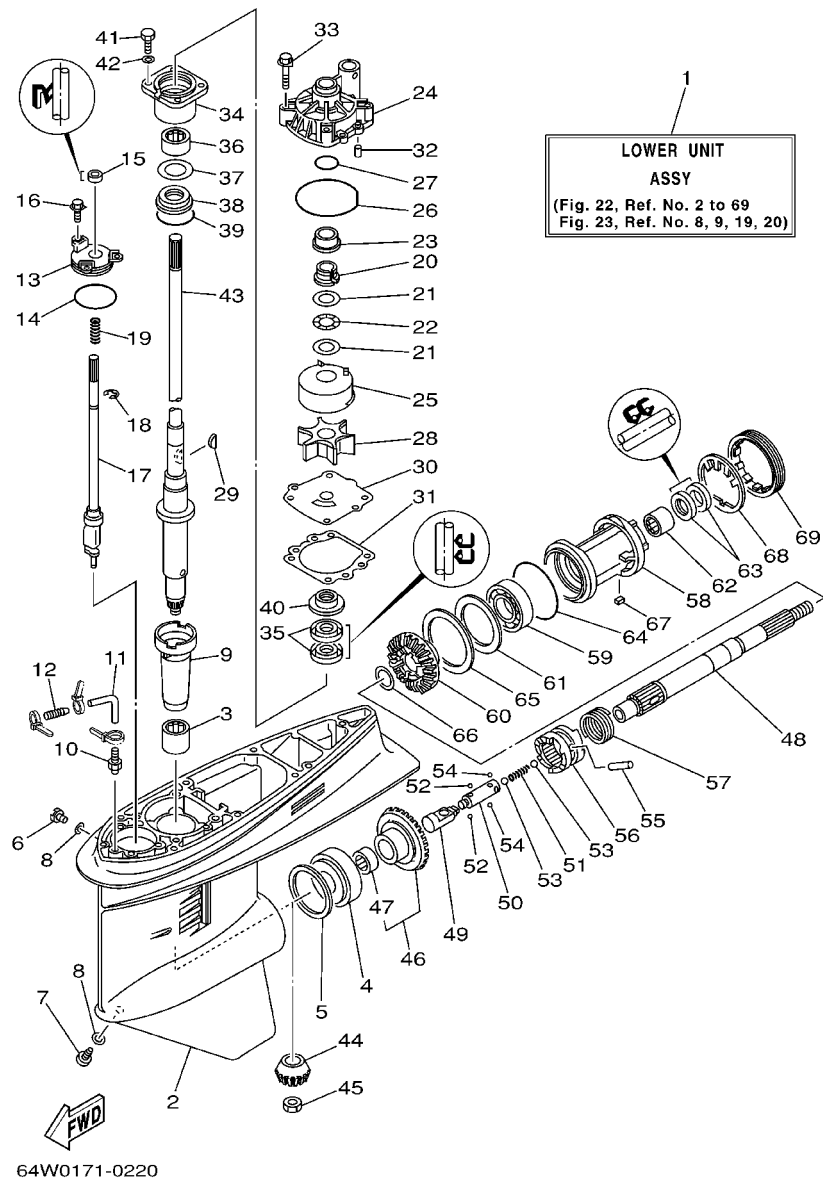
FIG. 22 LOWER CASING. DRIVE 1

IMPULSOR E INFERIOR 1



64W0171-0220

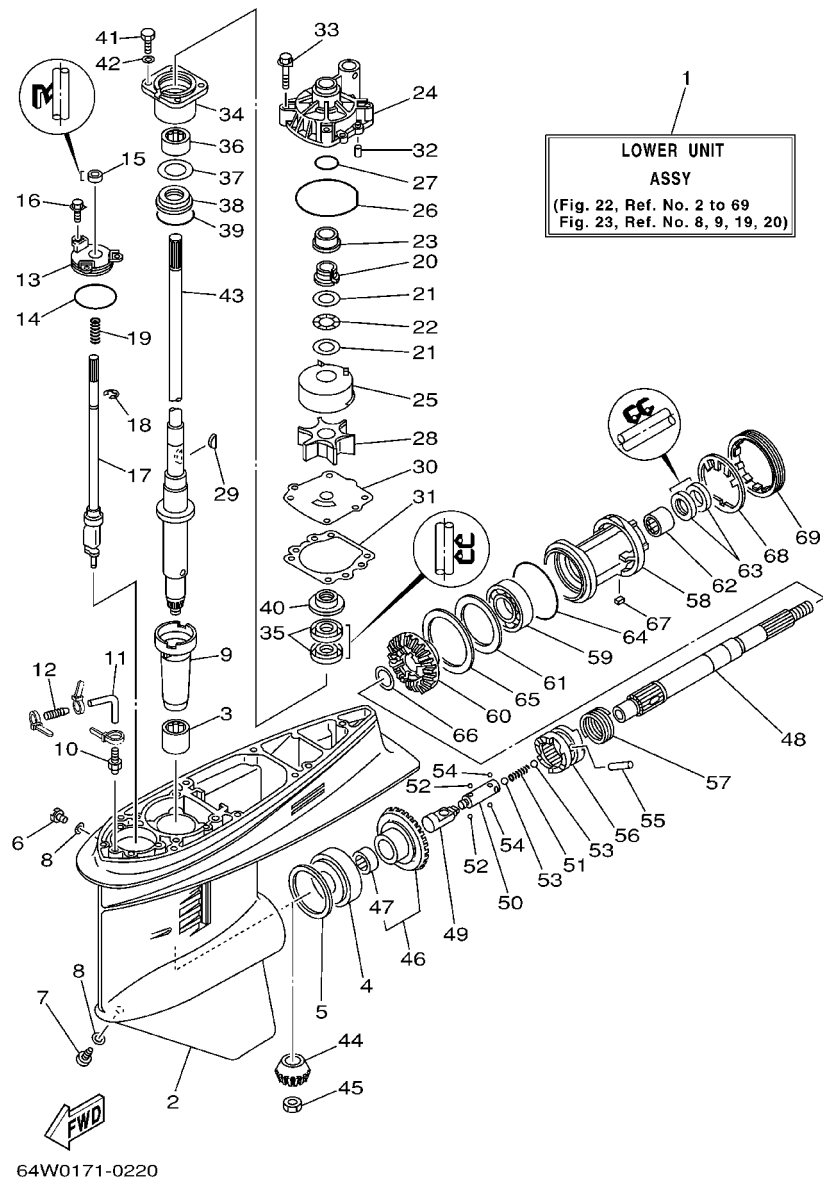
REF. NO.	PART NO. CODIGO NO.	DESCRIPTION DESCRIPTION	QTY	UNIT	REMARKS OBSERVACION
1	6E5-45300-17-8D	LOWER UNIT ASSY CONJUNTO UNIDAD INFERIOR	1	1	L
	6E5-45300-27-8D	LOWER UNIT ASSY CONJUNTO UNIDAD INFERIOR		1	X
2	6E5-45301-05-8D	CASING, LOWER FUNDA INFERIOR COMPLETA	1	1	
3	93315-628U9	BEARING COJINETE DE RODILLOS	1	1	
4	93332-000U7	BEARING COJINETE DE RODILLOS AHUSADO	1	1	
5	6E5-45567-01-10	SHIM (T:0.10MM) LAMINA (T:0.10MM)	1	1	UR
	6E5-45567-01-12	SHIM (T:0.12MM) LAINA (T:0.12MM)	1	1	UR
	6E5-45567-01-15	SHIM (T:0.15MM) LAINA (T:0.15MM)	1	1	UR
	6E5-45567-01-18	SHIM (T:0.18MM) LAINA (T:0.18MM)	1	1	UR
	6E5-45567-01-30	SHIM (T:0.30MM) LAINA (T:0.30MM)	1	1	UR
	6E5-45567-01-40	SHIM (T:0.40MM) LAINA (T:0.40MM)	1	1	UR
	6E5-45567-01-50	SHIM (T:0.50MM) LAINA (T:0.50MM)	1	1	UR
6	90340-08002	PLUG, STRAIGHT SCREW TORNILLO, DE DRENAJE	1	1	
7	688-45341-10	PLUG, DRAIN TAPON, DREN	1	1	
8	90430-08020	GASKET JUNTA	2	2	
9	6E5-45536-00	SLEEVE, DRIVE SHAFT CAMISA EJE DE MANDO	1	1	
10	6E5-45378-00	NIPPLE, HOSE NIPLE MANGUERA	1	1	
11	90445-07ME8	HOSE (L80) TUBO (L80)	1	1	L
	90445-07ME9	HOSE (L120) TUBO (L120)		1	X
12	6E5-83558-10	END, NIPPLE EXTREMO DE NIPLE	1	1	
13	6E5-45321-00	PLATE PLACA	1	1	
14	93210-58144	O-RING JUNTA TORICA	1	1	
15	93106-09014	OIL SEAL RETEN DE ACEITE	1	1	
16	90119-06M10	BOLT, WITH WASHER TORNILLO CON ARANDELA	3	3	
17	6E5-44150-02	SHIFT CAM ASSY CONJUNTO EJE LEVA COMPL.	1	1	
18	99001-08600	CIRCLIP PRESILLA REDONDA	1	1	
19	90501-11M10	SPRING, COMPRESSION RESORTE DE COMPRESION	1	1	



64W0171-0220

FIG. 22 LOWER CASING. DRIVE 1 IMPULSOR E INFERIOR 1

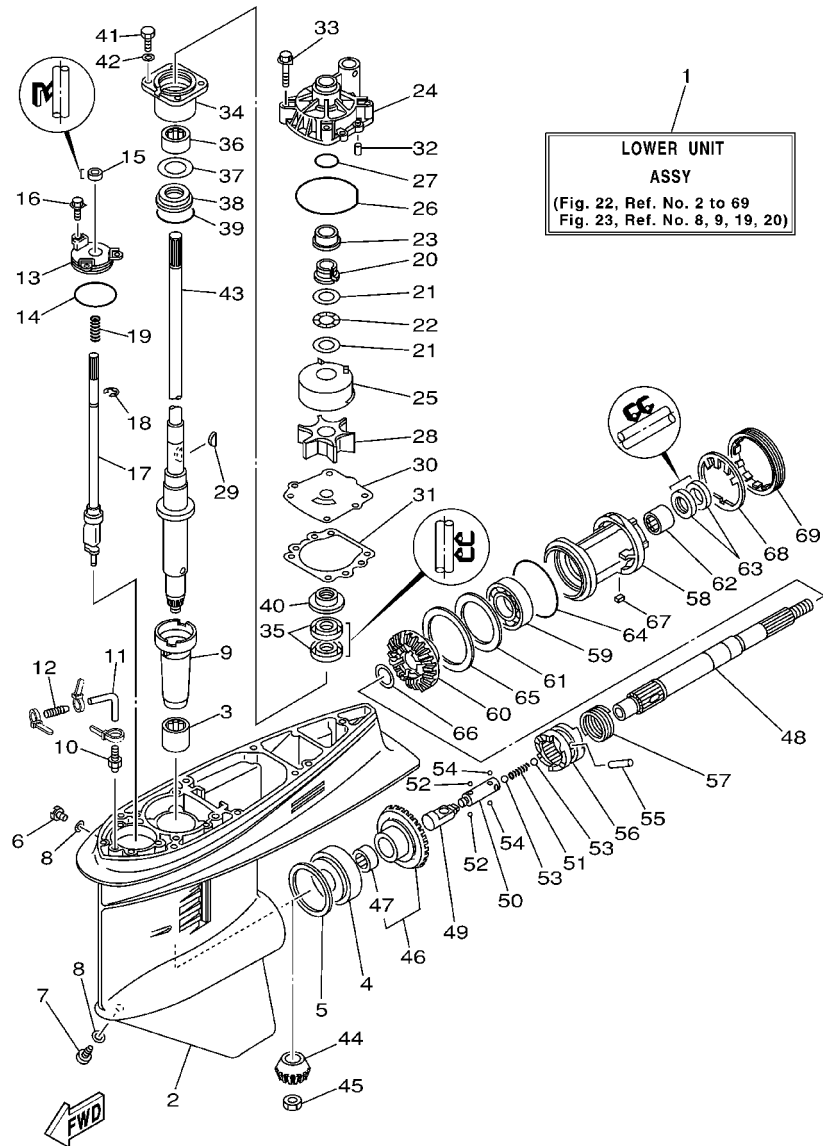
REF. NO.	PART NO. CODIGO NO.	DESCRIPTION DESCRIPTION	QTY	UNIT	REMARKS OBSERVACION
20	61A-45538-00	SPACER 1 ESPACIADOR 1	1	1	
21	90201-22M01	WASHER, PLATE ARANDELA PLANA	2	2	
22	90206-22M19	WASHER, WAVE ARANDELA ONDULADA	1	1	
23	61A-45527-00	COLLAR, DRIVE SHAFT COLLAR EJE FLECHA DE PROPULSION	1	1	
24	61A-44311-01	HOUSING, WATER PUMP CAJA BOMBA DE AGUA	1	1	
25	61A-44322-02	INSERT, CARTRIDGE CARTUCHO	1	1	FOR STD
	6R3-44322-42	INSERT, CARTRIDGE CARTUCHO	1	1	FOR CHROMATE
26	93210-86M38	O-RING JUNTA TORICA	1	1	
27	93210-37160	O-RING JUNTA TORICA	1	1	
28	6E5-44352-01	IMPELLER IMPULSOR	1	1	
29	90280-04M05	KEY, WOODRUFF CUNA WOODRUFF	1	1	
30	6E5-44323-00	OUTER PLATE, CARTRIDGE PLACA EXTERIOR DEL CARTUCHO	1	1	FOR STD
	6E5-44323-40	OUTER PLATE, CARTRIDGE PLACA EXTERIOR DEL CARTUCHO	1	1	FOR CHROMATE
31	6E5-44315-A0	GASKET, WATER PUMP EMPAQUE	1	1	
32	93606-12019	PIN, DOWEL PASADOR DE CLAVIJA	2	2	
33	90119-08M14	BOLT, WITH WASHER TORNILLO CON ARANDELA	4	4	
34	6E5-45331-00-94	HOUSING, BEARING CAJA DE COJINETE	1	1	
35	93101-28M16	OIL SEAL RETEN DE ACEITE	2	2	
36	93317-330U2	BEARING COJINETE DE RODILLOS	1	1	
37	6E5-45587-01-10	SHIM (T:0.10MM) LAINA (T:0.10MM)	1	1	UR
	6E5-45587-01-12	SHIM (T:0.12MM) LAINA (T:0.12MM)	1	1	UR
	6E5-45587-01-15	SHIM (T:0.15MM) LAINA (T:0.15MM)	1	1	UR
	6E5-45587-01-18	SHIM (T:0.18MM) LAINA (T:0.18MM)	1	1	UR
	6E5-45587-01-30	SHIM (T:0.30MM) LAINA (T:0.30MM)	1	1	UR
	6E5-45587-01-40	SHIM (T:0.40MM) LAINA (T:0.40MM)	1	1	UR
	6E5-45587-01-50	SHIM (T:0.50MM) LAINA (T:0.50MM)	1	1	UR
38	93341-930V2	BEARING COJINETES CON RODAMIENTOS	1	1	



64W0171-0220

FIG. 22 LOWER CASING. DRIVE 1 IMPULSOR E INFERIOR 1

REF. NO.	PART NO. CODIGO NO.	DESCRIPTION DESCRIPTION	QTY	QTY		REMARKS OBSERVACION
39	93210-55M14	O-RING JUNTA TORICA	1	1		
40	6E5-45344-00	COVER, OIL SEAL CUBIERTA SELLO ACEITE	1	1		
41	97095-08025	BOLT PERNO	4	4		
42	92995-08600	WASHER ARANDELA	4	4		
43	6E5-45501-01	DRIVE SHAFT COMP. EJE DE MANDO COMPL.	1	1		L
	6E5-45501-21	DRIVE SHAFT COMP. EJE DE MANDO COMPL.		1		X
44	6E5-45551-02	PINION PINON	1	1		
45	90170-16M01	NUT TUERCA	1	1		
46	6E5-45560-01	GEAR ENGRANE COMPLE 1	1	1		
47	93315-425U7	.BEARING .COJINETE DE RODILLOS	1	1		
48	6E5-45611-01	SHAFT, PROPELLER EJE PROPUSOR	1	1		
49	6E5-45641-02	SHIFTER CAMBIO	1	1		
50	6E5-45634-01	SLIDE, SHIFT DESLIZADOR, CAMBIO	1	1		
51	90501-16M37	SPRING, COMPRESSION RESORTE DE COMPRESION	1	1		
52	93507-32009	BALL ESFERA	2	2		
53	93511-32017	BALL ESFERA	2	2		
54	93503-16003	BALL ESFERA	2	2		
55	90250-08M07	PIN, STRAIGHT PASADOR CILINDRICO	1	1		
56	6E5-45631-01	CLUTCH, DOG EMBRAGUE DE GARRA	1	1		
57	6E5-45633-01	RING, CROSS PIN ANILLO DE PASADOR	1	1		
58	6E5-45332-00-94	HOUSING, BEARING CAJA BALERO 2	1	1		
59	93306-208U0	BEARING COJINETE	1	1		
60	6E5-45571-01	GEAR ENGRANAJE	1	1		
61	6E5-45576-00	WASHER, THRUST ARANDELA DE EMPUJE AXIAL	1	1		
62	93315-430U8	BEARING COJINETE DE RODILLOS	1	1		
63	93101-30M17	OIL SEAL RETEN DE ACEITE	2	2		
64	93210-86M39	O-RING JUNTA TORICA	1	1		



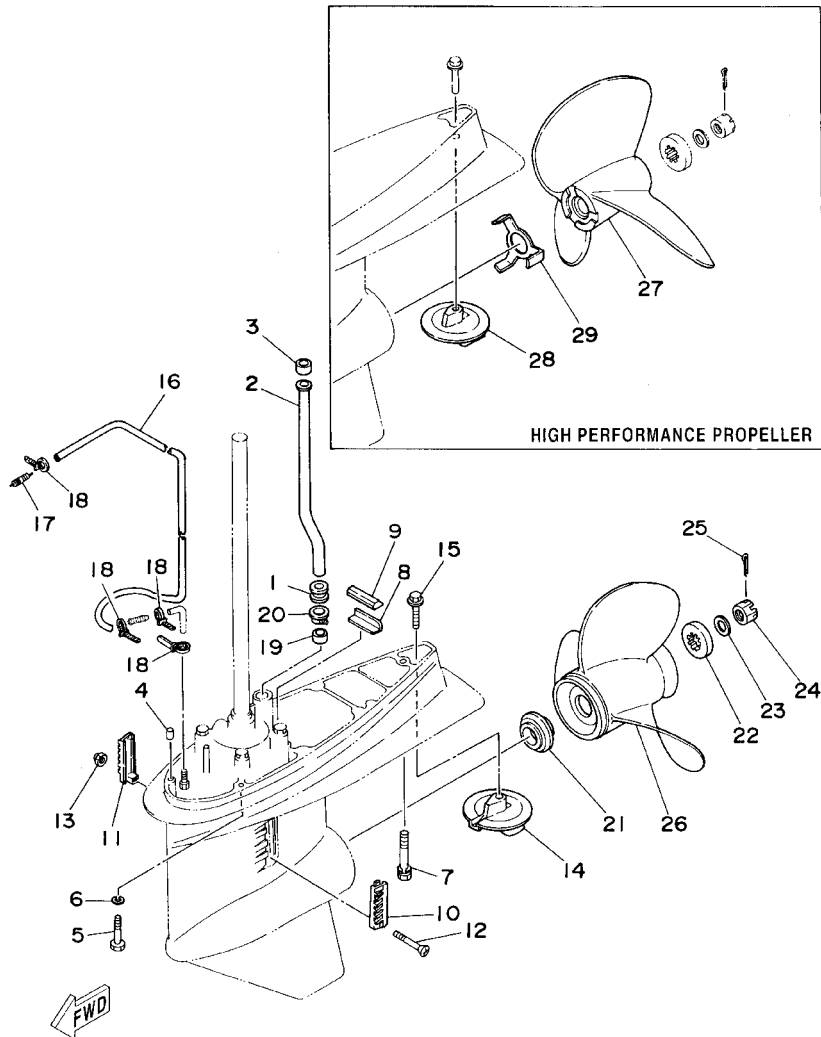
64W0171-0220

FIG. 22 LOWER CASING. DRIVE 1 IMPULSOR E INFERIOR 1

REF. NO.	PART NO. CODIGO NO.	DESCRIPTION DESCRIPTION	QTY	QTY		REMARKS OBSERVACION
65	6L6-45577-00-10	SHIM (T:0.10MM) LAINA (T:0.10MM)	1	1		UR
	6L6-45577-00-12	SHIM (T:0.12MM) LAINA (:0.12MM)	1	1		UR
	6L6-45577-00-15	SHIM (T:0.15MM) LAINA (T:0.15MM)	1	1		UR
	6L6-45577-00-18	SHIM (T:0.18MM) LAINA (T:0.18MM)	1	1		UR
	6L6-45577-00-30	SHIM (T:0.30MM) LAINA (T:0.30MM)	1	1		UR
	6L6-45577-00-40	SHIM (T:0.40MM) LAINA (T:0.40MM)	1	1		UR
	6L6-45577-00-50	SHIM (T:0.50MM) LAINA (T:0.50MM)	1	1		UR
66	90201-30M92	WASHER, PLATE ARANDELA PLANA	1	1		
67	90282-04010	KEY, STRAIGHT CHAVETA, RECTA	1	1		
68	688-45383-02	WASHER, CLAW ARANDELA DE UNA	1	1		
69	688-45384-00	NUT TUERCA	1	1		

FIG. 23 LOWER CASING. DRIVE 2

IMPULSOR E INFERIOR 2



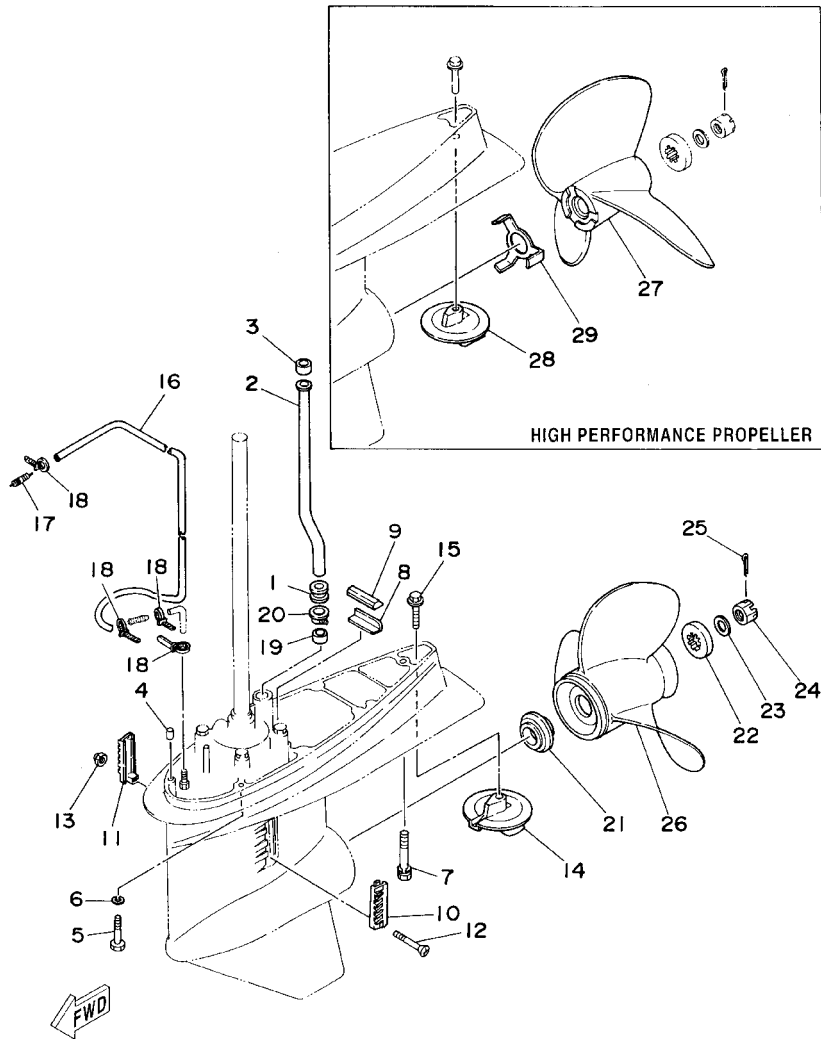
6N60010-4220

REF. NO.	PART NO. CODIGO NO.	DESCRIPTION DESCRIPTION	Q	Q			REMARKS OBSERVACION
1	6E5-44366-00	DAMPER, WATER SEAL GOMA DEL SELLO DE AGUA	1	1			
2	6E5-44361-00	TUBE, WATER TUBO DE AGUA	1	1			L
	6E5-44361-20	TUBE, WATER TUBO DE AGUA		1			X
3	6E5-44365-00	DAMPER, WATER SEAL HULE DE SELLO DE AGUA	1	1			
4	93608-12M05	PIN, DOWEL PASADOR DE CLAVIJA	2	2			
5	97075-10045	BOLT PERNO	6	6			
6	92995-10100	WASHER ARANDELA	6	6			
7	90119-10M89	BOLT, WITH WASHER TORNILLO CON ARANDELA	1	1			
8	663-45376-00-94	GUIDE, SEAL DAMPER GUIA DE SELLO GOMA	1	1			
9	688-45375-00	DAMPER, SEAL GOMA DE SELLO	1	1			
10	688-45214-02	COVER, WATER INLET CUBIERTA ENTRADA AGUA	1	1			
11	688-45215-02	COVER, WATER INLET CUBIERTA ENTRADA AGUA	1	1			
12	90152-05M07	SCREW, COUNTERSUNK TORNILLO EMBUTIDO	1	1			
13	90185-05002	NUT, SELF-LOCKING TUERCA AUTOBLOCANTE	1	1			
14	6E5-45371-01	TAB-TRIM QUILLA ESTABILIZADOR	1	1			
15	90105-10M00	BOLT, FLANGE TORNILLO	1	1			
16	90445-07MF0	HOSE (L1030) TUBO (L1030)	1	1			
17	6E5-83558-00	END, NIPPLE EXTREMO DE NIPLE	1	1			
18	90465-11M10	CLAMP BRIDA	4	4			
19	6E5-44365-00	DAMPER, WATER SEAL HULE DE SELLO DE AGUA	1	1			
20	6E5-44312-00	COVER, WATER PUMP HOUSING CUBIERTA CAJA BOMBA DE AGUA	1	1			
21	6E5-45987-01	SPACER ESPACIADOR	1	1			
22	688-45997-01	SPACER ESPACIADOR	1	1			
23	92990-18200	WASHER ARANDELA PLANA	1	1			
24	90171-18M04	NUT, CASTLE TUERCA ENTALLADA	1	1			
25	91490-40030	PIN, COTTER CHAVETA	1	1			
26	6E5-45941-00-EL	PROPELLER (3X13"X19"-K) PROPELA (3X13"X19"-K)	1	1			UR

B1

FIG. 23 LOWER CASING. DRIVE 2

IMPULSOR E INFERIOR 2

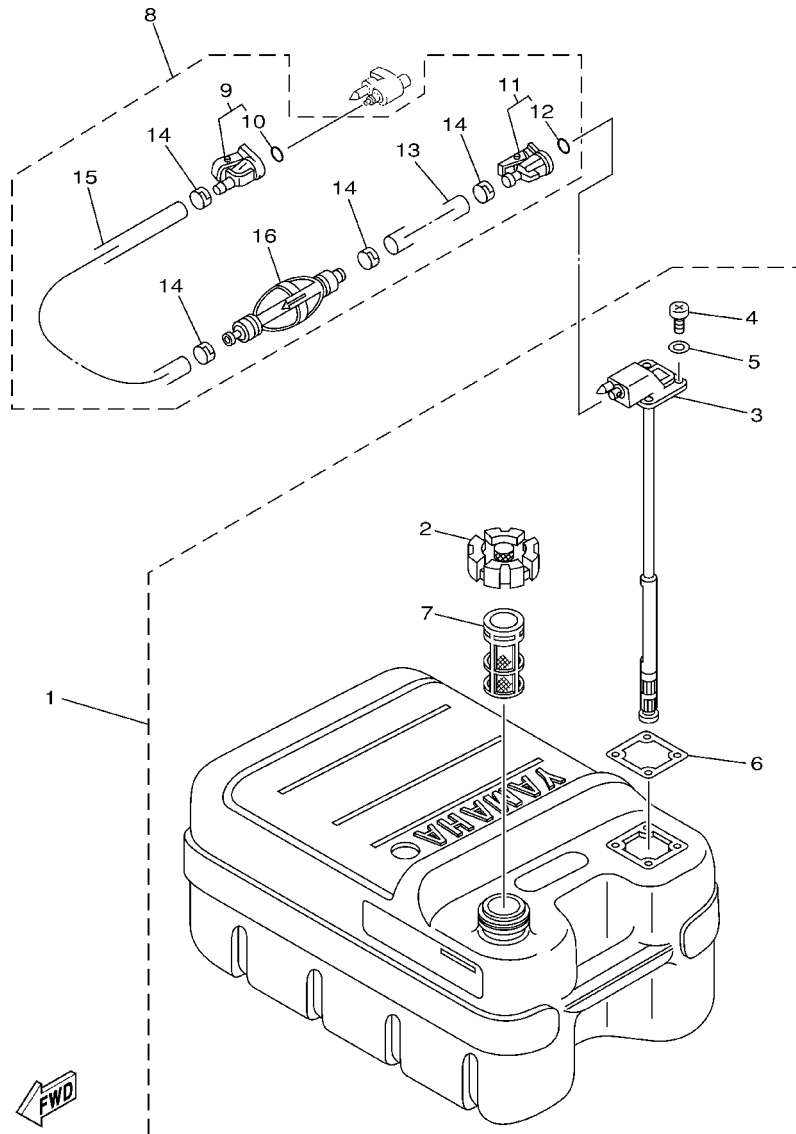


6N60010-4220

REF. NO.	PART NO. CODIGO NO.	DESCRIPTION DESCRIPTION	QTY	QTY	REMARKS OBSERVACION
26	6E5-45943-00-EL	PROPELLER (3X12-5/8"X21"-K) PROPELA (3X12-5/8"X21"-K)	1	1	UR
	6E5-45945-01-EL	PROPELLER (3X13-1/4"X17"-K) PROPELA (3X13-1/4"X17"-K)	1	1	UR
	6E5-45947-00-EL	PROPELLER (3X13-1/2"X15"-K) PROPELA (3X13-1/2"X15"-K)	1	1	UR
	6E5-45949-00-EL	PROPELLER (3X13-5/8"X13"-K) PROPELA (3X13-5/8"X13"-K)	1	1	UR
	6E5-45952-00-EL	PROPELLER (3X13"X23"-K) PROPELA (3X13"X23"-K)	1	1	UR
	6E5-45954-00-EL	PROPELLER (3X14"X11"-K) PROPELA (3X14"X11"-K)	1	1	UR
	6E5-45956-00-EL	PROPELLER (3X13"X25"-K) PROPELA (3X13"X25"-K)	1	1	UR
		STAINLESS STEEL PROPELLER LIMPIO-ACERO DEL PROPELA			
	688-45930-02-98	PROPELLER (3X13"X17"-K) PROPELA (3X13"X17"-K)	1	1	UR
	688-45932-60-98	PROPELLER (3X13-1/2"X14"-K) PROPELA (3X13-1/2"X14"-K)	1	1	UR
	688-45970-03-98	PROPELLER (3X13"X19"-K) PROPELA (3X13"X19"-K)	1	1	UR
	688-45972-02-98	PROPELLER (3X13"X21"-K) PROPELA (3X13"X21"-K)	1	1	UR
	688-45974-02-98	PROPELLER (3X13"X23"-K) PROPELA (3X13"X23"-K)	1	1	UR
	688-45976-01-98	PROPELLER (3X13"X25"-K) PROPELA (3X13"X25"-K)	1	1	UR
	688-45978-60-98	PROPELLER (3X13-1/2"X16"-K) PROPELA (3X13-1/2"X16"-K)	1	1	UR
		HIGH PERFORMANCE PROPELLER ALTO COMPOSICION DEL PROPELA			
27	6E5-45970-10	PROPELLER (3X14"X20"-P) PROPELA (3X14"X20"-P)	1	1	UR
	6E5-45972-10	PROPELLER (3X14"X24"-P) PROPELA (3X14"X24"-P)	1	1	UR
	6E5-45974-10	PROPELLER (3X14"X28"-P) PROPELA (3X14"X28"-P)	1	1	UR
	6E5-45976-10	PROPELLER (3X14"X22"-P) PROPELA (3X14"X22"-P)	1	1	UR
	6E5-45978-10	PROPELLER (3X14"X26"-P) PROPELA (3X14"X26"-P)	1	1	UR
28	6E5-45371-10	TAB-TRIM QUILLA ESTABILIZADOR	1	1	
29	6E5-45994-10	PLATE, TOOTH PLACA	1	1	

FIG. 24 FUEL TANK

DEPOSITO DE COMBUSTIBLE

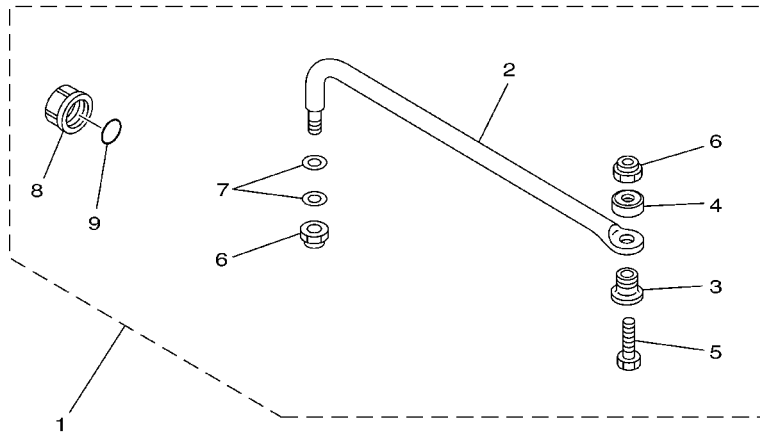


6E50700-0210

REF. NO.	PART NO. CODIGO NO.	DESCRIPTION DESCRIPTION	QTY	UNIT	REMARKS OBSERVACION
1	6YJ-24201-00	FUEL TANK ASSY (24L)	1	1	AP
	6YJ-24201-10	TANQUE DEL COMBUSTIBLE (24L)			
	6YJ-24201-10	FUEL TANK ASSY (24L)		1	AP FOR CHINA
	6YJ-24201-10	TANQUE DEL COMBUSTIBLE (24L)			
2	6YJ-24610-01	.CAP ASSY	1	1	
	6YJ-24610-01	.TAPA COMPLETA			
3	6YJ-24260-00	.FUEL METER ASSY	1	1	
	6YJ-24260-00	.MEDIDOR DE COMBUSTIBLE COMPL.			
	6Y1-24260-12	.FUEL METER ASSY		1	FOR CHINA
	6Y1-24260-12	.MEDIDOR DE COMBUSTIBLE COMPL.			
4	98586-05016	.SCREW, PAN HEAD	4	4	
	98586-05016	.TORNILLO DE CABEZA CON PLANA			
5	6Y1-24329-00	.SEAL	4	4	
	6Y1-24329-00	.SELLO			
6	6Y1-24268-00	.GASKET, FUEL METER	1	1	
	6Y1-24268-00	.EMPAQ MEDIDOR DE COMBUSTIBLE			
7	6YJ-24167-00	.STRAINER	1	1	
	6YJ-24167-00	.COLADOR			
8	6Y2-24306-07	FUEL PIPE COMP. 1	1	1	AP
	6Y2-24306-07	TUBO COMBUST. COMPL 1			
9	6E5-24305-04	.FUEL PIPE JOINT COMP. 2	1	1	
	6E5-24305-04	.CONECTOR MANGUERA COMBUST. 2			
10	93210-08287	..O-RING	1	1	
	93210-08287	..JUNTA TORICA			
11	6Y2-24305-04	.FUEL PIPE JOINT COMP. 2	1	1	
	6Y2-24305-04	.CONECTOR MANGUERA COMBUST. 2			
12	93210-08287	..O-RING	1	1	
	93210-08287	..JUNTA TORICA			
13	90445-13M01	.HOSE (L2050)	1	1	
	90445-13M01	.MANGUERA (L2050)			
14	6E5-24351-50	.BAND 1	4	4	
	6E5-24351-50	.ABRAZADERA 1			
15	90445-13M00	.HOSE (L850)	1	1	
	90445-13M00	.MANGUERA (L850)			
16	6Y2-24360-02	.PRIMER PUMP ASSY	1	1	
	6Y2-24360-02	.SOPORTE BOMBA			

FIG. 25 STEERING GUIDE

DIRECCIONGUIAR

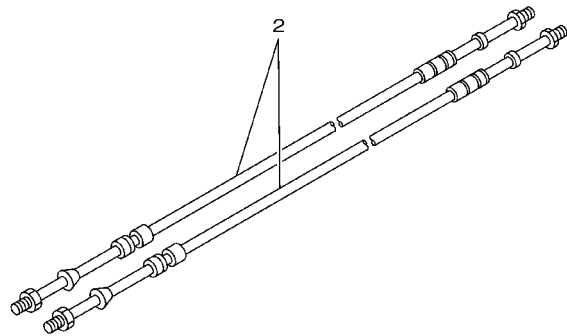
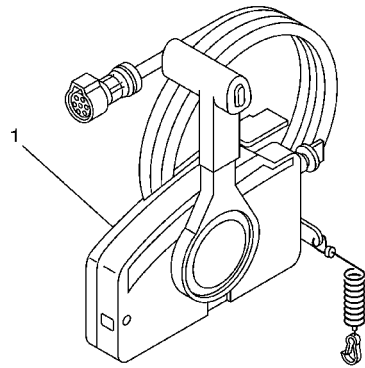


REF. NO.	PART NO. CODIGO NO.	DESCRIPTION DESCRIPTION	Q	Q		REMARKS OBSERVACION
1	6E5-61350-02	STEERING GUIDE ATTACHMENT KIT ESTUCHE ADITAMENTO GUIA DE TIM		1		AP FOR CHINA
2	6E5-61351-01	.ROD, STEERING LINK .VARILLA ESLABON DIRECCION		1		
3	90387-10M61	.COLLAR .COLLAR		1		
4	90560-12M01	.SPACER .SEPARADOR		1		
5	6E5-61355-00	.BOLT .TORNILLO		1		
6	90185-09M01	.NUT, SELF-LOCKING .TUERCA AUTOBLOCANTE		2		
7	90201-10M20	.WASHER, PLATE .ARANDELA PLANA		2		
8	6E5-43145-01	.CAP, CLAMP BRACKET .TAPA		1		
9	93210-16275	.O-RING .JUNTA TORICA		1		

67H0100-9290

FIG. 26 REMOTE CONTROL BOX

CONTROL REMOTO COMPL.



REF. NO.	PART NO. CODIGO NO.	DESCRIPTION DESCRIPTION	E	ET		REMARKS OBSERVACION
1	703-48205-17	REMOTE CONTROL ASSY REMOTO CONTROL COMPL.		1		AP WITH PT/T SW.
	703-48201-16	REMOTE CONTROL ASSY REMOTO CONTROL COMPL.		1		AP
2	701-48320-50	CABLE, REMOTE CONTROL L=15F CABLE CONTROL REMOTO L=15F	2	2		UR
	701-48320-80	CABLE, REMOTE CONTROL L=17F CABLE CONTROL REMOTO L=17F	2	2		UR
	701-48320-40	CABLE, REMOTE CONTROL L=19F CABLE CONTROL REMOTO L=19F	2	2		UR

 67M0100-8280

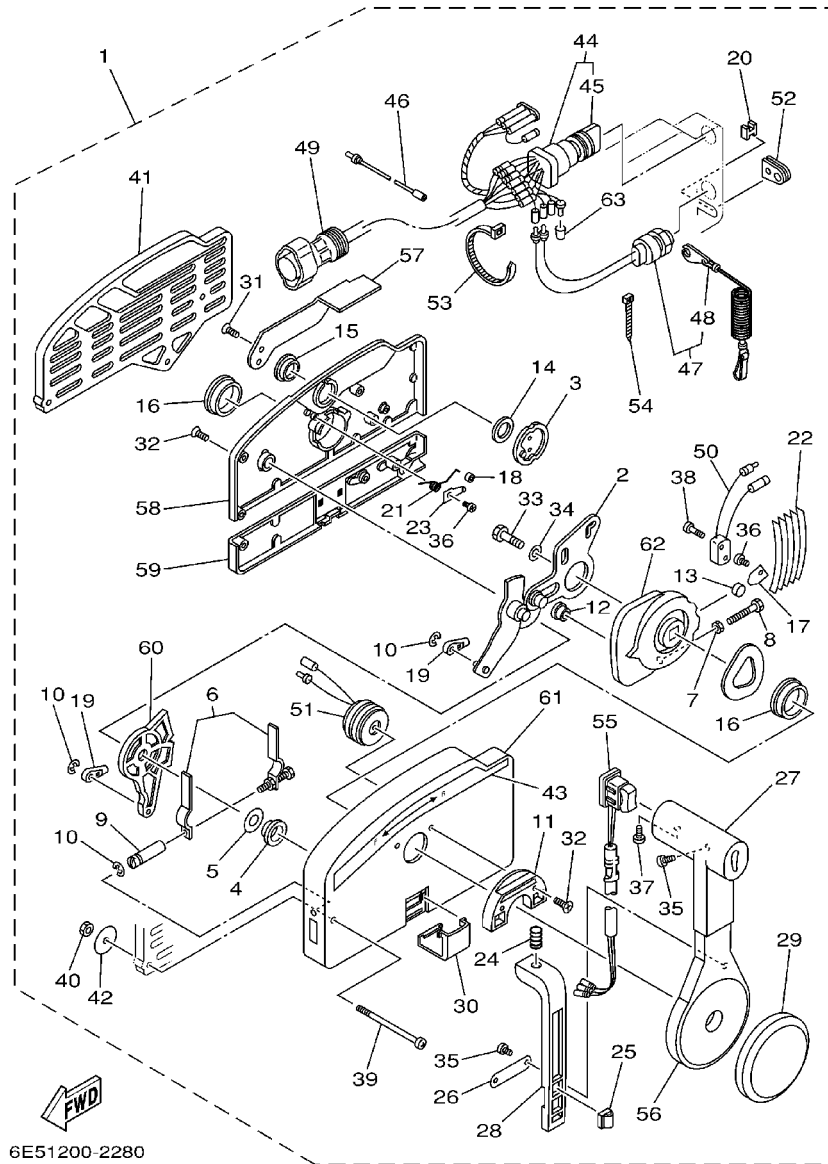
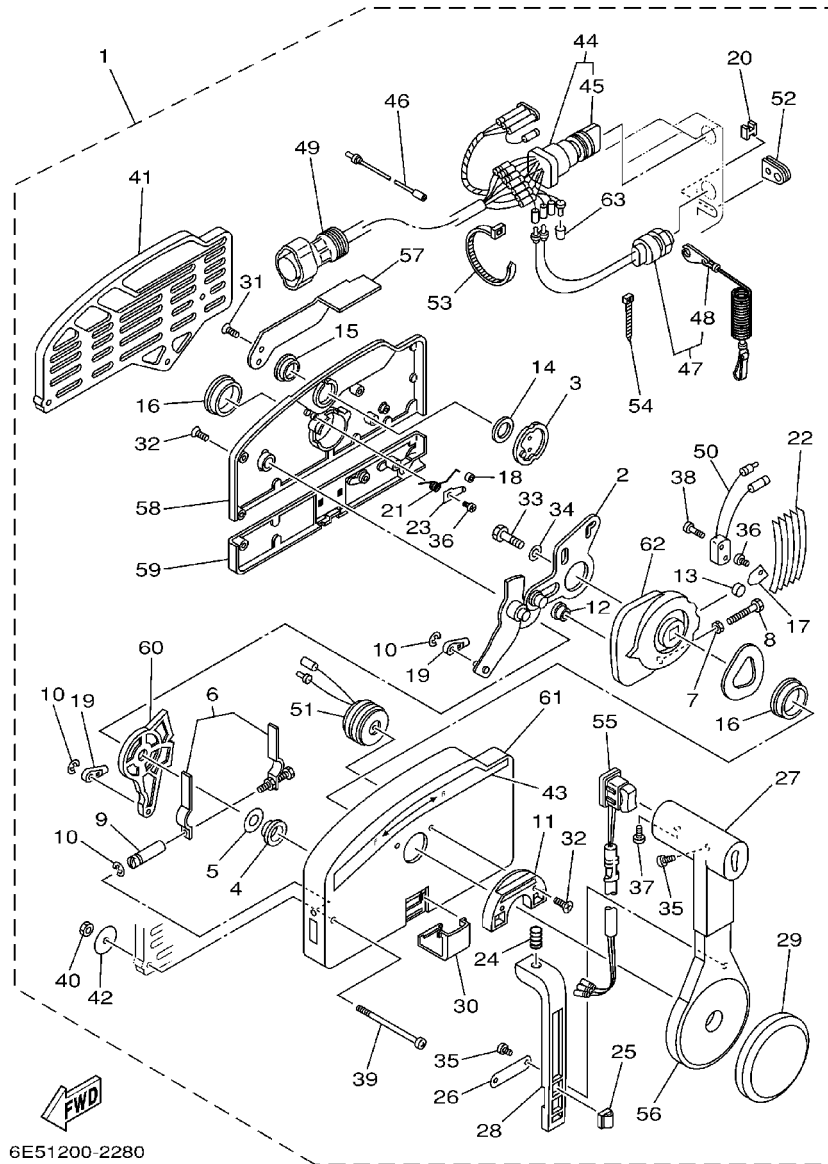


FIG. 27 REMOTE CONTROL ASSY CONTROL REMOTO COMPL.

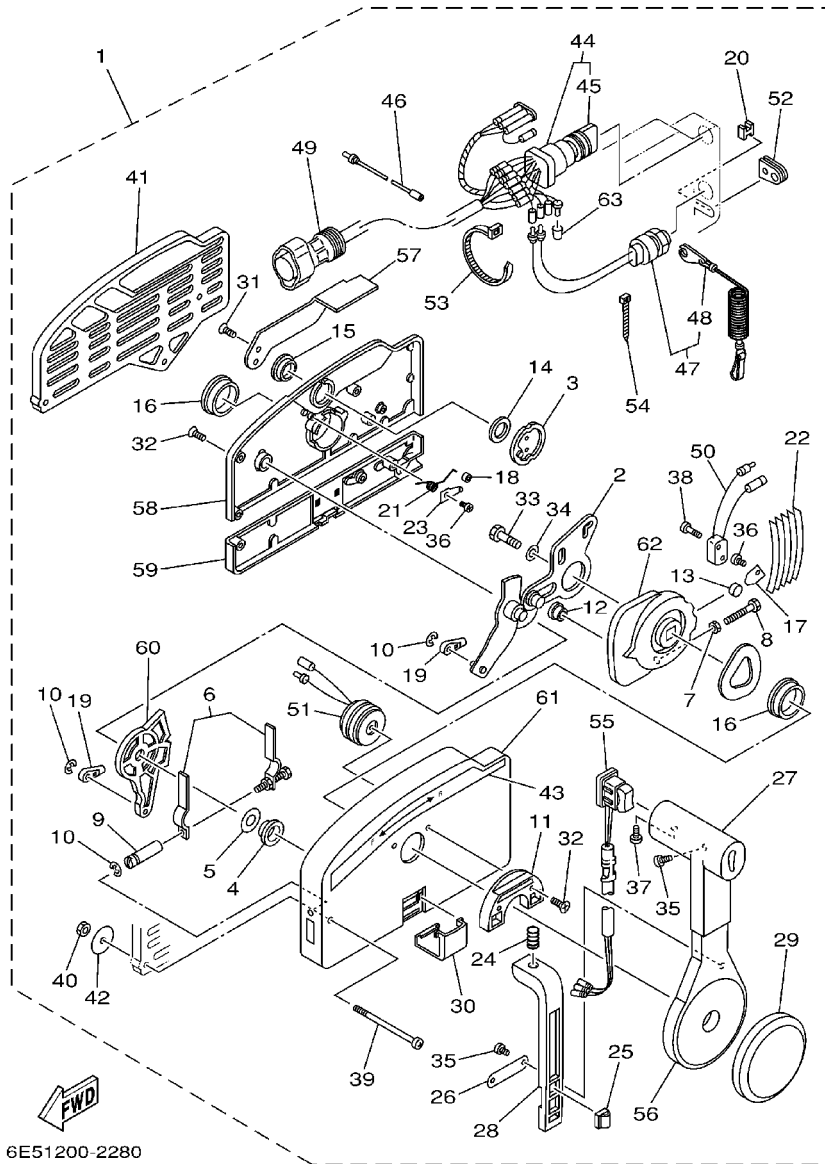
REF. NO.	PART NO. CODIGO NO.	DESCRIPTION DESCRIPTION	U	U	REMARKS OBSERVACION
1	703-48205-17	REMOTE CONTROL ASSY REMOTO CONTROL COMPL.		1	AP WITH PT/T SW.
	703-48201-16	REMOTE CONTROL ASSY REMOTO CONTROL COMPL.	1		AP
2	703-48261-01	.ARM, THROTTLE .BRAZO ACELERADOR	1	1	
3	703-48153-00	.SHAFT, FREE ACCEL. .EJE	1	1	
4	703-48235-00	.BUSHING .BUJE	1	1	
5	703-48268-00	.SPACER .ESPACIADOR 3	1	1	
6	703-48264-00	.THROTTLE, FRICTION .FRICCION ACELERADOR	1	1	
7	95380-05600	.NUT .TUERCA	1	1	
8	97380-05025	.BOLT .TORNILLO HEXAGONAL	1	1	
9	703-48265-00	.SHAFT, FRICTION .EJE FRICCION	1	1	
10	93430-06024	.CIRCLIP .SEGURO	3	3	
11	703-48245-00	.PLATE, LOCK .PLACA CERRADURA	1	1	
12	703-48252-00	.ROLLER, CAM .RODILLO LEVA	1	1	
13	701-48248-00	.ROLLER, FREE ACCEL. .RODILLO ACELERADOR LIBRE	1	1	
14	703-48198-00	.WASHER, WAVE .RONDANA ONDULADA 3	1	1	
15	703-48243-00	.BUSHING .BUJE 3	1	1	
16	703-48236-00	.BUSHING 1 .BUJE	2	2	
17	703-48189-00	.RETAINER .RETENEDOR	1	1	
18	703-48234-00	.ROLLER, DETENT .RODILLO	1	1	
19	703-48345-01	.CABLE END, REMOTE CONTROL 2 .TERMINAL CABLE DE CONTROL REM	2	2	
20	703-48358-00	.ANCHOR, CABLE .ABRAZADERA CABLE	1	1	
21	703-48244-00	.SPRING, FREE ACCEL. .RESORTE ACELERADOR LIBRE	1	1	
22	703-48238-00	.SPRING, DETENT .RESORTE	5	5	
23	703-48246-00	.SPACER .ESPACIADOR	1	1	
24	703-48227-00	.SPRING, NEUTRAL LOCK .RESORTE DE SEGURO	1	1	
25	703-82594-00	.CLAMP .GRAMPA	1		WITH PT/T SW.
26	703-48226-00	.PLATE, STOPPER .PLACA RETEN	1	1	

FIG. 27 REMOTE CONTROL ASSY CONTROL REMOTO COMPL.



6E51200-2280

REF. NO.	PART NO. CODIGO NO.	DESCRIPTION DESCRIPTION	U	U				REMARKS OBSERVACION
27	703-48222-00	.GRIP, CONTROL LEVER .MANGO DE PALANCA CONTROL	1	1				SINGLE
28	703-48223-00	.LOCK, NEUTRAL .CERRADURA NEUTRO	1	1				
29	703-48225-00	.COVER .CUBIERTA	1	1				
30	703-48219-00	.COVER, LEAD .CUBIERTA	1	1				
31	703-48281-00	.SCREW .TORNILLO 1	2	2				
32	703-48282-00	.SCREW .TORNILLO 2	7	7				
33	97380-08030	.BOLT .TORNILLO HEXAGONAL	1	1				
34	92990-08600	.WASHER, PLATE .ARANDELA PLANA	1	1				
35	98580-04010	.SCREW, PAN HEAD .TORNILLO DE CABEZA CRUZADA	3	3				
36	98580-04006	.SCREW, PAN HEAD .TORNILLO DE CABEZA CRUZADA	2	2				
37	98580-05010	.SCREW, PAN HEAD .TORNILLO DE CABEZA CRUZADA	1	1				
38	98580-03015	.SCREW, PAN HEAD .TORNILLO DE CABEZA CRUZADA	2	2				
39	703-48291-10	.SCREW (M6) .TORNILLO (M6)	3	3				
40	95380-06600	.NUT, HEXAGON .TUERCA	3	3				
41	703-48293-10	.SPACER, REMOTE CONTROL .ESPACIADOR	1	1				SINGLE
42	701-48287-00	.WASHER .ARANDELA	3	3				
43	703-48215-00	.GRAPHIC .CALCOMANIA 1	1	1				
44	703-82510-43	.MAIN SWITCH ASSY .CONJUNTO DE LLAVE IGNICION	1	1				
45	703-82577-00	.CAP, KEY .TAPA	1	1				
46	703-82531-00	.WIRE, LEAD .CABLE CONDUCTOR	1	1				
47	688-82575-01	.ENGINE STOP SWITCH ASSY .INTERRUPTOR DE PARADA COMPL	1	1				
48	682-82556-00	.STOPPER .RETENER	1	1				
49	688-8258A-20	.EXTENSION, WIRE HARNESS .EXTENSION, ARNES DE CABLES	1	1				L:5M (10P)
50	703-82540-00	.NEUTRAL SWITCH ASSY .INTERRUPTOR NEUTRAL COMPL	1	1				
51	703-83383-02	.BUZZER .ZUMBADOR	1	1				
52	703-48284-00	.GROMMET .TAPON 1	1	1				
53	703-82591-00	.BAND .BANDA	1	1				



6E51200-2280

FIG. 27 REMOTE CONTROL ASSY CONTROL REMOTO COMPL.

REF. NO.	PART NO. CODIGO NO.	DESCRIPTION DESCRIPTION	U	U			REMARKS OBSERVACION
54	703-82592-00	.BAND .BANDA	1	1			
55	703-82563-02	.TRIM & TILT SWITCH ASSY .INTERRUPTOR DE INCLINACION		1			WITH PT/T SW.
	703-48224-00	.COVER, CONTROL LEVER .CUBIERTA DE PALANCA CONTROL		1			WITHOUT PT/T SW.
56	703-48221-00	.LEVER, CONTROL .PALANCA CONTROL	1	1			
57	703-48152-00	.KNOB, FREE ACCEL. .PERILLA	1	1			
58	703-48212-00	.BACK PLATE 1 .PLACA TRASERA 1	1	1			
59	703-48213-00	.BACK PLATE 2 .PLACA TRASERA 2	1	1			
60	703-48271-00	.ARM, SHIFT .BRAZO CAMBIADOR	1	1			
61	703-48211-01	.HOUSING,1 .CAJA	1	1			
62	703-48232-00	.GEAR .ENGRANAJE 1	1	1			
63	703-82542-00	.CAP .TAPA	2				FOR 703-48201-16

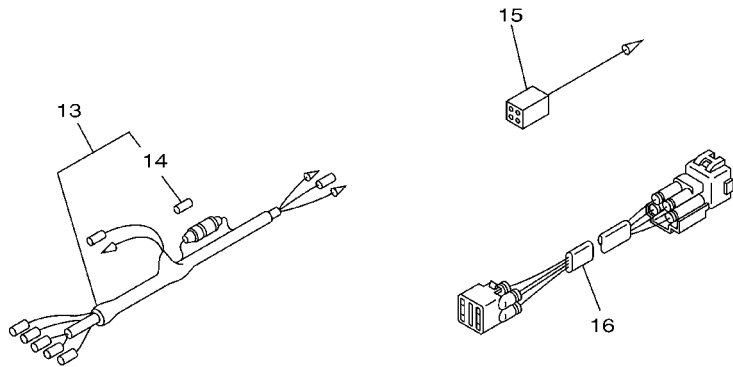
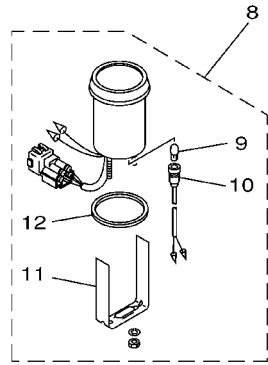
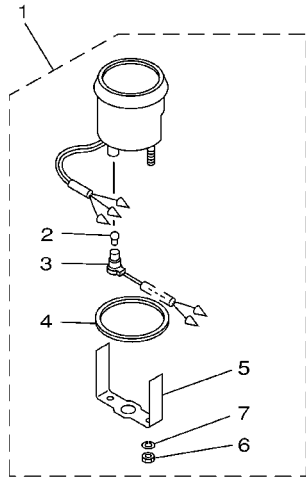


FIG. 28 METER

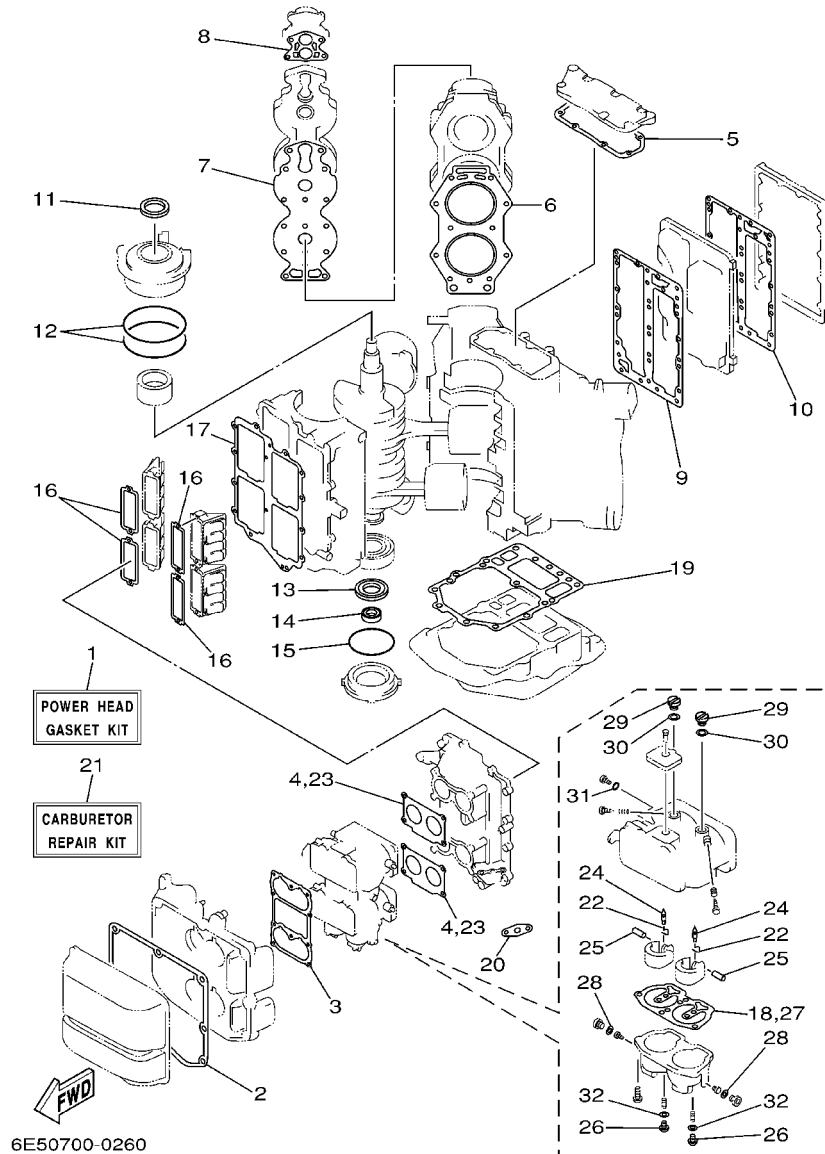
MEDIDOR

REF. NO.	PART NO. CODIGO NO.	DESCRIPTION DESCRIPTION	U	U			REMARKS OBSERVACION
1	6Y5-83540-14	TACHOMETER ASSY TACOMETRO COMPLETO	1	1			AP WITHOUT OIL LAMP
2	6Y5-83517-00	.BULB (12V-1.7W, T10) .BOMBILLA (12V-1.7W, T10)	1	1			
3	6Y5-83536-10	.SOCKET, METER ENCASTRE DE MEDIDOR	1	1			
4	6Y5-83523-00	.DAMPER .AMORTIGUADOR	1	1			
5	6Y5-83514-00	.PLATE, FITTING .PLACA ACCESORIA	1	1			
6	95380-05600	.NUT .TUERCA	2	2			
7	92990-05100	.WASHER, SPRING .ARANDELA GROWER	2	2			
8	6Y5-83670-12	TRIM METER ASSY. MEDIDOR DE INCLINACION		1			AP
9	6Y5-83518-00	.BULB (12V-1.7W, T6.5) .BOMBILLA (12V-1.7W, T6.5)		1			
10	6Y5-83536-00	.SOCKET, METER ENCASTRE DE MEDIDOR		1			
11	6Y5-83544-00	.PLATE, FITTING .PLACA ACCESORIA		1			
12	688-83664-00	.DAMPER .AMORTIGUADOR		1			
13	6Y5-83553-00	WIRE, LEAD CABLE CONDUCTOR	1	1			AP
14	1E6-82151-00	.FUSE (10A) .FUSIBLE (10A)	1	1			
15	6Y5-82117-00	WIRE, LEAD (BLACK) CABLE, CONDUCTOR (NEGRO)		1			AP
16	6R3-82553-70	EXTENSION, WIRE LEAD CABLE		1			AP 4P,7M

6E50200-0280

FIG. 29 REPAIR KIT 1

ESTUCHE REPARATION 1



REF. NO.	PART NO. CODIGO NO.	DESCRIPTION DESCRIPTION	U	ET		REMARKS OBSERVACION
1	6F3-W0001-A5	POWER HEAD GASKET KIT JUEGO DE EMPAQUE	1	1		
2	6E5-14416-A1	.GASKET, AIR CLEANER EMPAQUE	1	1		
3	6E5-14483-A1	.GASKET EMPAQUE	1	1		
4	6E5-14198-A2	.GASKET EMPAQUE	2	2		
5	6E5-11381-A2	.GASKET 1 EMPAQUE 1	1	1		
6	6E5-11181-A1	.GASKET, CYLINDER HEAD 1 .JUNTA, DE CULATA 1	2	2		
7	6E5-11193-A0	.GASKET, HEAD COVER 1 EMPAQUE	2	2		
8	688-12414-A1	.GASKET, COVER EMPAQUE	2	2		
9	6E5-41112-A1	.GASKET, EXHAUST INNER COVER EMPAQUE	1	1		
10	6E5-41112-A1	.GASKET, EXHAUST INNER COVER EMPAQUE	1	1		
11	93102-40M14	.OIL SEAL .RETEN DE ACEITE	1	1		
12	93211-04001	.O-RING .ANILLO EN O	2	2		
13	93102-35M13	.OIL SEAL .RETEN DE ACEITE	1	1		
14	93101-22M15	.OIL SEAL .RETEN DE ACEITE	1	1		
15	93210-74M35	.O-RING .JUNTA TORICA	1	1		
16	6E5-13621-A1	.GASKET, VALVE SEAT .JUNTA, DE VALV.DE EMPAQUE	4	4		
17	6E5-13645-A1	.GASKET, MANIFOLD 1 EMPAQUE	1	1		
18	64D-14384-01	.GASKET, FLOAT CHAMBER EMPAQUE DE CAMARA DE BOIA	2	2		
19	6G5-45113-A1	.GASKET, UPPER CASING EMPAQUE	1	1		
20	650-24431-A0	.GASKET, FUEL PUMP 1 EMPAQUE BOMBA COMBUST 1	1	1		
21	6E5-W0093-09	CARBURETOR REPAIR KIT KIT REPARACION CARBURADOR	1	1		
22	6E5-14159-00	.CLIP .PRESILLA	2	2		
23	6E5-14198-A2	.GASKET EMPAQUE	1	1		
24	6E5-14546-00	.VALVE, NEEDLE .VALVULA DE AGUJA	2	2		
25	6E5-14386-02	.PIN, FLOAT .PASADOR DE BOIA	2	2		
26	64D-14394-00	.VALVE, DRAIN .VALVULA DE DRENAJE	2	2		
27	64D-14384-01	.GASKET, FLOAT CHAMBER EMPAQUE DE CAMARA DE BOIA	1	1		

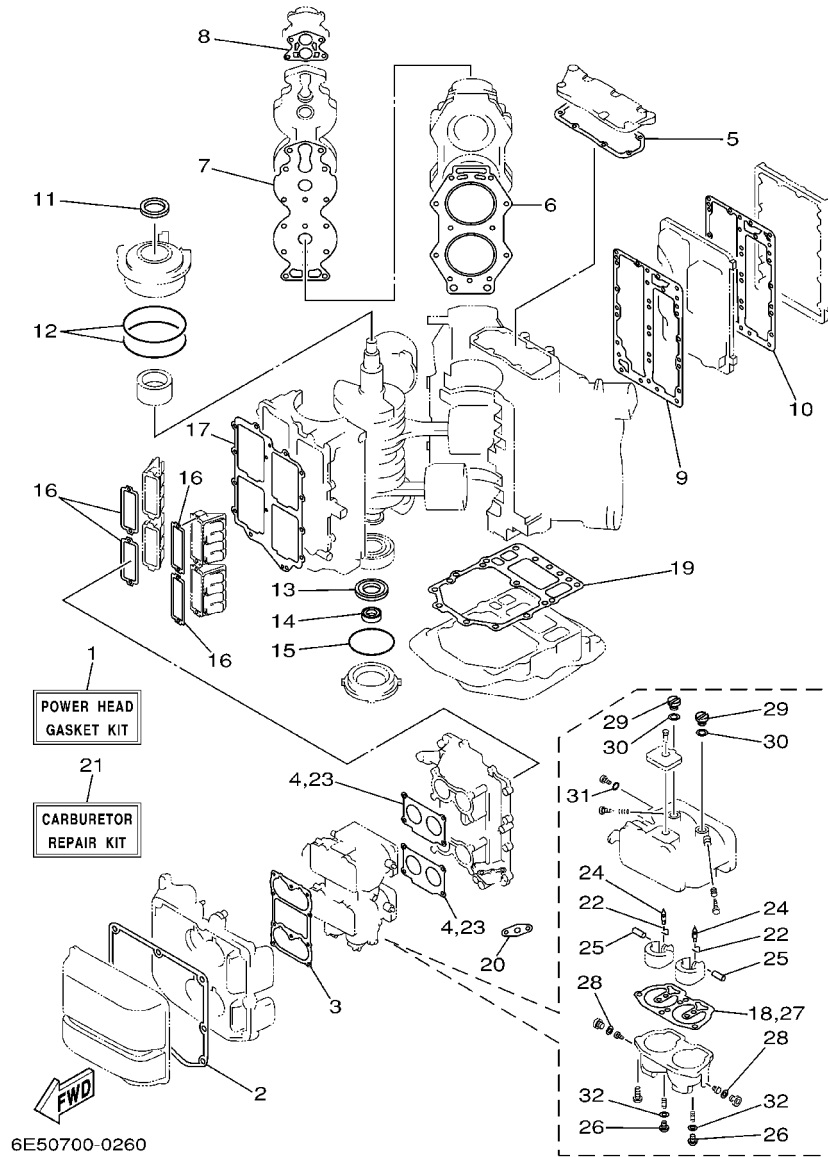


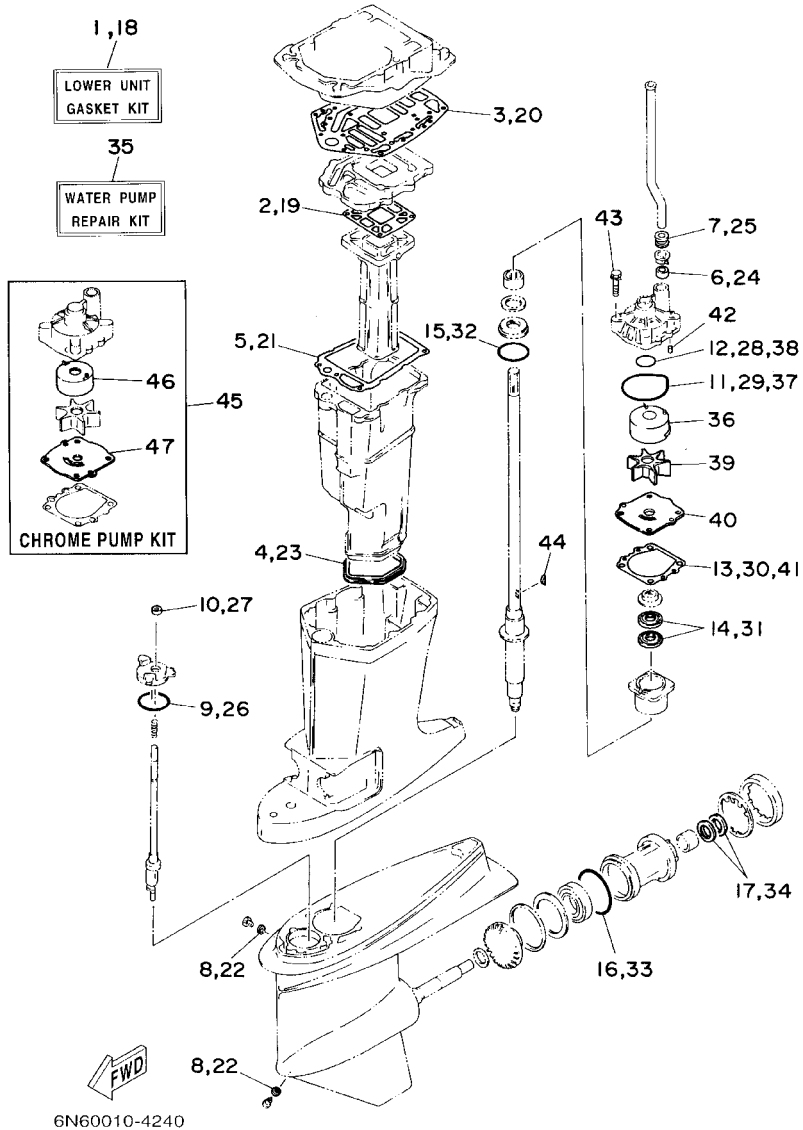
FIG. 29 REPAIR KIT 1

ESTUCHE REPARATION 1

REF. NO.	PART NO. CODIGO NO.	DESCRIPTION DESCRIPTION	E	Et		REMARKS OBSERVACION
28	6E5-14398-00	.GASKET .EMPAQUE	2	2		
29	6E5-14328-01	.PLUG .TORNILLO TOPE DE PILOTO	2	2		
30	6E5-14979-00	.GASKET EMPAQUE DE ARRANQUE	2	2		
31	6J8-14959-00	.GASKET EMPAQUE	1	1		
32	61U-14959-00	.GASKET EMPAQUE	2	2		
<hr/>						
<hr/>						
<hr/>						
<hr/>						
<hr/>						
<hr/>						
<hr/>						
<hr/>						

FIG. 30 REPAIR KIT 2

ESTUCHE REPARATION 2



REF. NO.	PART NO. CODIGO NO.	DESCRIPTION DESCRIPTION	U	U		REMARKS OBSERVACION
1	6E5-W0001-F1	LOWER UNIT GASKET KIT JUEGO DE EMPAQUE UNIDAD INFER	1	1		115B
2	6E5-41134-A0	.GASKET, EXHAUST MANIFOLD EMPAQUE	1	1		
3	6G5-45114-A1	.GASKET, UPPER CASING EMPAQUE	1	1		
4	6E5-45123-00	.GASKET, MUFFLER EMPAQUE SILENCIADOR	1	1		
5	6E5-41135-A0	.GASKET, EXHAUST MANIFOLD EMPAQUE	1	1		
6	6E5-44365-00	.DAMPER, WATER SEAL .HULE DE SELLO DE AGUA	1	1		
7	6E5-44366-00	.DAMPER, WATER SEAL .GOMA DEL SELLO DE AGUA	1	1		
8	90430-08020	.GASKET .JUNTA	2	2		
9	93210-58144	.O-RING .JUNTA TORICA	1	1		
10	93106-09014	.OIL SEAL .RETEN DE ACEITE	1	1		
11	93210-86M38	.O-RING .JUNTA TORICA	1	1		
12	93210-37160	.O-RING .JUNTA TORICA	1	1		
13	6E5-44315-A0	.GASKET, WATER PUMP EMPAQUE	1	1		
14	93101-28M16	.OIL SEAL .RETEN DE ACEITE	2	2		
15	93210-55M14	.O-RING .JUNTA TORICA	1	1		
16	93210-86M39	.O-RING .JUNTA TORICA	1	1		
17	93101-30M17	.OIL SEAL .RETEN DE ACEITE	2	2		
18	6F3-W0001-21	LOWER UNIT GASKET KIT JUEGO DE EMPAQUE	1			140B
19	6G5-41134-A1	.GASKET, EXHAUST MANIFOLD EMPAQUE	1			
20	6G5-45114-A1	.GASKET, UPPER CASING EMPAQUE	1			
21	6E5-41135-A0	.GASKET, EXHAUST MANIFOLD EMPAQUE	1			
22	90430-08020	.GASKET .JUNTA	2			
23	6E5-45123-00	.GASKET, MUFFLER EMPAQUE SILENCIADOR	1			
24	6E5-44365-00	.DAMPER, WATER SEAL .HULE DE SELLO DE AGUA	1			
25	6E5-44366-00	.DAMPER, WATER SEAL .GOMA DEL SELLO DE AGUA	1			
26	93210-58144	.O-RING .JUNTA TORICA	1			
27	93106-09014	.OIL SEAL .RETEN DE ACEITE	1			

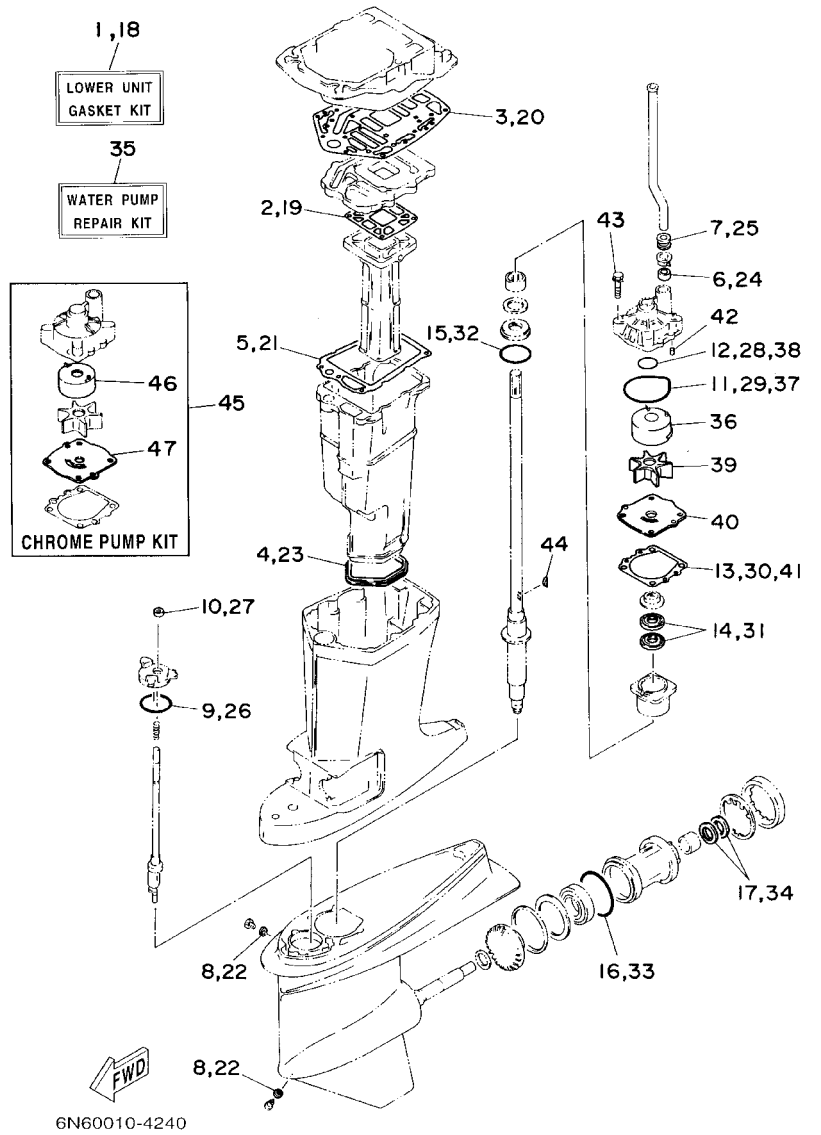


FIG. 30 REPAIR KIT 2

ESTUCHE REPARATION 2

REF. NO.	PART NO. CODIGO NO.	DESCRIPTION DESCRIPTION	E	ET		REMARKS OBSERVACION
28	93210-37160	.O-RING .JUNTA TORICA		1		
29	93210-86M38	.O-RING .JUNTA TORICA		1		
30	6E5-44315-A0	.GASKET, WATER PUMP .EMPAQUE		1		
31	93101-28M16	.OIL SEAL .RETEN DE ACEITE		2		
32	93210-55M14	.O-RING .JUNTA TORICA		1		
33	93210-86M39	.O-RING .JUNTA TORICA		1		
34	93101-30M17	.OIL SEAL .RETEN DE ACEITE		2		
35	6N6-W0078-02	WATER PUMP REPAIR KIT ESTUCHE REPARACION BOMBA AGUA	1	1		
36	61A-44322-02	.INSERT, CARTRIDGE .CARTUCHO	1	1		
37	93210-86M38	.O-RING .JUNTA TORICA	1	1		
38	93210-37160	.O-RING .JUNTA TORICA	1	1		
39	6E5-44352-01	.IMPELLER .IMPULSOR	1	1		
40	6E5-44323-00	.OUTER PLATE, CARTRIDGE .PLACA EXTERIOR DEL CARTUCHO	1	1		
41	6E5-44315-A0	.GASKET, WATER PUMP .EMPAQUE	1	1		
42	93606-12019	.PIN, DOWEL .PASADOR DE CLAVIJA	2	2		
43	90119-08M14	.BOLT, WITH WASHER .TORNILLO CON ARANDELA	4	4		
44	90280-04M05	.KEY, WOODRUFF .CUNA WOODRUFF	1	1		
45	6E5-W0078-3A	CHROME PUMP KIT ESTUCHE REPARACION BOMBA AGUA	1	1		
46	6R3-44322-42	.INSERT, CARTRIDGE .CARTUCHO	1	1		
47	6E5-44323-40	.OUTER PLATE, CARTRIDGE .PLACA EXTERIOR DEL CARTUCHO	1	1		

NUMERICAL INDEX
INDICE NUMERICO

PART NO. CODIGO NO.	REF. NO.	PART NO. CODIGO NO.	REF. NO.	PART NO. CODIGO NO.	REF. NO.	PART NO. CODIGO NO.	REF. NO.	PART NO. CODIGO NO.	REF. NO.	PART NO. CODIGO NO.	REF. NO.
6E5-W0001-F1	30 - 1	6R5-11650-10	3 - 22	6E5-14416-A1	29 - 2	6E5-24351-50	24 - 14	6E5-41217-01	5 - 20	6E5-42762-00-1S	2 - 21
6F3-W0001-A5	29 - 1	6E5-12411-30	4 - 7	6E5-14417-10-94	5 - 25	6Y2-24360-02	24 - 16	662-41237-01	13 - 25	6E5-42769-00	21 - 5
6F3-W0001-21	30 - 18	6G5-12413-00-1S	4 - 8	6E5-14418-00	5 - 33	6E5-24367-01	12 - 30		13 - 31	6E5-42771-01-4D	12 - 27
6E5-W0004-00	5 - 2	688-12414-A1	4 - 9	6E5-14483-A1	5 - 30	6E5-24367-10	12 - 33	6E5-41256-01	5 - 21	6G5-42791-00	12 - 42
6N7-W0070-30	1 - 20		29 - 8		29 - 3	6E5-24376-10	7 - 43	661-41262-02	5 - 22	6G5-42791-10	12 - 42
6E5-W0078-3A	30 - 45	6G5-12416-00	4 - 19	6E5-14485-00	5 - 27	650-24378-00	4 - 15	6E5-41271-02	5 - 23	6K7-42791-00	12 - 42
6N6-W0078-02	30 - 35	6E5-12576-00	4 - 25	624-14485-00	5 - 7	6E5-24410-03	7 - 24	689-41273-00	5 - 24	6L1-42791-00	12 - 42
6E5-W0090-55-1S	2 - 1	6G5-12581-00	21 - 12	6E5-14488-00	8 - 21	6E5-24411-00	7 - 29	688-41611-00	8 - 9	6R3-42791-41	21 - 2
6F3-W0090-66-1S	2 - 1	6E5-13610-00	5 - 1	6E5-14488-00	8 - 21	6E5-24412-10	7 - 36	688-41612-00	8 - 10	6R3-42792-41	21 - 3
6E5-W0093-09	29 - 21	6E5-13621-A1	5 - 3	6E5-14527-01	6 - 23	6E5-24413-00	7 - 26	6E5-41631-01-1S	13 - 10	688-42815-01-4D	12 - 3
656-W2810-02	7 - 49		29 - 16	6E5-14546-00	6 - 6	6A0-24421-01	7 - 33	6E5-41632-02-1S	13 - 6	6E5-42816-01	12 - 10
6E5-W4271-05-4D	12 - 1	6E5-13641-03-1S	5 - 6		29 - 24	6E5-24423-00	7 - 31	6E5-41636-01	13 - 23	6G5-42816-00	12 - 9
6E5-11111-10-1S	4 - 1	6E5-13645-A1	5 - 13	6E5-14711-01-5B	21 - 28	648-24424-00	7 - 30	688-41636-00	13 - 29	688-42816-00	12 - 4
6L1-11111-00-1S	4 - 1		29 - 17	6E5-14717-00	21 - 29	650-24431-A0	7 - 37	6E5-42510-05-8D	15 - 1	6E5-42817-01-4D	12 - 8
6E5-11119-01	2 - 18	6E5-14159-00	6 - 7	64D-1492E-88	6 - 12		29 - 20		18 - 10	6E5-43111-04-8D	14 - 1
6E5-11181-A1	4 - 2		29 - 22	64D-1492E-9H	6 - 12	6E5-24434-02	7 - 32	6E5-42510-25-8D	18 - 10	64E-43111-02-8D	17 - 1
	29 - 6	6E5-14198-A2	5 - 18	64D-1492E-90	6 - 12	6E5-24435-00	7 - 28	624-42542-00	8 - 19	6E5-43112-04-8D	14 - 6
6E5-11191-01-1S	4 - 4		29 - 4	6E5-1492F-44	6 - 9	6E5-24444-00	7 - 25		9 - 3	64E-43112-02-8D	17 - 9
6E5-11193-A0	4 - 5		29 - 23	64D-1492F-39	6 - 9	61A-24469-00	7 - 11	6E5-42610-80-4D	1 - 1	6E5-43124-00	16 - 4
	29 - 7	6E5-14223-00	6 - 21	64D-1492F-41	6 - 9	6E5-24471-00	7 - 27	6F3-42610-40-4D	1 - 1	6E5-43126-02	14 - 36
6R3-1131M-01	2 - 14	6E5-14301-16	6 - 1	61A-1492H-12	6 - 14	61A-24521-00	7 - 6	6E5-42613-01-4D	1 - 15	64E-43126-00	17 - 37
6E5-11325-00	2 - 12	6E5-14301-41	6 - 1	6J8-14959-00	6 - 26	65L-24531-01	7 - 7	6E5-42615-00	1 - 14	6E5-43128-00-8D	16 - 2
6E5-11370-01	5 - 8	6L1-14301-04	6 - 1		29 - 31	65L-24558-00	7 - 12	6E5-42617-00	1 - 11	6R3-43131-00	14 - 14
6E5-11371-00-1S	2 - 24	6E5-14302-16	6 - 2	61U-14959-00	6 - 10	61A-24560-04	7 - 5	6E5-42619-00	1 - 12	64E-43131-01	17 - 15
6E5-11372-01	2 - 5	6E5-14302-41	6 - 2		29 - 32	61A-24563-00	7 - 10	6E5-42627-00	1 - 13	64E-43139-02	18 - 1
6G5-11372-00-1S	4 - 23	6L1-14302-04	6 - 2	6E5-14979-00	6 - 19	61A-24564-00	7 - 8	6E5-42647-00-94	1 - 2	6G5-43144-00	14 - 26
624-11379-00	2 - 3	6E5-14321-00	6 - 16		29 - 30	61U-24566-01	7 - 16	6E5-42649-01-94	1 - 3		17 - 27
6E5-11381-A2	2 - 25	6E5-14323-03	6 - 20	6N6-15100-01-1S	2 - 2	61A-24577-01	7 - 9	6E5-42652-00	1 - 7	6E5-43145-01	25 - 8
	29 - 5	6E5-14324-00	6 - 25	6N7-15100-01-1S	2 - 2	6YJ-24610-01	24 - 2	688-42652-00	1 - 8	6G5-43148-00	14 - 31
6G5-11382-A1	4 - 22	6A0-14325-00	7 - 34	6E5-15163-00-1S	3 - 3	6E5-41111-00-1S	4 - 11	663-42662-00	1 - 4		17 - 32
6R3-11397-01	2 - 15	6E5-14328-01	6 - 18	6G5-15359-00-94	3 - 11	6L1-41111-00-1S	4 - 11	6E5-4267A-31	1 - 21	6E5-43160-00	14 - 18
6N7-11411-01	3 - 1		29 - 29	6YJ-24167-00	24 - 7	6E5-41112-A1	4 - 12	6E5-42677-40	1 - 18	688-43165-00	14 - 19
6E5-11447-00	3 - 2	6J8-14334-00	6 - 17	6YJ-24201-00	24 - 1		4 - 13	6F3-42677-40	1 - 18	6E5-43170-00-4D	16 - 1
663-11518-01	2 - 4	64D-14381-00	6 - 4	6YJ-24201-10	24 - 1		29 - 9	6E5-42678-31	1 - 19	6G5-43181-02	17 - 29
64D-11603-01	3 - 17	61A-14383-01	6 - 15	6YJ-24260-00	24 - 3		29 - 10	6F3-42678-31	1 - 19	61U-43181-00	14 - 28
	3 - 19	64D-14384-01	6 - 3	6Y1-24260-12	24 - 3	6N7-41113-00-1S	4 - 14	6N7-42678-30	1 - 22	688-43184-00	16 - 28
64D-11604-01	3 - 17		29 - 18	6Y1-24268-00	24 - 6	6G5-41131-01-5B	21 - 20	6N7-42681-30	1 - 23	6G5-43185-02	17 - 30
	3 - 19	6E5-14385-02	6 - 5	6E5-24304-10	7 - 1	6E5-41132-10-5B	21 - 24	6N7-42682-30	1 - 24	61U-43185-00	14 - 29
6R5-11631-11-93	3 - 16	6E5-14386-02	6 - 8	6Y2-24306-07	24 - 8	6L1-41132-00-5B	21 - 24	648-42715-00	13 - 49	6E5-43311-A2-8D	14 - 22
6R5-11633-10	3 - 20		29 - 25	6E5-24312-00	4 - 16	6E5-41134-A0	21 - 25	6E5-42716-00	12 - 36	64E-43311-10-8D	17 - 22
6R5-11634-10	3 - 21	64D-14394-00	6 - 11	61U-24313-00	7 - 3		30 - 2	6E5-42724-00	21 - 11	64E-43311-20-8D	17 - 22
6R5-11635-11	3 - 16		29 - 26	61U-24314-00	7 - 21	6G5-41134-A1	21 - 25	6E5-42725-00	12 - 15	6E5-43317-00	16 - 24
6R5-11636-11	3 - 16	647-14395-60	5 - 29	6G5-24316-10	7 - 40	6E5-41135-A0	21 - 32	6H4-42726-00	12 - 24	61A-43376-00	18 - 8
6R5-11642-11-93	3 - 18	6E5-14398-00	6 - 13	6G5-24318-10	7 - 44		30 - 5	688-42726-10	12 - 24	6E5-43613-00	16 - 6
6R5-11645-11	3 - 18		29 - 28	6G5-24319-10	7 - 45		30 - 21	6E5-42738-01-5B	12 - 16	6E5-43614-00	16 - 7
6R5-11646-11	3 - 18	6E5-1441K-00	5 - 34	6Y1-24329-00	24 - 5	6G5-41137-02-94	21 - 10	6E5-42741-01-4D	12 - 26	6E5-43615-00	16 - 8
		6E5-14416-A1	5 - 35			6E5-41213-00	13 - 32	6H4-42748-00	12 - 2	6E5-43616-00	16 - 26
								6E5-42761-00-1S	2 - 20	6E5-43630-01	16 - 18

NUMERICAL INDEX
INDICE NUMERICO

PART NO. CODIGO NO.	REF. NO.	PART NO. CODIGO NO.	REF. NO.	PART NO. CODIGO NO.	REF. NO.	PART NO. CODIGO NO.	REF. NO.	PART NO. CODIGO NO.	REF. NO.	PART NO. CODIGO NO.	REF. NO.
61U-43631-00	16 - 22	64E-43867-00	19 - 8	6E5-44365-00	23 - 19	6E5-45318-00	21 - 35	688-45930-02-98	23 - 26	703-48243-00	27 - 15
6E5-43659-00	16 - 13	64E-43868-00	20 - 3		30 - 6	6E5-45321-00	22 - 13	688-45932-60-98	23 - 26	703-48244-00	27 - 21
6E5-43676-00	16 - 30	64E-43869-00	19 - 26		30 - 24	6E5-45331-00-94	22 - 34	6E5-45941-00-EL	23 - 26	703-48245-00	27 - 11
6E5-43679-00	16 - 16	64E-4387A-00	20 - 23	6E5-44366-00	23 - 1	6E5-45332-00-94	22 - 58	6E5-45943-00-EL	23 - 26	703-48246-00	27 - 23
64E-4380F-00	20 - 33	6E5-43872-00	19 - 12		30 - 7	688-45341-10	22 - 7	6E5-45945-01-EL	23 - 26	701-48248-00	27 - 13
64E-4380J-00	20 - 30	64E-43873-00	20 - 24		30 - 25	6E5-45344-00	22 - 40	6E5-45947-00-EL	23 - 26	703-48252-00	27 - 12
64E-43800-02-4D	19 - 1	6E5-43874-01	19 - 21	6E5-44391-00	12 - 14	6E5-45371-01	23 - 14	6E5-45949-00-EL	23 - 26	703-48261-01	27 - 2
64E-43802-00	20 - 8	64E-43875-00	20 - 25	6E5-44511-00-5B	15 - 30	6E5-45371-10	23 - 28	6E5-45952-00-EL	23 - 26	703-48264-00	27 - 6
64E-43805-00	20 - 37	64E-43879-00	20 - 27		18 - 38	688-45375-00	23 - 9	6E5-45954-00-EL	23 - 26	703-48265-00	27 - 9
64E-4381G-00	19 - 27	64E-43879-10	20 - 26	6E5-44514-00-94	15 - 23	663-45376-00-94	23 - 8	6E5-45956-00-EL	23 - 26	703-48268-00	27 - 5
64E-43810-00	19 - 6	64E-4388E-00	19 - 25		18 - 31	6E5-45378-00	22 - 10	6E5-45970-10	23 - 27	703-48271-00	27 - 60
6E5-43814-02	19 - 13	64E-4388E-10	20 - 1	6G5-44526-00	14 - 3	688-45383-02	22 - 68	688-45970-03-98	23 - 26	703-48281-00	27 - 31
64E-43816-00	20 - 17	64E-4388J-00	19 - 3		17 - 3	688-45384-00	22 - 69	6E5-45972-10	23 - 27	703-48282-00	27 - 32
64E-43817-00	19 - 5	64E-43880-01	20 - 28	68F-44533-00	2 - 22	6E5-45501-01	22 - 43	688-45972-02-98	23 - 26	703-48284-00	27 - 52
64E-43817-10	20 - 19	64E-43883-00	19 - 11	6G5-44551-01-8D	15 - 5	6E5-45501-21	22 - 43	6E5-45974-10	23 - 27	701-48287-00	27 - 42
64E-43818-01	19 - 32	64E-43891-00	20 - 31		18 - 13	61A-45527-00	22 - 23	688-45974-02-98	23 - 26	703-48291-10	27 - 39
64E-4382G-00	19 - 29	64E-43892-00	20 - 34	6E5-44552-01-94	15 - 16	6E5-45536-00	22 - 9	6E5-45976-10	23 - 27	703-48293-10	27 - 41
64E-43820-00	19 - 15	6E5-43896-00	20 - 9		18 - 24	61A-45538-00	22 - 20	688-45976-01-98	23 - 26	701-48320-40	26 - 2
64E-43821-00	19 - 16	64E-43897-00	19 - 24	6E5-44553-01-8D	15 - 19	6E5-45551-02	22 - 44	6E5-45978-10	23 - 27	701-48320-50	26 - 2
64E-43822-00	19 - 17	64E-43898-00	19 - 7		18 - 27	6E5-45560-01	22 - 46	688-45978-60-98	23 - 26	701-48320-80	26 - 2
64E-43825-01	19 - 2	6E5-44117-00-1S	13 - 36	6E5-44555-00-94	15 - 8	6E5-45567-01-10	22 - 5	6E5-45987-01	23 - 21	6E5-48344-00	13 - 7
64E-43827-00	20 - 22	6E5-44118-01-94	13 - 44		18 - 16	6E5-45567-01-12	22 - 5	6E5-45994-10	23 - 29		13 - 42
64E-43828-00	19 - 22	6E5-44120-03	13 - 51	6E5-44575-00	15 - 7	6E5-45567-01-15	22 - 5	688-45997-01	23 - 22	703-48345-01	27 - 19
64E-43829-00	19 - 23	6E5-44120-23	13 - 51		18 - 15	6E5-45567-01-18	22 - 5	703-48152-00	27 - 57	703-48358-00	27 - 20
64E-43830-00	20 - 4	68F-44121-00	13 - 38	663-44575-00	15 - 29	6E5-45567-01-30	22 - 5	703-48153-00	27 - 3	6E5-48531-00	13 - 1
64E-43831-00	20 - 2	6E5-44122-00	13 - 39		18 - 37	6E5-45567-01-40	22 - 5	703-48189-00	27 - 17	6E5-48538-00	13 - 2
64E-4384J-00	19 - 18	6E5-44150-02	22 - 17	6E5-45111-02-8D	21 - 1	6E5-45567-01-50	22 - 5	703-48198-00	27 - 14	6E5-61350-02	25 - 1
64E-43841-00	20 - 7	688-44194-00	13 - 14	6E5-45111-23-8D	21 - 1	6E5-45571-01	22 - 60	703-48201-16	26 - 1	6E5-61351-01	25 - 2
64E-43843-00	20 - 6		13 - 28	6G5-45113-A1	21 - 14	6E5-45576-00	22 - 61		27 - 1	6E5-61355-00	25 - 5
64E-43843-10	20 - 38	61A-44311-01	22 - 24		29 - 19	6L6-45577-00-10	22 - 65	703-48205-17	26 - 1	6E5-81332-00	8 - 13
64E-43850-00	20 - 15	6E5-44312-00	23 - 20	6G5-45114-A1	21 - 21	6L6-45577-00-12	22 - 65		27 - 1	6E5-81337-01	8 - 16
64E-43851-00	20 - 11	6E5-44315-A0	22 - 31		30 - 3	6L6-45577-00-15	22 - 65	703-48211-01	27 - 61	6N7-81800-10	11 - 1
64E-43855-00	20 - 14		30 - 13		30 - 20	6L6-45577-00-18	22 - 65	703-48212-00	27 - 58	6N7-81801-00	11 - 8
6E5-43858-00	19 - 28		30 - 30	663-45119-00	14 - 13	6L6-45577-00-30	22 - 65	703-48213-00	27 - 59	6N7-81807-00	11 - 11
64E-43858-00	20 - 12		30 - 41		14 - 24	6L6-45577-00-40	22 - 65	703-48215-00	27 - 43	61A-81809-00	11 - 3
	20 - 18	6R3-44322-42	22 - 25		17 - 14	6L6-45577-00-50	22 - 65	703-48219-00	27 - 30	6N7-81810-00	11 - 5
	20 - 5		30 - 46		17 - 25	6E5-45587-01-10	22 - 37	703-48221-00	27 - 56	6N7-81813-00	11 - 9
72X-43858-00	20 - 5		30 - 46	6E5-45123-00	21 - 31	6E5-45587-01-12	22 - 37	703-48222-00	27 - 27	6E5-8182A-10	11 - 17
64E-43859-00	20 - 13	61A-44322-02	22 - 25		30 - 4	6E5-45587-01-15	22 - 37	703-48223-00	27 - 28	6E5-8182E-10	11 - 15
6H1-4386K-10	20 - 29		30 - 36		30 - 23	6E5-45587-01-18	22 - 37	703-48224-00	27 - 55	6E5-8182F-10	11 - 16
64E-43860-00	20 - 20	6E5-44323-00	22 - 30		21 - 4	6E5-45587-01-30	22 - 37	703-48225-00	27 - 29	6K7-8182G-10	11 - 6
6E5-43862-00	19 - 10		30 - 40	6E5-45155-00	21 - 4	6E5-45587-01-40	22 - 37	703-48226-00	27 - 26	6E5-8182K-10	11 - 18
	19 - 14	6E5-44323-40	22 - 30	688-45214-02	23 - 10	6E5-45587-01-50	22 - 37	703-48227-00	27 - 24	6N7-81820-10	11 - 10
6G5-43863-00	20 - 10		30 - 47	688-45215-02	23 - 11	6E5-45587-01-50	22 - 37	703-48227-00	27 - 24	6N7-81820-10	11 - 10
6E5-43864-00	19 - 20	6E5-44352-01	22 - 28	6G5-45251-02	14 - 2	6E5-45611-01	22 - 48	703-48232-00	27 - 62	6E5-81822-02-98	11 - 19
6G5-43864-00	19 - 19		30 - 39		17 - 2	6E5-45631-01	22 - 56	703-48234-00	27 - 18	61A-81824-00	11 - 4
6G5-43865-00	20 - 35	6E5-44361-00	23 - 2	6E5-45300-17-8D	22 - 1	6E5-45633-01	22 - 57	703-48235-00	27 - 4	6K7-81826-10	11 - 14
64E-43865-00	20 - 16	6E5-44361-20	23 - 2	6E5-45300-27-8D	22 - 1	6E5-45634-01	22 - 50	703-48236-00	27 - 16	6N7-81830-00	11 - 13
64E-43866-00	19 - 9	6E5-44365-00	23 - 3	6E5-45301-05-8D	22 - 2	6E5-45641-02	22 - 49	703-48238-00	27 - 22	6N7-81840-00	11 - 7

NUMERICAL INDEX
INDICE NUMERICO

PART NO. CODIGO NO.	REF. NO.	PART NO. CODIGO NO.	REF. NO.	PART NO. CODIGO NO.	REF. NO.	PART NO. CODIGO NO.	REF. NO.	PART NO. CODIGO NO.	REF. NO.	PART NO. CODIGO NO.	REF. NO.
6N7-81850-10	11 - 2	6E5-82594-00	12 - 41	90119-06MA3	5 - 14	90201-08M54	12 - 21	90340-14M00	2 - 6	90465-11M10	7 - 23
6N7-81857-00	11 - 12	688-82594-00	12 - 40	90119-06MA4	4 - 6	90201-10M20	25 - 7	90386-06M12	13 - 43		7 - 41
61A-81941-00	10 - 6	703-82594-00	27 - 25	90119-06MA5	4 - 18	90201-12M05	14 - 41	90386-08032	16 - 19		7 - 42
6E5-81948-10	10 - 13	703-83383-02	27 - 51	90119-06MA6	4 - 10		17 - 42	90386-10M16	14 - 30		7 - 46
6E5-81948-22	10 - 13	6Y5-83514-00	28 - 5	90119-06M09	12 - 7	90201-13M01	14 - 40		17 - 31		7 - 47
6E5-8195A-00	10 - 9	6Y5-83517-00	28 - 2		12 - 13		17 - 41	90386-12089	13 - 17		17 - 21
6E5-81950-00	10 - 8	6Y5-83518-00	28 - 9	90119-06M10	22 - 16	90201-14M56	15 - 26	90386-13M38	12 - 5		18 - 5
689-81952-10	10 - 7	6Y5-83523-00	28 - 4	90119-06M31	5 - 36		18 - 34		12 - 11		23 - 18
6H0-81960-00	9 - 13	6Y5-83536-00	28 - 10	90119-06M59	9 - 4	90201-15M58	15 - 13	90386-16M66	13 - 53	90465-12M25	10 - 38
6E5-81961-00	9 - 18	6Y5-83536-10	28 - 3	90119-06M65	8 - 20		18 - 21	90386-18M44	14 - 37	90465-13M18	4 - 26
6E5-82105-12	10 - 27	6Y5-83540-14	28 - 1	90119-08MA3	2 - 19	90201-16M55	15 - 10		16 - 5		10 - 17
6E5-82116-00	10 - 12	6Y5-83544-00	28 - 11	90119-08MA8	4 - 3		18 - 18	90386-22M13	13 - 19	90467-08004	4 - 17
6E5-82117-01	10 - 28	6Y5-83553-00	28 - 13	90119-08M14	22 - 33	90201-21M18	8 - 5	90386-22M98	17 - 38	90468-18008	13 - 41
6Y5-82117-00	28 - 15	6N7-83557-00	10 - 16		30 - 43	90201-22M01	22 - 21		19 - 33	90480-10M36	12 - 25
6G5-82119-00	10 - 11	6E5-83558-00	23 - 17	90119-08M22	12 - 23	90201-23M01	3 - 25	90386-25M31	14 - 15	90480-20M05	4 - 21
6E5-82147-00	14 - 25	6E5-83558-10	22 - 12	90119-08M57	11 - 22	90201-26M57	15 - 24		17 - 18	90480-22M15	12 - 19
	17 - 26	688-83664-00	28 - 12	90119-08M76	11 - 20		18 - 32	90386-38M32	15 - 4	90501-11M10	22 - 19
6E5-82147-20	17 - 26	6Y5-83670-12	28 - 8	90119-08M77	11 - 21	90201-26M59	14 - 16		18 - 12	90501-12082	13 - 48
6E5-82148-00	14 - 7	64E-83672-02	18 - 3	90119-08M79	21 - 15		17 - 19	90387-06M29	13 - 33	90501-16M11	4 - 20
	17 - 6	72X-85075-L0	20 - 21	90119-08M94	2 - 10	90201-30M92	22 - 66	90387-06M77	9 - 16	90501-16M12	13 - 12
	17 - 10	6E5-85510-01	8 - 2	90119-08027	21 - 9	90201-38M60	15 - 3	90387-08M16	13 - 18	90501-16M28	15 - 20
6E5-82149-00	15 - 11	6N7-85537-00	9 - 11	90119-10M89	23 - 7		18 - 11	90387-08M37	12 - 20		18 - 28
	18 - 19	6E5-85540-00	9 - 7	90152-05M00	16 - 25	90202-08M08	16 - 20	90387-10M05	14 - 33	90501-16M37	22 - 51
1E6-82151-00	28 - 14	6N7-85542-01-1S	9 - 1	90152-05M07	23 - 12	90202-08M20	13 - 40		17 - 34	90502-20M03	14 - 21
663-82151-00	10 - 26	6E5-85550-00	8 - 1	90157-06M01	12 - 31	90202-12092	13 - 20	90387-10M61	25 - 3	90506-09M09	16 - 27
6G5-82152-00	10 - 1	6R3-85570-01	10 - 2		12 - 34	90202-16061	13 - 54	90430-08020	22 - 8	90506-14M24	14 - 35
6A0-82317-00	8 - 18	6E5-85580-00	8 - 3	90157-06013	13 - 11	90202-26M18	15 - 25		30 - 8		17 - 36
	9 - 2	6E5-86110-02	10 - 18		13 - 26		18 - 33		30 - 22	90506-23M10	16 - 12
6G5-82317-00	8 - 17	6E5-86116-01	10 - 19	90159-06M11	9 - 12	90202-32M19	15 - 9	90430-14115	2 - 7	90508-29M12	13 - 22
663-82370-01	10 - 5	6G5-87149-10	10 - 10	90170-16M01	22 - 45		18 - 17	90445-07ME8	22 - 11	90560-12M01	25 - 4
703-82510-43	27 - 44	90101-12M03	14 - 39	90170-20137	8 - 6	90202-40M47	18 - 7	90445-07ME9	22 - 11	91490-25012	16 - 11
6R3-82519-00	10 - 29		17 - 40	90171-18M04	23 - 24	90206-10M04	13 - 34	90445-07MF0	23 - 16		16 - 15
662-82519-00	10 - 35	90105-10M00	23 - 15	90179-06M28	5 - 19	90206-13M10	12 - 6	90445-07M23	5 - 28	91490-30025	16 - 29
6E5-82531-10	10 - 32	90105-10M20	2 - 9	90179-06066	15 - 22		12 - 12	90445-07M24	5 - 10	91490-40030	23 - 25
703-82531-00	27 - 46	90109-06M07	16 - 3		18 - 30	90206-22M19	22 - 22	90445-07M28	5 - 9	91609-30010	10 - 20
703-82540-00	27 - 50	90109-08022	3 - 23	90183-05M02	21 - 30	90240-06M07	16 - 9	90445-07M46	5 - 11	91690-30012	13 - 3
703-82542-00	27 - 63	90109-12M37	15 - 27	90185-05002	23 - 13	90249-06M19	14 - 32	90445-13M00	24 - 15	91690-30014	14 - 20
6R3-82553-70	28 - 16		18 - 35	90185-06M07	13 - 9		17 - 33	90445-13M01	24 - 13	91690-30020	14 - 34
682-82556-00	27 - 48	90109-14M34	15 - 12	90185-09M01	25 - 6	90250-08M07	22 - 55	90446-15M07	7 - 48		17 - 35
688-82560-10	10 - 24		18 - 20	90185-12M12	15 - 28	90254-03003	16 - 23	90464-12M00	8 - 12	92903-06600	2 - 17
703-82563-02	27 - 55	90116-06M30	5 - 12		18 - 36	90266-06M02	1 - 6	90465-05M87	10 - 39		5 - 32
688-82575-01	27 - 47	90116-08M45	2 - 11	90185-22M11	14 - 17	90266-06009	1 - 5	90465-06M86	2 - 27		8 - 8
703-82577-00	27 - 45	90119-06MA2	2 - 23		17 - 20	90280-04M05	22 - 29		5 - 15		9 - 15
688-8258A-20	27 - 49		2 - 26	90201-06M05	9 - 17		30 - 44		9 - 19	92903-08600	13 - 46
6E5-82588-00	12 - 37		3 - 7	90201-06068	7 - 15	90280-05015	8 - 4	90465-08M63	17 - 23	92990-05100	28 - 7
6E5-82590-04	10 - 25		3 - 15	90201-08M13	13 - 21	90282-04010	22 - 67	90465-08M89	10 - 40	92990-05600	5 - 5
703-82591-00	27 - 53		4 - 24	90201-08M14	19 - 30	90338-05M03	12 - 33	90465-11M10	7 - 4	92990-06100	9 - 9
703-82592-00	27 - 54		13 - 37	90201-08M23	13 - 16	90340-08002	22 - 6		7 - 22	92990-06200	13 - 8

NUMERICAL INDEX
INDICE NUMERICO

PART NO. CODIGO NO.	REF. NO.	PART NO. CODIGO NO.	REF. NO.	PART NO. CODIGO NO.	REF. NO.	PART NO. CODIGO NO.	REF. NO.	PART NO. CODIGO NO.	REF. NO.	PART NO. CODIGO NO.	REF. NO.
92990-06600	9 - 10	92995-10100	23 - 6	93306-208U0	3 - 9	95380-12600	14 - 42	97095-08045	21 - 33		
	12 - 32	92995-14600	15 - 15		22 - 59		17 - 43	97095-10045	14 - 10		
	12 - 35		18 - 23	93310-323V6	3 - 24	95380-14800	15 - 14		15 - 17		
	14 - 9	93101-22M15	3 - 13	93310-836U0	3 - 26		18 - 22		15 - 31		
	16 - 10		29 - 14	93310-954U1	3 - 8	95780-10300	18 - 9		18 - 25		
	17 - 12	93101-28M16	22 - 35	93311-940U3	3 - 4	97013-06016	2 - 16		18 - 39		
92990-08600	11 - 23		30 - 14	93315-425U7	22 - 47	97013-06020	5 - 31	97380-05025	27 - 8		
	27 - 34		30 - 31	93315-430U8	22 - 62	97013-06045	9 - 14	97380-08030	27 - 33		
92990-18200	23 - 23	93101-30M17	22 - 63	93315-628U9	22 - 3	97013-06060	8 - 7	97607-04310	20 - 32		
92995-06100	7 - 14		30 - 17	93317-330U2	22 - 36	97013-08030	13 - 45	97780-60525	18 - 2		
	14 - 5		30 - 34	93332-000U7	22 - 4	97013-08045	13 - 15	97880-05025	5 - 4		
	17 - 5	93102-08M43	20 - 36	93341-930V2	22 - 38	97075-08035	12 - 22	97880-06012	14 - 8		
92995-06600	1 - 10	93102-35M13	3 - 12	93410-16006	13 - 55	97075-10045	23 - 5		17 - 11		
	1 - 17		29 - 13	93410-18M02	14 - 38	97080-08016	19 - 31	97880-06018	8 - 11		
	5 - 17	93102-40M14	3 - 5	93410-22M11	17 - 39	97095-06010	14 - 27	97880-06040	9 - 8		
	7 - 18		29 - 11	93410-37M04	15 - 6		17 - 7	97885-06010	8 - 14		
	7 - 20	93106-09014	22 - 15		18 - 14		17 - 28	97885-06016	15 - 21		
	7 - 39		30 - 10	93410-40M03	3 - 10		21 - 6		18 - 4		
	8 - 15		30 - 27	93420-36M01	21 - 36	97095-06012	5 - 16		18 - 29		
	9 - 6	93109-38M02	15 - 2	93430-06024	27 - 10		9 - 5	97980-05108	6 - 24		
	9 - 21	93210-03261	10 - 23	93501-04M02	13 - 47		9 - 20	97980-05116	6 - 22		
	10 - 4	93210-08287	24 - 10	93503-16003	22 - 54		10 - 30	98580-03015	27 - 38		
	10 - 15		24 - 12	93507-32009	22 - 52		10 - 33	98580-04006	27 - 36		
	10 - 22	93210-09165	13 - 52	93511-32017	22 - 53		10 - 36	98580-04010	27 - 35		
	10 - 31	93210-10M74	19 - 4	93606-12019	22 - 32	97095-06014	7 - 17	98580-05010	27 - 37		
	10 - 34	93210-16275	25 - 9		30 - 42	97095-06016	1 - 9	98586-05016	24 - 4		
	10 - 37	93210-37MH7	18 - 6	93608-12M05	21 - 8		1 - 16	98780-04015	2 - 13		
	12 - 18	93210-37160	22 - 27		21 - 13		7 - 13	99001-08600	22 - 18		
	12 - 29		30 - 12		23 - 4		7 - 19				
	12 - 39		30 - 28	93608-12063	2 - 8		10 - 14				
	17 - 8		30 - 38	93700-06M03	13 - 50		10 - 21				
	21 - 7	93210-55M14	22 - 39		14 - 12		12 - 17				
92995-08100	13 - 5		30 - 15		14 - 23		16 - 17				
	17 - 17		30 - 32		17 - 13	97095-06020	10 - 3				
	21 - 17	93210-58144	22 - 14		17 - 24		12 - 28				
	21 - 19		30 - 9	94702-00160	4 - 27		12 - 38				
92995-08600	11 - 25		30 - 26	94702-00247	4 - 27	97095-06025	13 - 35				
	16 - 14	93210-74M35	3 - 14	94702-00309	4 - 27	97095-06028	7 - 2				
	16 - 21		29 - 15	94702-00317	4 - 27	97095-06030	14 - 4				
	21 - 23	93210-86M38	22 - 26	95303-06600	13 - 13		17 - 4				
	21 - 27		30 - 11		13 - 27	97095-06050	7 - 38				
	21 - 34		30 - 29	95380-03600	7 - 35	97095-08016	11 - 24				
	22 - 42		30 - 37	95380-05600	13 - 24	97095-08020	13 - 4				
92995-10100	14 - 11	93210-86M39	22 - 64		13 - 30		17 - 16				
	15 - 18		30 - 16		27 - 7	97095-08025	22 - 41				
	15 - 32		30 - 33		28 - 6	97095-08030	21 - 22				
	18 - 26	93211-04001	3 - 6	95380-06600	27 - 40	97095-08045	21 - 16				
	18 - 40		29 - 12	95380-08700	21 - 18		21 - 26				

115B/140B
PARTS CATALOGUE
©2002 by Yamaha Motor Co., Ltd.
1st Edition, Aug. 2002
All rights reserved.
Any reprinting or unauthorized use
without the written permission of
Yamaha Motor Co., Ltd.
is expressly prohibited.

115B/140B
CATALOGO DE REPUESTOS
©2002, Yamaha Motor Co., Ltd.
1ª edición, Ag. 2002
Reservados todos los derechos.
Se prohíbe expresamente toda reimpresión
o utilización no autorizada de este manual
sin el consentimiento por escrito de
Yamaha Motor Co., Ltd.