

**PARTS  
CATALOGUE  
CATALOGO  
DE REPUESTOS**

**2CMH'03(6F82)**

---

2B6F8-200S1

**YAMAHA**  
**GENUINE**  
Parts & Accessories

**A1**

# FOREWORD

This Parts Catalogue is related to the parts for the model(s) in the below frame. When you are ordering replacement parts, please refer to this Parts Catalogue and quote both part numbers and part names correctly.

2CMH'03(6F82)

1. Modifications or additions which have been made after issue of the Parts Catalogue will be announced in the Yamaha Parts News.  
It is advisable that you make necessary corrections to the Parts Catalogue according to the Yamaha Parts News.

2. Abbreviations

The Following abbreviations are used in this Parts Catalogue.

“UR” Use specified parts number.

“UN” Use as many as needed.

“AP” Alternate Parts

“LM” Local Made  
(Parts need to be ordered locally)

“O/S” Over Size

3. Parts, which are to be supplied in an assembly, are listed with a dot(.) in front of the part name as shown below.

EXAMPLE

CARBURETOR ASSY

.JET, PILOT

.NOZZLE, MAIN

4. Number of component for assembly

The numeral appearing to the right of each component part indicates the quantity of parts for each assembly unit.

EXAMPLE

| PART NO.          | DESCRIPTION         | u | u | u | u | REMARKS |
|-------------------|---------------------|---|---|---|---|---------|
| 6E0-85500-70      | C.D.I. MAGNETO ASSY | 1 |   |   |   |         |
| 6E0-85550-70      | .ROTOR ASSY         | 1 |   |   |   |         |
| 6E0-15723-00-94.. | PULLY, STARTER      | 1 |   |   |   |         |

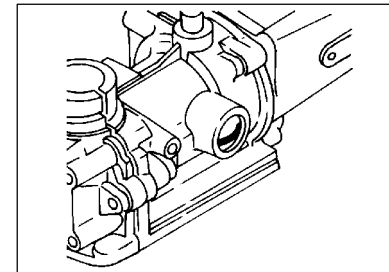
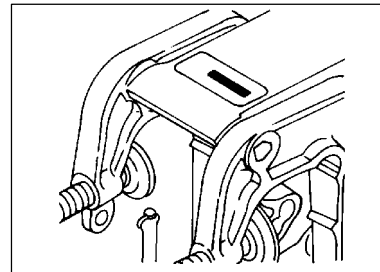
5. Quantity Column Information

| NAME for Q'TY COLUMN | APPLICABLE MODEL |
|----------------------|------------------|
| 2CMH                 | 2CMH             |

6. Applicable Starting Serial No. and Color Code

1) Engine Starting Serial No.

2CMH S 6F8K : 1000001



2) Color Code

| Color Code | Color Name                  | Abbreviation |
|------------|-----------------------------|--------------|
| 004D       | DARK BLUISH GRAY METALLIC 2 | DBNM2        |

7. Note that the illustrations for reference in finding parts numbers, not to be used for assembling. When assembling, please use the applicable service manual.

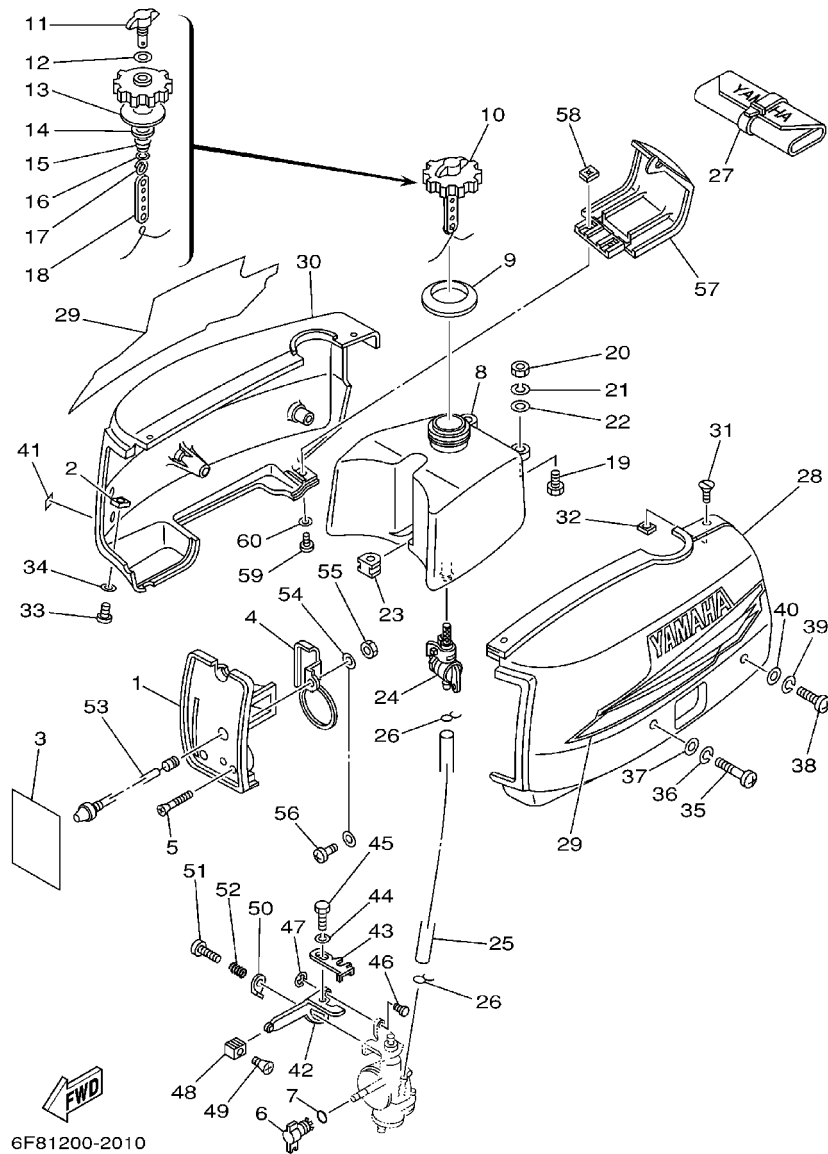
8. The asterisk (\*) before a reference number indicates modification items after the first edition.

# CONTENTS

|                           |    |
|---------------------------|----|
| COWLING . FUEL .....      | A4 |
| CYLINDER. CRANKCASE ..... | A7 |
| CARBURETOR .....          | B2 |
| STARTER .....             | B4 |
| GENERATOR .....           | B5 |
| BRACKET .....             | B6 |
| UPPER CASING .....        | C1 |
| LOWER CASING. DRIVE ..... | C3 |
| REPAIR KIT .....          | C5 |

## INDEX

|                       |    |
|-----------------------|----|
| NUMERICAL INDEX ..... | C7 |
|-----------------------|----|

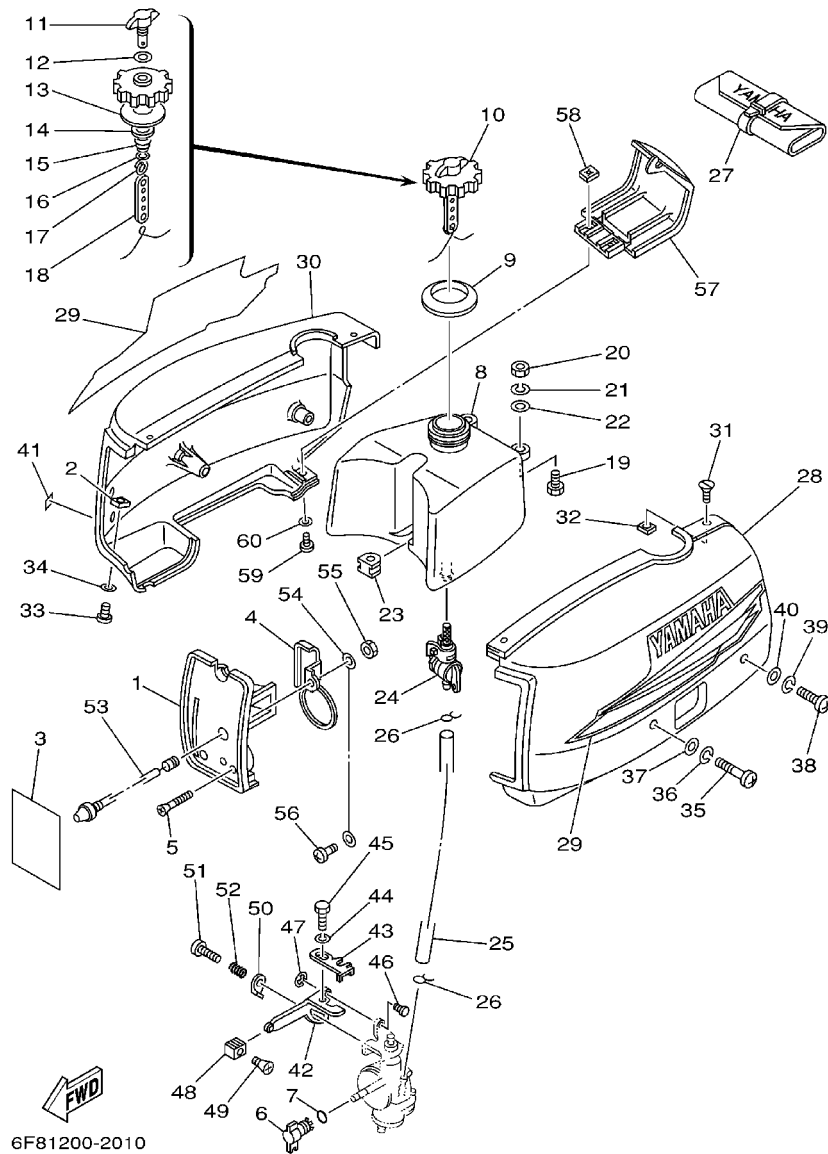


6F81200-2010

FIG. 1 COWLING . FUEL

CUBIERTA Y COMBUSTIBLE

| REF. NO. | PART NO. CODIGO NO. | DESCRIPTION DESCRIPTION                          | 2CMH |  |  |  | REMARKS OBSERVACION |
|----------|---------------------|--|------|--|--|--|---------------------|
| 1        | 6A1-14441-02        | SILENCER, INTAKE 2<br>SILENCIADOR DE ADMISION 2  | 1    |  |  |  |                     |
| 2        | 90173-05M00         | NUT, SQUARE<br>TUERCA CUADRADA                   | 2    |  |  |  |                     |
| 3        | 6A1-42677-10        | GRAPHIC, FRONT<br>CALCAMONIA FRONTAL             | 1    |  |  |  |                     |
| 4        | 6A1-14442-00        | SPACER<br>ESPACIADOR                             | 1    |  |  |  |                     |
| 5        | 90151-04M04         | SCREW, COUNTERSUNK<br>TORNILLO EMBUTIDO          | 2    |  |  |  |                     |
| 6        | 6A1-41271-00        | KNOB, CHOKE<br>PERILLA AHOGADOR                  | 1    |  |  |  |                     |
| 7        | 93210-08M29         | O-RING<br>JUNTA TORICA                           | 1    |  |  |  |                     |
| 8        | 6A1-24110-01        | FUEL TANK COMP.<br>DEPOSITO DE COMBUSTIBLE COMP. | 1    |  |  |  |                     |
| 9        | 6A1-24198-00        | SEAT, RUBBER<br>ASIENTO DE GOMA                  | 1    |  |  |  |                     |
| 10       | 6A1-24610-01        | CAP ASSY<br>TAPA COMPLETA                        | 1    |  |  |  |                     |
| 11       | 6A1-24631-00        | SCREW, AIR<br>TORNILLO DE AIRE                   | 1    |  |  |  |                     |
| 12       | 90430-04005         | GASKET<br>JUNTA                                  | 1    |  |  |  |                     |
| 13       | 90430-14117         | GASKET<br>JUNTA                                  | 1    |  |  |  |                     |
| 14       | 646-24615-01        | GASKET, PLATE 1<br>EMPAQUE DE PLACA 1            | 1    |  |  |  |                     |
| 15       | 90501-10374         | SPRING, COMPRESSION<br>RESORTE DE COMPRESION     | 1    |  |  |  |                     |
| 16       | 92907-04200         | WASHER<br>ARANDELA                               | 1    |  |  |  |                     |
| 17       | 90501-10260         | SPRING, COMPRESSION<br>RESORTE DE COMPRESION     | 1    |  |  |  |                     |
| 18       | 646-24241-00        | INDICATOR 1<br>INDICADOR 1                       | 1    |  |  |  |                     |
| 19       | 97095-06018         | BOLT<br>PERNO                                    | 2    |  |  |  |                     |
| 20       | 95380-06600         | NUT, HEXAGON<br>TUERCA                           | 2    |  |  |  |                     |
| 21       | 92995-06100         | WASHER, SPRING<br>ARANDELA                       | 2    |  |  |  |                     |
| 22       | 90201-06M30         | WASHER, PLATE<br>ARANDELA PLANA                  | 2    |  |  |  |                     |
| 23       | 6A1-24181-00        | DAMPER, LOCATING 1<br>AMORTIGUADOR DE MONTAJE 1  | 1    |  |  |  |                     |
| 24       | 6A1-24500-02        | FUEL COCK ASSY 1<br>GRIFO DE COMBUSTIBLE 1       | 1    |  |  |  |                     |
| 25       | 6A1-24311-00        | PIPE, FUEL 1<br>TUBO DE COMBUSTIBLE 1            | 1    |  |  |  |                     |
| 26       | 90467-08004         | CLIP<br>PRESILLA                                 | 2    |  |  |  |                     |
| 27       | 656-W2810-02        | TOOL KIT<br>JUEGO DE HERRAMIENTAS                | 1    |  |  |  |                     |



6F81200-2010

FIG. 1 COWLING . FUEL

CUBIERTA Y COMBUSTIBLE

| REF. NO. | PART NO. CODIGO NO. | DESCRIPTION DESCRIPTION                               | 2CMH |  |  |  | REMARKS OBSERVACION |
|----------|---------------------|---|------|--|--|--|---------------------|
| 28       | 6A1-42741-11        | APRON MANDIL  | 1    |  |  |  |                     |
| 29       | 6A1-W0070-14        | GRAPHIC SET JUEGO DE EMBLEMA                          | 1    |  |  |  |                     |
| 30       | 6A1-42771-11        | APRON MANDIL  | 1    |  |  |  |                     |
| 31       | 98780-05012         | SCREW, FLAT HEAD TORNILLO CABEZA PLANA                | 2    |  |  |  |                     |
| 32       | 90183-05M00         | NUT, SPRING TUERCA DE RESORTE                         | 2    |  |  |  |                     |
| 33       | 97880-05010         | SCREW, PAN HEAD TORNILLO DE CABEZA CON PLANA          | 2    |  |  |  |                     |
| 34       | 92990-05600         | WASHER, PLATE ARANDELA PLANA                          | 2    |  |  |  |                     |
| 35       | 97880-06040         | SCREW, PAN HEAD TORNILLO DE CABEZA CON PLANA          | 2    |  |  |  |                     |
| 36       | 92990-06100         | WASHER, SPRING ARANDELA GROWER                        | 2    |  |  |  |                     |
| 37       | 92990-06600         | WASHER, PLATE ARANDELA PLANA                          | 2    |  |  |  |                     |
| 38       | 97880-06025         | SCREW, PAN HEAD TORNILLO DE CABEZA CON PLANA          | 2    |  |  |  |                     |
| 39       | 92990-06100         | WASHER, SPRING ARANDELA GROWER                        | 2    |  |  |  |                     |
| 40       | 92990-06600         | WASHER, PLATE ARANDELA PLANA                          | 2    |  |  |  |                     |
| 41       | 6A1-28176-00        | LABEL, CAUTION ETIQUETA DE PRECAUCION                 | 1    |  |  |  |                     |
| 42       | 6A1-41212-01        | ARM, ACCEL. BRAZO                                     | 1    |  |  |  |                     |
| 43       | 6A1-41211-00        | LINK, ACCEL. ESLABON, ACELERADOR                      | 1    |  |  |  |                     |
| 44       | 92990-05100         | WASHER, SPRING ARANDELA GROWER                        | 1    |  |  |  |                     |
| 45       | 97095-05010         | BOLT PERNO  | 1    |  |  |  |                     |
| 46       | 6A1-14365-00        | PIN, CLEVIS PASADOR                                   | 1    |  |  |  |                     |
| 47       | 99001-04600         | CIRCLIP PRESILLA REDONDA                              | 1    |  |  |  |                     |
| 48       | 6A1-41637-00        | KNOB, MAGNETO CONTROL PERILLA CONTROL DEL MAGNETO     | 1    |  |  |  |                     |
| 49       | 98780-03010         | SCREW, FLAT HEAD TORNILLO CABEZA PLANA                | 1    |  |  |  |                     |
| 50       | 6A1-41223-00        | WASHER, LOCK 1 ARANDERA DE SEGURO1                    | 1    |  |  |  |                     |
| 51       | 97885-05025         | SCREW, PAN HEAD TORNILLO A MUESCA                     | 1    |  |  |  |                     |
| 52       | 90501-12M16         | SPRING, COMPRESSION RESORTE DE COMPRESION             | 1    |  |  |  |                     |
| 53       | 6A1-82550-02        | ENGINE STOP SWITCH ASSY INTERRUPT. DE PARADA COMPLETO | 1    |  |  |  |                     |
| 54       | 6A1-82541-00        | WIRE, LEAD CABLE CONDUCTOR                            | 1    |  |  |  |                     |



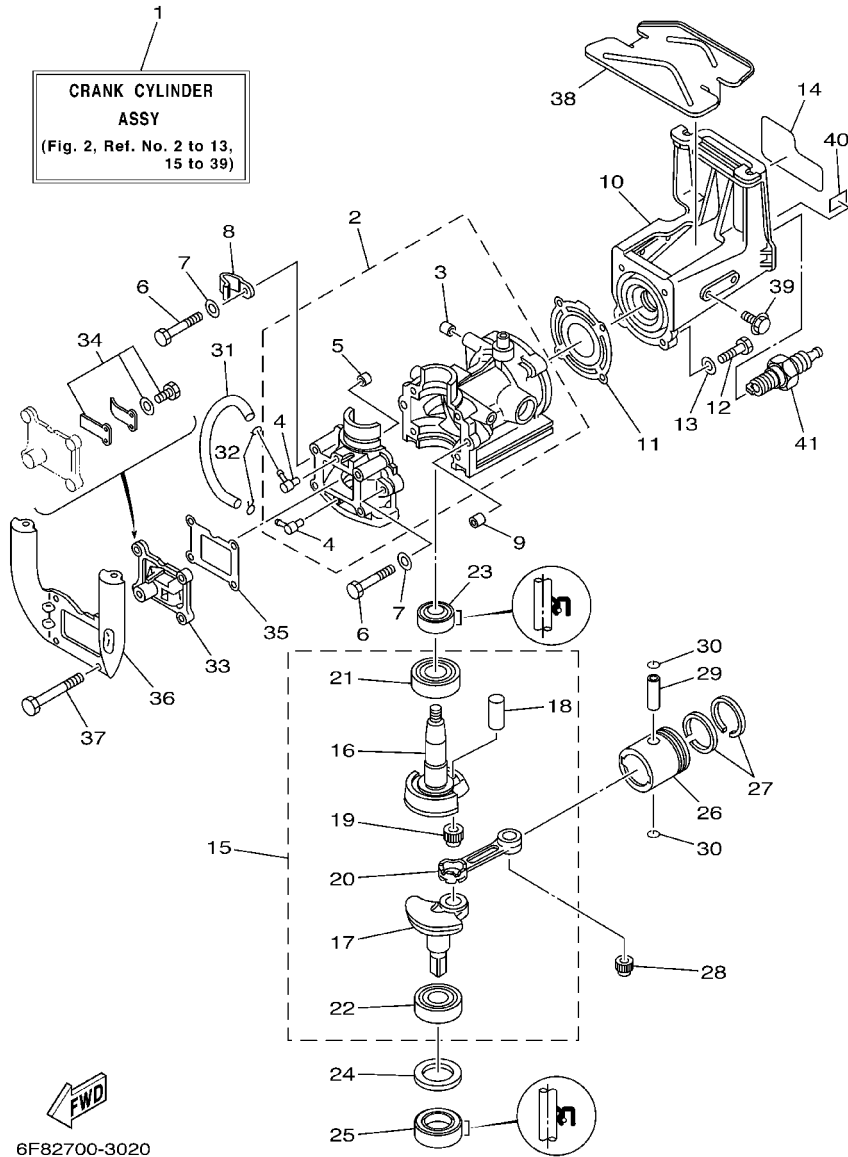


FIG. 2 CYLINDER. CRANKCASE CYLINDRO. CARTER

| REF. NO. | PART NO. CODIGO NO. | DESCRIPTION DESCRIPTION                       | 2CMH |  |  |  | REMARKS OBSERVACION |
|----------|---------------------|---|------|--|--|--|---------------------|
| 1        | 6F8-W0090-64-1S     | CRANK CYLINDER ASSY<br>BLOQUE MOTOR COMPLETO  | 1    |  |  |  |                     |
| 2        | 6F8-15100-61-1S     | CRANKCASE ASSY<br>CARTER COMPLETO             | 1    |  |  |  |                     |
| 3        | 90336-06001         | .PLUG, TAPER<br>.TAPON AHUSADO                | 1    |  |  |  |                     |
| 4        | 650-14485-03        | .PIPE, JOINT<br>.TUBO DE UNION                | 2    |  |  |  |                     |
| 5        | 624-11379-00        | .VALVE, CHECK<br>.VALVULA DE CONTROL          | 1    |  |  |  |                     |
| 6        | 97013-06040         | BOLT<br>PERNO                                 | 2    |  |  |  |                     |
| 7        | 92903-06600         | WASHER, PLATE<br>RONDANA SENCILLA             | 2    |  |  |  |                     |
| 8        | 90465-06M86         | CLAMP<br>BRIDA                                | 1    |  |  |  |                     |
| 9        | 99530-10014         | PIN, DOWEL<br>PASADOR, DE CLAVIJA             | 2    |  |  |  |                     |
| 10       | 6A1-11111-02-1S     | HEAD, CYLINDER 1<br>CULATA CILINDRO 1         | 1    |  |  |  |                     |
| 11       | 6F8-11181-A1        | GASKET, CYLINDER HEAD 1<br>JUNTA, DE CULATA 1 | 1    |  |  |  |                     |
| 12       | 97095-06025         | BOLT<br>PERNO                                 | 4    |  |  |  |                     |
| 13       | 92995-06600         | WASHER<br>ARANDELA                            | 4    |  |  |  |                     |
| 14       | 6A1-42678-12        | GRAPHIC, REAR<br>CALCAMONIA TRASERA           | 1    |  |  |  |                     |
| 15       | 6A1-11400-00        | CRANKSHAFT ASSY<br>CIGUENAL COMPLETO          | 1    |  |  |  |                     |
| 16       | 646-11412-01        | .CRANK 1<br>.MANIVELA 1                       | 1    |  |  |  |                     |
| 17       | 6A1-11422-00        | .CRANK 2<br>.MANIVELA 2                       | 1    |  |  |  |                     |
| 18       | 646-11681-00        | .PIN, CRANK 1<br>.PASADOR MANIVELA 1          | 1    |  |  |  |                     |
| 19       | 93310-31439         | .BEARING<br>.COJINETE DE RODILLOS             | 1    |  |  |  |                     |
| 20       | 646-11651-02        | .ROD, CONNECTING<br>.BIELA                    | 1    |  |  |  |                     |
| 21       | 93306-00409         | .BEARING<br>.COJINETE                         | 1    |  |  |  |                     |
| 22       | 93306-30204         | .BEARING<br>.COJINETE                         | 1    |  |  |  |                     |
| 23       | 93102-20070         | OIL SEAL<br>RETEN DE ACEITE                   | 1    |  |  |  |                     |
| 24       | 90201-35300         | WASHER, PLATE<br>ARANDELA PLANA               | 1    |  |  |  |                     |
| 25       | 93102-15M32         | OIL SEAL<br>RETEN DE ACEITE                   | 1    |  |  |  |                     |
| 26       | 6F8-11631-00-98     | PISTON (STD)<br>PISTON (NORMA)                | 1    |  |  |  |                     |
|          | 6F8-11635-00        | PISTON (0.25MM O/S)<br>PISTON (0.25MM O/S)    | 1    |  |  |  | AP                  |

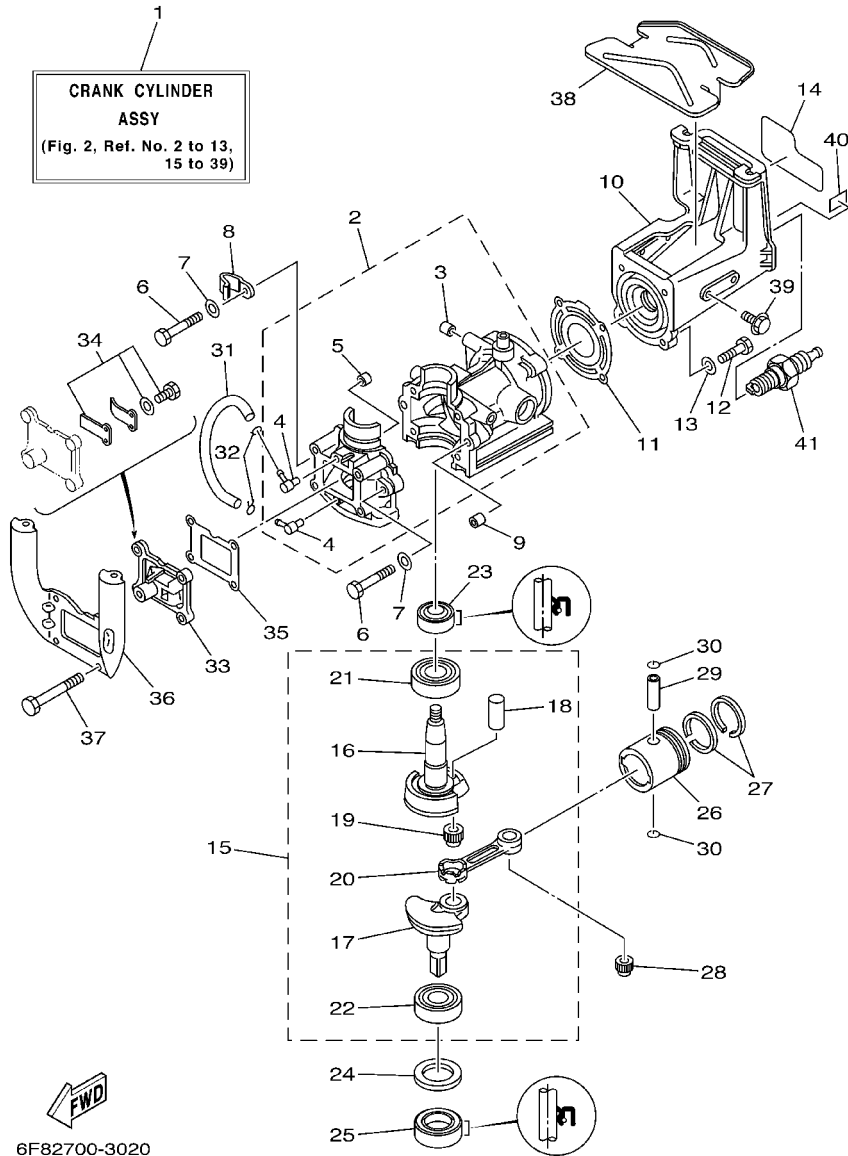


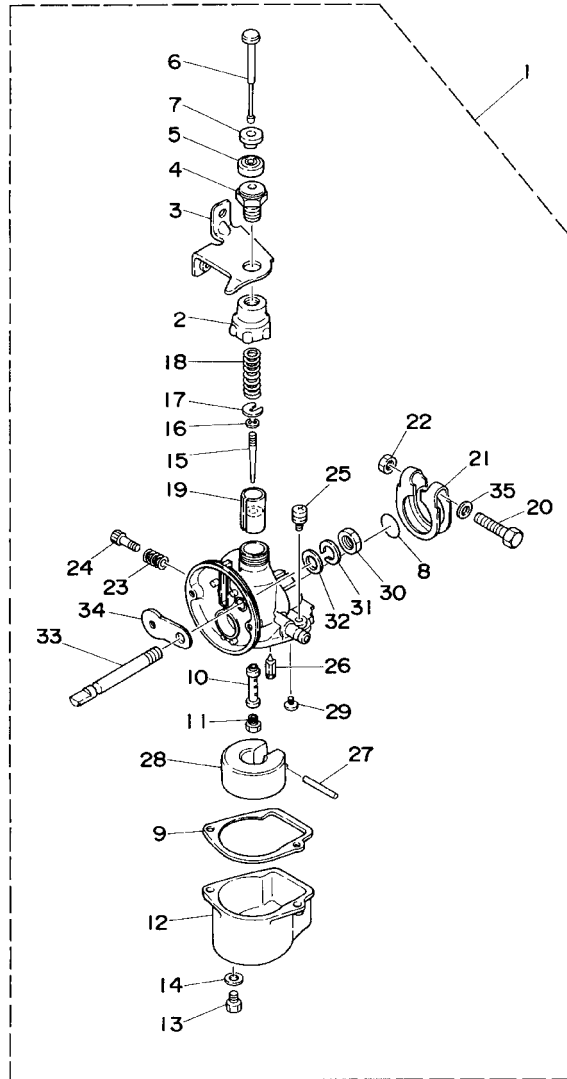
FIG. 2 CYLINDER. CRANKCASE CYLINDRO. CARTER

| REF. NO. | PART NO. CODIGO NO. | DESCRIPTION DESCRIPTION       | 2CMH |  |  |  | REMARKS OBSERVACION |
|----------|---------------------|-------------------------------|------|--|--|--|---------------------|
| 26       | 6F8-11636-00        | PISTON (0.50MM O/S)           | 1    |  |  |  | AP                  |
| 27       | 6F8-11610-00        | PISTON RING SET (STD)         | 1    |  |  |  |                     |
|          | 6F8-11610-10        | JUEGO DE AROS (NORMA)         | 1    |  |  |  | AP                  |
|          | 6F8-11610-20        | PISTON RING SET (0.25MM O/S)  | 1    |  |  |  | AP                  |
| 28       | 93310-210V1         | BEARING                       | 1    |  |  |  |                     |
|          |                     | CQJINETE DE RODILLOS          |      |  |  |  |                     |
| 29       | 646-11633-00        | PIN, PISTON PASADOR, PISTON   | 1    |  |  |  |                     |
| 30       | 93450-11021         | CIRCLIP                       | 2    |  |  |  |                     |
|          |                     | SEGURO                        |      |  |  |  |                     |
| 31       | 90445-07254         | HOSE (L118)                   | 1    |  |  |  |                     |
|          |                     | TUBO (L118)                   |      |  |  |  |                     |
| 32       | 90467-06016         | CLIP                          | 2    |  |  |  |                     |
|          |                     | PRESILLA                      |      |  |  |  |                     |
| 33       | 6A1-13610-00        | REED VALVE ASSY               | 1    |  |  |  |                     |
|          |                     | VALVULA DE LAMINAS COMPLETA   |      |  |  |  |                     |
| 34       | 6A1-W0004-00        | REED SET                      | 1    |  |  |  |                     |
|          |                     | JUEGO DE VALVULAS DE LENGUETA |      |  |  |  |                     |
| 35       | 6A1-13621-A0        | GASKET, VALVE SEAT            | 1    |  |  |  |                     |
|          |                     | JUNTA, DE VALV.DE EMPAQUE     |      |  |  |  |                     |
| 36       | 6A1-15771-01        | STAY 1                        | 1    |  |  |  |                     |
|          |                     | SOPORTE 1                     |      |  |  |  |                     |
| 37       | 97013-06060         | BOLT                          | 4    |  |  |  |                     |
|          |                     | PERNO                         |      |  |  |  |                     |
| 38       | 6A1-24141-00        | PROTECTOR, FUEL TANK          | 1    |  |  |  |                     |
|          |                     | PROTECTOR DEPOSITO COMBUST.   |      |  |  |  |                     |
| 39       | 95895-06010         | BOLT, FLANGE                  | 2    |  |  |  |                     |
|          |                     | TORNILLO DE REBORDE           |      |  |  |  |                     |
| 40       | 664-42791-00        | MARK 1                        | 1    |  |  |  |                     |
|          |                     | MARCA 1                       |      |  |  |  |                     |
|          | 664-42791-10        | MARK 1                        | 1    |  |  |  | FOR CARIB,CHINA     |
|          |                     | MARCA 1                       |      |  |  |  |                     |
| 41       | 94702-00040         | PLUG, SPARK (NGK B7HS)        | 1    |  |  |  |                     |
|          |                     | BUJIA (NGK B7HS)              |      |  |  |  |                     |
|          | 94702-00272         | PLUG, SPARK (NGK BR7HS)       | 1    |  |  |  | FOR CARIB,CHINA     |
|          |                     | BUJIA (NGK BR7HS)             |      |  |  |  |                     |



FIG. 3 CARBURETOR

CARBURADOR



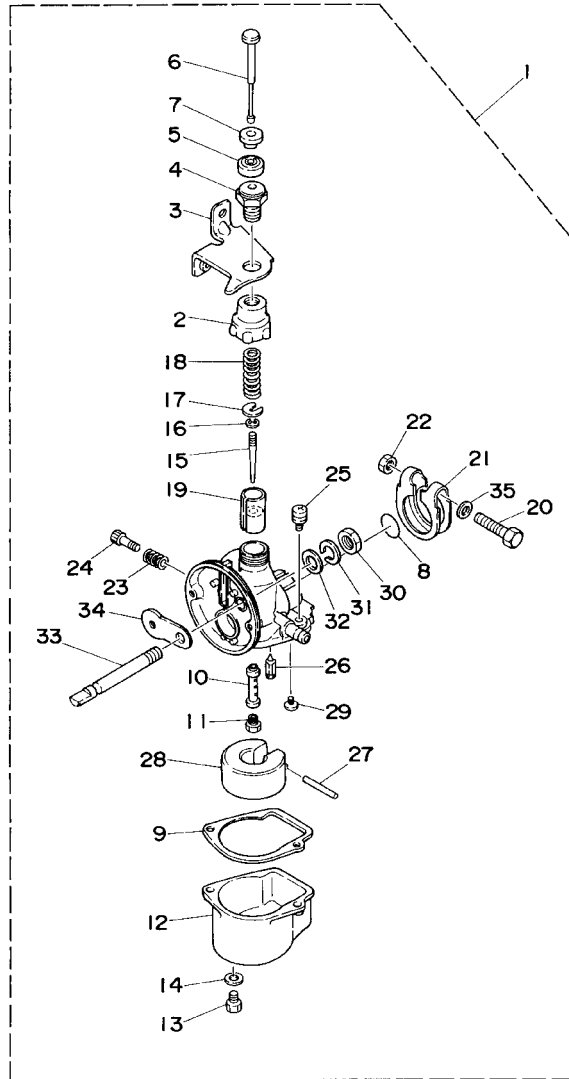
| REF. NO. | PART NO. CODIGO NO. | DESCRIPTION DESCRIPTION                                  | 2CMH |  |  |  | REMARKS OBSERVACION |
|----------|---------------------|--|------|--|--|--|---------------------|
| 1        | 6F8-14301-03        | CARBURETOR ASSY 1<br>CARBURADOR COMPLETO 1               | 1    |  |  |  |                     |
| 2        | 646-14158-00        | .TOP, MIXING CHAMBER<br>.TECHO DE CAMARA DE MEZCLA       | 1    |  |  |  |                     |
| 3        | 6A1-14497-00        | .STAY, THROTTLE WIRE<br>.SOPORTE VALVULA DE OBTURACION   | 1    |  |  |  |                     |
| 4        | 646-14321-00        | .SCREW, THROTTLE<br>.TORNILLO DE OBTURADOR               | 1    |  |  |  |                     |
| 5        | 646-14169-00        | .CAP<br>.FUNDA   | 1    |  |  |  |                     |
| 6        | 6A1-14314-00        | .BAR, THROTTLE<br>.BARRA DE ACELERADOR                   | 1    |  |  |  |                     |
| 7        | 6A1-14163-00        | .SPACER<br>.ESPACIADOR                                   | 1    |  |  |  |                     |
| 8        | 646-14229-01        | .O-RING<br>.EJE DE AHOGADOR                              | 1    |  |  |  |                     |
| 9        | 6A1-14384-00        | .GASKET, FLOAT CHAMBER<br>.EMPAQUE DE CAMARA DE BOIA     | 1    |  |  |  |                     |
| 10       | 6A1-14341-01        | .NOZZLE, MAIN<br>.BOQUILLA PRINCIPAL                     | 1    |  |  |  |                     |
| 11       | 6A1-14343-52        | .JET, MAIN (#104)<br>.INYECTOR PRINCIPAL (#104)          | 1    |  |  |  |                     |
| 12       | 6A1-14381-02        | .BODY, FLOAT CHAMBER<br>.CUERPO DE CAMARA DE BOIA        | 1    |  |  |  |                     |
| 13       | 97890-05006         | .SCREW, PAN HEAD<br>.TORNILLO                            | 1    |  |  |  |                     |
| 14       | 646-14198-01        | .GASKET<br>.EMPAQUE                                      | 1    |  |  |  |                     |
| 15       | 6F8-14116-00        | .NEEDLE<br>.AGUJA DE SURTIDOR                            | 1    |  |  |  |                     |
| 16       | 646-14137-00        | .CLIP<br>.PRESILLA                                       | 1    |  |  |  |                     |
| 17       | 646-14136-00        | .SEAT, SPRING<br>.ASIENTO DE RESORTE                     | 1    |  |  |  |                     |
| 18       | 646-14331-01        | .SPRING, THROTTLE VALVE<br>.RESORTE VALVULA ACELERADOR   | 1    |  |  |  |                     |
| 19       | 646-14312-08        | .VALVE, THROTTLE 1<br>.VALVULA DE OBTURADOR 1            | 1    |  |  |  |                     |
| 20       | 6A1-14125-01        | .SCREW<br>.TORNILLO                                      | 1    |  |  |  |                     |
| 21       | 6A1-14127-01        | .CLIP<br>.PRESILLA                                       | 1    |  |  |  |                     |
| 22       | 6A1-14358-01        | .NUT<br>.TUERCA  | 1    |  |  |  |                     |
| 23       | 6A1-14212-00        | .SPRING, PILOT ADJUSTING<br>.RESORTE DE AJUSTE DE PILOTO | 1    |  |  |  |                     |
| 24       | 646-14211-02        | .SCREW, PILOT ADJUSTING<br>.TORNILLO DE AJUSTE DE PILOTO | 1    |  |  |  |                     |
| 25       | 97980-04110         | .SCREW, WITH WASHER<br>.TORNILLO, CON ARANDELA           | 2    |  |  |  |                     |
| 26       | 6A1-14392-00        | .VALVE, NEEDLE<br>.VALVULA DE AGUJA                      | 1    |  |  |  |                     |
| 27       | 6A1-14386-00        | .PIN, FLOAT<br>.PASADOR DE BOIA                          | 1    |  |  |  |                     |



6A10010-4030

FIG. 3 CARBURETOR

CARBURADOR

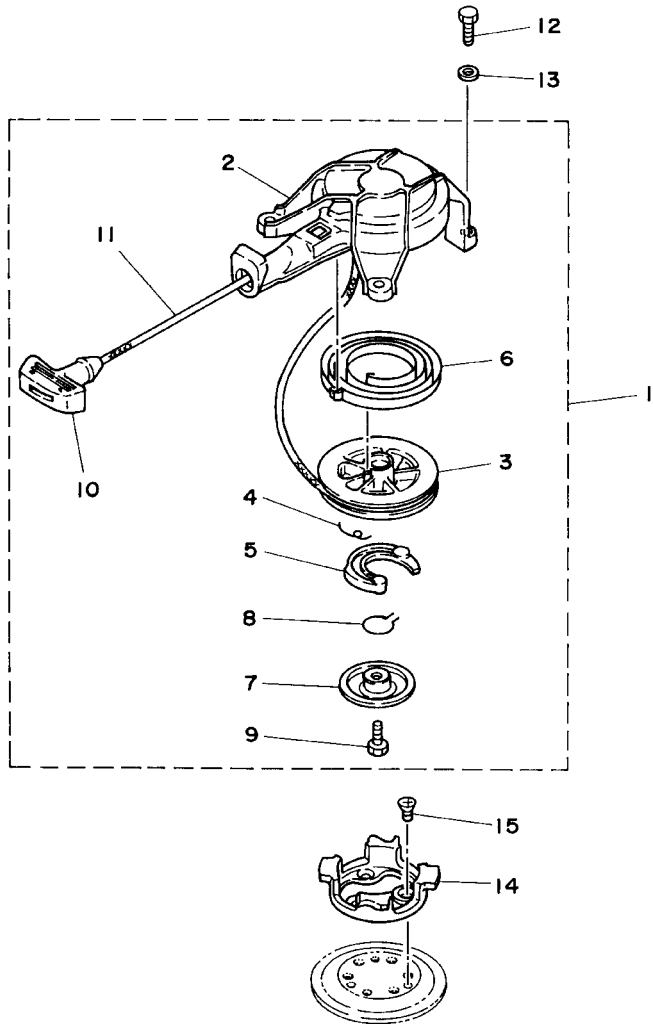


| REF. NO. | PART NO. CODIGO NO. | DESCRIPTION DESCRIPTION                         | 2CMH |  |  |  | REMARKS OBSERVACION |
|----------|---------------------|---|------|--|--|--|---------------------|
| 28       | 6A1-14385-00        | .FLOAT<br>.BOIA                                 | 1    |  |  |  |                     |
| 29       | 98580-03005         | .SCREW, PAN HEAD<br>.TORNILLO DE CABEZA CRUZADA | 1    |  |  |  |                     |
| 30       | 646-14358-00        | .NUT<br>.TUERCA                                 | 1    |  |  |  |                     |
| 31       | 6A1-14356-00        | .WASHER, SPRING<br>.ARANDELA DE RESORTE         | 1    |  |  |  |                     |
| 32       | 646-14357-00        | .WASHER, PLAIN<br>.ARANDELA                     | 1    |  |  |  |                     |
| 33       | 6A1-14448-00        | .LEVER, CHOKE VALVE<br>.PALANCA DE AHOGADOR     | 1    |  |  |  |                     |
| 34       | 6F8-14217-00        | .VALVE, CHOKE<br>.VALVULA DE AHOGADOR           | 1    |  |  |  |                     |
| 35       | 92990-05600         | .WASHER, PLATE<br>.ARANDELA PLANA               | 1    |  |  |  |                     |
|          |                     |   |      |  |  |  |                     |
|          |                     |   |      |  |  |  |                     |
|          |                     |   |      |  |  |  |                     |
|          |                     |   |      |  |  |  |                     |
|          |                     |   |      |  |  |  |                     |
|          |                     |   |      |  |  |  |                     |
|          |                     |   |      |  |  |  |                     |

6A10010-4030

FIG. 4 STARTER

ARRANQUE

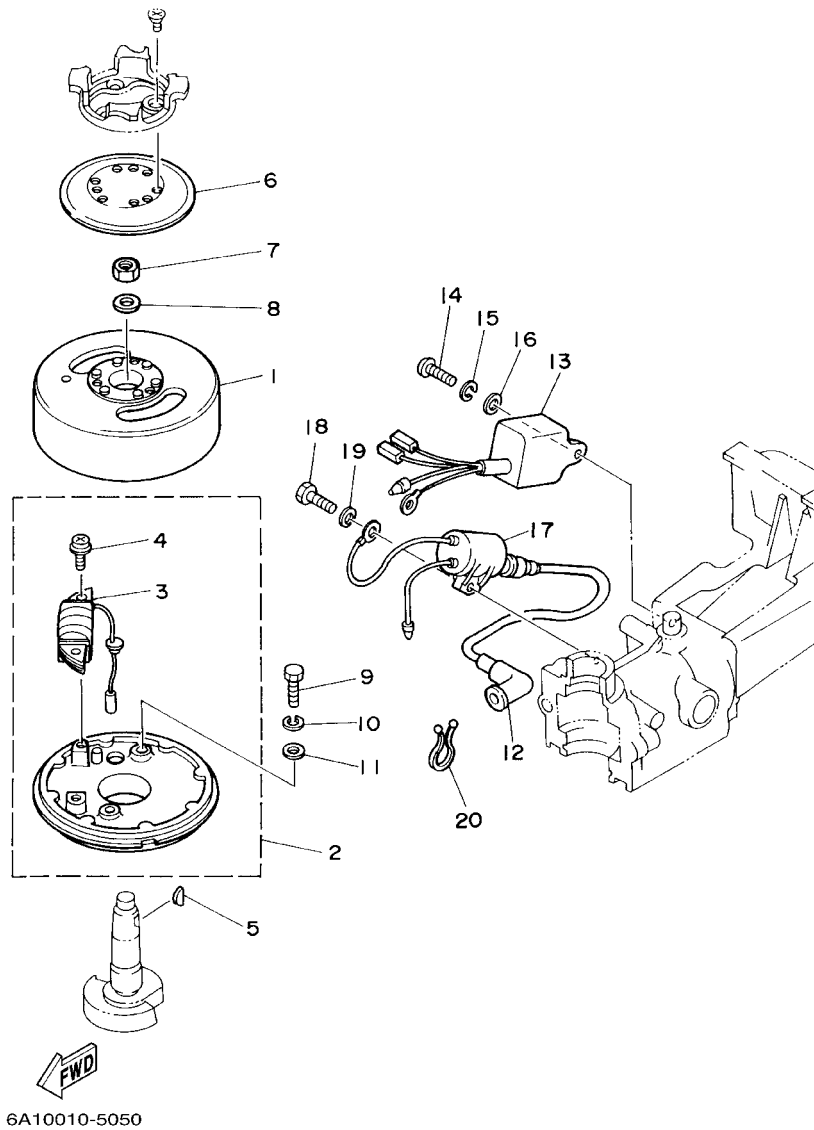


| REF. NO. | PART NO. CODIGO NO. | DESCRIPTION DESCRIPTION  | 2CMH |  |  |  | REMARKS OBSERVACION |
|----------|---------------------|--|------|--|--|--|---------------------|
| 1        | 6A1-15710-00        | STARTER ASSY<br>ARRANQUE COMPLETO  | 1    |  |  |  |                     |
| 2        | 6A1-15711-00        | .CASE, STARTER<br>.CAJA DE ARRANQUE  | 1    |  |  |  |                     |
| 3        | 6A1-15714-00        | .DRUM, SHEAVE<br>.TAMBOR ROLDANA   | 1    |  |  |  |                     |
| 4        | 6A1-15767-00        | .SPRING<br>.RESORTE  | 1    |  |  |  |                     |
| 5        | 6A1-15741-00        | .PAWL, DRIVE<br>.TRINQUETE DE TRACCION   | 1    |  |  |  |                     |
| 6        | 6A1-15713-00        | .SPRING, STARTER<br>.RESORTE DE ARRANQUE   | 1    |  |  |  |                     |
| 7        | 6A1-15717-00        | .SHAFT, STARTER<br>.EJE DE ARRANQUE  | 1    |  |  |  |                     |
| 8        | 6A1-15705-00        | .SPRING, DRIVE PAWL<br>.RESORTE  | 1    |  |  |  |                     |
| 9        | 97322-06012         | .BOLT<br>.TORNILLO   | 1    |  |  |  |                     |
| 10       | 6A1-15755-02        | .HANDLE, STARTER<br>.MANIJA DE ARRANQUE  | 1    |  |  |  |                     |
| 11       | *                   | .WIRE (L1300)<br>.CUERDA DE ARRANQUE (L1300)                                     | 1    |  |  |  |                     |
| 12       | 97095-06016         | BOLT<br>PERNO  | 3    |  |  |  |                     |
| 13       | 92995-06600         | WASHER<br>ARANDELA   | 3    |  |  |  |                     |
| 14       | 6A1-15723-00-94     | PULLEY, STARTER<br>POLEA DE ARRANQUE   | 1    |  |  |  |                     |
| 15       | 98703-06012         | SCREW, FLAT HEAD<br>TORNILLO CABEZA PLANA  | 3    |  |  |  |                     |
|          |                     | * CUT FROM 50M ROLLS, PART NO. 90890-44372,<br>CUTTING LENGTH 1.3M               |      |  |  |  |                     |
|          |                     | * CORTE DE UN RODILLO DE 50M , PARTS NUMERO<br>90890-44372, LARGO DEL CORTE 1.3M |      |  |  |  |                     |

FWD  
6A10010-4040

FIG. 5 GENERATOR

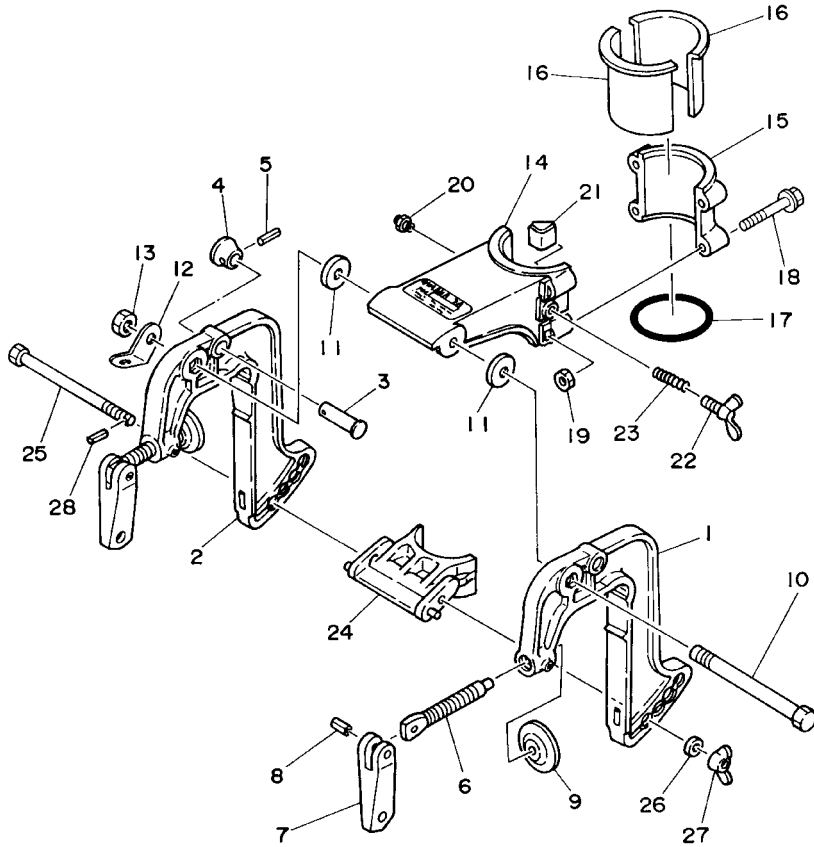
GENERADOR



| REF. NO. | PART NO. CODIGO NO. | DESCRIPTION DESCRIPTION                           | 2CMH |  |  |  | REMARKS OBSERVACION |
|----------|---------------------|---|------|--|--|--|---------------------|
| 1        | 6A1-85550-00        | ROTOR ASSY<br>ROTOR COMPLETO                      | 1    |  |  |  |                     |
| 2        | 6A1-85560-00        | BASE ASSY<br>CONJUNTO BASE                        | 1    |  |  |  |                     |
| 3        | 6A1-85520-00        | .COIL, CHARGE<br>.BOBINA DE CARGA                 | 1    |  |  |  |                     |
| 4        | 97885-05020         | .SCREW, PAN HEAD<br>.TORNILLO A MUESCA            | 2    |  |  |  |                     |
| 5        | 90280-04M06         | KEY, WOODRUFF<br>CUNA WOODRUFF                    | 1    |  |  |  |                     |
| 6        | 6A1-81362-00        | COVER, HOLE<br>CUBIERTA DE ORIFICIO               | 1    |  |  |  |                     |
| 7        | 90170-10M33         | NUT<br>TUERCA                                     | 1    |  |  |  |                     |
| 8        | 92903-10100         | WASHER, SPRING<br>RONDANA SENCILLA                | 1    |  |  |  |                     |
| 9        | 97013-06030         | BOLT<br>PERNO                                     | 2    |  |  |  |                     |
| 10       | 92903-06100         | WASHER, SPRING<br>RONDANA SENCILLA                | 2    |  |  |  |                     |
| 11       | 92903-06600         | WASHER, PLATE<br>RONDANA SENCILLA                 | 2    |  |  |  |                     |
| 12       | 663-82370-01        | PLUG CAP ASSY<br>TAPON DE BUJIA COMPLT            | 1    |  |  |  |                     |
|          | 6G1-82370-21        | PLUG CAP ASSY<br>TAPON DE BUJIA COMPLT            | 1    |  |  |  | FOR CARIB           |
| 13       | 6A1-85540-01        | C.D.I. UNIT ASSY<br>UNIDAD C.D.I. COMPLETA        | 1    |  |  |  |                     |
| 14       | 97885-06016         | SCREW, PAN HEAD<br>TORNILLO A MUESCA              | 1    |  |  |  |                     |
| 15       | 92995-06100         | WASHER, SPRING<br>ARANDELA                        | 1    |  |  |  |                     |
| 16       | 92995-06600         | WASHER<br>ARANDELA                                | 1    |  |  |  |                     |
| 17       | 6A1-85570-00        | IGNITION COIL ASSY<br>BOBINA DE IGNICION COMPLETO | 1    |  |  |  |                     |
| 18       | 97095-06020         | BOLT<br>PERNO                                     | 1    |  |  |  |                     |
| 19       | 92995-06600         | WASHER<br>ARANDELA                                | 1    |  |  |  |                     |
| 20       | 90464-08M07         | CLAMP<br>BRIDA                                    | 1    |  |  |  |                     |

FIG. 6 BRACKET

SOPORTE



| REF. NO. | PART NO. CODIGO NO. | DESCRIPTION DESCRIPTION                                 | 2CMH |  |  |  | REMARKS OBSERVACION |
|----------|---------------------|---|------|--|--|--|---------------------|
| 1        | 6A1-43111-03-4D     | BRACKET, CLAMP<br>SOPORTE DE LA ABRAZADERA              | 1    |  |  |  |                     |
| 2        | 6A1-43112-00-4D     | BRACKET, CLAMP<br>SOPORTE DE LA ABRAZADERA              | 1    |  |  |  |                     |
| 3        | 6A1-43191-00        | SHAFT, STOPPER<br>EJE DE TOPE                           | 1    |  |  |  |                     |
| 4        | 6A1-43192-00        | KNOB, STOPPER<br>PERILLA DE TOPE                        | 1    |  |  |  |                     |
| 5        | 91690-30014         | PIN, SPRING<br>PASADOR DE RESORTE                       | 1    |  |  |  |                     |
| 6        | 6E0-43116-01        | SCREW, TRANSOM CLAMP<br>TORNILLO DE ABRAZADERA          | 2    |  |  |  |                     |
| 7        | 6E0-43118-01        | HANDLE, TRANSOM CLAMP<br>MANIJA DE LA ABRAZADERA DEL ES | 2    |  |  |  |                     |
| 8        | 90243-04M01         | PIN<br>PASADOR  | 2    |  |  |  |                     |
| 9        | 620-43114-00        | PAD, TRANSOM CLAMP<br>ARANDELA DE ABRAZADERA            | 2    |  |  |  |                     |
| 10       | 90101-08217         | BOLT<br>TORNILLO  | 1    |  |  |  |                     |
| 11       | 90202-08022         | WASHER, PLATE<br>ARANDELA DE PLANA                      | 2    |  |  |  |                     |
| 12       | 6A1-43113-01        | PLATE, CLAMP BRACKET<br>PLACA ABRAZADERA SOPORTE        | 1    |  |  |  |                     |
| 13       | 95380-08600         | NUT<br>TUERCA   | 1    |  |  |  |                     |
| 14       | 6A1-43311-02-4D     | BRACKET, SWIVEL 1<br>SOPORTE GIRATORIO 1                | 1    |  |  |  |                     |
| 15       | 6A1-43312-00-4D     | BRACKET, SWIVEL 2<br>SOPORTE GIRATORIO 2                | 1    |  |  |  |                     |
| 16       | 646-42537-01        | BUSHING, PIVOT SHAFT<br>BUJE DEL PIVOTE DE LA FLECHA    | 2    |  |  |  |                     |
| 17       | 93210-46044         | O-RING<br>JUNTA TORICA                                  | 1    |  |  |  |                     |
| 18       | 90119-06M98         | BOLT, WITH WASHER<br>TORNILLO CON ARANDELA              | 4    |  |  |  |                     |
| 19       | 95380-06600         | NUT, HEXAGON<br>TUERCA                                  | 4    |  |  |  |                     |
| 20       | 93700-06M03         | NIPPLE, GREASE<br>BOQUILLA DE ENGRASAR                  | 1    |  |  |  |                     |
| 21       | 646-42528-00        | PLATE, FRICTION<br>PIEZA DE FRICCION                    | 1    |  |  |  |                     |
| 22       | 90122-06004         | BOLT, WING<br>PERNO MARIPOSA                            | 1    |  |  |  |                     |
| 23       | 90501-12272         | SPRING, COMPRESSION<br>RESORTE DE COMPRESION            | 1    |  |  |  |                     |
| 24       | 6A1-43351-00        | RECEIVER, THRUST<br>RECIBIDOR DE EMPUJE                 | 1    |  |  |  |                     |
| 25       | 6A1-43371-00        | BOLT, RECEIVER<br>TORNILLO RECEPTOR                     | 1    |  |  |  |                     |
| 26       | 90201-06040         | WASHER, PLATE<br>ARANDELA PLANA                         | 1    |  |  |  |                     |
| 27       | 90175-06008         | NUT, WING<br>TUERCA MARIPOSA                            | 1    |  |  |  |                     |

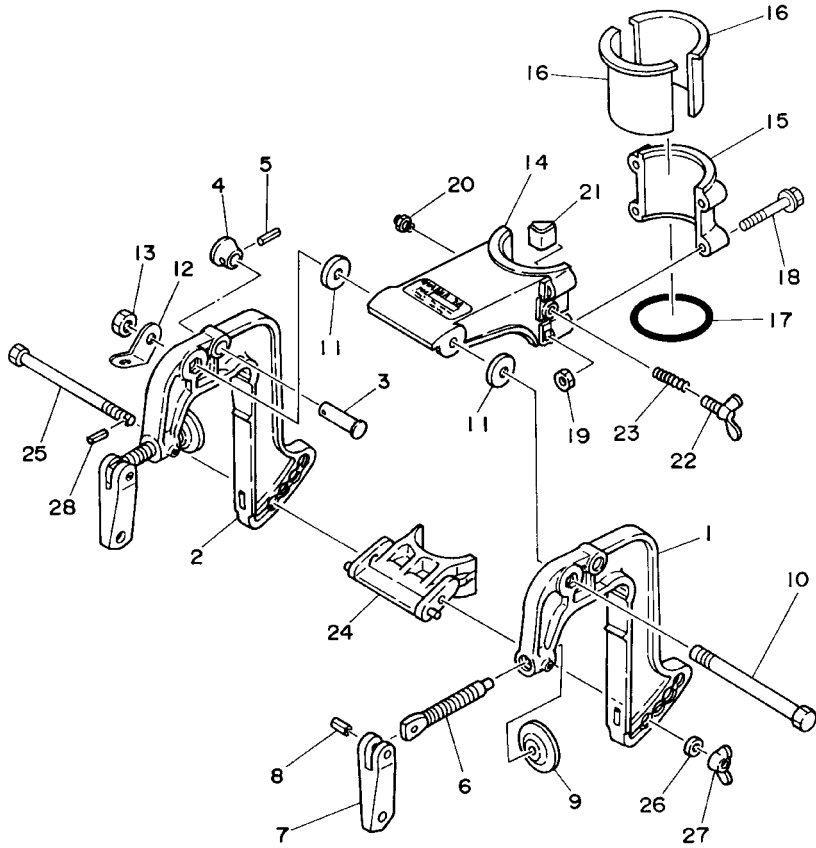


6A10010-4060

FIG. 6 BRACKET

SOPORTE

| REF. NO. | PART NO. CODIGO NO. | DESCRIPTION DESCRIPTION           | 2CMH |  |  |  | REMARKS OBSERVACION |
|----------|---------------------|-----------------------------------|------|--|--|--|---------------------|
| 28       | 91690-20006         | PIN, SPRING<br>PASADOR DE RESORTE | 1    |  |  |  |                     |
|          |                     |                                   |      |  |  |  |                     |
|          |                     |                                   |      |  |  |  |                     |
|          |                     |                                   |      |  |  |  |                     |
|          |                     |                                   |      |  |  |  |                     |
|          |                     |                                   |      |  |  |  |                     |
|          |                     |                                   |      |  |  |  |                     |
|          |                     |                                   |      |  |  |  |                     |
|          |                     |                                   |      |  |  |  |                     |
|          |                     |                                   |      |  |  |  |                     |



6A10010-4060

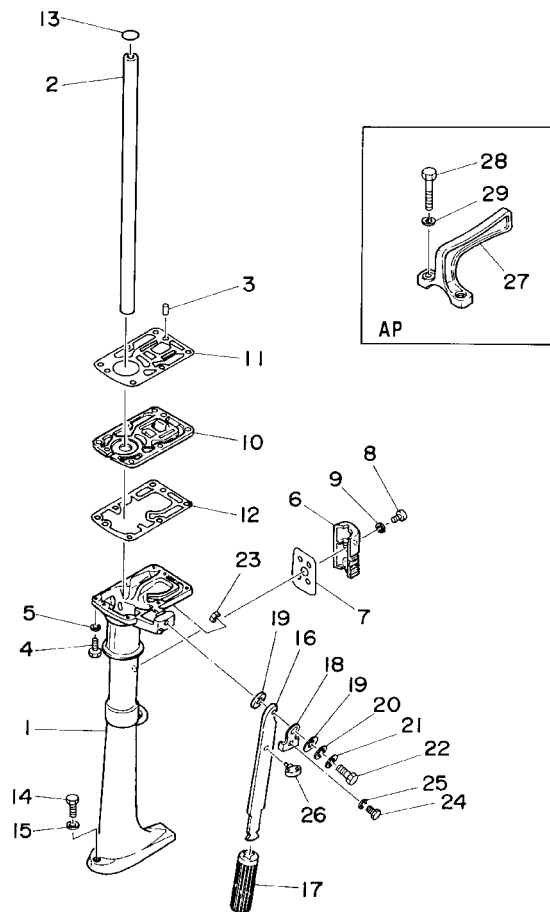


FIG. 7 UPPER CASING

FUNDA SUPERIOR

| REF. NO. | PART NO. CODIGO NO. | DESCRIPTION DESCRIPTION                              | 2CMH |  |  |  | REMARKS OBSERVACION |
|----------|---------------------|--|------|--|--|--|---------------------|
| 1        | 6A1-45111-02-4D     | CASING, UPPER<br>CAJA SUPERIOR                       | 1    |  |  |  |                     |
| 2        | 6A1-45113-00        | GASKET, UPPER CASING<br>EMPAQUE                      | 1    |  |  |  |                     |
| 3        | 93605-15065         | PIN, DOWEL<br>PASADOR DE CLAVIJA                     | 2    |  |  |  |                     |
| 4        | 97095-06025         | BOLT<br>PERNO  | 6    |  |  |  |                     |
| 5        | 92995-06600         | WASHER<br>ARANDELA                                   | 6    |  |  |  |                     |
| 6        | 6A1-45151-00        | COVER, UPPER CASING<br>CUBIERTA FUNDA SUPERIOR       | 1    |  |  |  |                     |
| 7        | 6A1-45115-00        | GASKET, UPPER CASING<br>JUNTA FUNDA SUPERIOR         | 1    |  |  |  |                     |
| 8        | 97880-06016         | SCREW, PAN HEAD<br>TORNILLO DE CABEZA CON PLANA      | 1    |  |  |  |                     |
| 9        | 92990-06600         | WASHER, PLATE<br>ARANDELA PLANA                      | 1    |  |  |  |                     |
| 10       | 6A1-41137-00-5B     | GUIDE, EXHAUST<br>GUIA DE ESCAPE                     | 1    |  |  |  |                     |
| 11       | 6A1-14613-A0        | GASKET, EXHAUST PIPE<br>JUNTA, TUBO DE ESCAPE        | 1    |  |  |  |                     |
| 12       | 646-14623-A1        | GASKET, EXHAUST PIPE<br>EMPAQUE                      | 1    |  |  |  |                     |
| 13       | 93210-19123         | O-RING<br>JUNTA TORICA                               | 1    |  |  |  |                     |
| 14       | 97095-06030         | BOLT<br>PERNO  | 1    |  |  |  |                     |
| 15       | 92995-06600         | WASHER<br>ARANDELA                                   | 1    |  |  |  |                     |
| 16       | 6A1-42111-00-4D     | HANDLE, STEERING<br>MANIJA DE DIRECCION              | 1    |  |  |  |                     |
| 17       | 646-42119-02        | GRIP, STEERING HANDLE<br>MANGO, MANIJA DE DIRRECCION | 1    |  |  |  |                     |
| 18       | 6A1-42181-00        | WASHER<br>ARANDELA                                   | 1    |  |  |  |                     |
| 19       | 90201-09117         | WASHER, PLATE<br>ARANDELA PLANA                      | 2    |  |  |  |                     |
| 20       | 92990-08200         | WASHER, PLAIN<br>ARANDELA PLANA                      | 1    |  |  |  |                     |
| 21       | 92990-08100         | WASHER, SPRING<br>ARANDELA GROWER                    | 1    |  |  |  |                     |
| 22       | 90101-08M11         | BOLT<br>TORNILLO                                     | 1    |  |  |  |                     |
| 23       | 95380-08600         | NUT<br>TUERCA  | 1    |  |  |  |                     |
| 24       | 97095-06010         | BOLT<br>PERNO  | 1    |  |  |  |                     |
| 25       | 92995-06100         | WASHER, SPRING<br>ARANDELA                           | 1    |  |  |  |                     |
| 26       | 646-42591-00        | HOLDER, SHEAR PIN<br>SUJETADOR, PASADOR DE HELICE    | 1    |  |  |  |                     |
| 27       | 646-42121-00-94     | BRACKET<br>SOPORTE                                   | 1    |  |  |  | AP                  |

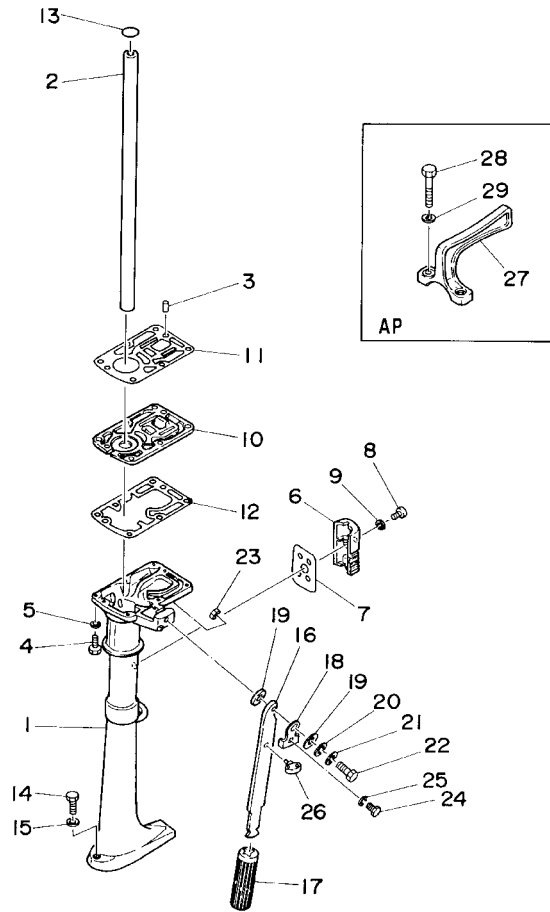


6A10010-4070

C1

FIG. 7 UPPER CASING

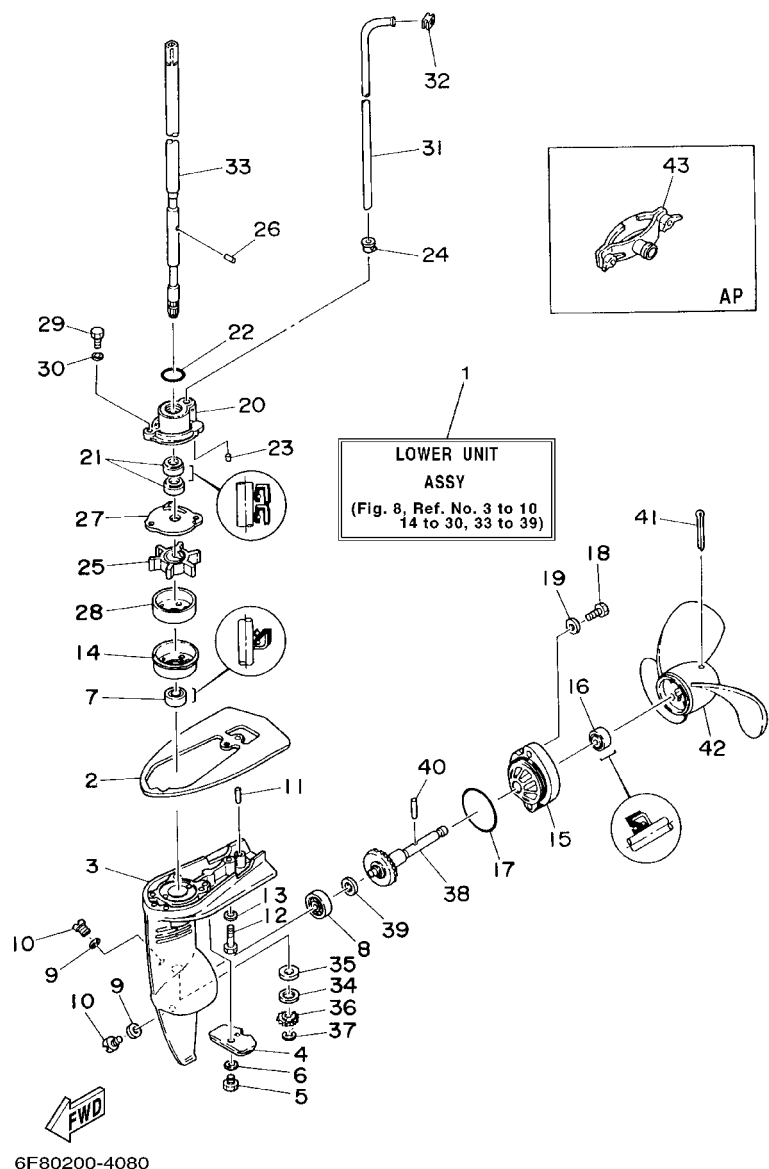
FUNDA SUPERIOR



| REF. NO. | PART NO. CODIGO NO. | DESCRIPTION DESCRIPTION        | 2CMH |  |  |  | REMARKS OBSERVACION |
|----------|---------------------|--------------------------------|------|--|--|--|---------------------|
| 28       | 97095-06055         | BOLT PERNO                     | 2    |  |  |  | AP                  |
| 29       | 92990-06100         | WASHER, SPRING ARANDELA GROWER | 2    |  |  |  | AP                  |
|          |                     |                                |      |  |  |  |                     |
|          |                     |                                |      |  |  |  |                     |
|          |                     |                                |      |  |  |  |                     |
|          |                     |                                |      |  |  |  |                     |
|          |                     |                                |      |  |  |  |                     |
|          |                     |                                |      |  |  |  |                     |
|          |                     |                                |      |  |  |  |                     |

FWD  
6A10010-4070

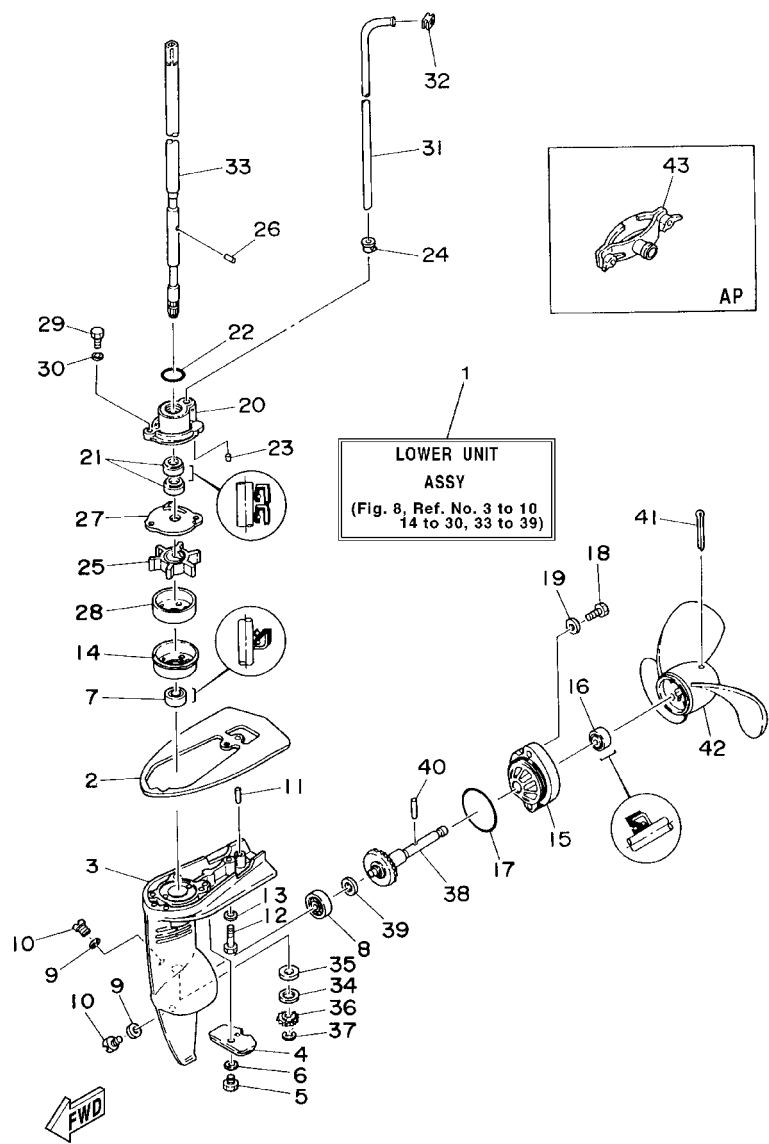




6F80200-4080

FIG. 8 LOWER CASING. DRIVE IMPULSOR E INFERIOR

| REF. NO. | PART NO. CODIGO NO. | DESCRIPTION DESCRIPTION                                  | 2CMH |  |  |  | REMARKS OBSERVACION |
|----------|---------------------|--|------|--|--|--|---------------------|
| 1        | 6A1-45300-03-4D     | LOWER UNIT ASSY<br>CONJUNTO UNIDAD INFERIOR              | 1    |  |  |  |                     |
| 2        | 6A1-45181-00-4D     | PLATE<br>PLACA   | 1    |  |  |  |                     |
| 3        | 6A1-45311-02-4D     | CASING, LOWER<br>FUNDA INFERIOR                          | 1    |  |  |  |                     |
| 4        | 6L5-45251-03        | ANODE<br>CATODE  | 1    |  |  |  |                     |
| 5        | 95895-06012         | BOLT, FLANGE<br>TORNILLO DE REBORDE                      | 1    |  |  |  |                     |
| 6        | 92990-06300         | WASHER, INTERNAL TOOTH<br>ARANDELA PLANA                 | 1    |  |  |  |                     |
| 7        | 93103-11051         | OIL SEAL<br>RETEN DE ACEITE                              | 1    |  |  |  |                     |
| 8        | 93306-00001         | BEARING<br>COJINETE                                      | 1    |  |  |  |                     |
| 9        | 90430-08020         | GASKET<br>JUNTA  | 2    |  |  |  |                     |
| 10       | 90340-08002         | PLUG, STRAIGHT SCREW<br>TORNILLO DE DRENAJE              | 2    |  |  |  |                     |
| 11       | 93605-18M04         | PIN, DOWEL<br>PASADOR DE CLAVIJA                         | 2    |  |  |  |                     |
| 12       | 97095-06030         | BOLT<br>PERNO  | 1    |  |  |  |                     |
| 13       | 92995-06600         | WASHER<br>ARANDELA                                       | 1    |  |  |  |                     |
| 14       | 6A1-44325-00        | PROTECTOR, OIL SEAL<br>PROTECTOR SELLO ACEITE            | 1    |  |  |  |                     |
| 15       | 6A1-45361-01-4D     | CAP, LOWER CASING<br>FUNDA INFERIOR                      | 1    |  |  |  |                     |
| 16       | 93103-10052         | OIL SEAL<br>RETEN DE ACEITE                              | 1    |  |  |  |                     |
| 17       | 93210-42101         | O-RING<br>JUNTA TORICA                                   | 1    |  |  |  |                     |
| 18       | 97090-06014         | BOLT<br>PERNO  | 2    |  |  |  |                     |
| 19       | 92990-06600         | WASHER, PLATE<br>ARANDELA PLANA                          | 2    |  |  |  |                     |
| 20       | 6A1-44312-01-94     | COVER, WATER PUMP HOUSING<br>CUBIERTA CAJA BOMBA DE AGUA | 1    |  |  |  |                     |
| 21       | 93101-11M44         | OIL SEAL<br>RETEN DE ACEITE                              | 2    |  |  |  |                     |
| 22       | 93210-19123         | O-RING<br>JUNTA TORICA                                   | 1    |  |  |  |                     |
| 23       | 93604-09068         | PIN, DOWEL<br>PASADOR DE CLAVIJA                         | 2    |  |  |  |                     |
| 24       | 646-44366-01        | DAMPER, WATER SEAL<br>GOMA DEL SELLO DE AGUA             | 1    |  |  |  |                     |
| 25       | 646-44352-01        | IMPELLER<br>IMPULSOR                                     | 1    |  |  |  |                     |
| 26       | 93604-09066         | PIN, DOWEL<br>PASADOR DE CLAVIJA                         | 1    |  |  |  |                     |
| 27       | 646-44323-00        | OUTER PLATE, CARTRIDGE<br>PLACA EXTERIOR DEL CARTUCHO    | 1    |  |  |  |                     |



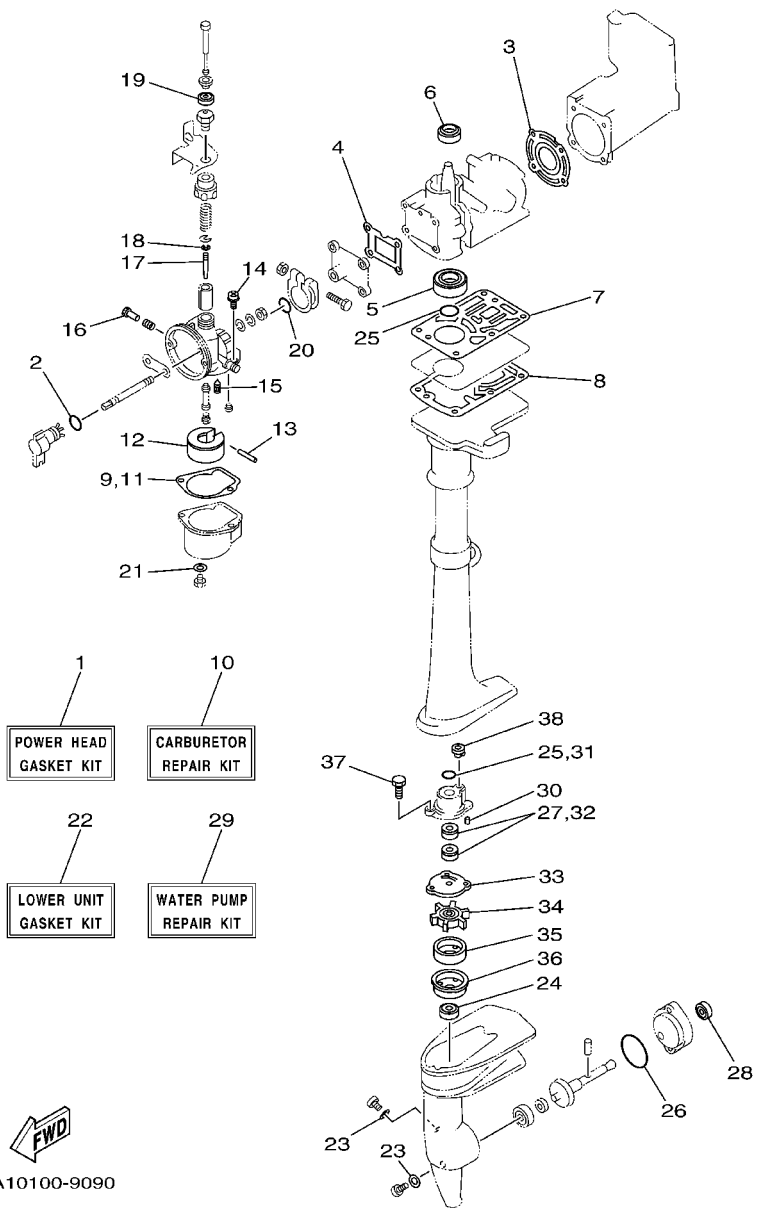
6F80200-4080

FIG. 8 LOWER CASING. DRIVE IMPULSOR E INFERIOR

| REF. NO. | PART NO. CODIGO NO. | DESCRIPTION DESCRIPTION                                      | 2CMH |  |  |  | REMARKS OBSERVACION |
|----------|---------------------|--|------|--|--|--|---------------------|
| 28       | 646-44322-00        | INSERT, CARTRIDGE<br>CARTUCHO                                | 1    |  |  |  |                     |
| 29       | 97095-05016         | BOLT<br>PERNO  | 2    |  |  |  |                     |
| 30       | 92995-05600         | WASHER<br>ARANDELA   | 2    |  |  |  |                     |
| 31       | 6A1-44361-00        | TUBE, WATER<br>TUBO DE AGUA                                  | 1    |  |  |  |                     |
| 32       | 646-44365-00        | DAMPER, WATER SEAL<br>HULE DE SELLO DE AGUA                  | 1    |  |  |  |                     |
| 33       | 6A1-45510-01        | DRIVE SHAFT ASSY<br>EJE DE MANDO COMPL.                      | 1    |  |  |  |                     |
| 34       | 90201-11M49         | WASHER, PLATE<br>ARANDELA PLANA                              | 1    |  |  |  |                     |
| 35       | 646-45534-00-03     | SHIM (T:0.30MM)<br>LAMINILLA DE AJUSTE (T:0.30MM)            | 1    |  |  |  | UR                  |
|          | 646-45534-00-04     | SHIM (T:0.40MM)<br>LAMINILLA DE AJUSTE (T:0.40MM)            | 1    |  |  |  | UR                  |
|          | 646-45534-00-05     | SHIM (T:0.50MM)<br>LAMINILLA DE AJUSTE (T:0.50MM)            | 1    |  |  |  | UR                  |
| 36       | 646-45551-00        | PINION<br>PINON  | 1    |  |  |  |                     |
| 37       | 99001-06600         | CIRCLIP<br>PRESILLA REDONDA                                  | 1    |  |  |  |                     |
| 38       | 646-45560-00        | GEAR<br>ENGRANE COMPLE 1                                     | 1    |  |  |  |                     |
| 39       | 646-45567-00-03     | SHIM (T:0.30MM)<br>LAMINILLA DE AJUSTE (T:0.30MM)            | 1    |  |  |  | UR                  |
|          | 646-45567-00-04     | SHIM (T:0.40MM)<br>LAMINILLA DE AJUSTE (T:0.40MM)            | 1    |  |  |  | UR                  |
|          | 646-45567-00-05     | SHIM (T:0.50MM)<br>LAMINILLA DE AJUSTE (T:0.50MM)            | 1    |  |  |  | UR                  |
| 40       | 90250-03M10         | PIN, STRAIGHT<br>PASADOR CILINDRICO                          | 1    |  |  |  |                     |
| 41       | 91490-30040         | PIN, COTTER<br>CHAVETA                                       | 1    |  |  |  |                     |
| 42       | 6A1-45943-00        | PROPELLER (3X7-1/4"X4"-A)<br>PROPELA (3X7-1/4"X4"-A)         | 1    |  |  |  | UR                  |
|          | 646-45942-01-EL     | PROPELLER (3X7-1/4"X5-1/2"-A)<br>PROPELA (3X7-1/4"X5-1/2"-A) | 1    |  |  |  | UR                  |
|          | 646-45944-01-EL     | PROPELLER (3X7-1/4"X4-1/2"-A)<br>PROPELA (3X7-1/4"X4-1/2"-A) | 1    |  |  |  | UR                  |
|          | 6F8-45942-01-EL     | PROPELLER (3X7-1/4"X5"-A)<br>PROPELA (3X7-1/4"X5"-A)         | 1    |  |  |  | UR                  |
| 43       | 646-28193-00        | PLUG, WATER CHECK<br>TAPON DE CONTROL DE LA AGUA             | 1    |  |  |  | AP                  |

FIG. 9 REPAIR KIT

ESTUCHE REPARATION

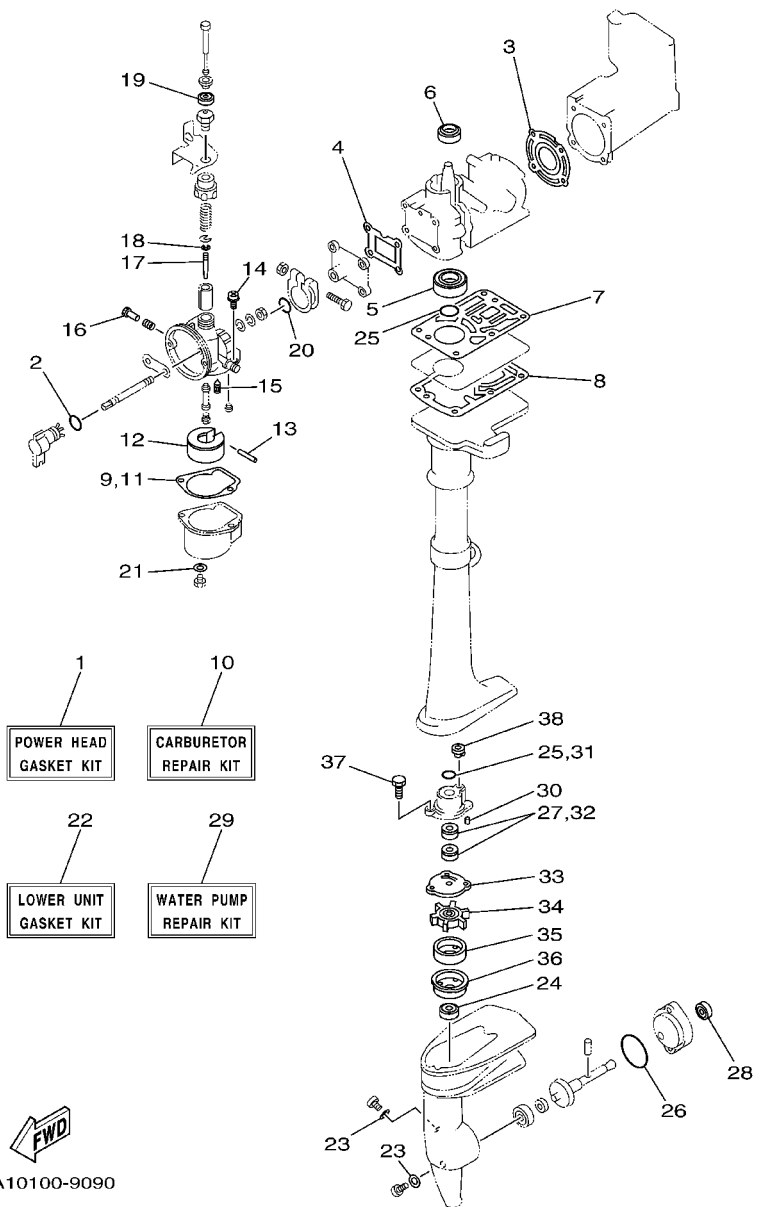


6A10100-9090

| REF. NO. | PART NO. CODIGO NO. | DESCRIPTION DESCRIPTION                                  | 2CMH | REMARKS OBSERVACION |
|----------|---------------------|--|------|---------------------|
| 1        | 6F8-W0001-A1        | POWER HEAD GASKET KIT<br>JUEGO DE EMPAQUE DE MOTOR       | 1    |                     |
| 2        | 93210-08M29         | .O-RING<br>.JUNTA TORICA                                 | 1    |                     |
| 3        | 6F8-11181-A1        | .GASKET, CYLINDER HEAD 1<br>.JUNTA, DE CULATA 1          | 1    |                     |
| 4        | 6A1-13621-A0        | .GASKET, VALVE SEAT<br>.JUNTA, DE VALV.DE EMPAQUE        | 1    |                     |
| 5        | 93102-15M32         | .OIL SEAL<br>.RETEN DE ACEITE                            | 1    |                     |
| 6        | 93102-20070         | .OIL SEAL<br>.RETEN DE ACEITE                            | 1    |                     |
| 7        | 6A1-14613-A0        | .GASKET, EXHAUST PIPE<br>.JUNTA, TUBO DE ESCAPE          | 1    |                     |
| 8        | 646-14623-A1        | .GASKET, EXHAUST PIPE<br>.EMPAQUE                        | 1    |                     |
| 9        | 6A1-14384-00        | .GASKET, FLOAT CHAMBER<br>.EMPAQUE DE CAMARA DE BOIA     | 1    |                     |
| 10       | 6F8-W0093-02        | CARBURETOR REPAIR KIT<br>KIT REPARACION CARBURADOR       | 1    |                     |
| 11       | 6A1-14384-00        | .GASKET, FLOAT CHAMBER<br>.EMPAQUE DE CAMARA DE BOIA     | 1    |                     |
| 12       | 6A1-14385-00        | .FLOAT<br>.BOIA  | 1    |                     |
| 13       | 6A1-14386-00        | .PIN, FLOAT<br>.PASADOR DE BOIA                          | 1    |                     |
| 14       | 97980-04110         | .SCREW, WITH WASHER<br>.TORNILLO, CON ARANDELA           | 2    |                     |
| 15       | 6A1-14392-00        | .VALVE, NEEDLE<br>.VALVULA DE AGUJA                      | 1    |                     |
| 16       | 646-14211-02        | .SCREW, PILOT ADJUSTING<br>.TORNILLO DE AJUSTE DE PILOTO | 1    |                     |
| 17       | 6F8-14116-00        | .NEEDLE<br>.AGUJA DE SURTIDOR                            | 1    |                     |
| 18       | 646-14137-00        | .CLIP<br>.PRESILLA                                       | 1    |                     |
| 19       | 646-14169-00        | .CAP<br>.FUNDA   | 1    |                     |
| 20       | 646-14229-01        | .O-RING<br>.EJE DE AHOGADOR                              | 1    |                     |
| 21       | 646-14198-01        | .GASKET<br>.EMPAQUE                                      | 1    |                     |
| 22       | 6A1-W0001-23        | LOWER UNIT GASKET KIT<br>JUEGO DE JUNTA UNIDAD INFERIOR  | 1    |                     |
| 23       | 90430-08020         | .GASKET<br>.JUNTA  | 2    |                     |
| 24       | 93103-11051         | .OIL SEAL<br>.RETEN DE ACEITE                            | 1    |                     |
| 25       | 93210-19123         | .O-RING<br>.JUNTA TORICA                                 | 1    |                     |
| 26       | 93210-42101         | .O-RING<br>.JUNTA TORICA                                 | 1    |                     |
| 27       | 93101-11M44         | .OIL SEAL<br>.RETEN DE ACEITE                            | 2    |                     |

FIG. 9 REPAIR KIT

ESTUCHE REPARATION



| REF. NO. | PART NO. CODIGO NO. | DESCRIPTION DESCRIPTION                                 | 2CMH |  |  |  | REMARKS OBSERVACION |
|----------|---------------------|---|------|--|--|--|---------------------|
| 28       | 93103-10052         | .OIL SEAL<br>.RETEN DE ACEITE                           | 1    |  |  |  |                     |
| 29       | 6A1-W0078-02        | WATER PUMP REPAIR KIT<br>ESTUCHE REPARACION BOMBA AGUA  | 1    |  |  |  |                     |
| 30       | 93604-09068         | .PIN, DOWEL<br>.PASADOR DE CLAVIJA                      | 2    |  |  |  |                     |
| 31       | 93210-19123         | .O-RING<br>.JUNTA TORICA                                | 1    |  |  |  |                     |
| 32       | 93101-11M44         | .OIL SEAL<br>.RETEN DE ACEITE                           | 2    |  |  |  |                     |
| 33       | 646-44323-00        | .OUTER PLATE, CARTRIDGE<br>.PLACA EXTERIOR DEL CARTUCHO | 1    |  |  |  |                     |
| 34       | 646-44352-01        | .IMPELLER<br>.IMPULSOR                                  | 1    |  |  |  |                     |
| 35       | 646-44322-00        | .INSERT, CARTRIDGE<br>.CARTUCHO                         | 1    |  |  |  |                     |
| 36       | 6A1-44325-00        | .PROTECTOR, OIL SEAL<br>.PROTECTOR SELLO ACEITE         | 1    |  |  |  |                     |
| 37       | 97095-05016         | .BOLT<br>.PERNO   | 2    |  |  |  |                     |
| 38       | 646-44366-01        | .DAMPER, WATER SEAL<br>.GOMA DEL SELLO DE AGUA          | 1    |  |  |  |                     |
|          |                     |   |      |  |  |  |                     |
|          |                     |   |      |  |  |  |                     |
|          |                     |   |      |  |  |  |                     |
|          |                     |   |      |  |  |  |                     |

NUMERICAL INDEX  
INDICE NUMERICO

| PART NO.<br>CODIGO NO. | REF.<br>NO. | PART NO.<br>CODIGO NO. | REF.<br>NO. | PART NO.<br>CODIGO NO. | REF.<br>NO. | PART NO.<br>CODIGO NO. | REF.<br>NO. | PART NO.<br>CODIGO NO. | REF.<br>NO. | PART NO.<br>CODIGO NO. | REF.<br>NO. |
|------------------------|-------------|------------------------|-------------|------------------------|-------------|------------------------|-------------|------------------------|-------------|------------------------|-------------|
| 6A1-W0001-23           | 9-22        | 6A1-14314-00           | 3-6         | 6A1-24610-01           | 1-10        | 646-44366-01           | 9-38        | 90201-35300            | 2-24        | 92995-06600            | 5-16        |
| 6F8-W0001-A1           | 9-1         | 646-14321-00           | 3-4         | 646-24615-01           | 1-14        | 6A1-45111-02-4D        | 7-1         | 90202-08022            | 6-11        |                        | 5-19        |
| 6A1-W0004-00           | 2-34        | 646-14331-01           | 3-18        | 6A1-24631-00           | 1-11        | 6A1-45113-00           | 7-2         | 90243-04M01            | 6-8         |                        | 7-5         |
| 6A1-W0070-14           | 1-29        | 6A1-14341-01           | 3-10        | 6A1-28176-00           | 1-41        | 6A1-45115-00           | 7-7         | 90250-03M10            | 8-40        |                        | 7-15        |
| 6A1-W0078-02           | 9-29        | 6A1-14343-52           | 3-11        | 646-28193-00           | 8-43        | 6A1-45151-00           | 7-6         | 90280-04M06            | 5-5         |                        | 8-13        |
| 6F8-W0090-64-1S        | 2-1         | 6A1-14356-00           | 3-31        | 6A1-41137-00-5B        | 7-10        | 6A1-45181-00-4D        | 8-2         | 90336-06001            | 2-3         | 93101-11M44            | 8-21        |
| 6F8-W0093-02           | 9-10        | 646-14357-00           | 3-32        | 6A1-41211-00           | 1-43        | 6L5-45251-03           | 8-4         | 90340-08002            | 8-10        |                        | 9-27        |
| 656-W2810-02           | 1-27        | 6A1-14358-01           | 3-22        | 6A1-41212-01           | 1-42        | 6A1-45300-03-4D        | 8-1         | 90340-04005            | 1-12        |                        | 9-32        |
| 6A1-11111-02-1S        | 2-10        | 646-14358-00           | 3-30        | 6A1-41223-00           | 1-50        | 6A1-45311-02-4D        | 8-3         | 90430-08020            | 8-9         | 93102-15M32            | 2-25        |
| 6F8-11181-A1           | 2-11        | 6A1-14365-00           | 1-46        | 6A1-41271-00           | 1-6         | 6A1-45361-01-4D        | 8-15        |                        | 9-23        |                        | 9-5         |
|                        | 9-3         | 6A1-14381-02           | 3-12        | 6A1-41637-00           | 1-48        | 6A1-45510-01           | 8-33        | 90430-14117            | 1-13        | 93102-20070            | 2-23        |
| 624-11379-00           | 2-5         | 6A1-14384-00           | 3-9         | 6A1-42111-00-4D        | 7-16        | 646-45534-00-03        | 8-35        | 90445-07254            | 2-31        |                        | 9-6         |
| 6A1-11400-00           | 2-15        |                        | 9-9         | 646-42119-02           | 7-17        | 646-45534-00-04        | 8-35        | 90464-08M07            | 5-20        | 93103-10052            | 8-16        |
| 646-11412-01           | 2-16        |                        | 9-11        | 646-42121-00-94        | 7-27        | 646-45534-00-05        | 8-35        | 90465-06M86            | 2-8         |                        | 9-28        |
| 6A1-11422-00           | 2-17        | 6A1-14385-00           | 3-28        | 6A1-42181-00           | 7-18        | 646-45551-00           | 8-36        | 90467-06016            | 2-32        | 93103-11051            | 8-7         |
| 6F8-11610-00           | 2-27        |                        | 9-12        | 646-42528-00           | 6-21        | 646-45560-00           | 8-38        | 90467-08004            | 1-26        |                        | 9-24        |
| 6F8-11610-10           | 2-27        | 6A1-14386-00           | 3-27        | 646-42537-01           | 6-16        | 646-45567-00-03        | 8-39        | 90501-10260            | 1-17        | 93210-08M29            | 1-7         |
| 6F8-11610-20           | 2-27        |                        | 9-13        | 646-42591-00           | 7-26        | 646-45567-00-04        | 8-39        | 90501-10374            | 1-15        |                        | 9-2         |
| 6F8-11631-00-98        | 2-26        | 6A1-14392-00           | 3-26        | 6A1-42677-10           | 1-3         | 646-45567-00-05        | 8-39        | 90501-12M16            | 1-52        | 93210-19123            | 7-13        |
| 646-11633-00           | 2-29        |                        | 9-15        | 6A1-42678-12           | 2-14        | 6F8-45942-01-EL        | 8-42        | 90501-12272            | 6-23        |                        | 8-22        |
| 6F8-11635-00           | 2-26        | 6A1-14441-02           | 1-1         | 6A1-42741-11           | 1-28        | 646-45942-01-EL        | 8-42        | 91490-30040            | 8-41        |                        | 9-25        |
| 6F8-11636-00           | 2-26        | 6A1-14442-00           | 1-4         | 6A1-42771-11           | 1-30        | 6A1-45943-00           | 8-42        | 91690-20006            | 6-28        |                        | 9-31        |
| 646-11651-02           | 2-20        | 6A1-14448-00           | 3-33        | 664-42791-00           | 2-40        | 646-45944-01-EL        | 8-42        | 91690-30014            | 6-5         | 93210-42101            | 8-17        |
| 646-11681-00           | 2-18        | 650-14485-03           | 2-4         | 664-42791-10           | 2-40        | 6A1-81362-00           | 5-6         | 92903-06100            | 5-10        |                        | 9-26        |
| 6A1-13610-00           | 2-33        | 6A1-14497-00           | 3-3         | 6A1-43111-03-4D        | 6-1         | 6G1-82370-21           | 5-12        | 92903-06600            | 2-7         | 93210-46044            | 6-17        |
| 6A1-13621-A0           | 2-35        | 6A1-14613-A0           | 7-11        | 6A1-43112-00-4D        | 6-2         | 663-82370-01           | 5-12        |                        | 5-11        | 93306-00001            | 8-8         |
|                        | 9-4         |                        | 9-7         | 6A1-43113-01           | 6-12        | 6A1-82375-11           | 1-57        | 92903-10100            | 5-8         | 93306-00409            | 2-21        |
| 6F8-14116-00           | 3-15        | 646-14623-A1           | 7-12        | 620-43114-00           | 6-9         | 6A1-82541-00           | 1-54        | 92907-04200            | 1-16        | 93306-30204            | 2-22        |
|                        | 9-17        |                        | 9-8         | 6E0-43116-01           | 6-6         | 6A1-82550-02           | 1-53        | 92990-05100            | 1-44        | 93310-210V1            | 2-28        |
| 6A1-14125-01           | 3-20        | 6F8-15100-61-1S        | 2-2         | 6E0-43118-01           | 6-7         | 6A1-85520-00           | 5-3         | 92990-05600            | 1-34        | 93310-31439            | 2-19        |
| 6A1-14127-01           | 3-21        | 6A1-15705-00           | 4-8         | 6A1-43191-00           | 6-3         | 6A1-85540-01           | 5-13        |                        | 1-60        | 93450-11021            | 2-30        |
| 646-14136-00           | 3-17        | 6A1-15710-00           | 4-1         | 6A1-43192-00           | 6-4         | 6A1-85550-00           | 5-1         |                        | 3-35        | 93604-09066            | 8-26        |
| 646-14137-00           | 3-16        | 6A1-15711-00           | 4-2         | 6A1-43311-02-4D        | 6-14        | 6A1-85560-00           | 5-2         | 92990-06100            | 1-36        | 93604-09068            | 8-23        |
|                        | 9-18        | 6A1-15713-00           | 4-6         | 6A1-43312-00-4D        | 6-15        | 6A1-85570-00           | 5-17        |                        | 1-39        |                        | 9-30        |
| 646-14158-00           | 3-2         | 6A1-15714-00           | 4-3         | 6A1-43351-00           | 6-24        | 90101-08M11            | 7-22        |                        | 7-29        | 93605-15065            | 7-3         |
| 6A1-14163-00           | 3-7         | 6A1-15717-00           | 4-7         | 6A1-43371-00           | 6-25        | 90101-08217            | 6-10        | 92990-06300            | 8-6         | 93605-18M04            | 8-11        |
| 646-14169-00           | 3-5         | 6A1-15723-00-94        | 4-14        | 6A1-44312-01-94        | 8-20        | 90119-06M98            | 6-18        | 92990-06600            | 1-37        | 93700-06M03            | 6-20        |
|                        | 9-19        | 6A1-15741-00           | 4-5         | 646-44322-00           | 8-28        | 90122-06004            | 6-22        |                        | 1-40        | 94702-00040            | 2-41        |
| 646-14198-01           | 3-14        | 6A1-15755-02           | 4-10        |                        | 9-35        | 90151-04M04            | 1-5         |                        | 7-9         | 94702-00272            | 2-41        |
|                        | 9-21        | 6A1-15767-00           | 4-4         | 646-44323-00           | 8-27        | 90170-10M33            | 5-7         |                        | 8-19        | 95380-06600            | 1-20        |
| 646-14211-02           | 3-24        | 6A1-15771-01           | 2-36        |                        | 9-33        | 90173-05M00            | 1-2         | 92990-08100            | 7-21        |                        | 6-19        |
|                        | 9-16        | 6A1-24110-01           | 1-8         | 6A1-44325-00           | 8-14        | 90175-06008            | 6-27        | 92990-08200            | 7-20        | 95380-08600            | 6-13        |
| 6A1-14212-00           | 3-23        | 6A1-24141-00           | 2-38        |                        | 9-36        | 90183-05M00            | 1-32        | 92995-05600            | 8-30        |                        | 7-23        |
| 6F8-14217-00           | 3-34        | 6A1-24181-00           | 1-23        | 646-44352-01           | 8-25        |                        | 1-58        | 92995-06100            | 1-21        | 95380-08700            | 1-55        |
| 646-14229-01           | 3-8         | 6A1-24198-00           | 1-9         |                        | 9-34        | 90201-06M30            | 1-22        |                        | 5-15        | 95895-06010            | 2-39        |
|                        | 9-20        | 646-24241-00           | 1-18        | 6A1-44361-00           | 8-31        | 90201-06040            | 6-26        |                        | 7-25        | 95895-06012            | 8-5         |
| 6F8-14301-03           | 3-1         | 6A1-24311-00           | 1-25        | 646-44365-00           | 8-32        | 90201-09117            | 7-19        | 92995-06600            | 2-13        | 97013-06030            | 5-9         |
| 646-14312-08           | 3-19        | 6A1-24500-02           | 1-24        | 646-44366-01           | 8-24        | 90201-11M49            | 8-34        |                        | 4-13        | 97013-06040            | 2-6         |

NUMERICAL INDEX  
INDICE NUMERICO

| PART NO.<br>CODIGO NO. | REF.<br>NO. | PART NO.<br>CODIGO NO. | REF.<br>NO. | PART NO.<br>CODIGO NO. | REF.<br>NO. | PART NO.<br>CODIGO NO. | REF.<br>NO. | PART NO.<br>CODIGO NO. | REF.<br>NO. |
|------------------------|-------------|------------------------|-------------|------------------------|-------------|------------------------|-------------|------------------------|-------------|
| 97013-06060            | 2 - 37      |                        |             |                        |             |                        |             |                        |             |
| 97090-06014            | 8 - 18      |                        |             |                        |             |                        |             |                        |             |
| 97095-05010            | 1 - 45      |                        |             |                        |             |                        |             |                        |             |
| 97095-05016            | 8 - 29      |                        |             |                        |             |                        |             |                        |             |
|                        | 9 - 37      |                        |             |                        |             |                        |             |                        |             |
| 97095-06010            | 7 - 24      |                        |             |                        |             |                        |             |                        |             |
| 97095-06016            | 4 - 12      |                        |             |                        |             |                        |             |                        |             |
| 97095-06018            | 1 - 19      |                        |             |                        |             |                        |             |                        |             |
| 97095-06020            | 5 - 18      |                        |             |                        |             |                        |             |                        |             |
| 97095-06025            | 2 - 12      |                        |             |                        |             |                        |             |                        |             |
|                        | 7 - 4       |                        |             |                        |             |                        |             |                        |             |
| 97095-06030            | 7 - 14      |                        |             |                        |             |                        |             |                        |             |
|                        | 8 - 12      |                        |             |                        |             |                        |             |                        |             |
| 97095-06055            | 7 - 28      |                        |             |                        |             |                        |             |                        |             |
| 97322-06012            | 4 - 9       |                        |             |                        |             |                        |             |                        |             |
| 97880-05008            | 1 - 56      |                        |             |                        |             |                        |             |                        |             |
| 97880-05010            | 1 - 33      |                        |             |                        |             |                        |             |                        |             |
| 97880-05012            | 1 - 59      |                        |             |                        |             |                        |             |                        |             |
| 97880-06016            | 7 - 8       |                        |             |                        |             |                        |             |                        |             |
| 97880-06025            | 1 - 38      |                        |             |                        |             |                        |             |                        |             |
| 97880-06040            | 1 - 35      |                        |             |                        |             |                        |             |                        |             |
| 97885-05020            | 5 - 4       |                        |             |                        |             |                        |             |                        |             |
| 97885-05025            | 1 - 51      |                        |             |                        |             |                        |             |                        |             |
| 97885-06016            | 5 - 14      |                        |             |                        |             |                        |             |                        |             |
| 97890-05006            | 3 - 13      |                        |             |                        |             |                        |             |                        |             |
| 97980-04110            | 3 - 25      |                        |             |                        |             |                        |             |                        |             |
|                        | 9 - 14      |                        |             |                        |             |                        |             |                        |             |
| 98580-03005            | 3 - 29      |                        |             |                        |             |                        |             |                        |             |
| 98703-06012            | 4 - 15      |                        |             |                        |             |                        |             |                        |             |
| 98780-03010            | 1 - 49      |                        |             |                        |             |                        |             |                        |             |
| 98780-05012            | 1 - 31      |                        |             |                        |             |                        |             |                        |             |
| 99001-04600            | 1 - 47      |                        |             |                        |             |                        |             |                        |             |
| 99001-06600            | 8 - 37      |                        |             |                        |             |                        |             |                        |             |
| 99530-10014            | 2 - 9       |                        |             |                        |             |                        |             |                        |             |

2CMH  
PARTS CATALOGUE  
©2002 by Yamaha Motor Co., Ltd.  
1st Edition, Aug. 2002  
All rights reserved.  
Any reprinting or unauthorized use  
without the written permission of  
Yamaha Motor Co., Ltd.  
is expressly prohibited.

2CMH  
CATALOGO DE REPUESTOS  
©2002, Yamaha Motor Co., Ltd.  
1ª edición, Ag. 2002  
Reservados todos los derechos.  
Se prohíbe expresamente toda reimpresión  
o utilización no autorizada de este manual  
sin el consentimiento por escrito de  
Yamaha Motor Co., Ltd.