

**PARTS
CATALOGUE
CATALOGUE
DE PIÈCES DÉTACHÉES**

75CETO'03(67P1)

90AETO'03(6H14)

YAMAHA
GENUINE
Parts & Accessories

2B6H1-300F1

FOREWORD

This Parts Catalogue is related to the parts for the model(s) in the below frame. When you are ordering replacement parts, please refer to this Parts Catalogue and quote both part numbers and part names correctly.

75CETO'03(67P1), 90AETO'03(6H14)

1. Modifications or additions which have been made after issue of the Parts Catalogue will be announced in the Yamaha Parts News.
It is advisable that you make necessary corrections to the Parts Catalogue according to the Yamaha Parts News.

2. Abbreviations

The Following abbreviations are used in this Parts Catalogue.

“UR” Use specified parts number.

“UN” Use as many as needed.

“AP” Alternate Parts

“LM” Local Made
(Parts need to be ordered locally)

“O/S” Over Size

3. Parts, which are to be supplied in an assembly, are listed with a dot(.) in front of the part name as shown below.

EXAMPLE

CARBURETOR ASSY

.JET, PILOT

.NOZZLE, MAIN

4. Number of component for assembly

The numeral appearing to the right of each component part indicates the quantity of parts for each assembly unit.

EXAMPLE

PART NO.	DESCRIPTION	u	u	u	u	REMARKS
6E0-85500-70	C.D.I. MAGNETO ASSY	1				
6E0-85550-70	.ROTOR ASSY	1				
6E0-15723-00-94..	PULLY, STARTER	1				

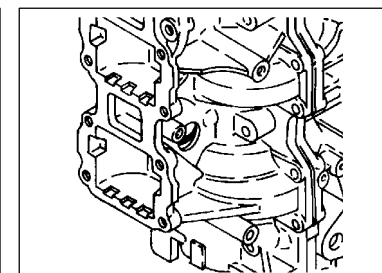
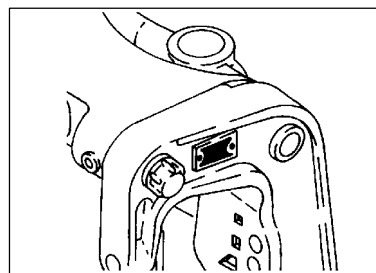
5. Quantity Column Information

NAME for Q'TY COLUMN	APPLICABLE MODEL
75C	75CETO
90A	90AETO

6. Applicable Starting Serial No. and Color Code

1) Engine Starting Sserial No.

75CETO L 692 : 1000001	90AETO L 6H1 : 1000001
------------------------	------------------------



2) Color Code

Color Code	Color Name	Abbreviation
004D	DARK BLUISH GRAY METALLIC 2	DBNM2

7. Note that the illustrations for reference in finding parts numbers, not to be used for assembling. When assembling, please use the applicable service manual.

8. The asterisk (*) before a reference number indicates modification items after the first edition.

CONTENTS

SHEET 1/2

TOP COWLING	A4
CYLINDER. CRANKCASE	A6
CRANKSHAFT. PISTON	B2
INTAKE	B4
CARBURETOR	B5
OIL PUMP	B7
FUEL	C2
GENERATOR	C4
ELECTRICAL	C5
STARTING MOTOR	C7
BOTTOM COWLING	D1
CONTROL	D3
BRACKET 1	D5
BRACKET 2	D7
POWER TRIM & TILT ASSY	E2
UPPER CASING	E5
LOWER CASING. DRIVE 1	E6
LOWER CASING. DRIVE 2	F3
FUEL TANK	F5
STEERING GUIDE	F6
REMOTE CONTROL BOX	F7

INDEX

NUMERICAL INDEX	G1
-----------------------	----

SHEET 2/2

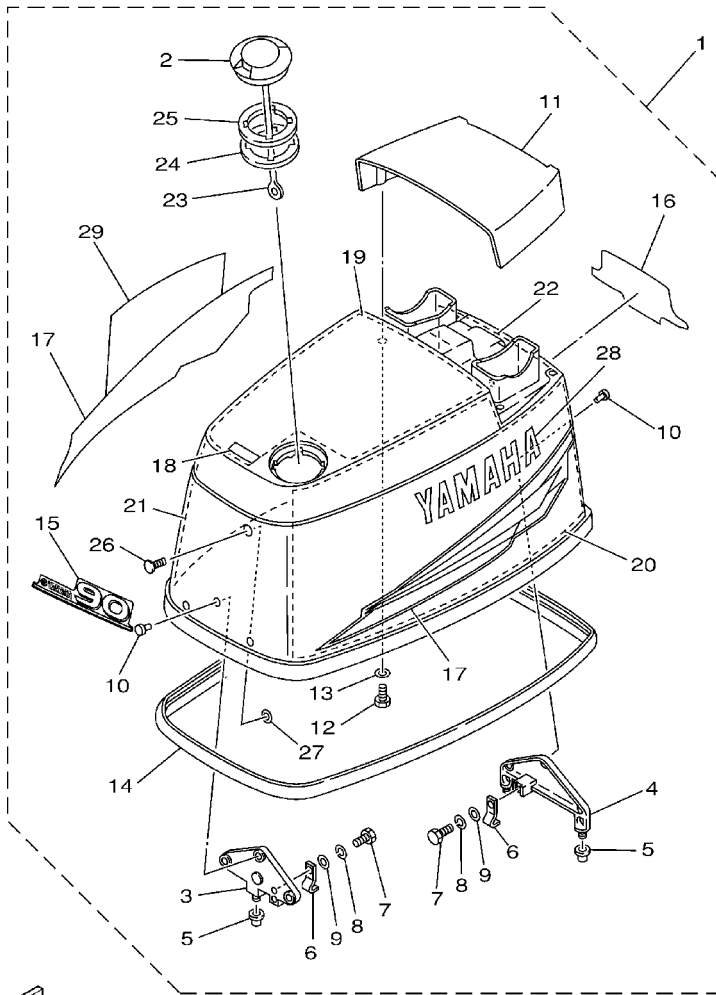
REMOTE CONTROL ASSY	A4*
METER	A7*
REPAIR KIT 1	B1*
REPAIR KIT 2	B3*

INDEX

NUMERICAL INDEX	G1*
-----------------------	-----

FIG. 1 TOP COWLING

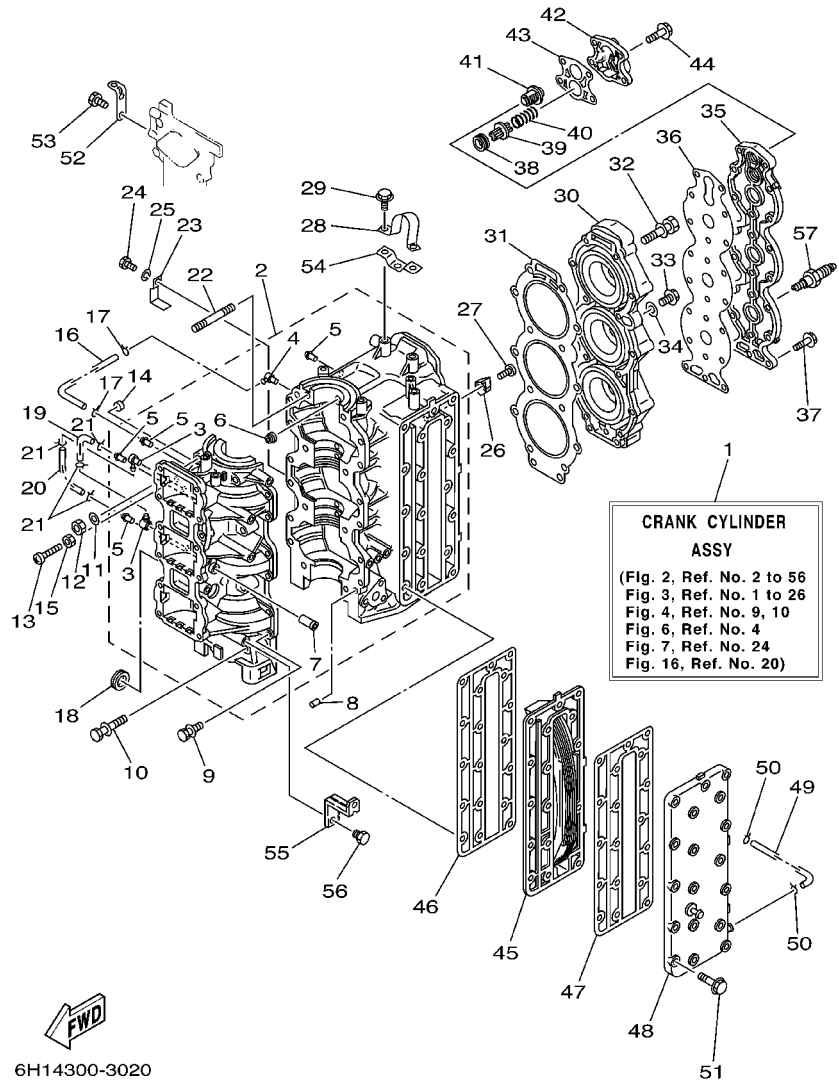
CAPOT SUPERIEUR



6H12200-2010

REF. NO.	PART NO. NO. PIECES	DESCRIPTION DESCRIPTION	75C	90A	REMARKS REMARQUES
1	6H1-42610-60-4D	TOP COWLING ASSY CAPOT (ENS.)		1	
	6H0-42610-B0-4D	TOP COWLING ASSY CAPOT (ENS.)	1		
2	63D-2177H-00	.DISK CAP 2 .BOUCHON DE DISQUE 2	1	1	
3	6H1-42647-00-94	.HOLDER, CLAMP BAND .SUPPORT, SANDOW DE SERRAGE	1	1	
4	6H1-42649-00-94	.HOLDER, CLAMP BAND .SUPPORT, SANDOW DE SERRAGE	1	1	
5	663-42662-00	.DAMPER .AMORTISSEUR	3	3	
6	688-42652-10	.HOOK .CROCHET	2	2	
7	97095-06016	.BOLT .BOULON	2	2	
8	92995-06100	.WASHER, SPRING .RONDELLE, GROWER	2	2	
9	92995-06600	.WASHER .RONDELLE	2	2	
10	90266-06009	.RIVET .RIVET	6	6	
11	6H1-42613-01-4D	.MOLDING, AIR DUCT .MANCHON A AIR	1	1	
12	97095-06016	.BOLT .BOULON	4	4	
13	92995-06600	.WASHER .RONDELLE	4	4	
14	688-42615-00	.SEAL .JOINT	1	1	
15	6H1-42677-60	.GRAPHIC, FRONT .ADHESIF, AVANT		1	
	6H0-42677-A0	.GRAPHIC, FRONT .ADHESIF, AVANT	1		
16	6H1-42678-30	.GRAPHIC, REAR .ADHESIF, ARRIERE		1	
	6H0-42678-90	.GRAPHIC, REAR .ADHESIF, ARRIERE	1		
17	6H1-W0070-30	.GRAPHIC SET .JEU DIEMBLEMES	1	1	
18	6H1-13436-00	.MARK .ADHESIF		1	
	6H1-13436-41	.MARK .ADHESIF	1		
19	6H1-42617-10	.DAMPER, FORM .BOURRELET, CAOUTCHOUC	1	1	
20	6H1-42619-00	.DAMPER, FORM .BOURRELET, CAOUTCHOUC	1	1	
21	6H1-42627-00	.DAMPER, FORM .BOURRELET, CAOUTCHOUC	1	1	
22	6H1-42637-00	.DAMPER, FORM .BOURRELET, CAOUTCHOUC	1	1	
23	6H1-42694-00	.BAND .COLLIER	1	1	

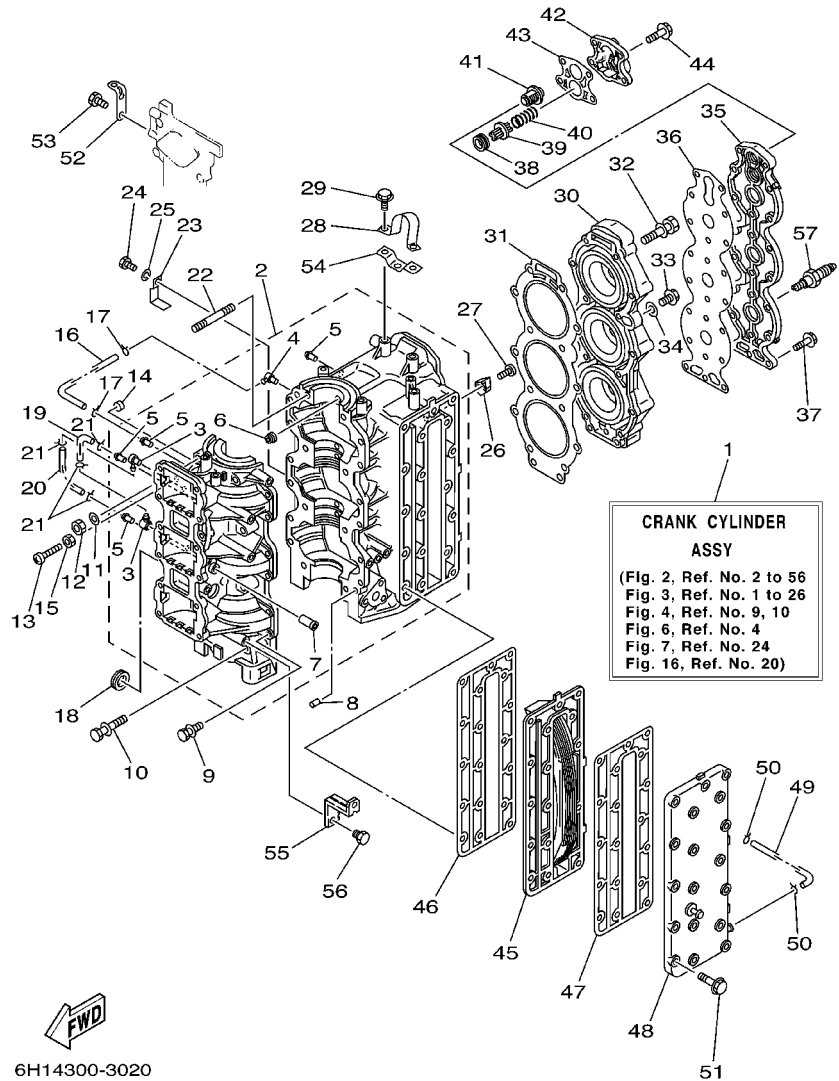
FIG. 2 CYLINDER. CRANKCASE CYLINDRE. CARTER



6H14300-3020

REF. NO.	PART NO. NO. PIECES	DESCRIPTION DESCRIPTION	75C	90A	REMARKS REMARQUES
1	6H1-W0090-44-1S	CRANK CYLINDER ASSY EMBIELLAGE CYLINDRE (ENS.)	1	1	
2	6H1-15100-02-1S	CRANKCASE ASSY CARTER DE MOTEUR COMPLET	1	1	
3	688-11370-01	.CHECK VALVE ASSY .CLAPET (ENS.)	2	2	
4	650-11370-01	.CHECK VALVE ASSY .CLAPET (ENS.)	1	1	
5	624-14485-00	.PIPE, JOINT .DURITE	4	4	
6	663-11518-01	.LOCK, BEARING .CENTREUR, ROULEMENT	3	3	
7	650-24378-00	.PIPE, JOINT 4 .DURITE RACCORDEMENT 4	1	1	
8	93608-12063	PIN, DOWEL AXE	2	2	
9	90119-06M12	BOLT, WITH WASHER BOULON, AVEC RONDELLE	12	12	
10	90119-10005	BOLT, WITH WASHER BOULON, AVEC RONDELLE	6	6	
11	90201-10008	WASHER, PLATE RONDELLE, PLATE	2	2	
12	95313-10600	NUT ECROU, HEXAGONAL	2	2	
13	90157-06014	SCREW, PAN HEAD VIS, TETE TRONCONIQUE	1	1	
14	688-44194-00	CAP CAPUCHON	1	1	
15	95303-06700	NUT ECROU	1	1	
16	90445-07260	HOSE (L276) DURITE (L276)	1	1	
17	90467-06016	CLIP JONC	2	2	
18	90480-24M04	GROMMET PASSE-FIL	1	1	
19	90445-07M00	HOSE (L100) DURITE (L100)	1	1	
20	90445-07M23	HOSE (L408) DURITE (L408)	1	1	
21	90467-06016	CLIP JONC	4	4	
22	90116-10M06	BOLT, STUD GOUJON	2	2	
23	90465-12M03	CLAMP BRIDE	1	1	
24	97095-06014	BOLT BOULON	1	1	
25	92995-06100	WASHER, SPRING RONDELLE, GROWER	1	1	
26	688-11325-00	ANODE ANODE	2	2	
27	98780-04015	SCREW, FLAT HEAD VIS A TETE FRAISEE	2	2	

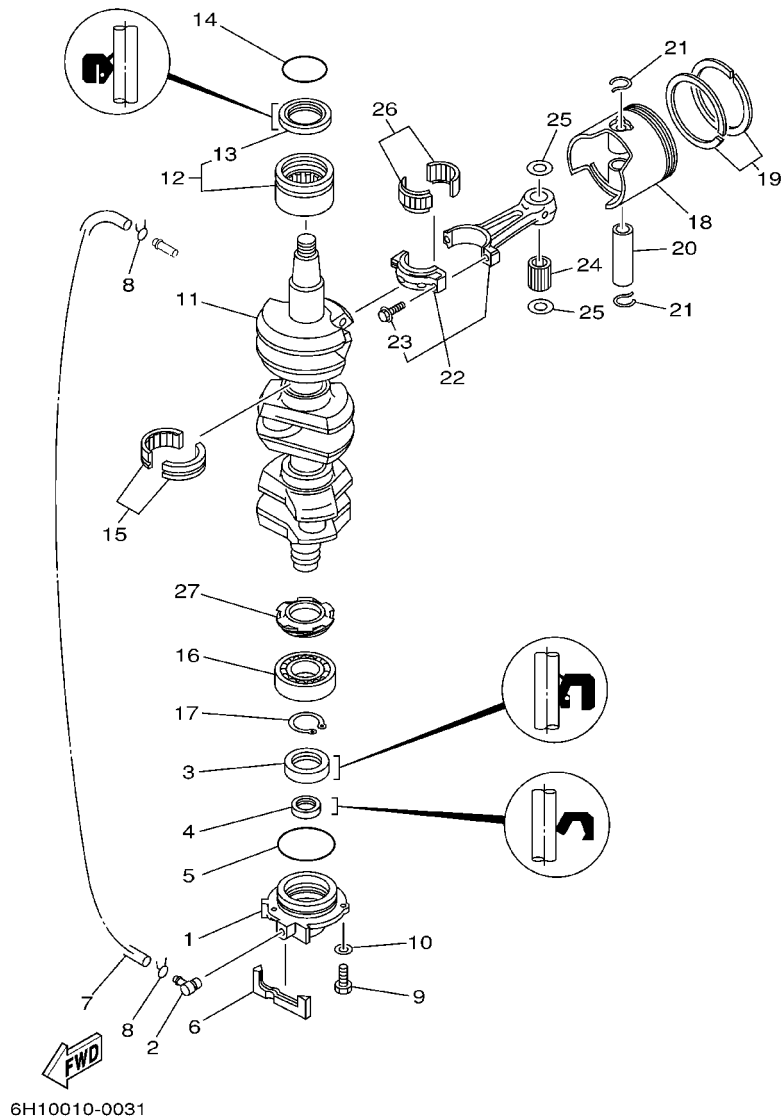
FIG. 2 CYLINDER. CRANKCASE CYLINDRE. CARTER



REF. NO.	PART NO. NO. PIECES	DESCRIPTION DESCRIPTION	75C	90A	REMARKS REMARQUES
28	688-11119-01	HANGER, ENGINE ANNEAU, LEVAGE	1	1	
29	90119-08MA3	BOLT, WITH WASHER BOULON, AVEC RONDELLE	2	2	
30	6H1-11111-01-1S	HEAD, CYLINDER 1 CULASSE	1	1	
31	688-11181-A1	GASKET, CYLINDER HEAD 1 JOINT, DE CULASSE 1	1	1	
32	90119-08MA8	BOLT, WITH WASHER BOULON, AVEC RONDELLE	14	14	
33	90340-14M00	PLUG, STRAIGHT SCREW PLOT, FILETE DROIT	1	1	
34	90430-14115	GASKET JOINT	1	1	
35	688-11191-00-1S	COVER, CYLINDER HEAD 1 COUVERCLE, CULASSE 1	1	1	
36	688-11193-A1	GASKET, HEAD COVER 1 JOINT, COUVERCLE DE CULASSE 1	1	1	
37	90119-06MA3	BOLT, WITH WASHER BOULON, AVEC RONDELLE	18	18	
38	90480-20M05	GROMMET PASSE-FIL	1	1	
39	688-12416-00	VALVE, PRESSURE CONTROL SOUPE DE CONTROLEUR PRESS	1	1	
40	90501-16M11	SPRING, COMPRESSION RESSORT, COMPRESSION	1	1	
41	688-12411-10	THERMOSTAT THERMOSTAT	1	1	
42	688-12413-00-1S	COVER, THERMOSTAT COUVERCLE, THERMOSTAT	1	1	
43	688-12414-A1	GASKET, COVER JOINT, COUVERCLE	1	1	
44	90119-06MA5	BOLT, WITH WASHER BOULON, AVEC RONDELLE	4	4	
45	688-41111-00-1S	INNER COVER, EXHAUST PLAQUE, ECHAPPEMENT	1	1	
46	688-41112-A0	GASKET, EXHAUST INNER COVER JOINT, PLAQUE D'ECHAPPEMENT	1	1	
47	688-41114-A0	GASKET, EXHAUST OUTER COVER JOINT, COUVERCLE D'ECHAPPEMENT	1	1	
48	6H1-41113-00-1S	OUTER COVER, EXHAUST COUVERCLE, ECHAPPEMENT	1	1	FOR FLUSHING KIT
49	663-24312-01	PIPE 2 DURITE 2	1	1	
50	90467-08004	CLIP JONC	2	2	
51	90119-08020	BOLT, WITH WASHER BOULON, AVEC RONDELLE	18	18	
52	6H1-15772-00	STAY 2 SUPPORT 2	1	1	
53	97095-06012	BOLT BOULON	2	2	
54	6H1-15773-01	STAY 3 SUPPORT 3	1	1	

FIG. 3 CRANKSHAFT. PISTON

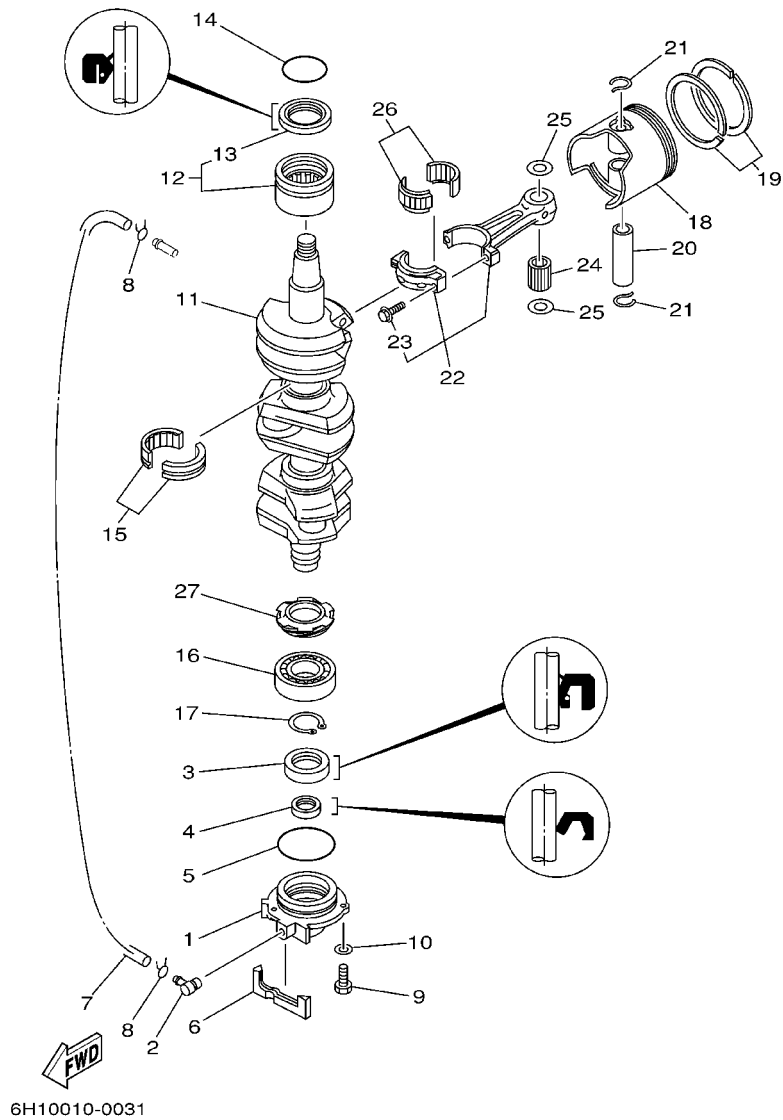
VILEBREQUIN. PISTON



REF. NO.	PART NO. NO. PIECES	DESCRIPTION DESCRIPTION	75C	90A	REMARKS REMARQUES
1	6H1-15359-01-94	HOUSING, OIL SEAL LOGEMENT, BAGUE D'ETANCHEITE	1	1	
2	688-11370-01	CHECK VALVE ASSY CLAPET (ENS.)	1	1	
3	93102-30M05	OIL SEAL JOINT SPY	1	1	
4	93104-20M02	OIL SEAL JOINT SPY	1	1	
5	93210-62269	O-RING JOINT TORIQUE	1	1	
6	688-15379-00	SEAL, CRANKCASE JOINT SPY DE CARTER DE MOTEUR	1	1	
7	90445-07M86	HOSE (L460) DURITE (L460)	1	1	
8	90467-06016	CLIP JONC	2	2	
9	97095-06020	BOLT BOULON	3	3	
10	92995-06600	WASHER RONDELLE	3	3	
11	688-11411-01	CRANKSHAFT VILEBREQUIN COMPLET	1	1	
12	93310-636U4	BEARING ROULEMENT	1	1	
13	93102-36M02	OIL SEAL JOINT SPY	1	1	
14	93210-46M16	O-RING JOINT TORIQUE	1	1	
15	93310-835U8	BEARING ROULEMENT	2	2	
16	93306-206U5	BEARING ROULEMENT	1	1	
17	93410-32M00	CIRCLIP CLIPS	1	1	
18	6H1-11631-03-95	PISTON (STD) PISTON (STD)	3	3	
	6H1-11635-03	PISTON (0.25MM O/S) PISTON (0.25MM O/S)	3	3	AP
	6H1-11636-03	PISTON (0.50MM O/S) PISTON (0.50MM O/S)	3	3	AP
19	688-11603-A0	PISTON RING SET (STD) JEU DE SEGMENTS (STD)	3	3	
	688-11604-A0	PISTON RING SET (0.25MM O/S) JUE DE SEGMENTS (0.25MM O/S)	3	3	AP
	688-11605-A0	PISTON RING SET (0.50MM O/S) JEU DE SEGMENTS (0.50MM O/S)	3	3	AP
20	663-11633-00	PIN, PISTON AXE, PISTON	3	3	
21	688-11634-10	CLIP, PISTON PIN AGRAFE, AXE DE PISTON	6	6	
22	688-11650-03	CONNECTING ROD ASSY BIELLE COMPLETE	3	3	
23	90109-08022	BOLT BOULON	2	2	

FIG. 3 CRANKSHAFT. PISTON

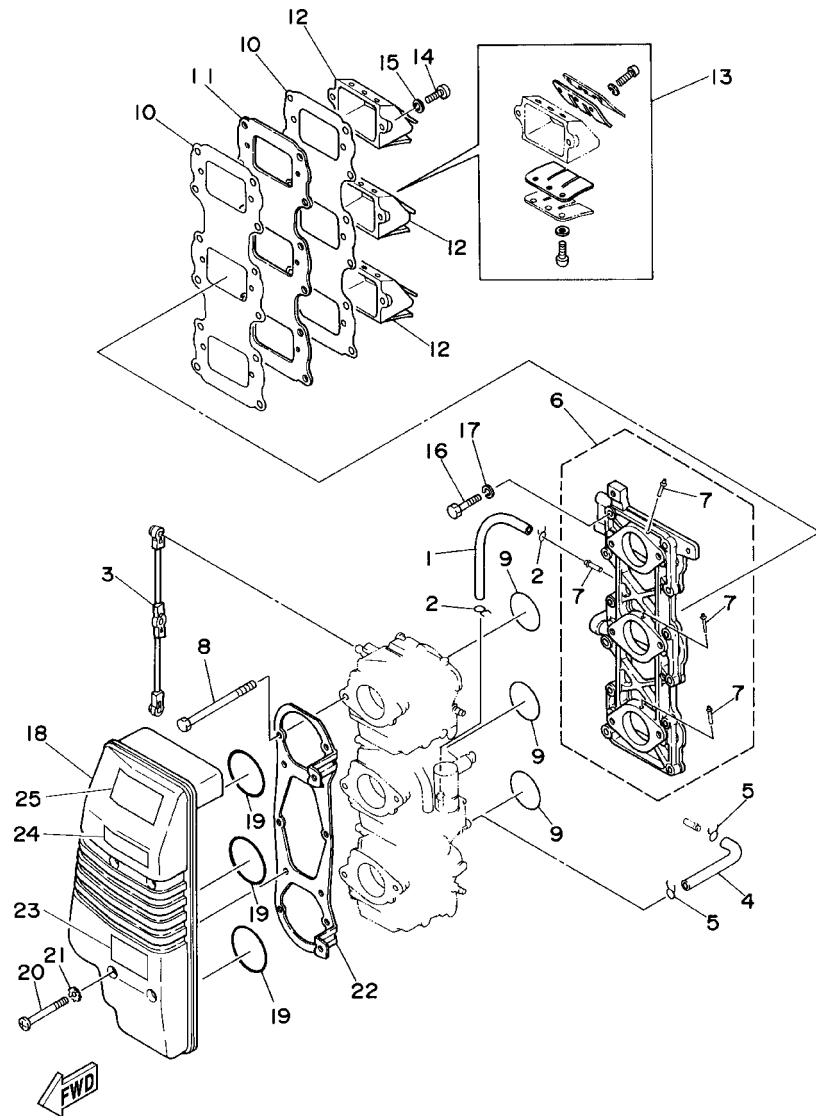
VILEBREQUIN. PISTON



REF. NO.	PART NO. NO. PIECES	DESCRIPTION DESCRIPTION	75C	90A	REMARKS REMARQUES
24	93603-21111	PIN, DOWEL CLAVETTE	84	84	
25	90201-20417	WASHER, PLATE RONDELLE, PLATE	6	6	
26	93310-730V8	BEARING ROULEMENT	3	3	
27	6H1-11536-00	GEAR, DRIVE ENGRENAGE, MENANT	1	1	

FIG. 4 INTAKE

ADMISSION

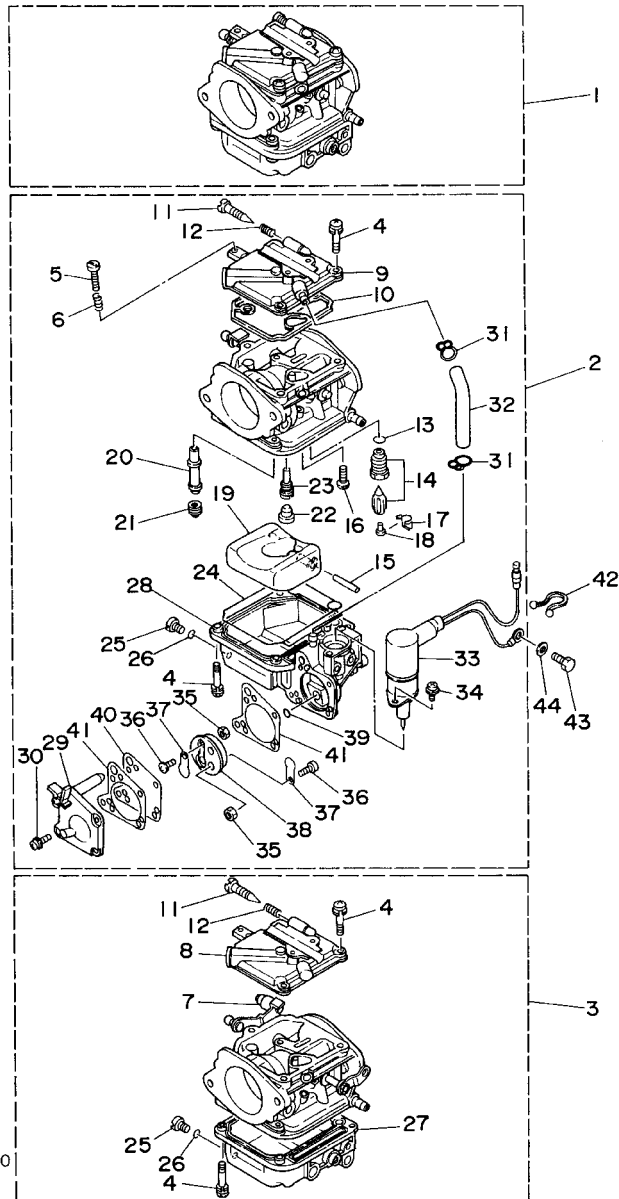


6H12100-2040

REF. NO.	PART NO. NO. PIECES	DESCRIPTION DESCRIPTION	75C	90A	REMARKS REMARQUES
1	90445-07M23	HOSE (L408) DURITE (L408)	1	1	
2	90467-06016	CLIP JONC	2	2	
3	688-41217-01	ROD, ACCEL. LEVER TIGE, LEVIER ACCELERATION	1	1	
4	6H3-14349-00	PIPE DURITE	1	1	
5	90467-08004	CLIP JONC	2	2	
6	6H1-13641-02-94	MANIFOLD 1 TUBULURE 1	1	1	
7	6H1-14485-00	.PIPE, JOINT .DURITE	4	4	
8	97095-06095	BOLT BOULON	6	6	
9	93210-39ME4	O-RING JOINT TORIQUE	3	3	
10	688-13621-A1	GASKET, VALVE SEAT JOINT, SIEGE DE CLAPET	2	2	
11	688-13624-00	PLATE, REED VALVE PLAQUE DE CLAPET	1	1	
12	688-13610-00	REED VALVE ASSY CLAPET COMPLET	3	3	
13	688-W0004-00	.REED SET .JEU DE CLAPETS	1	1	
14	97880-05020	SCREW, PAN HEAD VIS, TETE TRONCONIQUE	6	6	
15	92990-05100	WASHER, SPRING RONDELLE, GROWER	6	6	
16	97013-06030	BOLT BOULON	12	12	
17	92903-06100	WASHER, SPRING RONDELLE, GROWER	12	12	
18	6H1-14440-02	SILENCER ASSY, INTAKE SIENCIEUX D'ADMISSION	1	1	
19	93210-46044	O-RING JOINT TORIQUE	3	3	
20	97885-06050	SCREW, PAN HEAD VIS, A ENCOCHE	4	4	
21	90209-06M05	WASHER RONDELLE	4	4	
22	6H1-14413-02	STAY SUPPORT	1	1	
23	6H1-85711-60	MARK, CAUTION MAKER	1	1	
24	6A1-83625-41	MARK 5 ETIQUETTE 5	1	1	
25	6A1-83625-51	MARK 5 ETIQUETTE 5	1	1	

FIG. 5 CARBURETOR

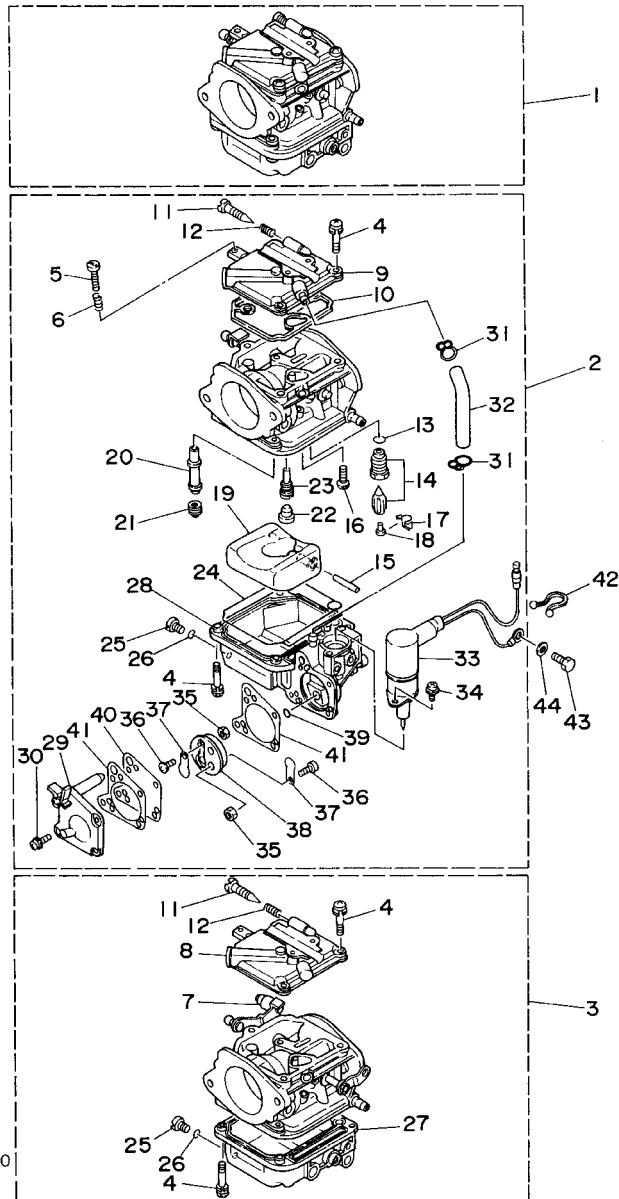
CARBURETEUR



REF. NO.	PART NO. NO. PIECES	DESCRIPTION DESCRIPTION	75C	90A	REMARKS REMARQUES
1	6H1-14301-07	CARBURETOR ASSY 1 CARBURATEUR COMPLET 1		1	
	6H0-14301-07	CARBURETOR ASSY 1 CARBURATEUR COMPLET 1	1		
2	6H1-14302-07	CARBURETOR ASSY 2 CARBURATEUR COMPLET 2		1	
	6H0-14302-07	CARBURETOR ASSY 2 CARBURATEUR COMPLET 2	1		
3	6H1-14303-07	CARBURETOR ASSY 3 CARBURATEUR COMPLET 3		1	
	6H0-14303-07	CARBURETOR ASSY 3 CARBURATEUR COMPLET 3	1		
4	97980-04114	.SCREW, WITH WASHER .VIS, AVEC RONDELLE	21	21	
5	63V-14523-00	.SCREW, STOP .VIS, BUTEE	1	1	#2
6	90501-10326	.SPRING, COMPRESSION .RESSORT, COMPRESSION	1	1	#2
7	6H2-14578-00	.COLLAR .COLLERETTE	1	1	#3
8	6H4-14146-00	.PLATE .PLAQUE	2	2	#1,3
9	6H3-14146-10	.PLATE .PLAQUE	1	1	#2
10	6H4-14147-00	.O-RING .JOINT TORIQUE	3	3	
11	692-14923-00	.SCREW, PILOT .VIS, RALENTI	3	3	
12	697-14555-00	.SPRING .RESSORT	3	3	
13	93210-04228	.O-RING .JOINT TORIQUE	3	3	
14	692-14590-01	.NEEDLE VALVE ASSY .POINTEAU	3	3	
15	6H4-14548-00	.PIN, FLOAT ARM .AXE, BRAS DE FLOTTEUR	3	3	
16	98580-04008	.SCREW, PAN HEAD .VIS	3	3	
17	663-14159-00	.CLIP .JONC	3	3	
18	676-14186-00	.PIN, FLOAT .AXE, FLOTTEUR	3	3	
19	6H4-14985-01	.FLOAT .FLOTTEUR	3	3	
20	6H1-14947-75	.JET, NEEDLE .GICLEUR DE STARTER	3	3	
21	6H1-14943-39	.JET, MAIN (#160) .GICLEUR, PRINCIPAL (#160)	3	3	
22	676-14966-00	.CAP .CAPUCHON	3	3	
23	6H1-14948-18	.JET (#78) .GICLEUR (#78)	3	3	
24	6H4-14984-00	.GASKET, FLOAT CHAMBER .JOINT, CUVE DE FLOTTEUR	3	3	

FIG. 5 CARBURETOR

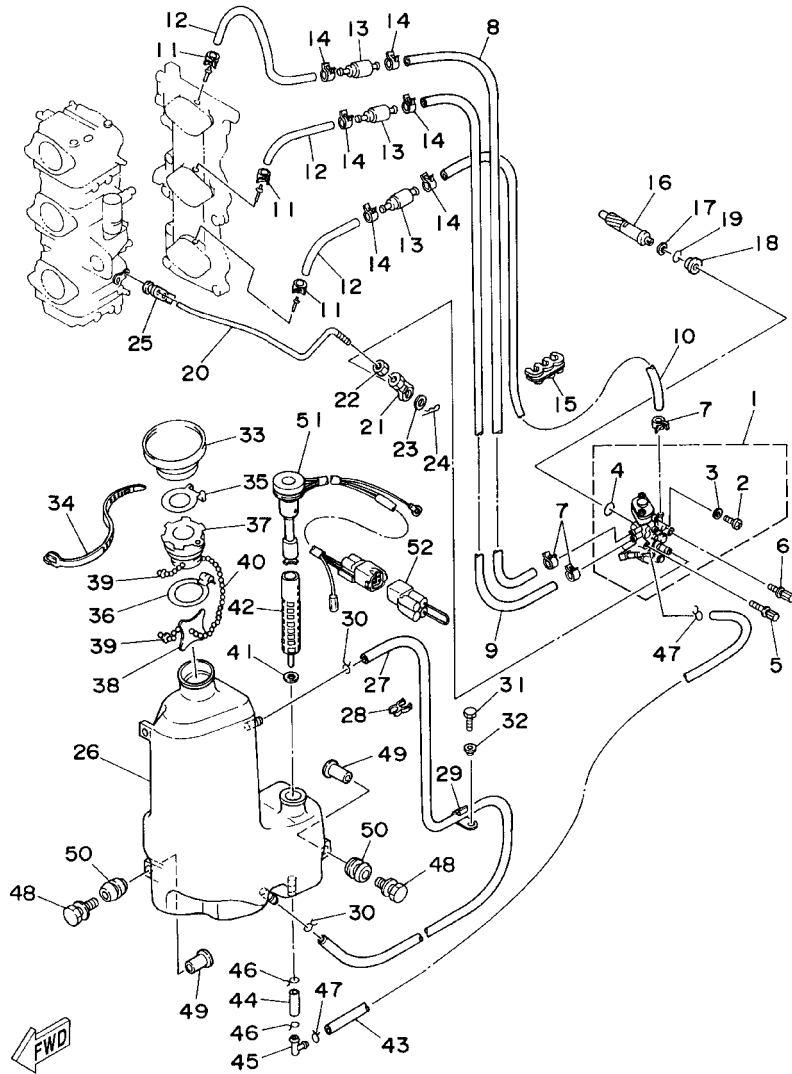
CARBURATEUR



REF. NO.	PART NO. NO. PIECES	DESCRIPTION DESCRIPTION	75C	90A	REMARKS REMARQUES
25	6H3-14992-00	.SCREW, DRAIN .BOUCHON, PURGE	3	3	
26	93210-04230	.O-RING .JOINT TORIQUE	3	3	
27	6H4-14980-00	.BODY, FLOAT CHAMBER .CORPS, CUVE DE FLOTTEUR	2	2	#1,3
28	6H3-14980-10	.BODY, FLOAT CHAMBER .CORPS, CUVE DE FLOTTEUR	1	1	#2
29	6H3-24452-10	.COVER .COUVERCLE	1	1	#2
30	6H4-14567-00	.SCREW .VIS	4	4	#2
31	6H3-14137-00	.CLIP .JONC	2	2	#2
32	6H3-14349-00	.PIPE .DURITE	1	1	#2
33	6H3-14380-00	.STARTER ASSY .DEMARREUR COMPLET	1	1	#2
34	97803-04008	.SCREW, PAN HEAD .VIS, CRUCIFORME	2	2	#2
35	95380-03600	.NUT .ECROU	2	2	#2
36	98980-03006	.SCREW, BIND .VIS	2	2	#2
37	6L5-24421-00	.VALVE, CHECK .SOUPAPE, RETENUE	2	2	#2
38	6H4-24413-00	.BODY 2 .CORPS 2	1	1	#2
39	6H4-24486-00	.O-RING .JOINT TORIQUE	1	1	#2
40	6H3-24411-10	.DIAPHRAGM .DIAPHRAGME	1	1	#2
41	6H3-24434-10	.GASKET, BODY .JOINT, CORPS	2	2	#2
42	90465-18147	CLAMP BRIDE	1	1	
43	97013-06012	BOLT BOULON	1	1	
44	92903-06600	WASHER, PLATE RONDELLE, PLATE	1	1	

FIG. 6 OIL PUMP

POMPE A HUILE

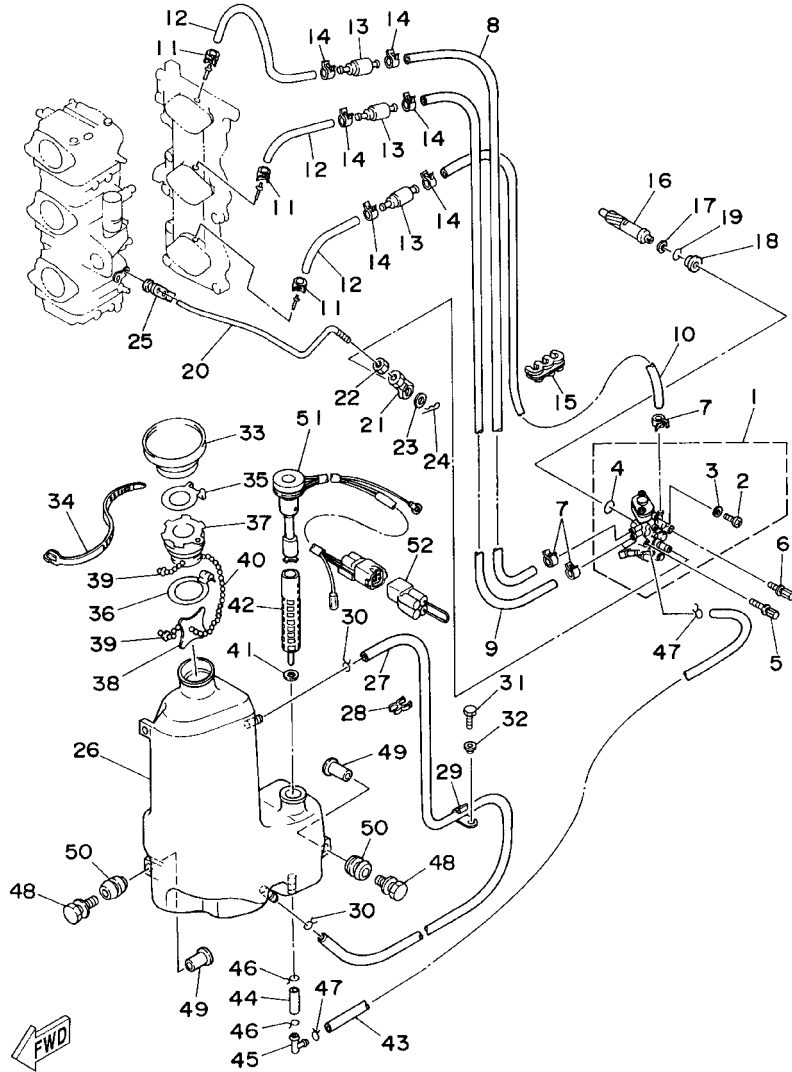


6H10010-0060

REF. NO.	PART NO. NO. PIECES	DESCRIPTION DESCRIPTION	75C	90A	REMARKS REMARQUES
1	6H1-13200-02	OIL INJECTION PUMP ASSY POMPE A HUILE COMPLET	1	1	
2	6R3-13471-00	.PLUG, DRAIN .PLOT, VIDANGE	1	1	
3	6L2-13475-00	.GASKET .JOINT	1	1	
4	93210-19MA7	.O-RING .JOINT TORIQUE	1	1	
5	90109-06M39	BOLT BOULON	1	1	
6	90109-06M40	BOLT BOULON	1	1	
7	90468-07M02	CLIP JONC	3	3	
8	90445-07M90	HOSE (L390) DURITE (L390)	1	1	
9	90445-07240	HOSE (L330) DURITE (L330)	1	1	
10	90445-07M44	HOSE (L250) DURITE (L250)	1	1	
11	90468-07M02	CLIP JONC	3	3	
12	90445-07M87	HOSE (L110) DURITE (L110)	3	3	
13	6E9-13183-70	VALVE, CHECK CLAPET ANTI RETOUR	3	3	
14	90468-07M02	CLIP JONC	6	6	
15	90464-07M05	CLAMP BRIDE	1	1	
16	6H1-11537-01	GEAR, DRIVEN PIGNON SECONDAIRE	1	1	
17	90201-08M93	WASHER, PLATE RONDELLE, PLATE	1	1	
18	6H1-13117-01	COLLAR, DISTANCE ENTRETOISE	1	1	
19	93210-13M04	O-RING JOINT TORIQUE	1	1	
20	6H1-41241-02	ROD, LINK BIELLETTTE	1	1	
21	6H1-41237-00	JOINT, LINK RACCORD	1	1	
22	95380-05600	NUT ECROU	1	1	
23	90202-05088	WASHER, PLATE RONDELLE, PLATE	1	1	
24	90468-05M03	CLIP JONC	1	1	
25	6E9-41237-00	JOINT, LINK RACCORD	1	1	
26	6H1-21707-07	OIL TANK COMP. RESERVOIR A PETROLE COMP.	1	1	
27	90445-11M09	HOSE (L600) DURITE (L600)	1	1	

FIG. 6 OIL PUMP

POMPE A HUILE

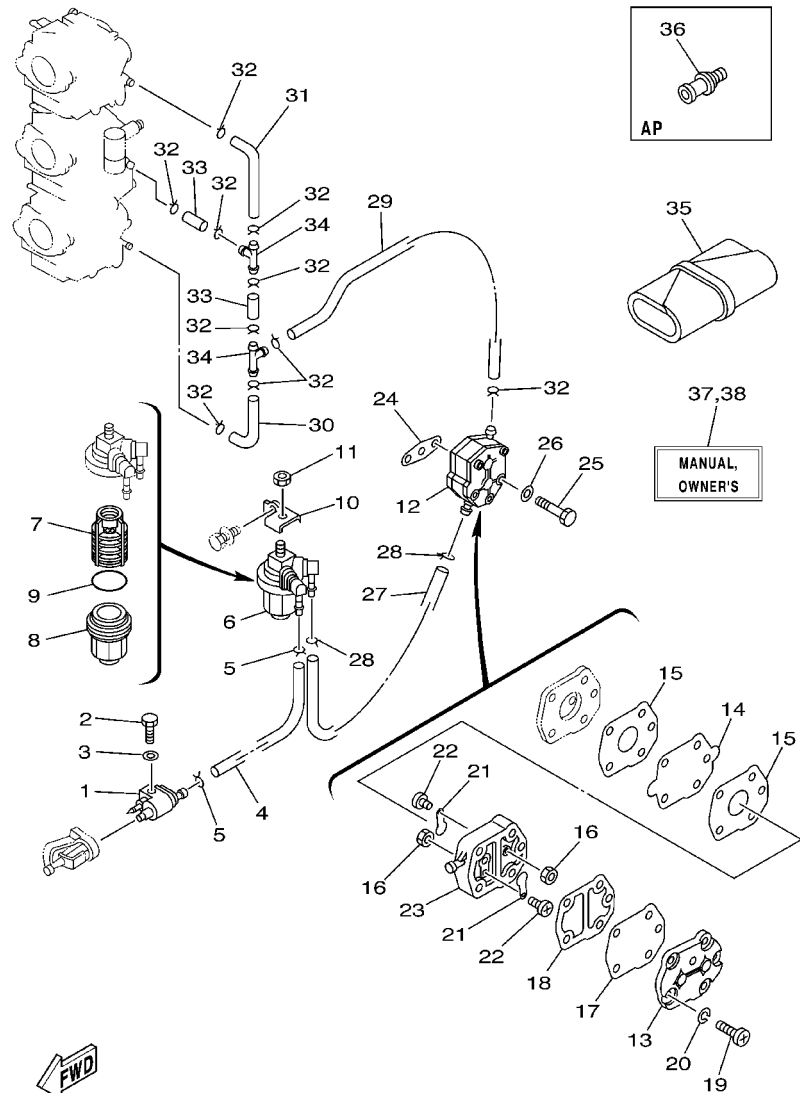


6H10010-0060

REF. NO.	PART NO. NO. PIECES	DESCRIPTION DESCRIPTION	75C	90A	REMARKS REMARQUES
28	90464-11M24	CLAMP BRIDE	1	1	
29	90465-11M27	CLAMP BRIDE	1	1	
30	90467-11M08	CLIP JONC	2	2	
31	97095-06016	BOLT BOULON	1	1	
32	90387-06M31	COLLAR COLLERETTE	1	1	
33	6H1-21752-00	TUBE, FILLER 1 DURITE	1	1	
34	90465-13M30	CLAMP BRIDE	1	1	
35	63D-2176M-00	HOOK CROCHET	1	1	
36	63D-2175R-00	HOOK, BAND CROCHET, BANDE	1	1	
37	6H4-21770-00	OIL TANK CAP ASSY CABOCHON DE RESERVOIR A HUILE	1	1	
38	6J8-21758-00	WASHER, SPECIAL 2 RONDELLE, SPECIALE 2	1	1	
39	6H1-21757-00	WASHER, SPECIAL 1 RONDELLE, SPECIALE 1	2	2	
40	6H1-24633-00	CHAIN, BALL CHANE DE BALLE	1	1	
41	6J8-13414-00	GASKET, STRAINER COVER JOINT, COUVERCLE DE FILTRE	1	1	
42	6H1-13411-00	STRAINER, OIL FILTRE, HUILE	1	1	
43	6H1-21766-01	PIPE, OIL DURITE A HUILE	1	1	
44	90445-08M01	HOSE (L30) DURITE (L30)	1	1	
45	6H1-13435-00	NIPPLE RACCORD	1	1	
46	90467-12M11	CLIP JONC	2	2	
47	90467-08004	CLIP JONC	2	2	
48	90119-06M88	BOLT, WITH WASHER BOULON, AVEC RONDELLE	3	3	
49	624-42542-00	PIPE TUYAU	3	3	
50	6A0-82317-00	DAMPER, IGNITION COIL AMORTISSEUR, BOBINE D'ALLUM	3	3	
51	6H1-85720-15	OIL LEVEL GAUGE ASSY JAUGE A HUILE CPLT	1	1	
52	6R5-82582-B0	COVER, WIRE HARNESS COUVERCLE, FAISCEAU DE FILS	1	1	AP

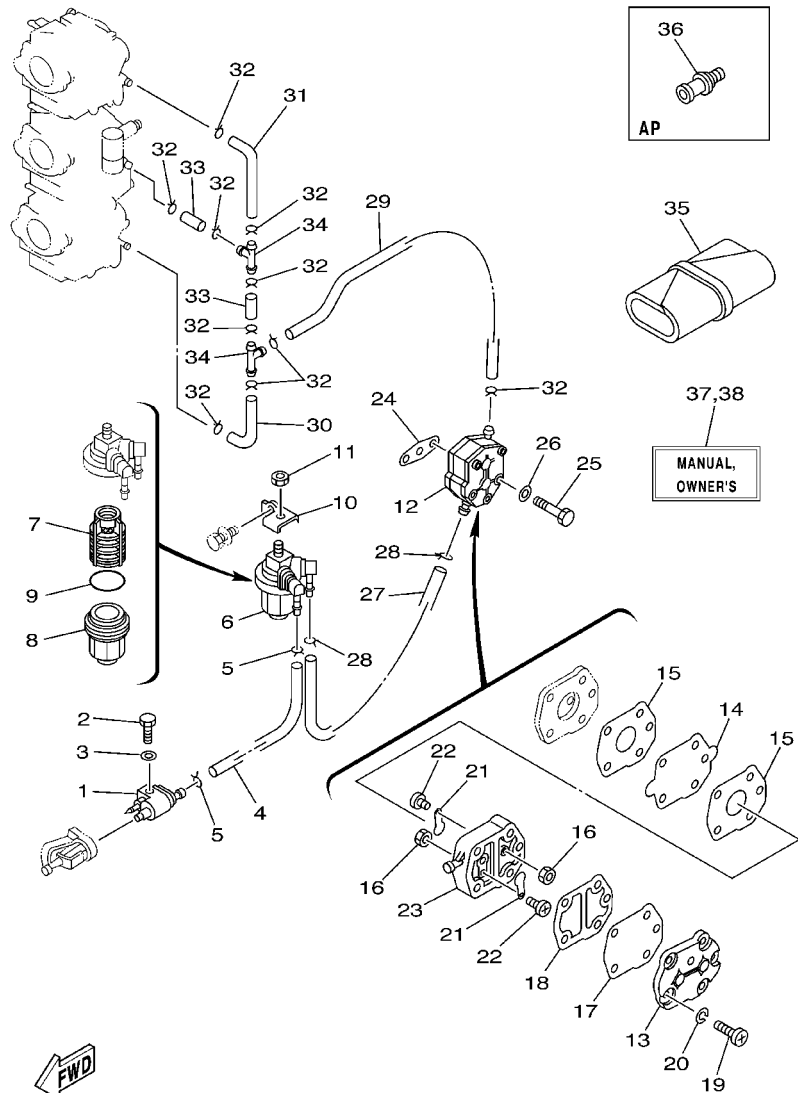
FIG. 7 FUEL

CARBURANT



6H14300-3070

REF. NO.	PART NO. NO. PIECES	DESCRIPTION DESCRIPTION	75C	90A	REMARKS REMARQUES
1	6G1-24304-02	FUEL PIPE JOINT COMP. 1 DURITE RACCORDEMT. A ESSENCE	1	1	
2	97095-06020	BOLT BOULON	1	1	
3	92995-06600	WASHER RONDELLE	1	1	
4	90445-09105	HOSE (L300) DURITE (L300)	1	1	
5	90467-08004	CLIP JONC	2	2	
6	61N-24560-00	FILTER ASSY ENS FILTRE	1	1	
7	61N-24563-00	.ELEMENT, FILTER .ELEMENT, FILTRE	1	1	
8	61N-24521-00	.CUP, FILTER .CUVETTE, FILTRE	1	1	
9	93210-32738	.O-RING .JOINT TORIQUE	1	1	
10	6H1-24566-01	BRACKET, FILTER SUPPORT, FILTRE	1	1	
11	95380-08600	NUT ECROU	1	1	
12	692-24410-00	FUEL PUMP ASSY POMPE A ESSENCE	1	1	
13	6A0-24413-00	.BODY 2 .CORPS 2	1	1	
14	692-24411-00	.DIAPHRAGM .DIAPHRAGME	1	1	
15	648-24434-01	.GASKET, BODY JOINT, CORPS	2	2	
16	95380-03600	.NUT .ECROU	2	2	
17	663-24411-00	.DIAPHRAGM .DIAPHRAGME	1	1	
18	648-24435-02	.GASKET, BODY 2 JOINT, CORPS 2	1	1	
19	98503-05028	.SCREW, PAN HEAD .VIS	3	3	
20	92990-05100	.WASHER, SPRING .RONDELLE, GROWER	3	3	
21	6A0-24421-01	.VALVE, CHECK .SOUPAPE, RETENUE	2	2	
22	6A0-14325-00	.SCREW, PAN HEAD .VIS TETE CONIQUE	2	2	
23	6A0-24412-02	.BODY 1 .CORPS 1	1	1	
24	650-24431-A0	GASKET, FUEL PUMP 1 JOINT 1 DE POMPE A ESSENCE	1	1	
25	97095-06040	BOLT BOULON	2	2	
26	92995-06600	WASHER RONDELLE	2	2	
27	6H1-24314-00	PIPE 4 DURITE 4	1	1	

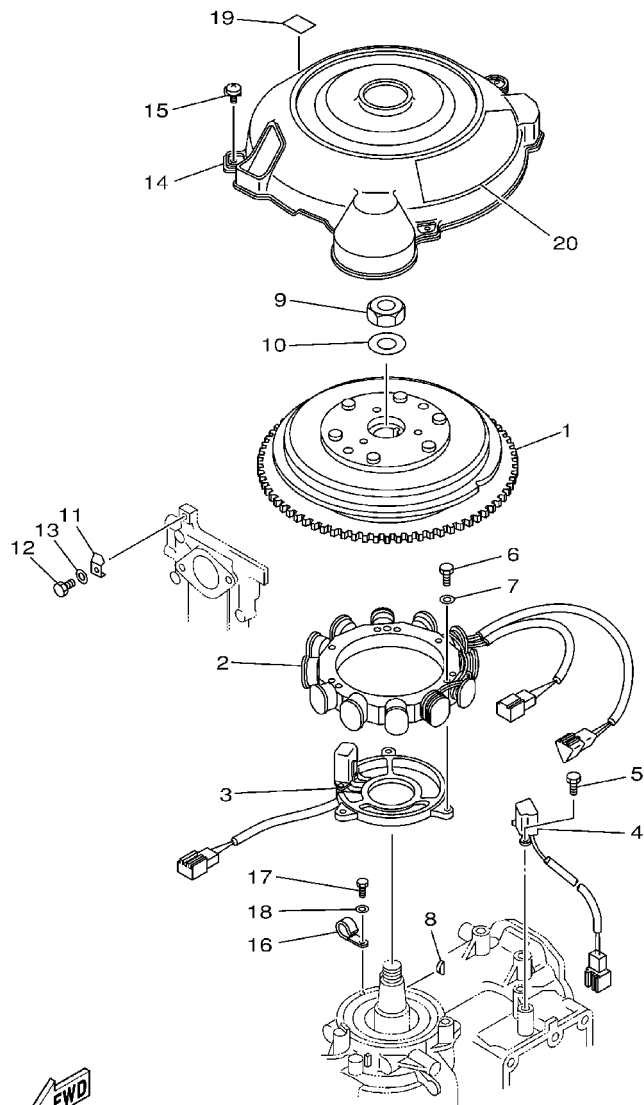


6H14300-3070

FIG. 7 FUEL

CARBURANT

REF. NO.	PART NO. NO. PIECES	DESCRIPTION DESCRIPTION	75C	90A	REMARKS REMARQUES
28	90467-08004	CLIP JONC	2	2	
29	90445-09097	HOSE DURITE	1	1	
30	688-24313-00	PIPE 3 DURITE 3	1	1	
31	688-24314-00	PIPE 4 DURITE 4	1	1	
32	90467-08004	CLIP JONC	10	10	
33	90445-09220	HOSE DURITE	2	2	
34	688-24378-00	PIPE, JOINT 4 DURITE RACCORDEMENT 4	2	2	
35	656-W2810-02	TOOL KIT TROUSSE A OUTILS	1	1	
36	6E0-28193-00-94	PLUG, WATER CHECK BOUCHON, CONTROLE D'EAU	1	1	AP D:12.5MM
37	6H2-28199-7P-A0	MANUAL, OWNER'S MANUEL D'UTILISATION	1	1	UR (E,F,S)
	6H2-28199-7P-B0	MANUAL, OWNER'S MANUEL D'UTILISATION	1	1	UR (D,NL,I)
38	6H2-28199-8P-A0	MANUAL, OWNER'S MANUEL D'UTILISATION	1	1	UR (DK,P,GR)
	6H2-28199-8P-B0	MANUAL, OWNER'S MANUEL D'UTILISATION	1	1	UR (N,S,SS)



6H12200-2080

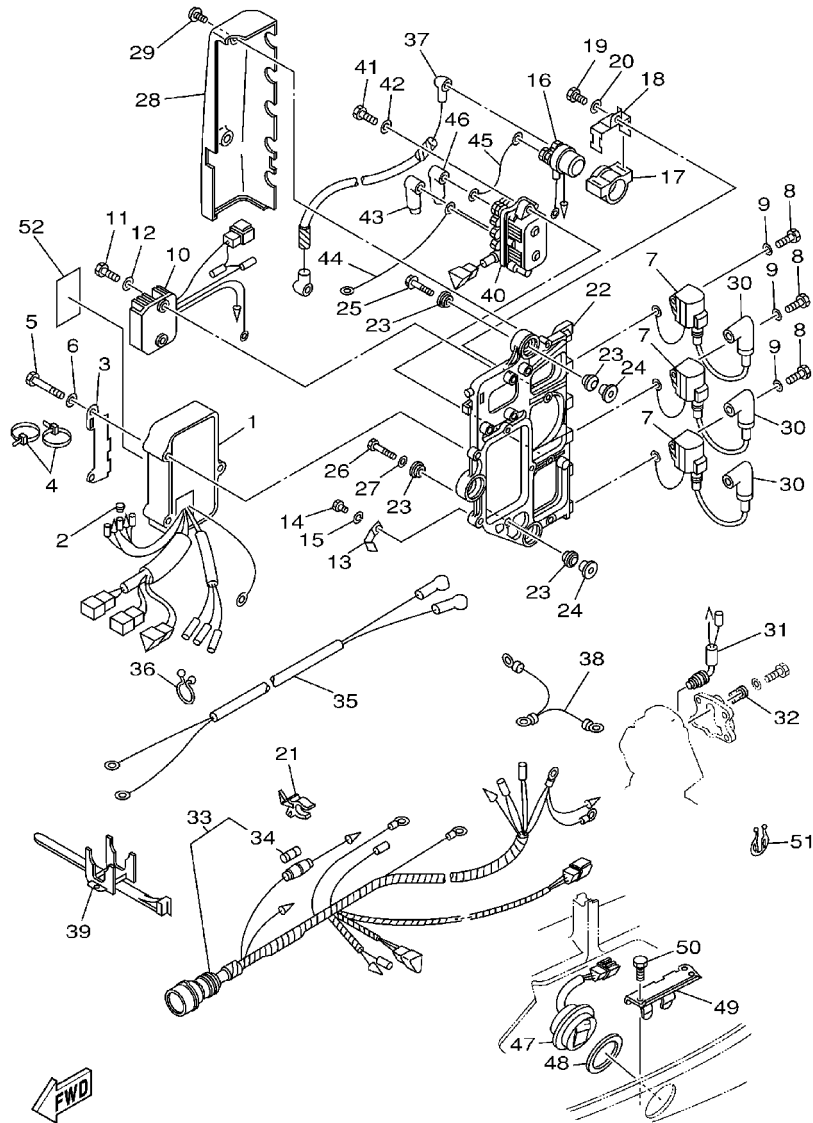
FIG. 8 GENERATOR

GENERATRICE

REF. NO.	PART NO. NO. PIECES	DESCRIPTION DESCRIPTION	75C	90A	REMARKS REMARQUES
1	6H0-85550-00	ROTOR ASSY ROTOR CPLT	1	1	
2	6H0-85510-03	STATOR ASSY STATOR CPLT	1	1	
3	6H0-85580-01	COIL, PULSER BOBINE, PULSEUR	1	1	
4	6H2-85895-01	CRANK POSITION SENDER SONDE, REGLAGE DE VILEBREQUIN	1	1	
5	97095-05012	BOLT BOULON	2	2	
6	97095-06040	BOLT BOULON	3	3	
7	92995-06600	WASHER RONDELLE	3	3	
8	90280-05015	KEY, WOODRUFF CLAVETTE, DEMI-LUNE	1	1	
9	90170-20137	NUT ECROU	1	1	
10	90201-21M18	WASHER, PLATE RONDELLE, PLATE	1	1	
11	688-81332-01	PLATE, TIMING PLATEAU, ALLUMAGE	1	1	
12	97095-06010	BOLT BOULON	1	1	
13	92995-06600	WASHER RONDELLE	1	1	
14	6H1-81337-01	COVER, FLYWHEEL COUVERCLE, VOLANT	1	1	
15	90159-06M20	SCREW, WITH WASHER VIS, AVEC RONDELLE	3	3	
16	90465-06M90	CLAMP BRIDE	1	1	
17	97095-06012	BOLT BOULON	1	1	
18	92995-06600	WASHER RONDELLE	1	1	
19	6H1-14488-00	LABEL, CAUTION ETIQUETTE, RECOMMANDATION	1	1	
20	6H1-13437-21	MARK, CAUTION MAKER	1	1	

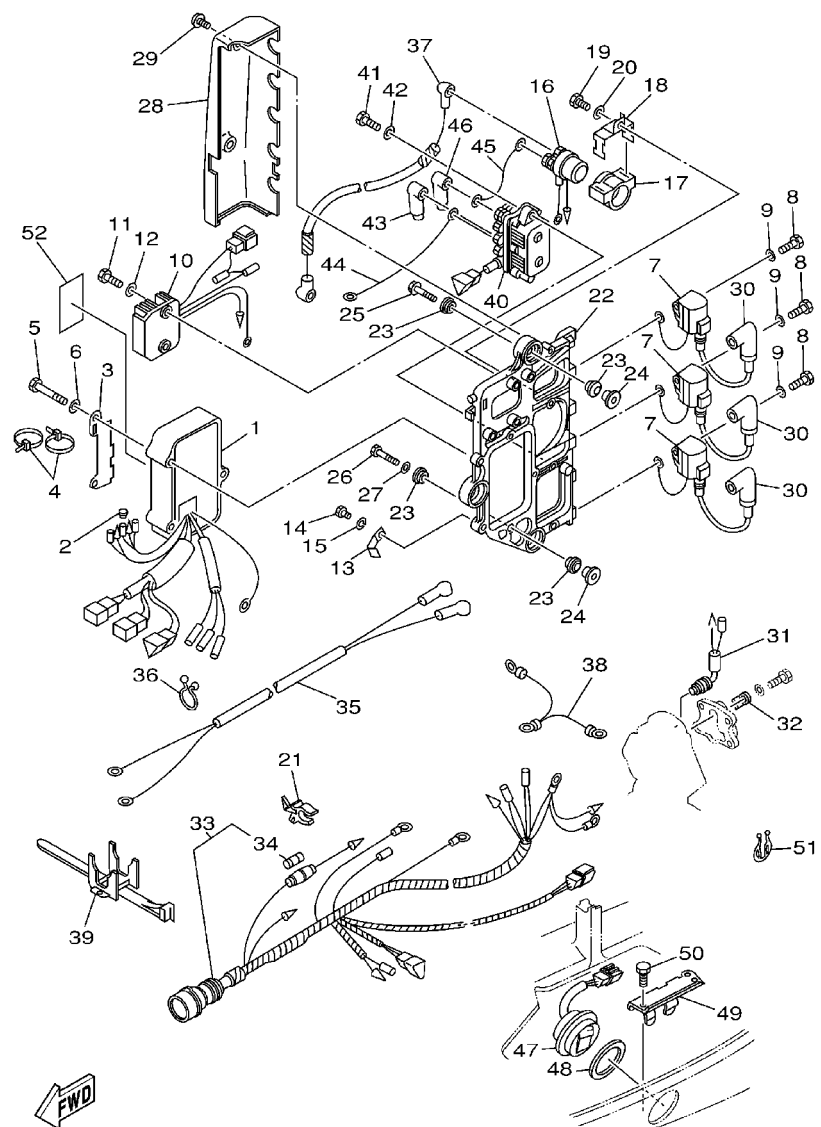
FIG. 9 ELECTRICAL

ELECTRIQUE



6H12200-2090

REF. NO.	PART NO. NO. PIECES	DESCRIPTION DESCRIPTION	75C	90A	REMARKS REMARQUES
1	6H0-85540-06	C.D.I. UNIT ASSY BLOC C.D.I.	1	1	
2	703-82119-00	COVER, LEAD WIRE GARNITURE, FIL	1	1	
3	6H1-85542-10	BRACKET SUPPORT	1	1	
4	90465-13M11	CLAMP BRIDE	2	2	
5	97095-06050	BOLT BOULON	3	3	
6	92995-06600	WASHER RONDELLE	3	3	
7	697-85570-00	IGNITION COIL ASSY BOBINE D'ALLUMAGE (ENS.)	3	3	
8	97013-06020	BOLT BOULON	3	3	
9	92903-06600	WASHER, PLATE RONDELLE, PLATE	3	3	
10	6H0-81960-10	RECTIFIER & REGULATOR ASSY REDRESSEUR, REGULATEUR CPLT	1	1	
11	97095-06020	BOLT BOULON	2	2	
12	92995-06600	WASHER RONDELLE	2	2	
13	90465-08M23	CLAMP BRIDE	1	1	
14	97095-06012	BOLT BOULON	1	1	
15	92995-06100	WASHER, SPRING RONDELLE, GROUVER	1	1	
16	6G1-81941-10	STARTER RELAY ASSY LANCEUR RELAIS (ENS.)	1	1	
17	6G1-81952-00	HOLDER, RELAY SUPPORT, RELAIS	1	1	
18	6E9-81945-70	PLATE, SWITCH FITTING PLAQUE, FIXATION DU RELAIS	1	1	
19	97013-06016	BOLT BOULON	1	1	
20	92903-06600	WASHER, PLATE RONDELLE, PLATE	1	1	
21	6G5-82152-00	HOLDER, FUSE SUPPORT, FUSIBLE	1	1	
22	6H1-85542-00-94	BRACKET SUPPORT	1	1	
23	90480-09M25	GROMMET PASSE-FIL	6	6	
24	90387-06M03	COLLAR COLLERETTE	3	3	
25	90119-06M75	BOLT, WITH WASHER BOULON, AVEC RONDELLE	2	2	
26	90109-06M39	BOLT BOULON	1	1	
27	90201-06M31	WASHER, PLATE RONDELLE, PLATE	1	1	



6H12200-2090

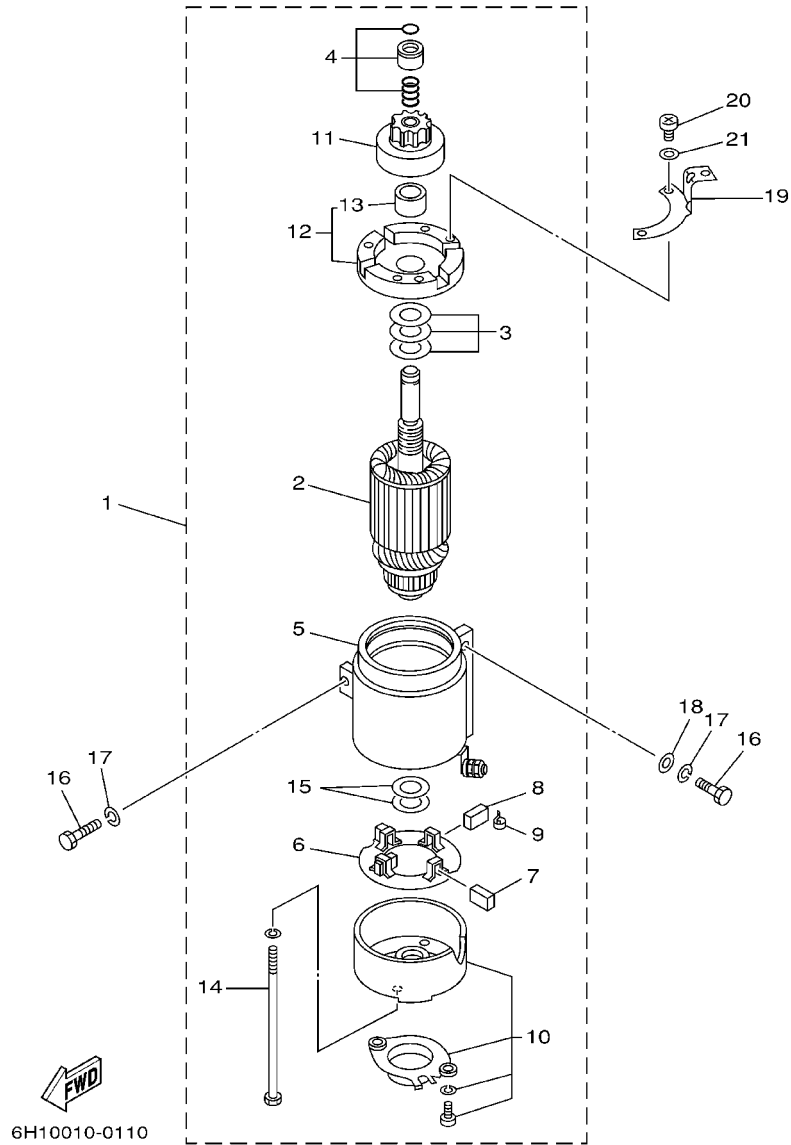
FIG. 9 ELECTRICAL

ELECTRIQUE

REF. NO.	PART NO. NO. PIECES	DESCRIPTION DESCRIPTION	75C	90A	REMARKS REMARQUES
28	6H1-81916-00	COVER, TERMINAL COUVERCLE, BORNE	1	1	
29	90159-06M11	SCREW, WITH WASHER VIS, AVEC RONDELLE	2	2	
30	6E3-82370-21	PLUG CAP ASSY ANTIPARASITE	3	3	
31	688-82560-10	THERMO SWITCH ASSY THERMO-CONTACT COMPLET	1	1	
32	688-82588-01	PLATE PLAQUE	1	1	
33	6H0-82590-12	WIRE HARNESS ASSY FAISCEAU DE FILS COMPLET	1	1	
34	663-82151-00	.FUSE (12V-20A) .FUSIBLE (12V-20A)	1	1	
35	6H0-82105-02	WIRE HARNESS FAISCEAU DE FILS	1	1	
36	90464-23M22	CLAMP BRIDE	1	1	
37	6H0-82117-00	WIRE, LEAD FIL	1	1	
38	697-82519-00	WIRE, EARTH LEAD FIL, MASSE	1	1	
39	688-82594-00	CLAMP BRIDE	1	1	
40	61A-81950-00	RELAY ASSY RELAIS COMPLET	1	1	
41	97095-06025	BOLT BOULON	2	2	
42	92995-06600	WASHER RONDELLE	2	2	
43	682-82119-01	COVER, LEAD WIRE GARNITURE, FIL	2	2	
44	6H0-81949-10	WIRE, LEAD FIL	1	1	
45	6H0-81949-01	WIRE, LEAD FIL	1	1	
46	682-82119-01	COVER, LEAD WIRE GARNITURE, FIL	1	1	
47	6H1-82563-10	TRIM & TILT SWITCH ASSY INCLINER ET PARER COMMUTATEUR	1	1	
48	6E5-82587-00	GASKET JOINT	1	1	
49	6H1-83614-00	BRACKET SUPPORT	1	1	
50	97095-06016	BOLT BOULON	1	1	
51	90464-18M14	CLAMP BRIDE	1	1	
52	6R5-85711-60	MARK, CAUTION MAKER	1	1	

FIG. 10 STARTING MOTOR

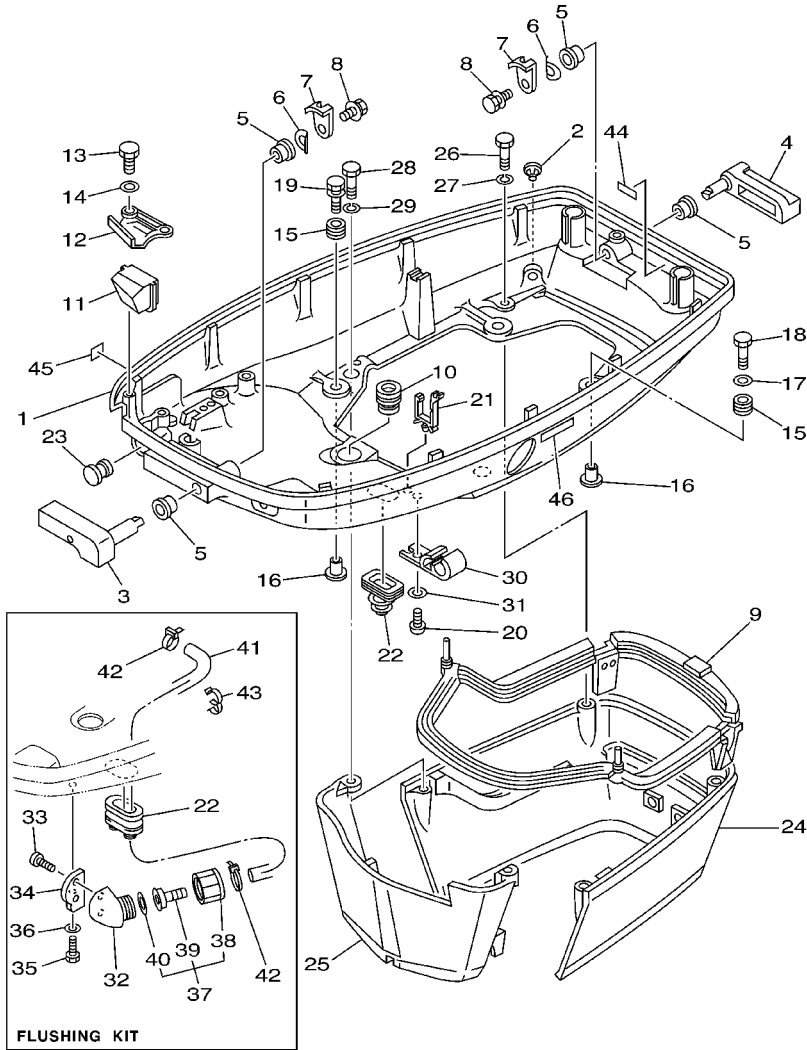
DEMARREUR ELECTRIQUE



REF. NO.	PART NO. NO. PIECES	DESCRIPTION DESCRIPTION	75C	90A	REMARKS REMARQUES
1	688-81800-12	STARTING MOTOR ASSY DEMARREUR ELECTRIQUE COMPLET	1	1	
2	676-81850-11	.ARMATURE ASSY .INDUIT	1	1	
3	676-81809-10	.WASHER KIT .JEU DE RONDELLES	1	1	
4	676-81857-10	.PINION STOPPER SET .BUTEE PIGNON	1	1	
5	688-81810-11	.STATOR ASSY .STATOR COMPLET	1	1	
6	663-81840-11	.BRUSH HOLDER ASSY .SUPPORT DE CHARBON	1	1	
7	663-81811-11	.BRUSH 1 .CHARBON 1	2	2	
8	663-81812-11	.BRUSH 2 .CHARBON 2	2	2	
9	663-81813-10	.SPRING, BRUSH .RESSORT, DE CHARBON	4	4	
10	663-81820-12	.REAR BRACKET ASSY .SUPPORT ARRIERE COMPLET	1	1	
11	663-81832-11	.PINION ASSY .PIGNON D'ATTAQUE (ENS.)	1	1	
12	688-81830-11	.FRONT BRACKET ASSY .SUPPORT AVANT	1	1	
13	688-81831-00	..METAL, FRONT ..METAL, AVANT	1	1	
14	663-81826-10	.BOLT .BOULON	2	2	
15	688-81824-00	.WASHER 2 .RONDELLE 2	2	2	
16	97013-08030	BOLT BOULON	3	3	
17	92903-08100	WASHER, SPRING RONDELLE, GROWER	3	3	
18	92990-08600	WASHER, PLATE RONDELLE, PLATE	2	2	
19	6H1-15771-00	STAY 1 SUPPORT 1	1	1	
20	97885-04010	SCREW, PAN HEAD VIS, A ENCOCHE	3	3	
21	92995-04600	WASHER RONDELLE	3	3	

FIG. 11 BOTTOM COWLING

CAPOT INFERIEUR

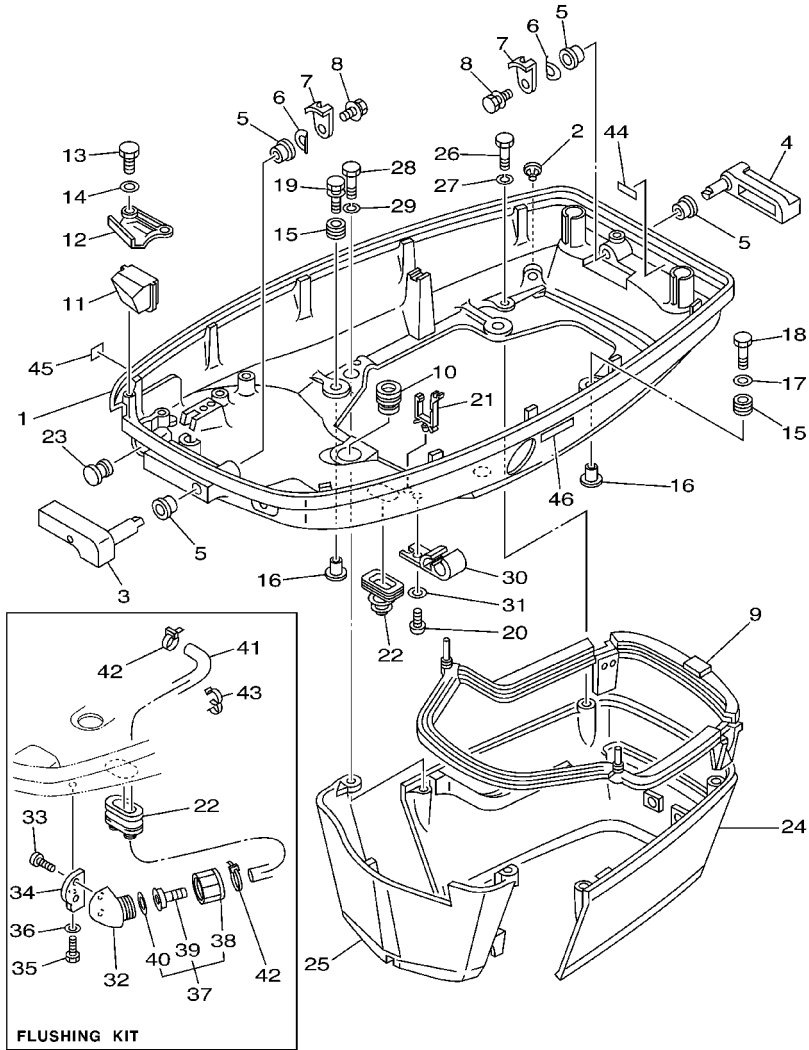


6H14300-3110

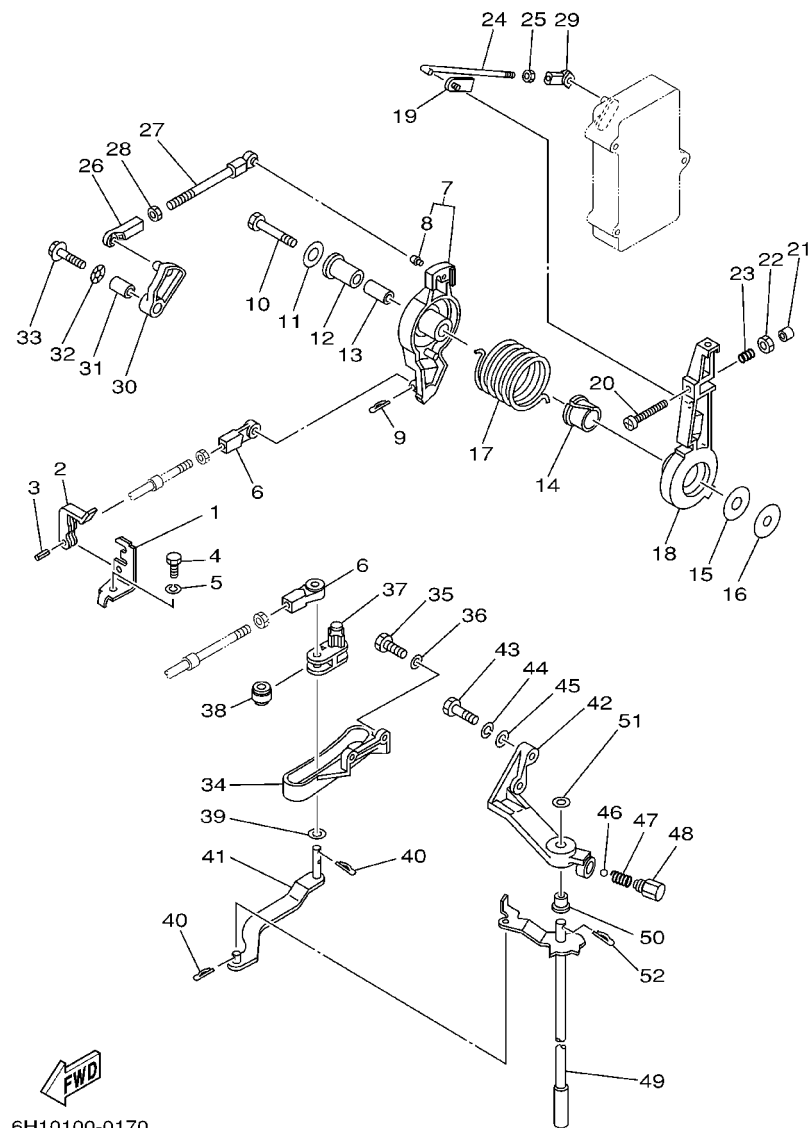
REF. NO.	PART NO. NO. PIECES	DESCRIPTION DESCRIPTION	75C	90A	REMARKS REMARQUES
1	6H1-42711-10-4D	COWLING, BOTTOM CUVETTE	1	1	
2	6H3-44391-01	NIPPLE, HOSE RACCORD D'ESSENCE	1	1	
3	688-42815-01-4D	LEVER, CLAMP LEVIER, PRESSE	1	1	
4	688-42817-01-4D	LEVER, CLAMP LEVIER, PRESSE	1	1	
5	90386-13M38	BUSH DQUILLE	4	4	
6	90206-13019	WASHER, WAVE RONDELLE, ONDULEE	2	2	
7	688-42816-00	LEVER, CLAMP LEVIER, PRESSE	2	2	
8	90119-06M09	BOLT, WITH WASHER BOULON, AVEC RONDELLE	2	2	
9	688-42716-02	RUBBER, SEAL 1 JOINT EN CAOUTCHOUC 1	1	1	
10	663-42724-00	GROMMET PASSE-FIL	1	1	
11	688-42725-20	GROMMET PASSE-FIL	1	1	
12	688-42738-01-94	PLATE, FITTING ETRIER	1	1	
13	97095-06016	BOLT BOULON	2	2	
14	92995-06600	WASHER RONDELLE	2	2	
15	90480-09M12	GROMMET PASSE-FIL	4	4	
16	90387-06M69	COLLAR COLLERETTE	4	4	
17	90201-06416	WASHER, PLATE RONDELLE, PLATE	1	1	
18	97095-06030	BOLT BOULON	1	1	
19	90119-06M61	BOLT, WITH WASHER BOULON, AVEC RONDELLE	3	3	
20	90157-06M01	SCREW, PAN HEAD VIS, TETE TRONCONIQUE	1	1	
21	90464-15M08	CLAMP BRIDE	1	1	
22	688-42726-10	GROMMET PASSE-FIL	1	1	
	6H1-42726-20	GROMMET PASSE-FIL	1	1	FOR FLUSHING KIT
23	6G1-42748-00	GROMMET PASSE-FIL	1	1	
24	688-42741-01-4D	APRON CAPOT LATERAL	1	1	
25	688-42771-01-4D	APRÓN CAPOT LATERAL	1	1	
26	97095-06020	BOLT BOULON	2	2	

FIG. 11 BOTTOM COWLING

CAPOT INFERIEUR



REF. NO.	PART NO. NO. PIECES	DESCRIPTION DESCRIPTION	75C	90A	REMARKS REMARQUES
27	92995-06100	WASHER, SPRING RONDELLE, GROWER	2	2	
28	97095-06030	BOLT BOULON	2	2	
29	92995-06100	WASHER, SPRING RONDELLE, GROWER	2	2	
30	6E5-24367-01	CLAMP, FUEL PIPE 2 COLLIER DE DURITE A ESSENCE	1	1	
31	92990-06600	WASHER, PLATE RONDELLE, PLATE	1	1	
32	68T-12572-00	ADAPTER ADAPTATEUR	1	1	FLUSHING KIT
33	90167-06002	SCREW, TAPPING VIS, TETE FRAISEE	2	2	FLUSHING KIT
34	6H1-12535-00	PLATE PLAQUE	1	1	FLUSHING KIT
35	97095-06020	BOLT BOULON	1	1	FLUSHING KIT
36	92995-06600	WASHER RONDELLE	1	1	FLUSHING KIT
37	6R3-12580-00	JOINT ASSY ARTICULER (ENS.)	1	1	FLUSHING KIT
38	6R3-12581-00	.JOINT, HOSE 1 .JOINT DE TUYAU	1	1	
39	6R3-12582-00	.JOINT, HOSE 2 .RACCORD DE TUYAU 1	1	1	
40	6R3-12583-00	.GASKET, HOSE JOINT .JOINT	1	1	
41	6H1-24312-01	PIPE 2 DURITE 2	1	1	FLUSHING KIT
42	90465-11M10	CLAMP BRIDE	2	2	FLUSHING KIT
43	90464-09M31	CLAMP BRIDE	1	1	FLUSHING KIT
44	6G5-42791-10	MARK 1 ETIQUETTE 1	1	1	
45	6A1-28176-00	LABEL, CAUTION ETIQUETTE, RECOMMANDATION	1	1	
46	6E3-8257H-00	PLATE, MARK PLAQUE, ADHESIF	1	1	

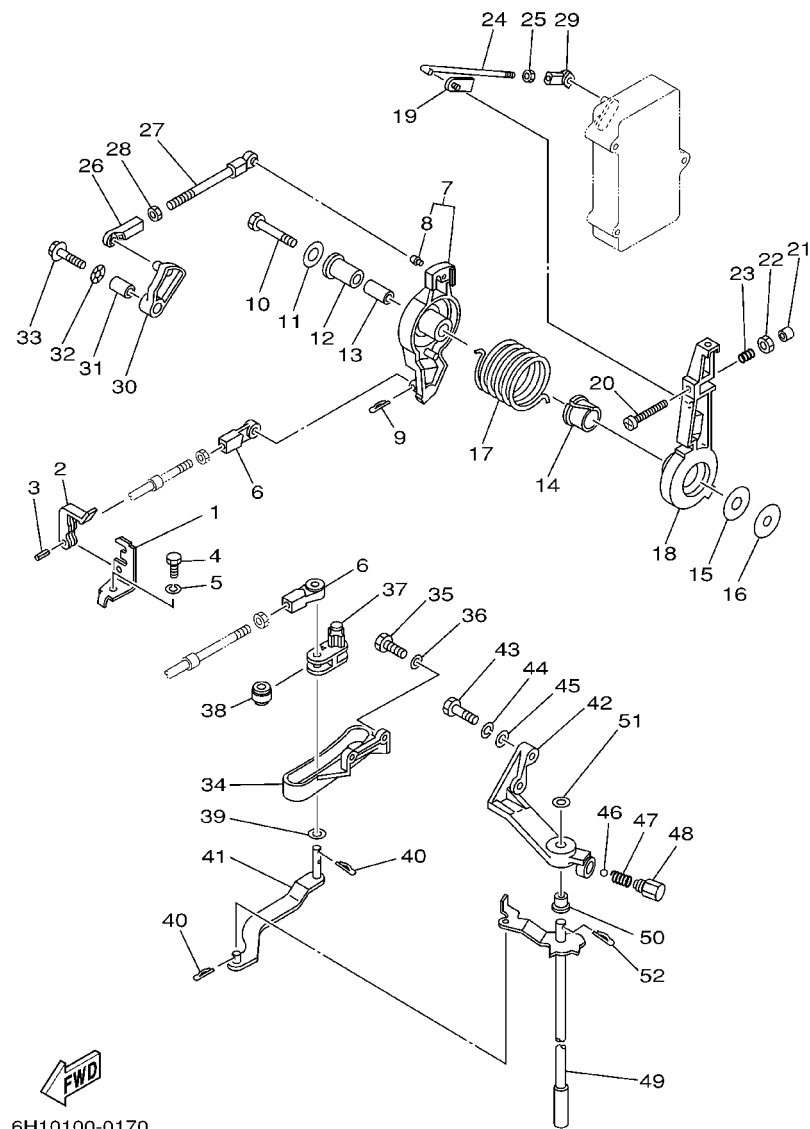


6H10100-0170

FIG. 12 CONTROL

COMMANDE

REF. NO.	PART NO. NO. PIECES	DESCRIPTION DESCRIPTION	75C	90A	REMARKS REMARQUES
1	663-48531-00	BRACKET, REMOTE CONTROL ETRIER 1, COMMANDE A DISTANCE	1	1	
2	663-48538-00	CLAMP, CABLE 1 COLLIER	1	1	
3	91690-30012	PIN, SPRING AGRAFFE	1	1	
4	97095-08016	BOLT BOULON	1	1	
5	92995-08100	WASHER RONDELLE	1	1	
6	663-48344-00	CABLE END, REMOTE CONTROL CHAPE CABLE	2	2	
7	688-41632-01-94	LEVER, MAGNETO CONTROL LEVIER, COMMANDE D'AVANCE	1	1	
8	662-41214-01	JOINT 1 RACCORD 1	1	1	
9	90468-18008	CLIP JONC	1	1	
10	97095-08045	BOLT BOULON	1	1	
11	90201-08M23	WASHER, PLATE RONDELLE, PLATE	1	1	
12	90386-12089	BUSH DOUILLE	1	1	
13	90387-08M16	COLLAR COLLERETTE	1	1	
14	90386-22M13	BUSH DOUILLE	1	1	
15	90202-12092	WASHER, PLATE RONDELLE, PLATE	1	1	
16	90201-08M13	WASHER, PLATE RONDELLE, PLATE	1	1	
17	90508-29M05	SPRING, TORSION RESSORT, TORSION	1	1	
18	688-41631-01-94	LEVER, MAGNETO CONTROL LEVIER, COMMANDE D'AVANCE	1	1	
19	6F5-41237-00	JOINT, LINK RACCORD	1	1	
20	90157-06013	SCREW, PAN HEAD VIS, TETE TRONCONIQUE	1	1	
21	688-44194-00	CAP CAPUCHON	1	1	
22	95303-06600	NUT ECROU	1	1	
23	90501-16M12	SPRING, COMPRESSION RESSORT, COMPRESSION	1	1	
24	6H1-41636-00	ROD, MAGNETO CONTROL BIELLETTTE, COMMANDE D'AVANCE	1	1	
25	95380-05600	NUT ECROU	1	1	
26	662-41237-01	JOINT, LINK RACCORD	1	1	
27	688-41211-01	LINK, ACCEL. BIELLETTTE, ACCELERATION	1	1	



6H10100-0170

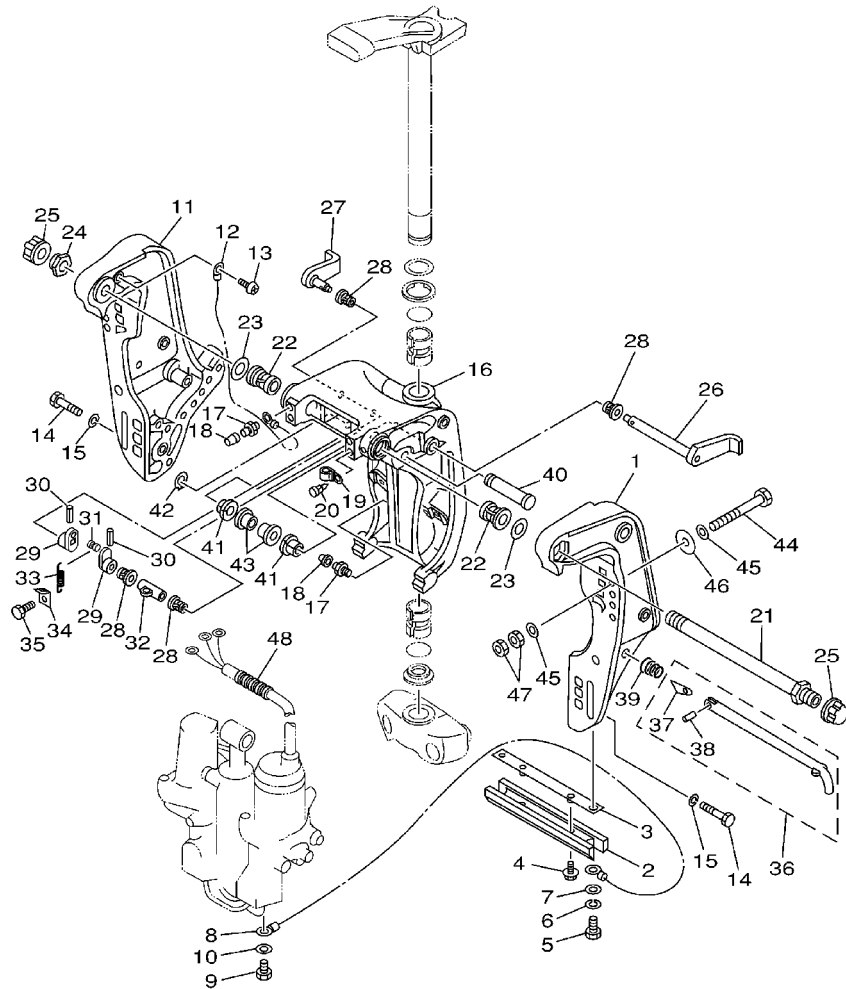
FIG. 12 CONTROL

COMMANDE

REF. NO.	PART NO. NO. PIECES	DESCRIPTION DESCRIPTION	75C	90A	REMARKS REMARQUES
28	95380-05600	NUT ECROU	1	1	
29	682-41237-00	JOINT, LINK RACCORD	1	1	
30	6H1-41213-00	CAM, ACCEL. CAME, ACCELERATION	1	1	
31	90387-06M17	COLLAR COLLERETTE	1	1	
32	90206-10M04	WASHER, WAVE RONDELLE, ONDULEE	1	1	
33	90119-06M24	BOLT, WITH WASHER BOULON, AVEC RONDELLE	1	1	
34	688-44117-00-94	BRACKET SUPPORT	1	1	
35	97013-06020	BOLT BOULON	2	2	
36	92903-06600	WASHER, PLATE RONDELLE, PLATE	2	2	
37	688-44124-00	LINK, SHIFT ROD BIELLETTTE	1	1	
38	688-44122-00	BUSHING, SHIFT ROD LEVER DOUILLE, LEVIER D'EMBRAYAGE	1	1	
39	90202-07M07	WASHER, PLATE RONDELLE, PLATE	1	1	
40	90468-18008	CLIP JONC	3	3	
41	6H1-44121-00	LEVER, SHIFT ROD LEVIER, TIGE D'INVERSION	1	1	
42	688-44118-00-94	BRACKET SUPPORT	1	1	
43	97013-08030	BOLT BOULON	2	2	
44	92903-08100	WASHER, SPRING RONDELLE, GROWER	2	2	
45	92903-08600	WASHER, PLATE RONDELLE, PLATE	2	2	
46	93501-04M02	BALL BILLE	1	1	
47	90501-12082	SPRING, COMPRESSION RESSORT, COMPRESSION	1	1	
48	648-42715-00	BUSHING COUSSINET	1	1	
49	6H1-44120-12	HANDLE GEAR SHIFT ASSY LEVIER D'EMBRAYAGE	1	1	L
50	90386-07M58	BUSH DOUILLE	1	1	
51	92990-08200	WASHER, PLAIN RONDELLE, PLATE	1	1	
52	90468-18008	CLIP JONC	1	1	

FIG. 13 BRACKET 1

SUPPORT 1

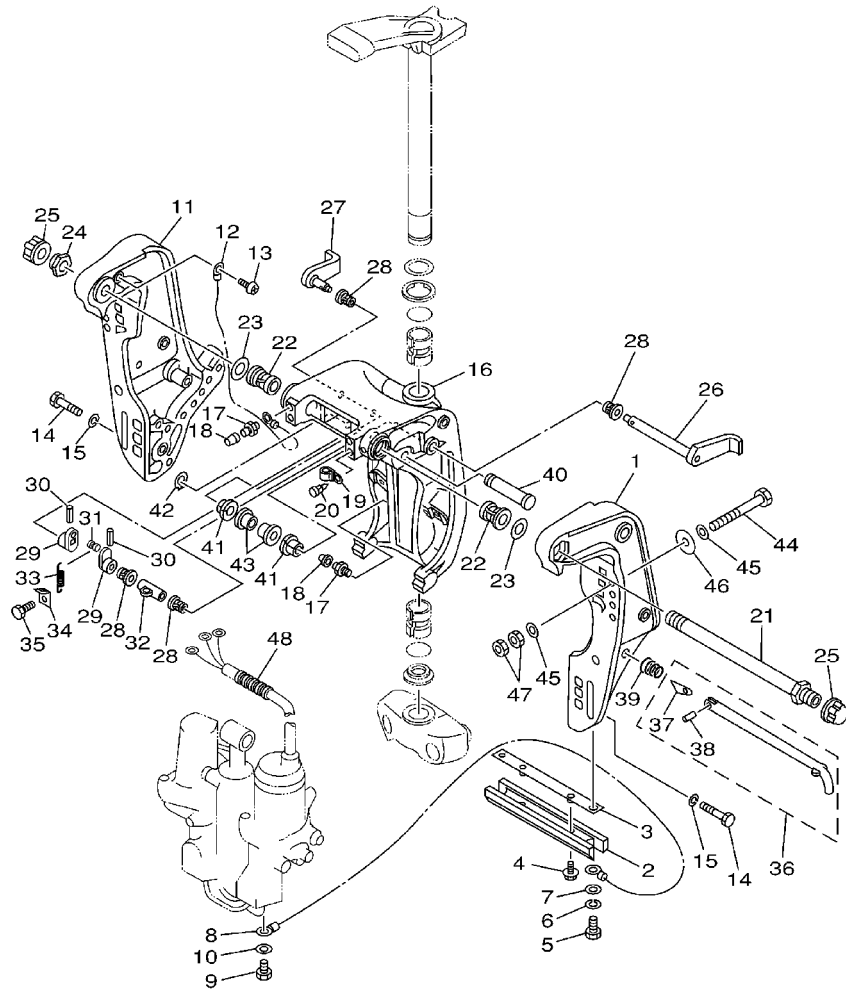


6H10010-0151

REF. NO.	PART NO. NO. PIECES	DESCRIPTION DESCRIPTION	75C	90A	REMARKS REMARQUES
1	6H1-43111-01-4D	BRACKET, CLAMP PRESSE	1	1	
2	6H1-45251-03	ANODE ANODE	1	1	
3	6H1-44526-00	PLATE PLAQUE	1	1	
4	90119-06M29	BOLT, WITH WASHER BOULON, AVEC RONDELLE	2	2	
5	97095-06016	BOLT BOULON	2	2	
6	92995-06100	WASHER, SPRING RONDELLE, GROWER	2	2	
7	92995-06600	WASHER RONDELLE	2	2	
8	6H1-82148-00	WIRE, LEAD 4 FIL 4	1	1	
9	97095-06010	BOLT BOULON	1	1	
10	92995-06600	WASHER RONDELLE	1	1	
11	6H1-43112-00-4D	BRACKET, CLAMP PRESSE	1	1	
12	6E5-82148-00	WIRE, LEAD 4 FIL 4	1	1	
13	97880-06012	SCREW, PAN HEAD VIS, TETE TRONCONIQUE	1	1	
14	97095-10045	BOLT BOULON	6	6	
15	92995-10100	WASHER RONDELLE	6	6	
16	6H1-43311-01-4D	BRACKET, SWIVEL 1 SUPPORT, PIVOT 1	1	1	
17	93700-06M03	NIPPLE, GREASE PION	3	3	
18	663-45119-00	CAP, GREASE NIPPLE CAPUCHON, GRAISSEUR	3	3	
19	90464-11M18	CLAMP BRIDE	1	1	
20	90338-05M03	PLUG PLOT	1	1	
21	688-43131-03	BOLT, CLAMP BRACKET BOULON, PRESSE	1	1	
22	90386-22M15	BUSH DOUILLE	2	2	
23	90201-22M67	WASHER, PLATE RONDELLE, PLATE	2	2	
24	90185-22043	NUT, SELF-LOCKING ECROU, AUTO-BLOCANT	1	1	
25	6G5-43145-01	CAP, CLAMP BRACKET CAPUCHON, PRESSE	2	2	
26	6H1-43181-01	LEVER, TILT STOP LEVIER, VERROUILLAGE RELEVAGE	1	1	
27	6H1-43185-01	LEVER, TILT STOP LEVIER, VERROUILLAGE RELEVAGE	1	1	

FIG. 13 BRACKET 1

SUPPORT 1

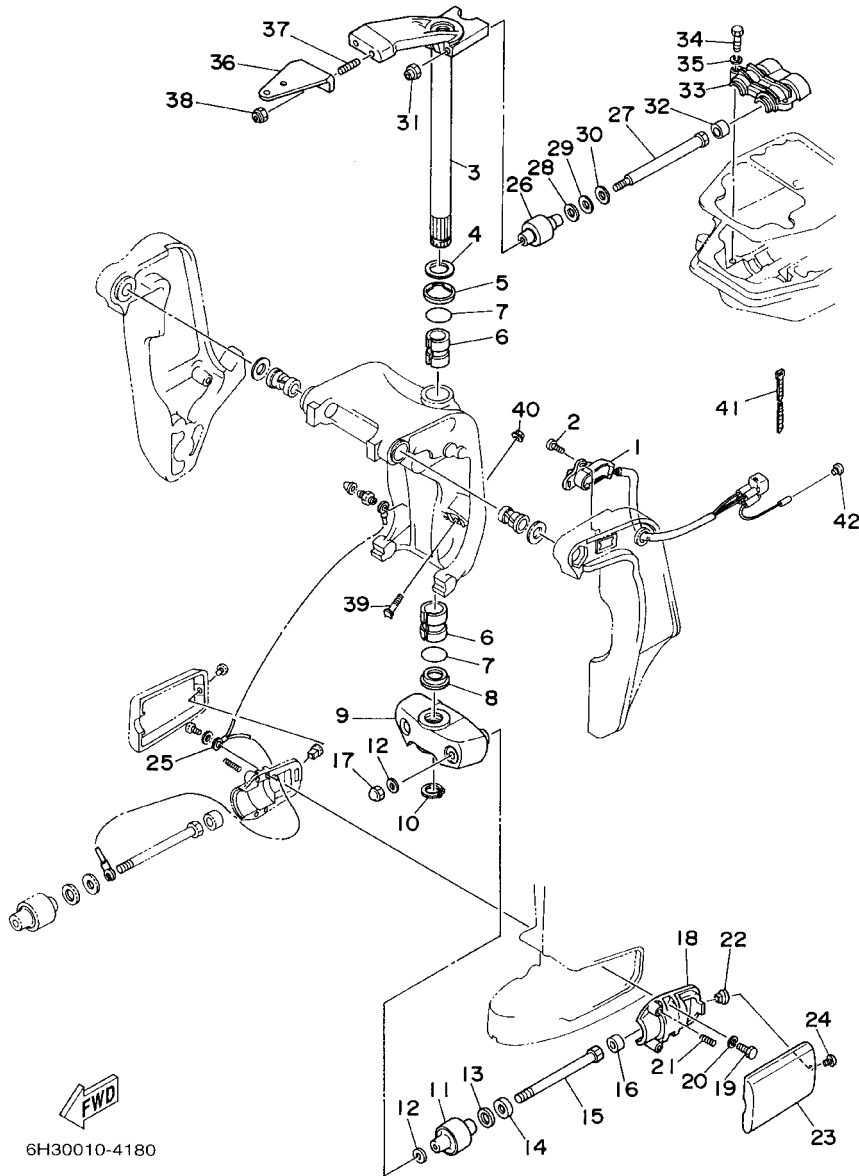


6H10010-0151

REF. NO.	PART NO. NO. PIECES	DESCRIPTION DESCRIPTION	75C	90A	REMARKS REMARQUES
28	90386-10M16	BUSH DOUILLE	4	4	
29	6G5-43148-00	COLLAR, DISTANCE ENTRETOISE	2	2	
30	91690-30020	PIN, SPRING AGRAFFE	2	2	
31	90249-06M19	PIN GOUVILLE	1	1	
32	90387-10M02	COLLAR COLLERETTE	1	1	
33	90506-14M24	SPRING, TENSION RESSORT, TENSION	1	1	
34	6G5-43144-00	HOOK, SPRING CROCHET	1	1	
35	97095-06010	BOLT BOULON	1	1	
36	688-43160-01	TILT ROD ASSY BROCHE D'INCLINAISON (ENS.)	1	1	
37	688-43165-00	.PLATE, TILT LOCK .TAQUET, BROCHE INCLINAISON	1	1	
38	91690-30012	.PIN, SPRING .AGRAFFE	1	1	
39	90502-16M02	SPRING, CONICAL RESSORT, CONIQUE	1	1	
40	6E5-43126-02	PIN, UPPER SHOCK MOUNT AXE, SUPERIEUR AMORTISSEUR	1	1	
41	90386-18M35	BUSH DOUILLE	2	2	
42	93410-18M02	CIRCLIP CLIPS	1	1	
43	90386-18M63	BUSH DOUILLE	2	2	
44	90101-12M65	BOLT BOULON	4	4	
45	92995-12200	WASHER RONDELLE	8	8	
46	90201-12426	WASHER, PLATE RONDELLE, PLATE	4	4	
47	95380-12600	NUT ECROU	8	8	
48	90440-14M00	PIPE DURITE	1	1	

FIG. 14 BRACKET 2

SUPPORT 2

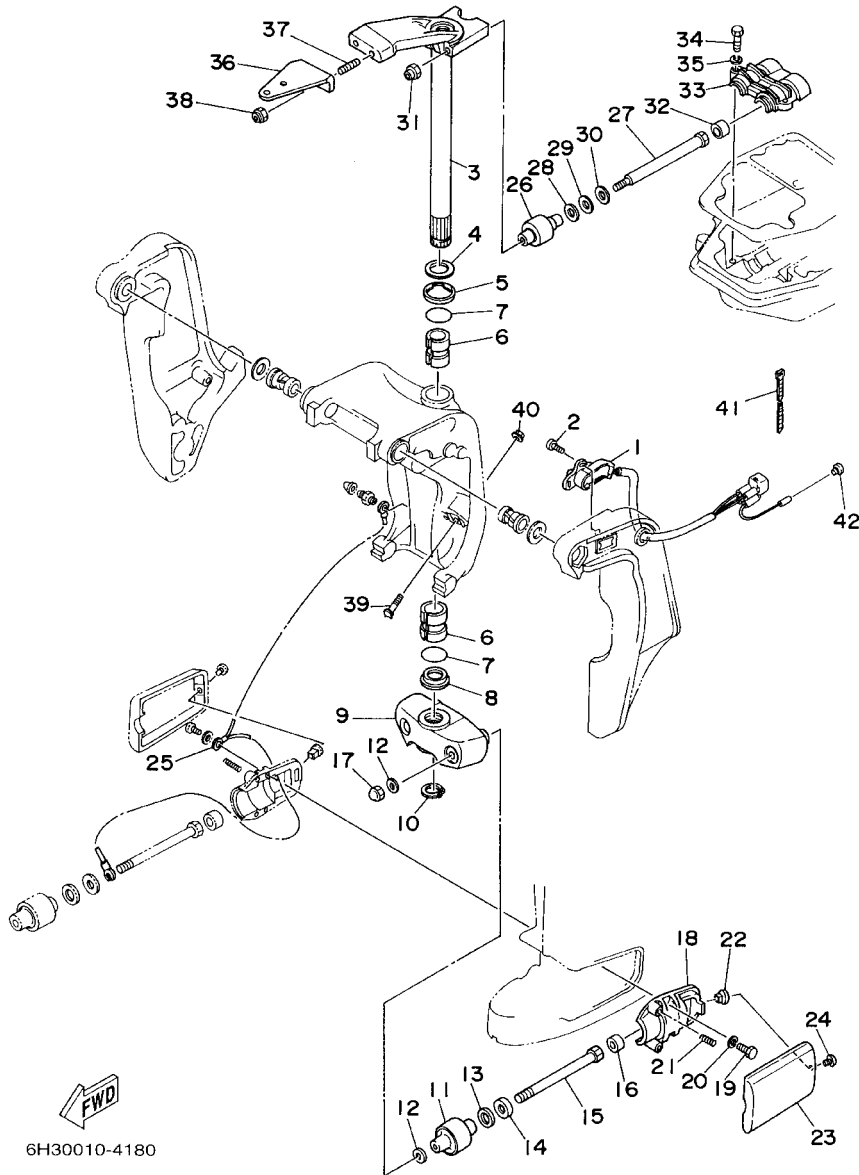


6H30010-4180

REF. NO.	PART NO. NO. PIECES	DESCRIPTION DESCRIPTION	75C	90A	REMARKS REMARQUES
1	6H1-83672-12	TRIM SENDER INCLINER RACCORD	1	1	
2	97885-06016	SCREW, PAN HEAD VIS, A ENCOCHE	2	2	
3	688-42510-02-4D	STEERING BRACKET ASSY DIRECTION SUPPORT (ENS.)	1	1	
4	90201-30M00	WASHER, PLATE RONDELLE, PLATE	1	1	
5	90386-30M78	BUSH DOUILLE	1	1	
6	90386-30M77	BUSH DOUILLE	2	2	
7	93210-29M94	O-RING JOINT TORIQUE	2	2	
8	90386-30M60	BUSH DOUILLE	1	1	
9	663-44551-02-4D	HOUSING, LOWER MOUNT RUBBER BOITIER, SILENT-BLOC INFERIEUR	1	1	
10	93410-28M06	CIRCLIP CLIPS	1	1	
11	687-44555-00-94	MOUNT DAMPER, LOWER SIDE SILENT-BLOC, INFERIEUR LATERAL	2	2	
12	90201-12M16	WASHER, PLATE RONDELLE, PLATE	4	4	
13	90202-25M04	WASHER, PLATE RONDELLE, PLATE	2	2	
14	90201-13M19	WASHER, PLATE RONDELLE, PLATE	2	2	
15	90109-12261	BOLT BOULON	2	2	
16	663-44575-00	DAMPER, LOWER MOUNT RUBBER SILENT-BLOC, INFERIEUR	2	2	
17	95380-12800	NUT, CROWN ECROU, BORGNE	2	2	
18	687-44552-02-94	HOUSING, LOWER MOUNT RUBBER BOITIER, SILENT-BLOC INFERIEUR	2	2	
19	97075-08025	BOLT BOULON	4	4	
20	92995-08100	WASHER RONDELLE	4	4	
21	90501-14M08	SPRING, COMPRESSION RESSORT, COMPRESSION	4	4	
22	90179-06066	NUT ECROU	2	2	
23	663-44553-01-4D	COVER, LOWER MOUNT COUVERCLE, SUSPENSION INFERIEUR	2	2	
24	97885-06016	SCREW, PAN HEAD VIS, A ENCOCHE	2	2	
25	688-82127-02	WIRE, LEAD 2 FIL 2	1	1	
26	688-44514-00-94	MOUNT DAMPER, UPPER SIDE SILENT-BLOC, SUPERIEUR LATERAL	2	2	
27	90101-10M49	BOLT BOULON	2	2	

FIG. 14 BRACKET 2

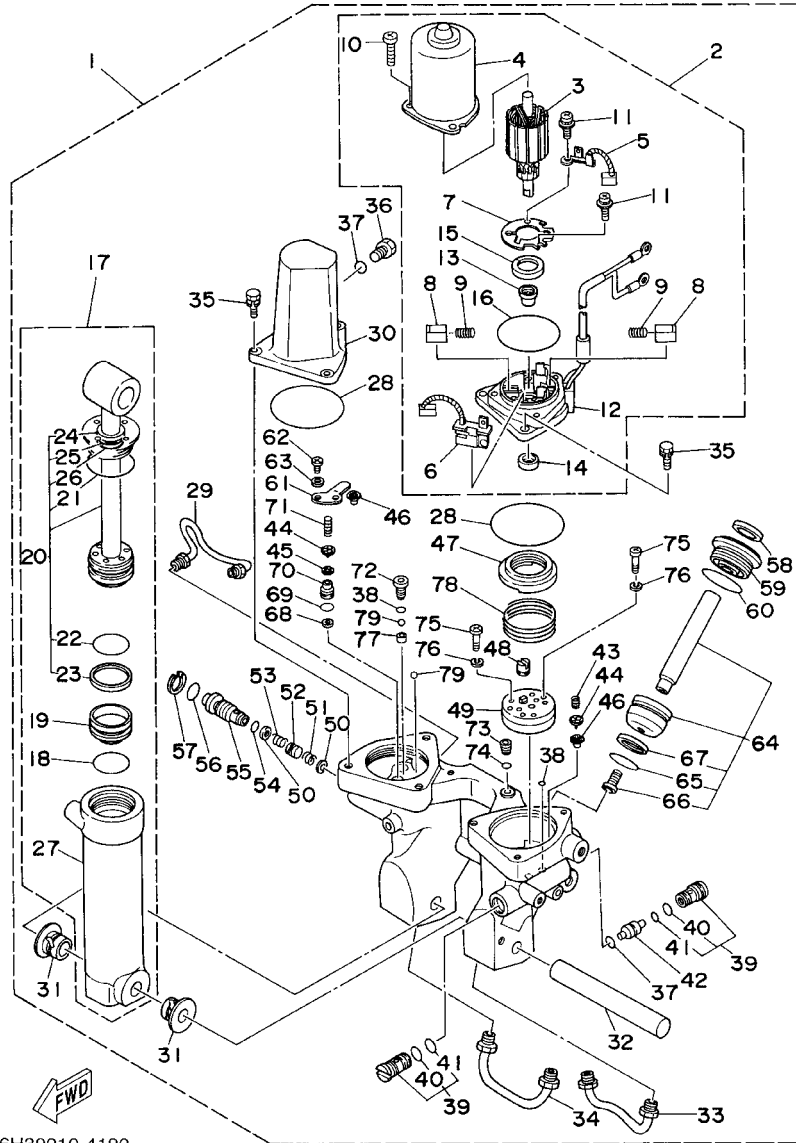
SUPPORT 2



REF. NO.	PART NO. NO. PIECES	DESCRIPTION DESCRIPTION	75C	90A	REMARKS REMARQUES
28	90201-20M21	WASHER, PLATE RONDELLE, PLATE	2	2	
29	90202-20M06	WASHER, PLATE RONDELLE, PLATE	2	2	
30	90201-11M22	WASHER, PLATE RONDELLE, PLATE	2	2	
31	90185-10051	NUT, SELF-LOCKING ECROU, AUTO-BLOCANT	2	2	
32	663-44575-00	DAMPER, LOWER MOUNT RUBBER SILENT-BLOC, INFERIEUR	2	2	
33	688-44511-00-94	COVER, UPPER MOUNT COUVERCLE, SUSPENSION SUPERIEUR	1	1	
34	97075-08035	BOLT BOULON	3	3	
35	92995-08100	WASHER RONDELLE	3	3	
36	688-48511-11-4D	HOOK, STEERING ATTACHE, DIRECTION	1	1	STEERING GUIDE
37	90116-10175	BOLT, STUD GOUJON		2	
	90116-10M28	BOLT, STUD GOUJON	2		
38	90185-10051	NUT, SELF-LOCKING ECROU, AUTO-BLOCANT	2	2	
39	6H1-43376-00	BOLT, THRUST RECEIVER BOULON	2	2	
40	90185-08057	NUT, SELF-LOCKING ECROU, AUTO-BLOCANT	2	2	
41	90465-11M10	CLAMP BRIDE	3	3	
42	703-82119-00	COVER, LEAD WIRE GARNITURE, FIL	1	1	AP

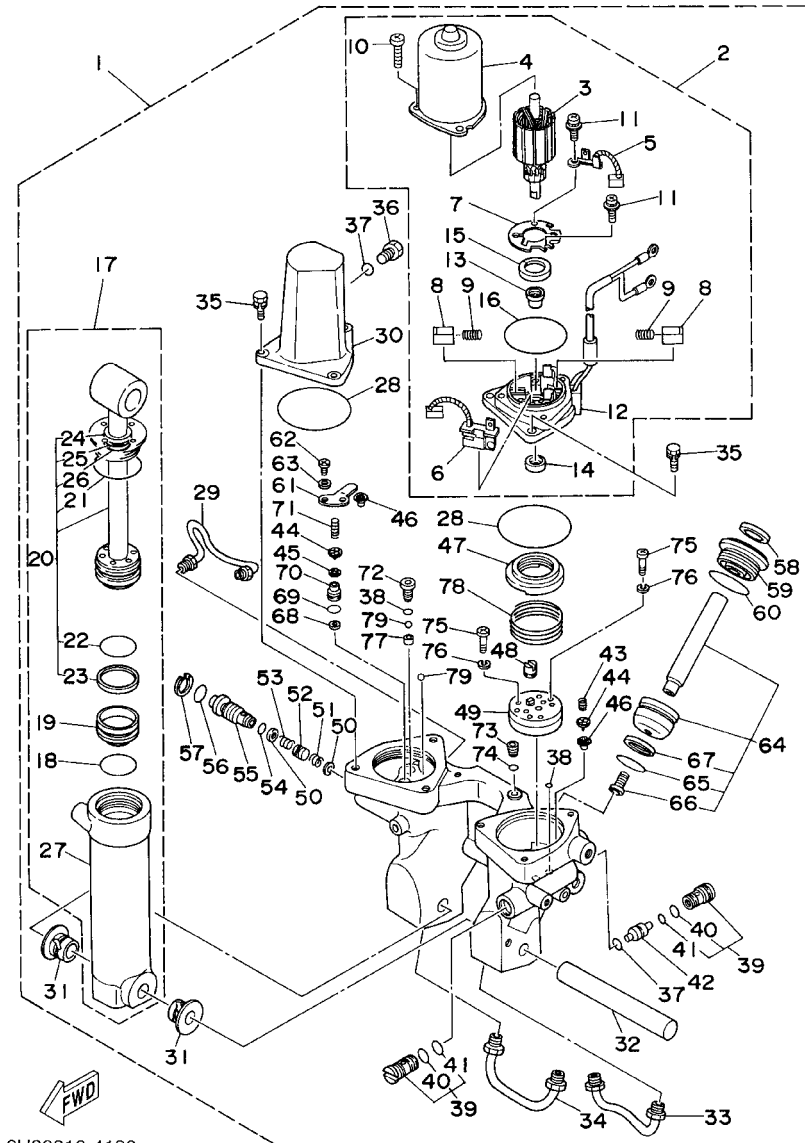
FIG. 15 POWER TRIM & TILT ASSY

PUISSANCE PARER ET INCLINER



6H30010-4190

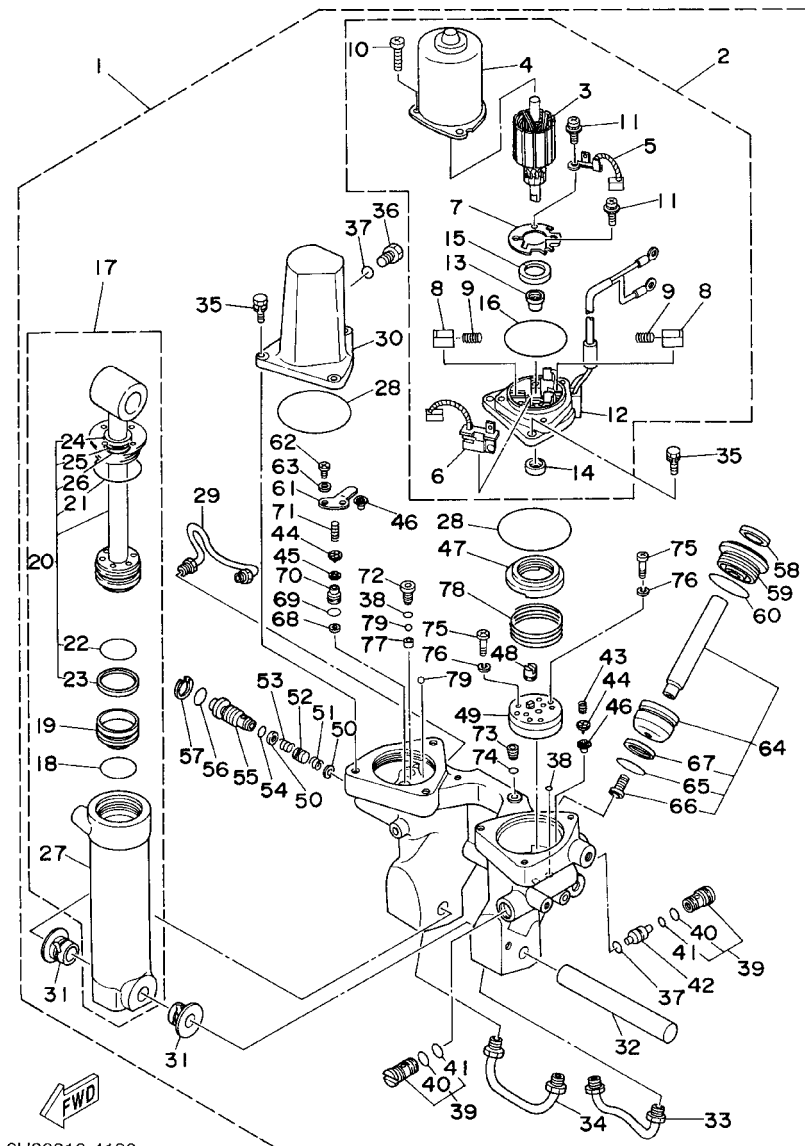
REF. NO.	PART NO. NO. PIECES	DESCRIPTION DESCRIPTION	75C	90A	REMARKS REMARQUES
1	6H1-43800-17-4D	POWER TRIM & TILT ASSY PUISSANCE PARER ET INCLINER (ENS.)	1	1	
2	6H1-43880-02	..MOTOR ASSY ..MOTEUR (ENS.)	1	1	
3	6H1-43805-10	..ARMATURE ASSY ..INDUIT (ENS.)	1	1	
4	6H1-43804-10	..STATOR ASSY ..STATOR (ENS.)	1	1	
5	6H1-43891-10	..BRUSH 1 ..BALAI 1	1	1	
6	6H1-43892-10	..BRUSH 2 ..BALAI 2	1	1	
7	6H1-4380F-10	..PLATE, BRUSH HOLDER ..PLAQUE	1	1	
8	6H1-4380J-10	..HOLDER, BRUSH ..PORTE-BALAI	2	2	
9	6H1-4386K-10	..SPRING, BRUSH ..RESSORT, BALAI	2	2	
10	97885-05016	..SCREW, PAN HEAD ..VIS, A ENCOCHE	3	3	
11	97607-04310	..SCREW, WITH WASHER ..VIS HEXAGONAL	2	2	
12	6H1-43881-10	..FRAME, END ..BATI	1	1	
13	6H1-4380H-10	..METAL ..METAL	1	1	
14	93102-08M43	..OIL SEAL ..JOINT SPY	1	1	
15	6H1-4380G-10	..PLATE ..PLAQUE	1	1	
16	6H1-43865-10	..O-RING ..JOINT TORIQUE	1	1	
17	6H1-43840-11	..POWER TILT ASSY ..PUISSANCE INCLINER (ENS.)	1	1	
18	6H1-43861-10	..O-RING ..JOINT TORIQUE	1	1	
19	6H1-43814-11	..PISTON, FREE ..PISTON	1	1	
20	6H1-43810-11	..TILT PISTON SUB ASSY ..INCLINER PISTON AUXILIAIRE (ENS.)	1	1	
21	6H1-43861-00	..O-RING ..JOINT TORIQUE	1	1	
22	6H1-43861-10	..O-RING ..JOINT TORIQUE	1	1	
23	6H1-43871-10	..RING, BACK UP ..SEGMENT	1	1	
24	6H1-43812-00	..SEAL, DUST ..JOINT	1	1	
25	6H1-43872-10	..RING, BACK UP ..RESSORT	1	1	
26	93210-18397	..O-RING ..JOINT TORIQUE	1	1	
27	6H1-43813-10	..CYLINDER, TILT ..CYLINDRE	1	1	



6H30010-4190

FIG. 15 POWER TRIM & TILT ASSY PUISSANCE PARER ET INCLINER

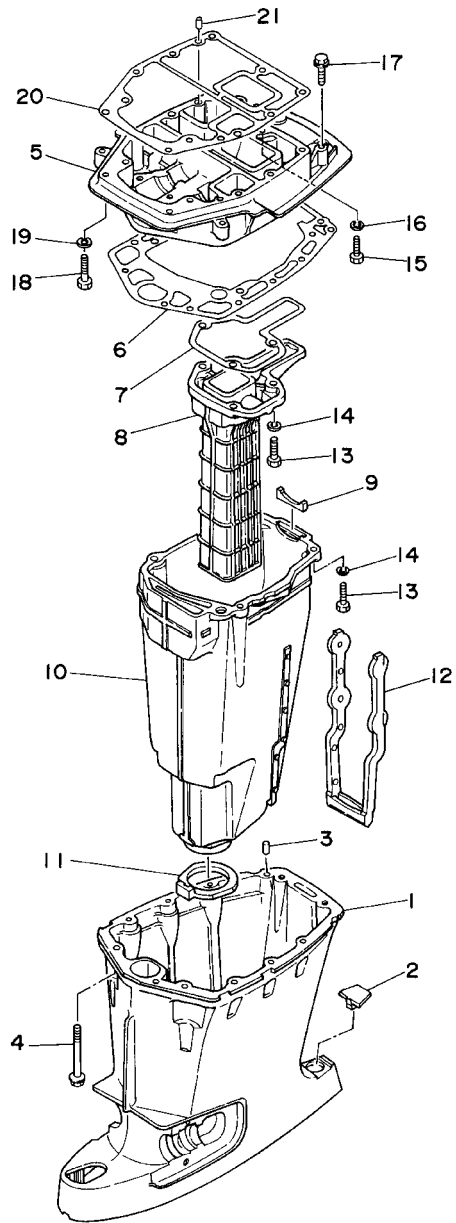
REF. NO.	PART NO. NO. PIECES	DESCRIPTION DESCRIPTION	75C	90A	REMARKS REMARQUES
28	93210-64488	.O-RING .JOINT TORIQUE	2	2	
29	6H1-43835-10	.PIPE .TUYAU	1	1	
30	6H1-43828-10	.BODY, RESERVOIR .CORPS	1	1	
31	90386-18M14	.BUSH .DOUILLE	2	2	
32	6E5-43818-00	.PIN, LOWER SHOCK MOUNT .AXE, INFERIEUR AMORTISSEUR	1	1	
33	6H1-43833-10	.PIPE .TUYAU	1	1	
34	6H1-43834-00	.PIPE .TUYAU	1	1	
35	97595-06420	.BOLT, WITH WASHER .VIS HEXAGONAL AVC RONDELLE	6	6	
36	6H1-43829-00	.PLUG, RESERVOIR .BOUCHON	1	1	
37	93210-09165	.O-RING .JOINT TORIQUE	2	2	
38	93210-064A5	.O-RING .JOINT TORIQUE	1	1	
39	67F-43802-00	.VALVE SUB ASSY .CLAPET AUXILIAIRE (ENS.)	2	2	
40	6H1-43866-00	.O-RING .JOINT TORIQUE	1	1	
41	6H1-43867-00	.O-RING .JOINT TORIQUE	1	1	
42	6H1-43841-11	.PISTON, SHUTTLE .PISTON	1	1	
43	6H1-43856-10	.SPRING, DOWN RELIEF .RESSORT	1	1	
44	6H1-43844-10	.PIN, VALVE SUPPORT .GOUILLE	2	2	
45	6H1-4384G-11	.SEAL, RELIEF VALVE .JOINT	1	1	
46	6H1-4384F-10	.SEAL, MAIN VALVE .JOINT	2	2	
47	6H1-43817-01	.FILTER 2 .FILTRE 2	1	1	
48	6H1-43831-10	.CONNECTOR, SHAFT .RACCORD	1	1	
49	6H1-43830-11	.GEAR PUMP ASSY .POMPE A PIGNON (ENS.)	1	1	
50	6H1-43847-00	.SEAT, MANUAL VALVE .SIEGE	2	2	
51	6H1-43899-00	.SPRING, MANUAL RELEASE .RESSORT	1	1	
52	6H1-4382A-10	.ADAPTOR 1 .ADAPTEUR 1	1	1	
53	6H1-43854-00	.SPRING, MANUAL RELEASE .RESSORT	1	1	
54	93210-10M74	.O-RING .JOINT TORIQUE	1	1	



6H30010-4190

FIG. 15 POWER TRIM & TILT ASSY PUISSANCE PARER ET INCLINER

REF. NO.	PART NO. NO. PIECES	DESCRIPTION DESCRIPTION	75C	90A	REMARKS REMARQUES
55	6H1-43845-00	.SCREW, MANUAL RELEASE .VIS	1	1	
56	93210-18M75	.O-RING .JOINT TORIQUE	1	1	
57	6H1-43875-00	.RING, SNAP .RESSORT	1	1	
58	6H1-43822-10	.SEAL, TRIM DUST .JOINT	2	2	
59	6H1-43821-11	.SCREW, TRIM CYLINDER END .VIS	2	2	
60	6H1-43861-10	.O-RING .JOINT TORIQUE	2	2	
61	6H1-4384E-20	.SPRING, TRIM .RESSORT	1	1	
62	98501-05010	.SCREW, PAN HEAD .VIS	2	2	
63	92901-05200	.WASHER, PLAIN .RONDELLE, PLATE	2	2	
64	6H1-43820-11	.TRIM PISTON SUB ASSY .PARER PISTON AUXILIAIRE_(ENS.)	2	2	
65	6H1-43864-00	..O-RING ..JOINT TORIQUE	1	1	
66	91318-08016	..BOLT ..BOULON	1	1	
67	6H1-43874-00	..RING, BACK UP ..RESSORT	1	1	
68	6H1-43816-00	.FILTER 1 .FILTRE 1	1	1	
69	6H1-43896-00	.O-RING .JOINT TORIQUE	1	1	
70	6H1-43895-12	.SEAT, RELIEF VALVE .SIEGE	1	1	
71	6H1-43855-11	.SPRING, UP RELIEF .RESSORT	1	1	
72	6H1-43843-11	.SCREW, VALVE LOCK .VIS	1	1	
73	6H1-4388E-11	.PLUG, TAPER SCREW BOUCHON	1	1	
74	6H1-43868-00	.O-RING .JOINT TORIQUE	1	1	
75	98501-04025	.SCREW, PAN HEAD .VIS	4	4	
76	92901-04100	.WASHER, SPRING .RONDELLE, GROWER	4	4	
77	6H1-4387J-00	.WASHER, SPECIAL 2 .RONDELLE	1	1	
78	6H1-4385H-00	.SPRING, SEAL .RESSORT	1	1	
79	93505-32038	.BALL .BILLE ROULEMENT	2	2	



6H10110-4190

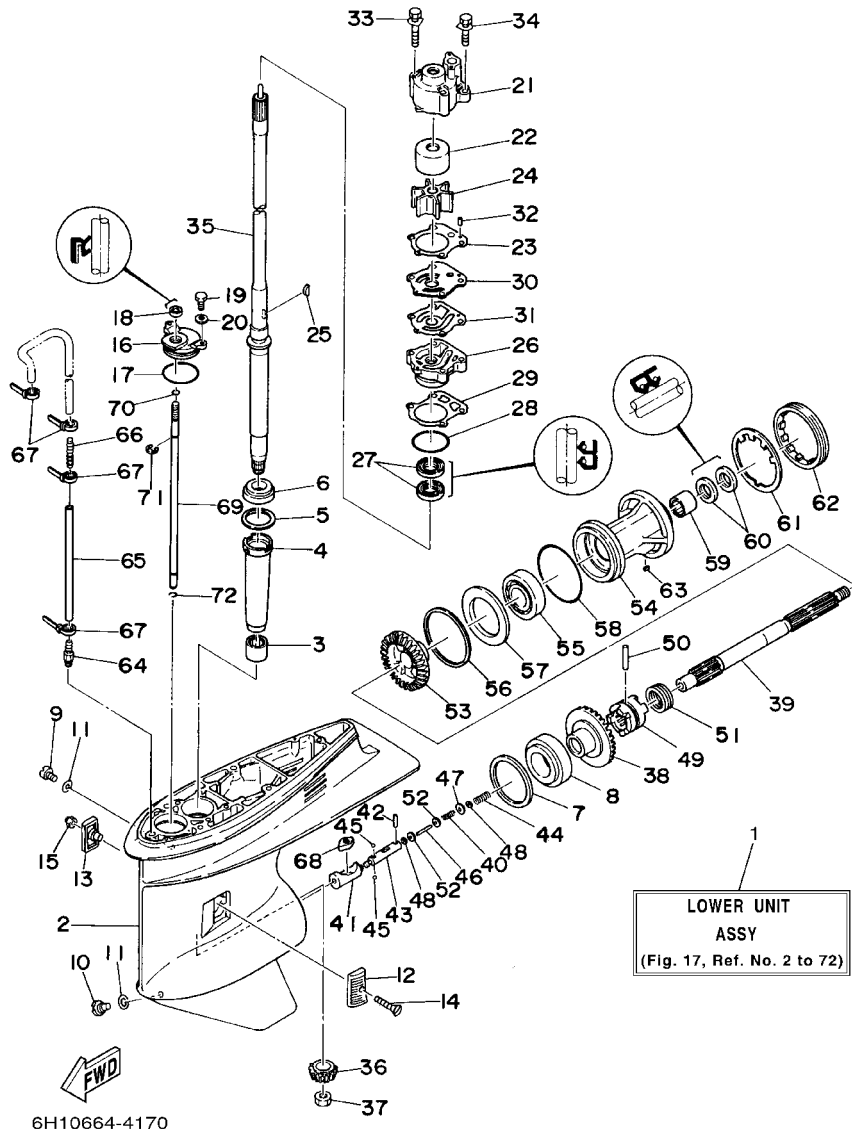
FIG. 16 UPPER CASING

FOURREAU

REF. NO.	PART NO. NO. PIECES	DESCRIPTION DESCRIPTION	75C	90A	REMARKS REMARQUES
1	688-45111-04-4D	CASING, UPPER FOURREAU	1	1	
2	663-45155-10	CAP CAPUCHON	1	1	
3	93606-12019	PIN, DOWEL GOUPILLE	2	2	
4	90119-08M80	BOLT, WITH WASHER BOULON, AVEC RONDELLE	8	8	
5	688-41137-03-94	GUIDE, EXHAUST COLLECTEUR D'ECHAPPEMENT	1	1	
6	688-45114-A1	GASKET, UPPER CASING JOINT, TUBE D'ARBRE	1	1	
7	688-41134-A0	GASKET, EXHAUST MANIFOLD JOINT, PIPE D'ECHAPPEMENT	1	1	
8	688-41131-00-5B 692-41131-00-5B	MANIFOLD, EXT. 1 PIPE D'ECHAPPEMENT MANIFOLD, EXT. 1 PIPE D'ECHAPPEMENT	1	1	
9	688-41133-00	GASKET, EXHAUST MANIFOLD 1 JOINT, PIPE D'ECHAPPEMENT	1	1	
10	688-14711-01-5B	MUFFLER 1 POT D'ECHAPPEMENT 1	1	1	
11	688-45123-00	GASKET, MUFFLER JOINT, POT DE DETENTE	1	1	
12	663-14737-10	DAMPER, MUFFLER AMORTISSEUR DE POT D'ECHAPPT	1	1	
13	97075-08030	BOLT BOULON	7	7	
14	92995-08100	WASHER RONDELLE	7	7	
15	97075-08025	BOLT BOULON	1	1	
16	92995-08100	WASHER RONDELLE	1	1	
17	90119-08M79	BOLT, WITH WASHER BOULON, AVEC RONDELLE	2	2	
18	97075-08035	BOLT BOULON	2	2	
19	92995-08100	WASHER RONDELLE	2	2	
20	688-45113-A0	GASKET, UPPER CASING JOINT, TUBE D'ARBRE	1	1	
21	93606-12019	PIN, DOWEL GOUPILLE	2	2	

FIG. 17 LOWER CASING. DRIVE 1

BOITIER D'HELICE, TRANSMISSION 1

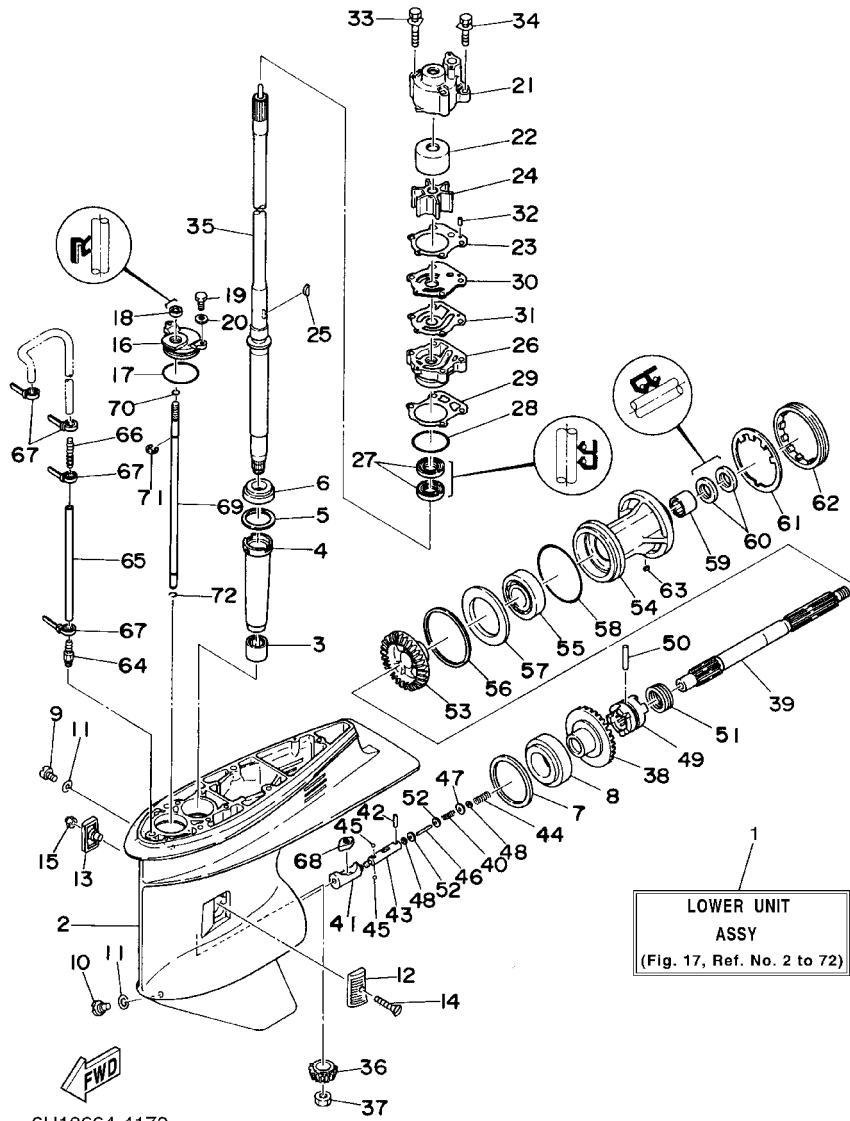


6H10664-4170

REF. NO.	PART NO. NO. PIECES	DESCRIPTION DESCRIPTION	75C	90A	REMARKS REMARQUES
1	6H1-45300-15-4D	LOWER UNIT ASSY UNITE INFERIEURE (ENS.)	1	1	L
2	6H1-45301-03-4D	CASING, LOWER BEQUILLE	1	1	
3	93315-325V1	BEARING ROULEMENT	1	1	
4	688-45536-01	SLEEVE, DRIVE SHAFT MANCHON, ARBRE MOTEUR	1	1	
5	688-45587-01-10	SHIM (T:0.10MM) CALE (T:0.10MM)	1	1	UR
688-45587-01-12	SHIM (T:0.12MM) CALE (T:0.12MM)	1	1	UR	
688-45587-01-15	SHIM (T:0.15MM) CALE (T:0.15MM)	1	1	UR	
688-45587-01-18	SHIM (T:0.18MM) CALE (T:0.18MM)	1	1	UR	
688-45587-01-30	SHIM (T:0.30MM) CALE (T:0.30MM)	1	1	UR	
688-45587-01-40	SHIM (T:0.40MM) CALE (T:0.40MM)	1	1	UR	
688-45587-01-50	SHIM (T:0.50MM) CALE (T:0.50MM)	1	1	UR	
6	93332-000U3	BEARING ROULEMENT	1	1	
7	688-45567-01-10	SHIM (T:0.10MM) CALE (T:0.10MM)	1	1	UR
688-45567-01-12	SHIM (T:0.12MM) CALE (T:0.12MM)	1	1	UR	
688-45567-01-15	SHIM (T:0.15MM) CALE (T:0.15MM)	1	1	UR	
688-45567-01-18	SHIM (T:0.18MM) CALE (T:0.18MM)	1	1	UR	
688-45567-01-30	SHIM (T:0.30MM) CALE (T:0.30MM)	1	1	UR	
688-45567-01-40	SHIM (T:0.40MM) CALE (T:0.40MM)	1	1	UR	
688-45567-01-50	SHIM (T:0.50MM) CALE (T:0.50MM)	1	1	UR	
8	93332-000W7	BEARING ROULEMENT	1	1	
9	90340-08002	PLUG, STRAIGHT SCREW PLOT, FILETE DROIT	1	1	
10	688-45341-10	PLUG, DRAIN BOUCHON DE VIDANGE	1	1	
11	90430-08020	GASKET JOINT	2	2	
12	6H1-45214-00	COVER, WATER INLET GRILLE, ENTREE D'EAU	1	1	
13	6H1-45215-00	COVER, WATER INLET GRILLE, ENTREE D'EAU	1	1	
14	90151-05M00	SCREW, COUNTERSUNK VIS, TETE NOYEE	1	1	
15	90185-05002	NUT, SELF-LOCKING ECROU, AUTO-BLOCANT	1	1	

FIG. 17 LOWER CASING. DRIVE 1

BOITIER D'HELICE, TRANSMISSION 1

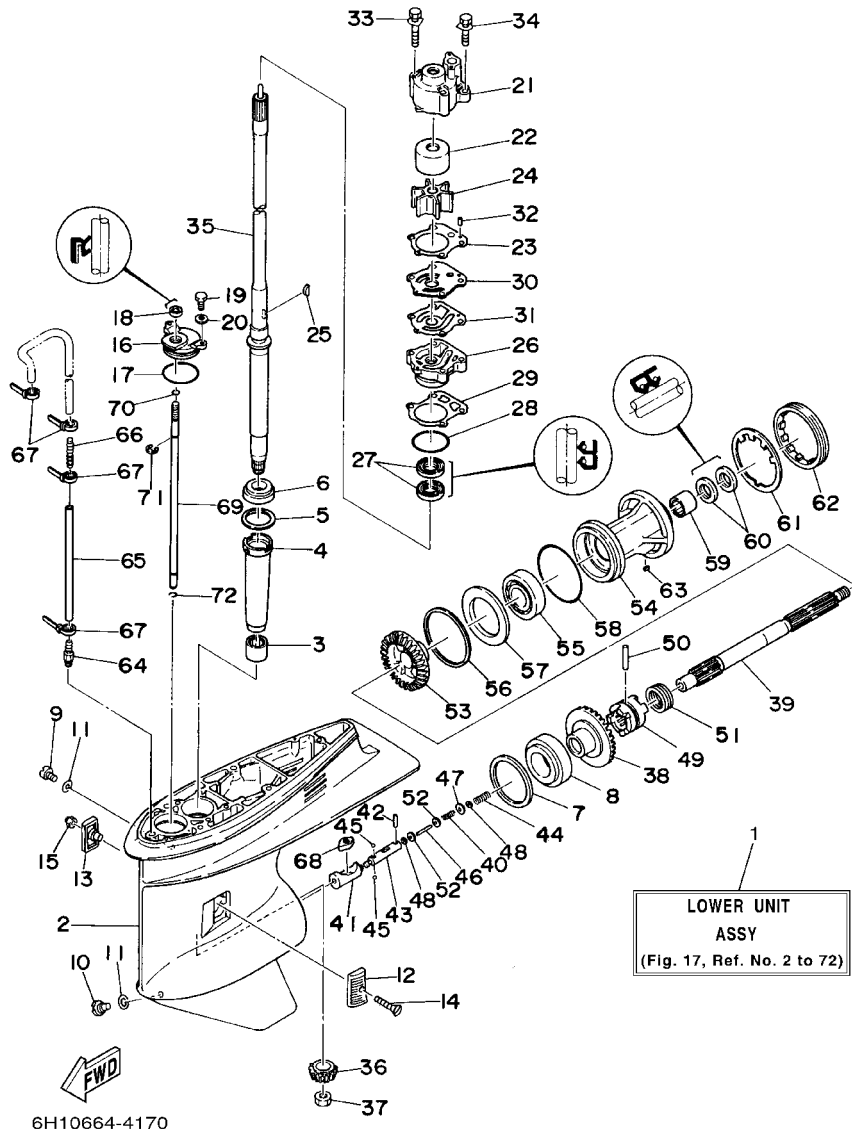


6H10664-4170

REF. NO.	PART NO. NO. PIECES	DESCRIPTION DESCRIPTION	75C	90A				REMARKS REMARQUES
16	688-45321-00	PLATE PLAQUETTE	1	1				
17	93210-49046	O-RING JOINT TORIQUE	1	1				
18	93106-09014	OIL SEAL JOINT SPY	1	1				
19	97095-06016	BOLT BOULON	2	2				
20	92995-06600	WASHER RONDELLE	2	2				
21	688-44311-01	HOUSING, WATER PUMP CORPS, POMPE A EAU	1	1				
22	688-44322-00	INSERT, CARTRIDGE CUVETTE	1	1				
23	688-44315-A0	GASKET, WATER PUMP JOINT, POMPE A EAU	1	1				
24	688-44352-03	IMPELLER TURBINE	1	1				
25	90280-04M04	KEY, WOODRUFF CLAVETTE, DEMI-LUNE	1	1				
26	688-44341-01-94	HOUSING, WATER PUMP CORPS, POMPE A EAU	1	1				
27	93101-25M03	OIL SEAL JOINT SPY	2	2				
28	93210-46044	O-RING JOINT TORIQUE	1	1				
29	688-44316-A0	GASKET, WATER PUMP JOINT, POMPE A EAU	1	1				
30	688-44323-00	OUTER PLATE, CARTRIDGE PLAQUE EXTERIEURE	1	1				
31	688-44324-A0	GASKET, CARTRIDGE JOINT	1	1				
32	93604-10M03	PIN, DOWEL CLAVETTE	2	2				
33	90119-08M16	BOLT, WITH WASHER BOULON, AVEC RONDELLE	2	2				
34	90119-08M13	BOLT, WITH WASHER BOULON, AVEC RONDELLE	2	2				
35	6H1-45501-11	DRIVE SHAFT COMP. ARBRE MOTEUR COMP.	1	1				L
36	688-45551-01	PIÑÓN PIGNON D'ATTAQUE	1	1				
37	90170-16M01	NUT ECROU	1	1				
38	688-45560-00	GEAR PIGNON	1	1				
39	6H1-45611-01	SHAFT, PROPELLER ARBRE, HELICE	1	1				
40	90501-12M48	SPRING, COMPRESSION RESSORT, COMPRESSION	1	1				
41	6H1-45641-01	SHIFTER EMBRAYAGE	1	1				
42	93603-12M11	PIN, DOWEL CLAVETTE	1	1				

FIG. 17 LOWER CASING. DRIVE 1

BOITIER D'HELICE, TRANSMISSION 1



REF. NO.	PART NO. NO. PIECES	DESCRIPTION DESCRIPTION	75C	90A	REMARKS REMARQUES
43	6H1-45634-02	SLIDE, SHIFT CONTRE-POUSOIR	1	1	
44	90501-16M65	SPRING, COMPRESSION RESSORT, COMPRESSION	1	1	
45	93503-16003	BALL BILLES	2	2	
46	6H1-45668-00	SHAFT, FREE AXE	1	1	
47	90201-03313	WASHER, PLATE RONDELLE, PLATE	1	1	
48	90183-02M03	NUT, SPRING ECROU, RESSORT	2	2	
49	6H1-45631-01	CLUTCH, DOG CRABOT	1	1	
50	90250-07M02	PIN, STRAIGHT GOUPILLE, DROITE	1	1	
51	688-45633-00	RING, CROSS PIN JONC, GOUPILLE CRABOT	1	1	
52	6H1-45635-00	PLUNGER, SHIFT POUSOIR D'EMBRAYAGE	2	2	
53	6H1-45571-00	GEAR PIGNON	1	1	
54	688-45331-00-94	HOUSING, BEARING FLASQUE, ROULEMENT	1	1	
55	93306-207U0	BEARING ROULEMENT	1	1	
56	688-45577-01-10	SHIM (T:0.10MM) CALE (T:0.10MM)	1	1	UR
	688-45577-01-12	SHIM (T:0.12MM) CALE (T:0.12MM)	1	1	UR
	688-45577-01-15	SHIM (T:0.15MM) CALE (T:0.15MM)	1	1	UR
	688-45577-01-18	SHIM (T:0.18MM) CALE (T:0.18MM)	1	1	UR
	688-45577-01-30	SHIM (T:0.30MM) CALE (T:0.30MM)	1	1	UR
	688-45577-01-40	SHIM (T:0.40MM) CALE (T:0.40MM)	1	1	UR
	688-45577-01-50	SHIM (T:0.50MM) CALE (T:0.50MM)	1	1	UR
57	688-45576-00	WASHER, THRUST RONDELLE DE CALAGE	1	1	
58	93210-85M97	O-RING JOINT TORIQUE	1	1	
59	93317-325U0	BEARING PIECE	1	1	
60	93101-25M03	OIL SEAL JOINT SPY	2	2	
61	688-45383-02	WASHER, CLAW FREIN D'ECROU	1	1	
62	688-45384-00	NUT ECROU	1	1	
63	90282-04010	KEY, STRAIGHT CLAVETTE, DROITE	1	1	

FIG. 17 LOWER CASING. DRIVE 1

BOITIER D'HELICE, TRANSMISSION 1

REF. NO.	PART NO. NO. PIECES	DESCRIPTION DESCRIPTION	75C	90A				REMARKS REMARQUES
64	6E5-45378-00	NIPPLE, HOSE RACCORD, TUYAU	1	1				
65	90445-07ME9	HOSE (L120) DURITE (L120)	1	1				L
66	6E5-83558-10	END, NIPPLE RACCORD DE NIPPLE	1	1				
67	90465-11M10	CLAMP BRIDE	4	4				
68	6H1-44151-00	CAM, SHIFT CAME, INVERSION	1	1				
69	6H1-44144-00	ROD, SHIFT TIGE D'EMBAYAGE	1	1				
70	93210-07003	O-RING JOINT TORIQUE	1	1				
71	99001-08600	CIRCLIP	1	1				
72	93450-07M00	CIRCLIP	1	1				

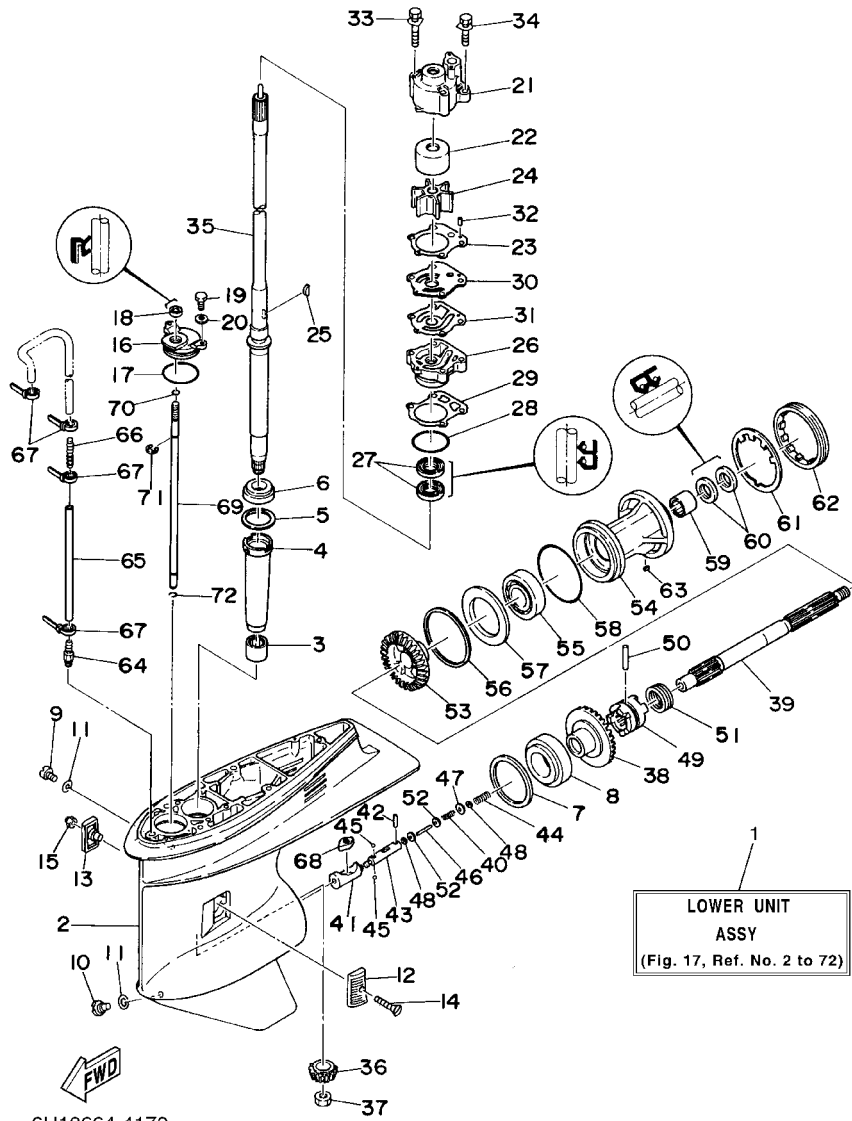
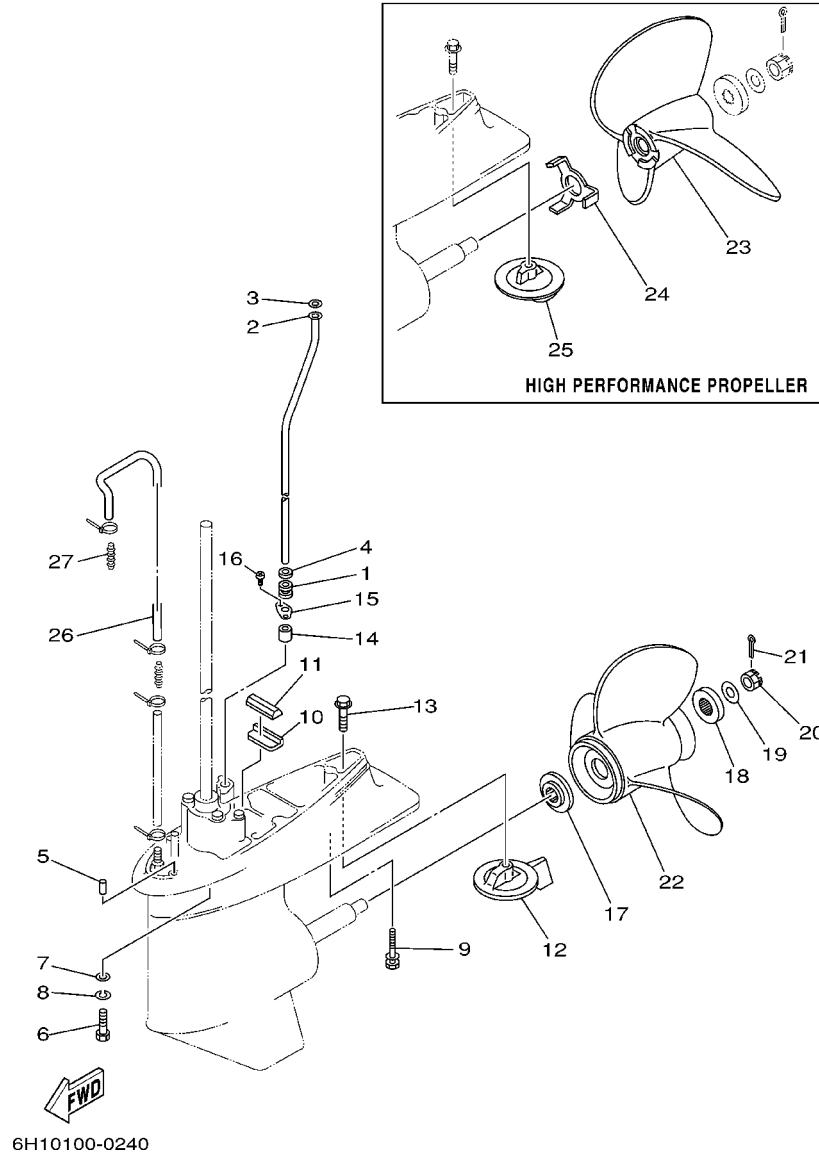


FIG. 18 LOWER CASING. DRIVE 2

BOITIER D'HELICE, TRANSMISSION 2

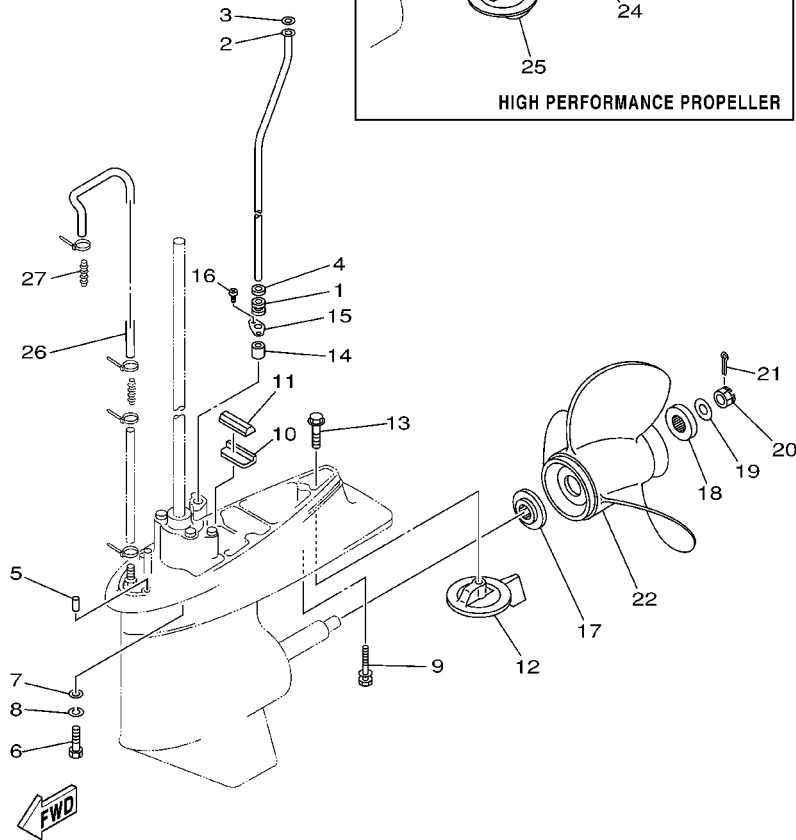
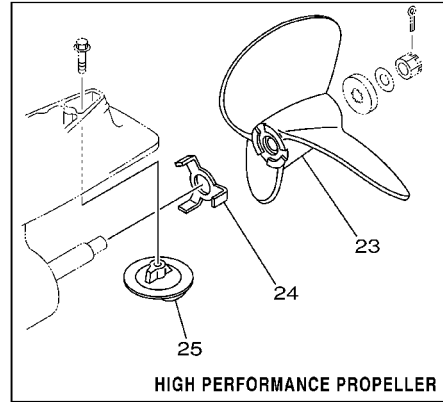


REF. NO.	PART NO. NO. PIECES	DESCRIPTION DESCRIPTION	75C	90A	REMARKS REMARQUES
1	663-44367-00	DAMPER, WATER SEAL JOINT TUBE D'EAU	1	1	
2	688-44361-10	TUBE, WATER TUBE D'EAU	1	1	L
3	90202-12060	WASHER, PLATE RONDELLE, PLATE	1	1	
4	90430-12072	GASKET JOINT	1	1	
5	93606-12019	PIN, DOWEL GOUILLE	2	2	
6	97075-10040	BOLT BOULON	4	4	
7	92990-10600	WASHER, PLATE RONDELLE, PLATE	4	4	
8	92990-10100	WASHER, SPRING RONDELLE, GROWER	4	4	
9	90119-08M84	BOLT, WITH WASHER BOULON, AVEC RONDELLE	1	1	
10	663-45376-00-94	GUIDE, SEAL DAMPER BUTEE, JOINT CAOUTCHOUC	1	1	
11	688-45375-00	DAMPER, SEAL BOURRELET, CAOUTCHOUC	1	1	
12	688-45371-02	TAB-TRIM ANODE DERIVE	1	1	
13	90105-10M67	BOLT, FLANGE BOULON	1	1	
14	663-44366-00	DAMPER, WATER SEAL JOINT, TUBE D'EAU	1	1	
15	90480-19M06	GROMMET PASSE-FIL	1	1	
16	97780-40512	SCREW, TAPPING VIS, TETE BOMBEE	2	2	
17	688-45987-01	SPACER ENTRETOISE	1	1	
18	688-45997-01	SPACER ENTRETOISE	1	1	
19	90201-17M00	WASHER, PLATE RONDELLE, PLATE	1	1	
20	90171-16011	NUT, CASTLE ECROU, CRENELE	1	1	
21	91490-40025	PIN, COTTER GOUILLE	1	1	
22	6E5-45941-00-EL	PROPELLER (3X13"X19"-K) HELICE (3X13"X19"-K)	1	1	UR
	6E5-45943-00-EL	PROPELLER (3X12-5/8"X21"-K) HELICE (3X12-5/8"X21"-K)	1	1	UR
	6E5-45945-01-EL	PROPELLER (3X13-1/4"X17"-K) HELICE (3X13-1/4"X17"-K)	1	1	UR
	6E5-45947-00-EL	PROPELLER (3X13-1/2"X15"-K) HELICE (3X13-1/2"X15"-K)	1	1	UR
	6E5-45949-00-EL	PROPELLER (3X13-5/8"X13"-K) HELICE (3X13-5/8"X13"-K)	1	1	UR
	6E5-45952-00-EL	PROPELLER (3X13"X23"-K) HELICE (3X13"X23"-K)	1	1	UR

FIG. 18 LOWER CASING. DRIVE 2

BOITIER D'HELICE, TRANSMISSION 2

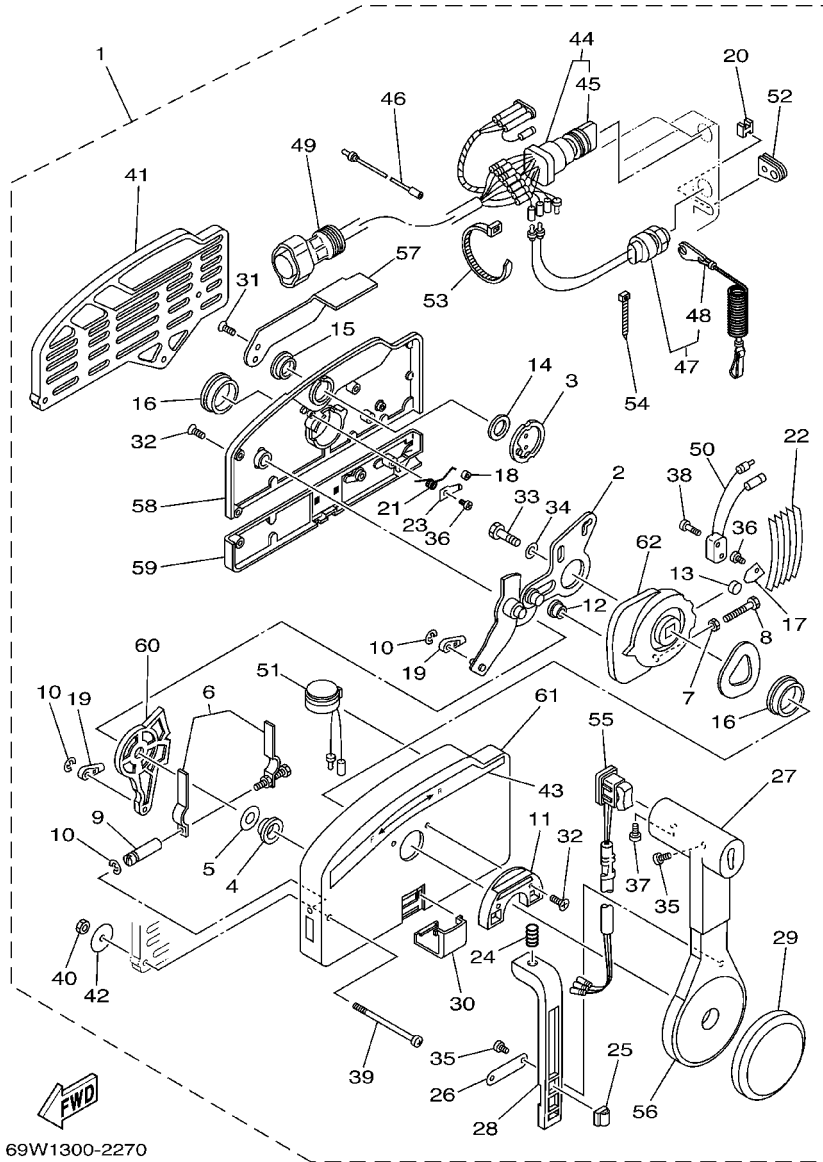
REF. NO.	PART NO. NO. PIECES	DESCRIPTION DESCRIPTION	75C	90A	REMARKS REMARQUES
22	6E5-45954-00-EL	PROPELLER (3X14"X11"-K) HELICE (3X14"X11"-K)	1	1	UR
	6E5-45956-00-EL	PROPELLER (3X13"X25"-K) HELICE (3X13"X25"-K)	1	1	UR
		STAINLESS STEEL PROPELLER ACIER INOXYDABLE HELICE			
	688-45930-02-98	PROPELLER (3X13"X17"-K) HELICE (3X13"X17"-K)	1	1	UR
	688-45970-03-98	PROPELLER (3X13"X19"-K) HELICE (3X13"X19"-K)	1	1	UR
	688-45972-02-98	PROPELLER (3X13"X21"-K) HELICE (3X13"X21"-K)	1	1	UR
	688-45974-02-98	PROPELLER (3X13"X23"-K) HELICE (3X13"X23"-K)	1	1	UR
	688-45976-01-98	PROPELLER (3X13"X25"-K) HELICE (3X13"X25"-K)	1	1	UR
	688-45932-60-98	PROPELLER (3X13-1/2"X14"-K) HELICE (3X13-1/2"X14"-K)	1	1	UR
	688-45978-60-98	PROPELLER (3X13-1/2"X16"-K) HELICE (3X13-1/2"X16"-K)	1	1	UR
		HIGH PERFORMANCE PROPELLER HELICE RENDEMENT DE HAUTEUR			
23	6E5-45970-10	PROPELLER (3X14"X20"-P) HELICE (3X14"X20"-P)	1	1	UR
	6E5-45972-10	PROPELLER (3X14"X24"-P) HELICE (3X14"X24"-P)	1	1	UR
	6E5-45974-10	PROPELLER (3X14"X28"-P) HELICE (3X14"X28"-P)	1	1	UR
	6E5-45976-10	PROPELLER (3X14"X22"-P) HELICE (3X14"X22"-P)	1	1	UR
	6E5-45978-10	PROPELLER (3X14"X26"-P) HELICE (3X14"X26"-P)	1	1	UR
24	6E5-45994-10	PLATE, TOOTH PLAQUETTE	1	1	
25	6E5-45371-10	TAB-TRIM ANODE DERIVE	1	1	
26	90445-07MF1	HOSE (L570) DURITE (L570)	1	1	
27	6E5-83558-00	END, NIPPLE RACCORD DE NIPPLE	1	1	



6H10100-0240

FIG. 22 REMOTE CONTROL ASSY

BOITIER DE COMMANDE A DISTANCE

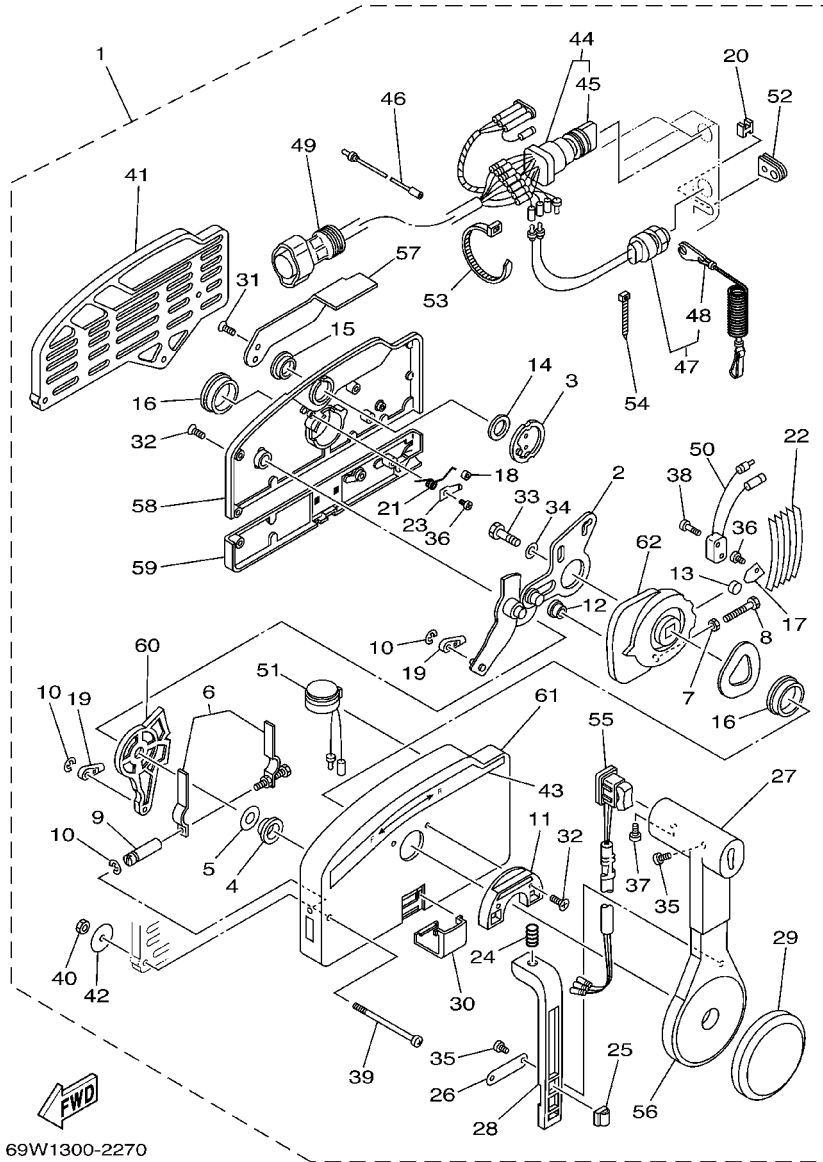


69W1300-2270

REF. NO.	PART NO. NO. PIECES	DESCRIPTION DESCRIPTION	75C	90A	REMARKS REMARQUES
1	703-48207-17	REMOTE CONTROL ASSY BOITIER DE COMMANDE A DISTANCE	1	1	AP WITH PT/T SW.
2	703-48261-01	.ARM, THROTTLE .BRAS, ACCELERATION	1	1	
3	703-48153-00	.SHAFT, FREE ACCEL. .AXE	1	1	
4	703-48235-00	.BUSHING .COUSSINET	1	1	
5	703-48268-00	.SPACER .ENTRETOISE	1	1	
6	703-48264-00	.THROTTLE, FRICTION .ACCELERATION	1	1	
7	95380-05600	.NUT .ECROU	1	1	
8	97380-05025	.BOLT .BOULON, HEXAGONAL	1	1	
9	703-48265-00	.SHAFT, FRICTION .AXE, COPILOTE	1	1	
10	93430-06024	.CIRCLIP	3	3	
11	703-48245-00	.CLIPS .PLATE, LOCK .PLAQUE, VERROU	1	1	
12	703-48252-00	.ROLLER, CAM .POULIE	1	1	
13	701-48248-00	.ROLLER, FREE ACCEL. .POULIE	1	1	
14	703-48198-00	.WASHER, WAVE .RONDELLE, ELASTIQUE ONDULEE	1	1	
15	703-48243-00	.BUSHING .COUSSINET	1	1	
16	703-48236-00	.BUSHING 1 .POULIE	2	2	
17	703-48189-00	.RETAINER .FLASQUE	1	1	
18	703-48234-00	.ROLLER, DETENT .POULIE	1	1	
19	703-48345-01	.CABLE END, REMOTE CONTROL 2 .CHAPE CABLE	2	2	
20	703-48358-00	.ANCHOR, CABLE .COLLIER	1	1	
21	703-48244-00	.SPRING, FREE ACCEL. .RESSORT	1	1	
22	703-48238-00	.SPRING, DETENT .RESSORT	5	5	
23	703-48246-00	.SPACER .ENTRETOISE	1	1	
24	703-48227-00	.SPRING, NEUTRAL LOCK .RESSORT	1	1	
25	703-82594-00	.CLAMP .BRIDE	1	1	WITH PT/T SW.
26	703-48226-00	.PLATE, STOPPER .PLAQUETTE	1	1	
27	703-48222-00	.GRIP, CONTROL LEVER .POIGNEE, COMMANDE LEVIER	1	1	SINGLE

FIG. 22 REMOTE CONTROL ASSY

BOITIER DE COMMANDE A DISTANCE

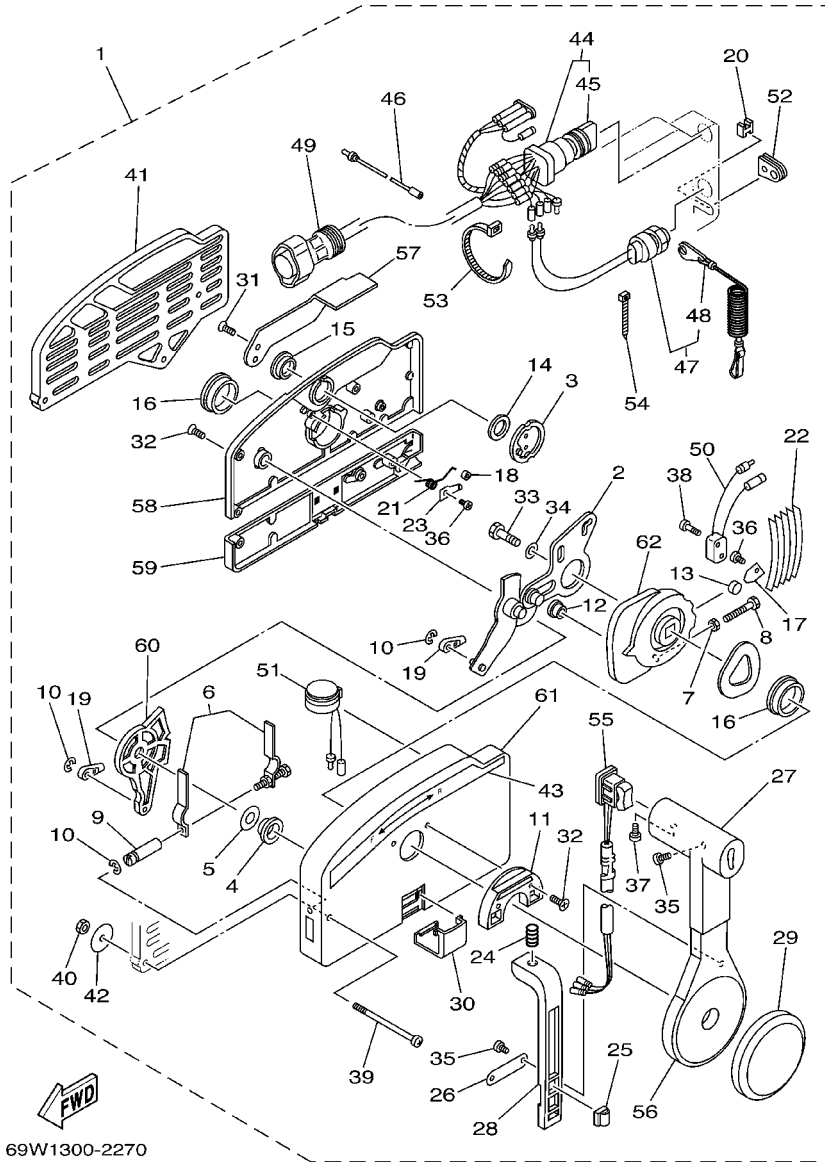


69W1300-2270

REF. NO.	PART NO. NO. PIECES	DESCRIPTION DESCRIPTION	75C	90A	REMARKS REMARQUES
28	703-48223-00	.LOCK, NEUTRAL .VERROU, NEUTRAL	1	1	
29	703-48225-00	.COVER .COUVERCLE	1	1	
30	703-48219-00	.COVER, LEAD .COUVERCLE	1	1	
31	703-48281-00	.SCREW .VIS	2	2	
32	703-48282-00	.SCREW .VIS	7	7	
33	97380-08030	.BOLT .BOULON, HEXAGONAL	1	1	
34	92990-08600	.WASHER, PLATE .RONDELLE, PLATE	1	1	
35	98580-04010	.SCREW, PAN HEAD .VIS	3	3	
36	98580-04006	.SCREW, PAN HEAD .VIS	2	2	
37	98580-05010	.SCREW, PAN HEAD .VIS	1	1	
38	98580-03015	.SCREW, PAN HEAD .VIS	2	2	
39	703-48291-10	.SCREW (M6) .VIS (M6)	3	3	
40	95380-06600	.NUT, HEXAGON .ECROU	3	3	
41	703-48293-10	.SPACER, REMOTE CONTROL .ENTRETOISE	1	1	SINGLE
42	701-48287-00	.WASHER .RONDELLE	3	3	
43	703-48215-00	.GRAPHIC .ADHESIF	1	1	
44	703-82510-43	.MAIN SWITCH ASSY .CONTACTEUR A CLEF COMPLET	1	1	
45	703-82577-00	.CAP, KEY .CABOCHON	1	1	
46	703-82531-00	.WIRE, LEAD .FIL	1	1	
47	688-82575-01	.ENGINE STOP SWITCH ASSY .COUPE CIRCUIT CPLT	1	1	
48	682-82556-00	.STOPPER .PLAQUETTE	1	1	
49	688-8258A-20	.EXTENSION, WIRE HARNESS .EXTENSION, FAISCEAU DE FILS	1	1	L:5M (10P)
50	703-82540-00	.NEUTRAL SWITCH ASSY .CONTACTEUR DE POINT-MORT	1	1	
51	703-83383-A0	.BUZZER .RONFLEUR	1	1	
52	703-48284-10	.GROMMET .PASSE-FIL	1	1	
53	703-82591-00	.BAND .COLLIER	3	3	
54	703-82592-00	.BAND .COLLIER	1	1	

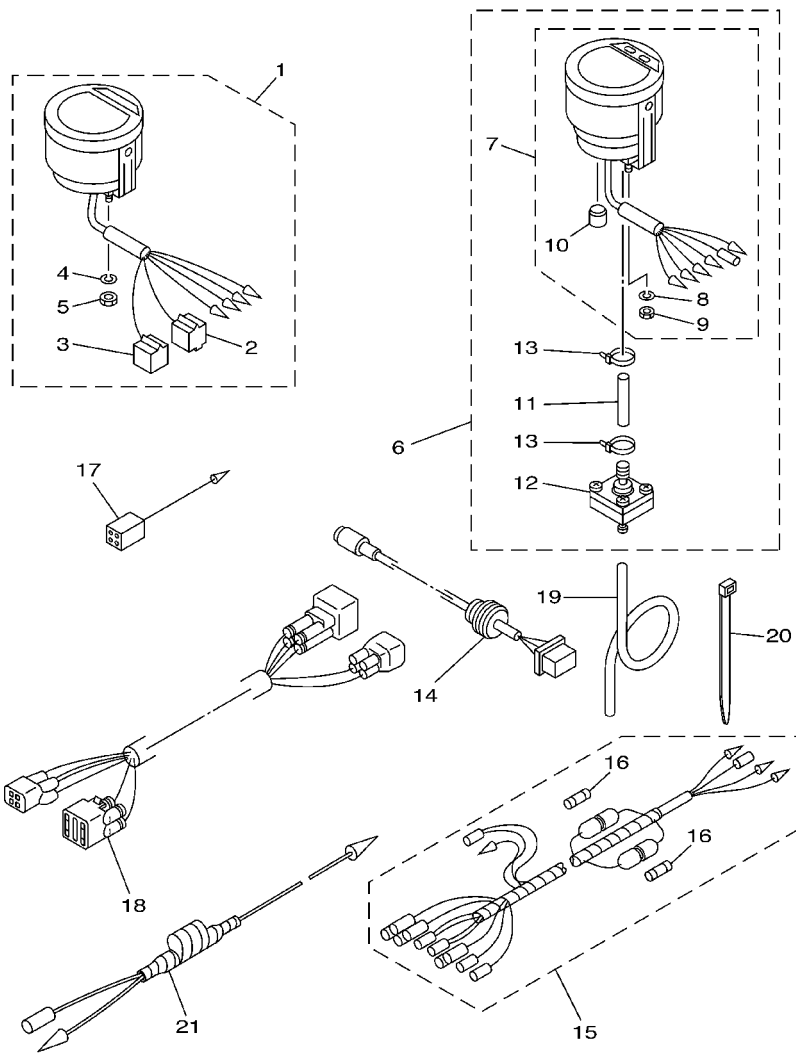
FIG. 22 REMOTE CONTROL ASSY

BOITIER DE COMMANDE A DISTANCE



69W1300-2270

REF. NO.	PART NO. NO. PIECES	DESCRIPTION DESCRIPTION	75C	90A				REMARKS REMARQUES
55	703-82563-12	.TRIM & TILT SWITCH ASSY .INCLINER ET PARER COMMUTATEUR	1	1				
56	703-48221-00	.LEVER, CONTROL .LEVIER, COMMANDE	1	1				
57	703-48152-00	.KNOB, FREE ACCEL. .BOUTON	1	1				
58	703-48212-00	.BACK PLATE 1 .PLAQUETTE 1	1	1				
59	703-48213-00	.BACK PLATE 2 .PLAQUETTE 2	1	1				
60	703-48271-00	.ARM, SHIFT .BRAS	1	1				
61	703-48211-01	.HOUSING,1 .CORPS	1	1				
62	703-48232-00	.GEAR .PIGNON	1	1				



6H12300-2230

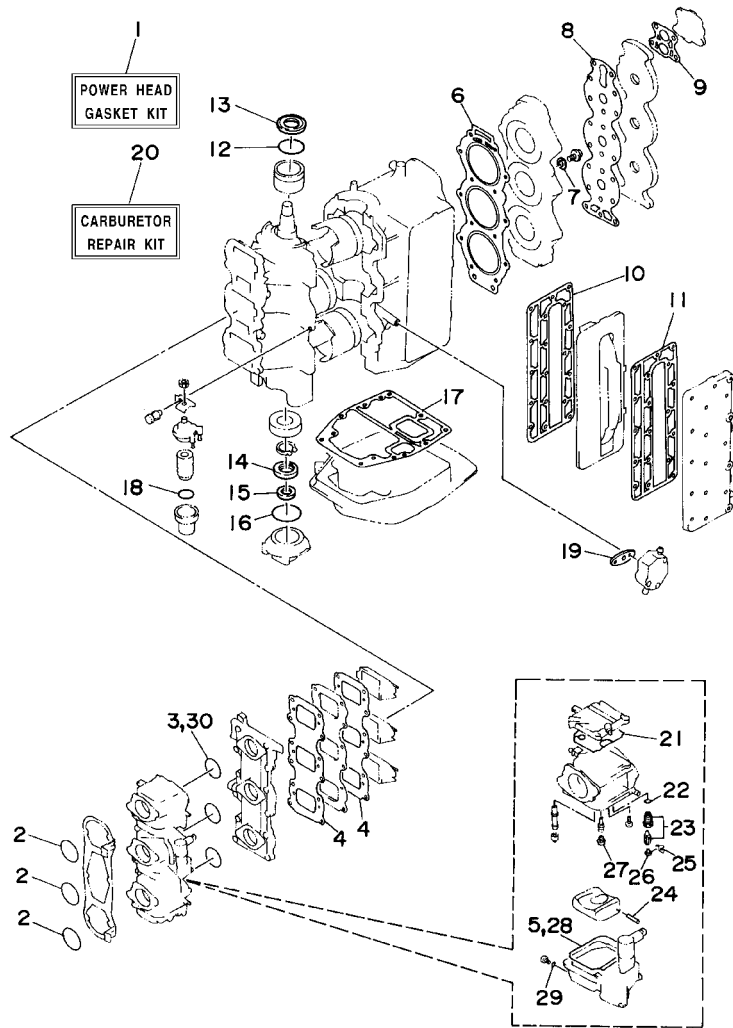
FIG. 23 METER

COMPTEUR

REF. NO.	PART NO. NO. PIECES	DESCRIPTION DESCRIPTION	75C	90A	REMARKS REMARQUES
1	6Y5-8350T-02	TACHOMETER ASSY COMPTE-TOURS CPLT	1	1	AP
2	9E450-04433	.CONNECTOR .CONNECTEUR	1	1	M-4-W
3	9E450-04533	.CONNECTOR .CONNECTEUR	1	1	F-4-W
4	92990-04100	.WASHER, SPRING .RONDELLE, GROWER	2	2	
5	95380-04600	.NUT .ECROU	2	2	
6	6Y5-83500-S5	DIGITAL SPEEDOMETER ASSY TACHYMETRE NUMERIQUE CPLT.	1		AP
7	6Y5-83570-S5	.SPEEDOMETER ASSY .COMPTEUR DE VITESSE CPLT	1		
8	92990-04100	.WASHER, SPRING .RONDELLE, GROWER	2		
9	95380-04600	.NUT .ECROU	2		
10	6Y5-83533-T2	.GROMMET .RONDELLE CAOUTCHOUQ	1		
11	6Y5-83557-31	.TUBE .TUBE	1		
12	6Y5-83728-00	.CONNECTOR ASSY .CONNEXION COMPLET	1		
13	90465-11M10	.CLAMP .BRIDE	2		
14	6Y5-87122-S0	CORD ASSY 1 COPDON COMPLET	1		AP
15	6Y5-83553-M0	WIRE, LEAD FIL	1		AP
	6Y5-83553-00	WIRE, LEAD FIL	1		AP
16	1E6-82151-00	.FUSE (10A) .FUSIBLE (10A)	2		FOR 6Y5-83553-M0
	1E6-82151-00	.FUSE (10A) .FUSIBLE (10A)	1		FOR 6Y5-83553-00
17	6Y5-82117-00	WIRE, LEAD (BLACK) FIL (NOIR)	1		AP
18	68F-82553-80	EXTENSION, WIRE LEAD EXTENSION, FAISCEAU	1		AP
	68F-82553-70	EXTENSION, WIRE LEAD EXTENSION, FAISCEAU	1		AP
19	6Y5-83557-10	TUBE (8M) TUBE (8M)	1		AP
20	90465-11M10	CLAMP BRIDE	2		AP
21	6H4-81315-11	LEAD WIRE ASSY FIL	1	1	AP

FIG. 24 REPAIR KIT 1

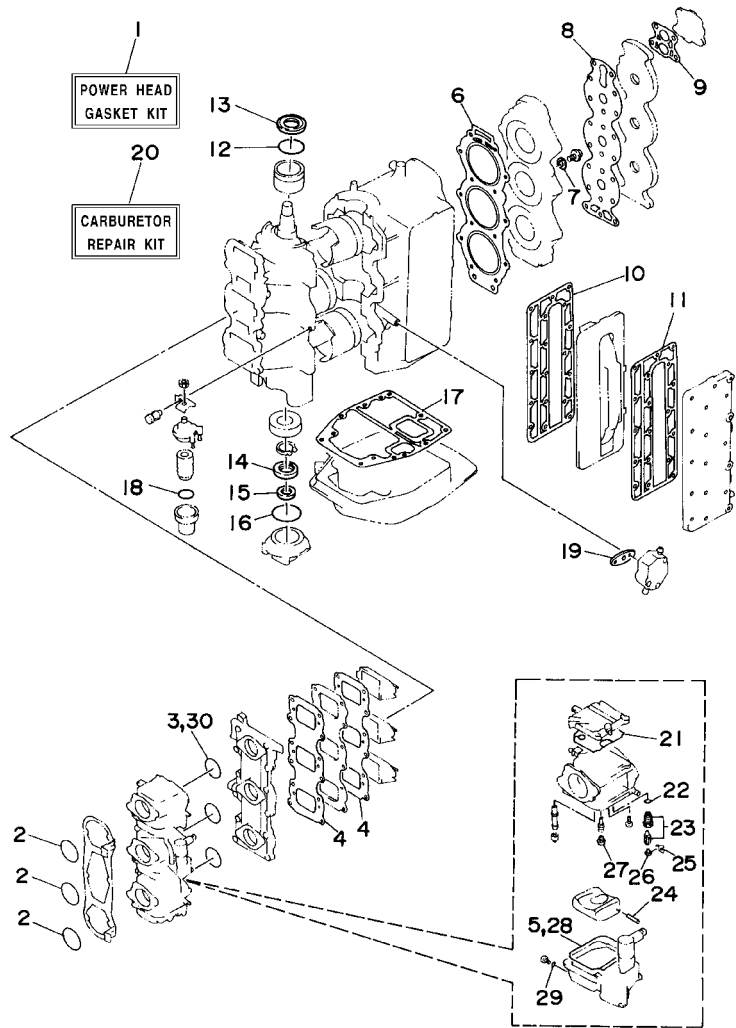
KITS DE REPARATION 1



REF. NO.	PART NO. NO. PIECES	DESCRIPTION DESCRIPTION	75C	90A	REMARKS REMARQUES
1	6H1-W0001-02	POWER HEAD GASKET KIT POCHETTE DE JINTS TETE MOTRICE	1	1	
2	93210-46044	.O-RING .JOINT TORIQUE	3	3	
3	93210-39ME4	.O-RING .JOINT TORIQUE	3	3	
4	688-13621-A1	.GASKET, VALVE SEAT .JOINT, SIEGE DE CLAPET	2	2	
5	6H4-14984-00	.GASKET, FLOAT CHAMBER .JOINT, CUVE DE FLOTTEUR	3	3	
6	688-11181-A1	.GASKET, CYLINDER HEAD 1 .JOINT, DE CULASSE 1	1	1	
7	90430-14115	.GASKET .JOINT	1	1	
8	688-11193-A1	.GASKET, HEAD COVER 1 .JOINT, COUVERCLE DE CULASSE 1	1	1	
9	688-12414-A1	.GASKET, COVER .JOINT, COUVERCLE	1	1	
10	688-41112-A0	.GASKET, EXHAUST INNER COVER .JOINT, PLAQUE D'ECHAPPEMENT	1	1	
11	688-41114-A0	.GASKET, EXHAUST OUTER COVER .JOINT, COUVERCLE D'ECHAPPEMEN	1	1	
12	93210-46M16	.O-RING .JOINT TORIQUE	1	1	
13	93102-36M02	.OIL SEAL .JOINT SPY	1	1	
14	93102-30M05	.OIL SEAL .JOINT SPY	1	1	
15	93104-20M02	.OIL SEAL .JOINT SPY	1	1	
16	93210-62269	.O-RING .JOINT TORIQUE	1	1	
17	688-45113-A0	.GASKET, UPPER CASING .JOINT, TUBE D'ARBRE	1	1	
18	93210-32738	.O-RING .JOINT TORIQUE	1	1	
19	650-24431-A0	.GASKET, FUEL PUMP 1 .JOINT 1 DE POMPE A ESSENCE	1	1	
20	6H1-W0093-10	CARBURETOR REPAIR KIT KIT DE REPARATION CARBURATEUR	1	1	
21	6H4-14147-00	.O-RING .JOINT TORIQUE	1	1	
22	93210-04228	.O-RING .JOINT TORIQUE	1	1	
23	692-14590-01	.NEEDLE VALVE ASSY .POINTEAU	1	1	
24	6H4-14548-00	.PIN, FLOAT ARM .AXE, BRAS DE FLOTTEUR	1	1	
25	663-14159-00	.CLIP .JONC	1	1	
26	676-14186-00	.PIN, FLOAT .AXE, FLOTTEUR	1	1	
27	676-14966-00	.CAP .CAPUCHON	1	1	

FIG. 24 REPAIR KIT 1

KITS DE REPARATION 1

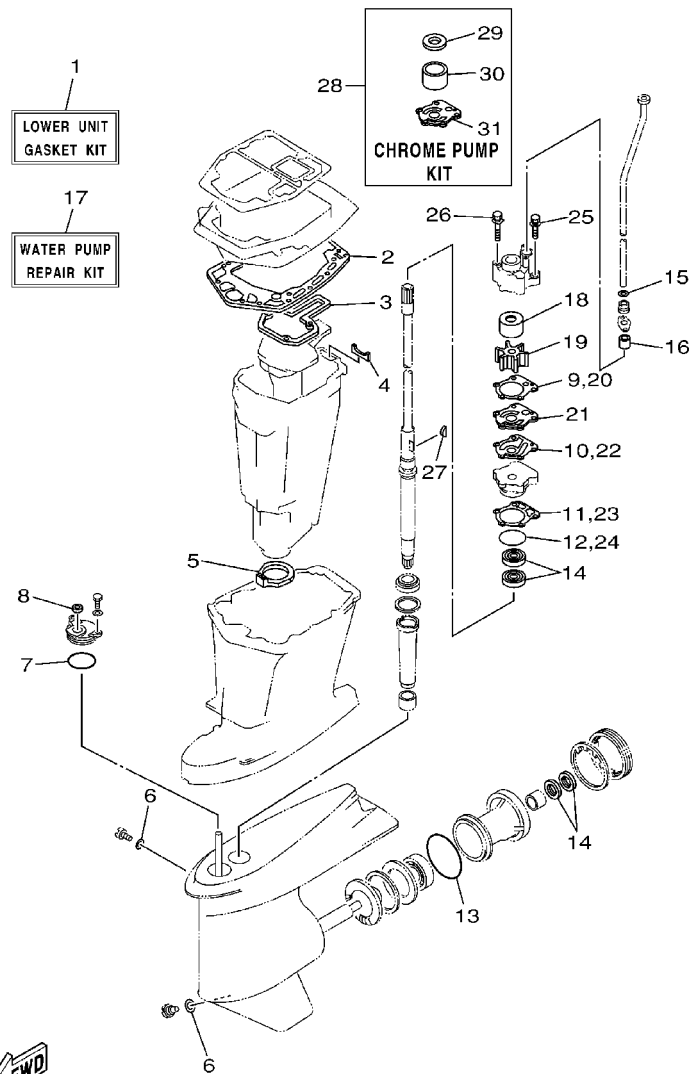


REF. NO.	PART NO. NO. PIECES	DESCRIPTION DESCRIPTION	75C	90A	REMARKS REMARQUES
28	6H4-14984-00	.GASKET, FLOAT CHAMBER .JOINT, CUVE DE FLOTTEUR	1	1	
29	93210-04230	.O-RING .JOINT TORIQUE	1	1	
30	93210-39ME4	.O-RING .JOINT TORIQUE	1	1	

6H10010-4230

FIG. 25 REPAIR KIT 2

KITS DE REPARATION 2

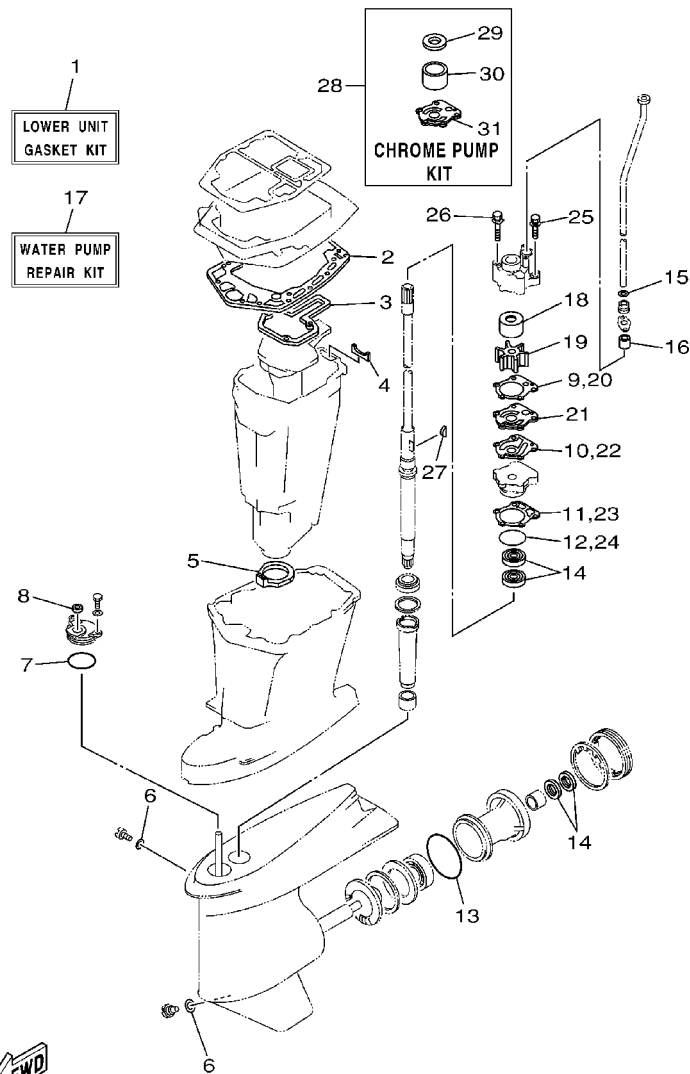


6H10110-0280

REF. NO.	PART NO. NO. PIECES	DESCRIPTION DESCRIPTION	75C	90A	REMARKS REMARQUES
1	688-W0001-21	LOWER UNIT GASKET KIT POCHETTE DE JOINTS EMBASE	1	1	
2	688-45114-A1	.GASKET, UPPER CASING .JOINT, TUBE D'ARBRE	1	1	
3	688-41134-A0	.GASKET, EXHAUST MANIFOLD .JOINT, PIPE D'ECHAPPEMENT	1	1	
4	688-41133-00	.GASKET, EXHAUST MANIFOLD 1 .JOINT, PIPE D'ECHAPPEMENT	1	1	
5	688-45123-00	.GASKET, MUFFLER .JOINT, POT DE DETENTE	1	1	
6	90430-08020	.GASKET .JOINT	2	2	
7	93210-49046	.O-RING .JOINT TORIQUE	1	1	
8	93106-09014	.OIL SEAL .JOINT SPY	1	1	
9	688-44315-A0	.GASKET, WATER PUMP .JOINT, POMPE A EAU	1	1	
10	688-44324-A0	.GASKET, CARTRIDGE .JOINT	1	1	
11	688-44316-A0	.GASKET, WATER PUMP .JOINT, POMPE A EAU	1	1	
12	93210-46044	.O-RING .JOINT TORIQUE	1	1	
13	93210-85M97	.O-RING .JOINT TORIQUE	1	1	
14	93101-25M03	.OIL SEAL .JOINT SPY	4	4	
15	90430-12072	.GASKET .JOINT	1	1	
16	663-44366-00	.DAMPER, WATER SEAL .JOINT, TUBE D'EAU	1	1	
17	692-W0078-02	WATER PUMP REPAIR KIT KIT DE REPARATION DE LA POMPE	1	1	
18	688-44322-00	.INSERT, CARTRIDGE .CUVETTE	1	1	
19	688-44352-03	.IMPELLER .TURBINE	1	1	
20	688-44315-A0	.GASKET, WATER PUMP .JOINT, POMPE A EAU	1	1	
21	688-44323-00	.OUTER PLATE, CARTRIDGE .PLAQUE EXTERIEURE	1	1	
22	688-44324-A0	.GASKET, CARTRIDGE .JOINT	1	1	
23	688-44316-A0	.GASKET, WATER PUMP .JOINT, POMPE A EAU	1	1	
24	93210-46044	.O-RING .JOINT TORIQUE	1	1	
25	90119-08M13	.BOLT, WITH WASHER .BOULON, AVEC RONDELLE	2	2	
26	90119-08M16	.BOLT, WITH WASHER .BOULON, AVEC RONDELLE	2	2	
27	90280-04M04	.KEY, WOODRUFF .CLAVETTE, DEMI-LUNE	1	1	

FIG. 25 REPAIR KIT 2

KITS DE REPARATION 2



REF. NO.	PART NO. NO. PIECES	DESCRIPTION DESCRIPTION	75C	90A	REMARKS REMARQUES
28	688-W0078-1A	CHROME PUMP KIT KIT DE POMPE A EAU CHROMEE	1	1	
29	688-44321-41	.INNER PLATE, CARTRIDGE .CUVETTE	1	1	
30	688-44322-41	.INSERT, CARTRIDGE .CUVETTE	1	1	
31	688-44323-40	.OUTER PLATE, CARTRIDGE .PLAQUE EXTERIEURE	1	1	

6H10110-0280

NUMERICAL INDEX
INDEX NUMERIQUE

PART NO. NO. PIECES	REF. NO.	PART NO. NO. PIECES	REF. NO.	PART NO. NO. PIECES	REF. NO.	PART NO. NO. PIECES	REF. NO.	PART NO. NO. PIECES	REF. NO.	PART NO. NO. PIECES	REF. NO.
6H1-W0001-02	24 - 1	6J8-13414-00	6 - 41	6H1-14947-75	5 - 20	6A0-24413-00	7 - 13	688-41632-01-94	12 - 7	6H1-43181-01	13 - 26
688-W0001-21	25 - 1	6H1-13435-00	6 - 45	6H1-14948-18	5 - 23	6H4-24413-00	5 - 38	6H1-41636-00	12 - 24	6H1-43185-01	13 - 27
688-W0004-00	4 - 13	6H1-13436-00	1 - 18	676-14966-00	5 - 22	6A0-24421-01	7 - 21	688-42510-02-4D	14 - 3	6H1-43311-01-4D	13 - 16
6H1-W0070-30	1 - 17	6H1-13436-41	1 - 18		24 - 27	6L5-24421-00	5 - 37	624-42542-00	6 - 49	6H1-43376-00	14 - 39
688-W0078-1A	25 - 28	6H1-13437-21	8 - 20	6H3-14980-10	5 - 28	650-24431-A0	7 - 24	6H0-42610-B0-4D	1 - 1	6H1-4380F-10	15 - 7
692-W0078-02	25 - 17	6R3-13471-00	6 - 2	6H4-14980-00	5 - 27		24 - 19	6H1-42610-60-4D	1 - 1	6H1-4380G-10	15 - 15
6H1-W0090-44-1S	2 - 1	6L2-13475-00	6 - 3	6H4-14984-00	5 - 24	6H3-24434-10	5 - 41	6H1-42613-01-4D	1 - 11	6H1-4380H-10	15 - 13
6H1-W0093-10	24 - 20	688-13610-00	4 - 12		24 - 5	648-24434-01	7 - 15	688-42615-00	1 - 14	6H1-4380J-10	15 - 8
656-W2810-02	7 - 35	688-13621-A1	4 - 10		24 - 28	648-24435-02	7 - 18	6H1-42617-10	1 - 19	6H1-43800-17-4D	15 - 1
6H1-11111-01-1S	2 - 30		24 - 4	6H4-14985-01	5 - 19	6H3-24452-10	5 - 29	6H1-42619-00	1 - 20	67F-43802-00	15 - 39
688-11119-01	2 - 28	688-13624-00	4 - 11	6H3-14992-00	5 - 25	6H4-24486-00	5 - 39	6H1-42627-00	1 - 21	6H1-43804-10	15 - 4
688-11181-A1	2 - 31	6H1-13641-02-94	4 - 6	6H1-15100-02-1S	2 - 2	61N-24521-00	7 - 8	6H1-42637-00	1 - 22	6H1-43805-10	15 - 3
	24 - 6	6H3-14137-00	5 - 31	6H1-15359-01-94	3 - 1	61N-24560-00	7 - 6	6H1-42647-00-94	1 - 3	6H1-43810-11	15 - 20
688-11191-00-1S	2 - 35	6H3-14146-10	5 - 9	688-15379-00	3 - 6	61N-24563-00	7 - 7	6H1-42649-00-94	1 - 4	6H1-43812-00	15 - 24
688-11193-A1	2 - 36	6H4-14146-00	5 - 8	6H1-15771-00	10 - 19	6H1-24566-01	7 - 10	688-42652-10	1 - 6	6H1-43813-10	15 - 27
	24 - 8	6H4-14147-00	5 - 10	6H1-15772-00	2 - 52	6YK-24610-00	19 - 3	663-42662-00	1 - 5	6H1-43814-11	15 - 19
688-11325-00	2 - 26		24 - 21	6H1-15773-01	2 - 54	6H1-24633-00	6 - 40	6H0-42677-A0	1 - 15	6H1-43816-00	15 - 68
650-11370-01	2 - 4	663-14159-00	5 - 17	6H1-21707-07	6 - 26	6YL-24641-00	19 - 4	6H1-42677-60	1 - 15	6H1-43817-01	15 - 47
688-11370-01	2 - 3		24 - 25	6H3-21732-00	1 - 24	6A1-28176-00	11 - 45	6H0-42678-90	1 - 16	6E5-43818-00	15 - 32
	3 - 2	676-14186-00	5 - 18	6H3-21735-00	1 - 25	6E0-28193-00-94	7 - 36	6H1-42678-30	1 - 16	6H1-4382A-10	15 - 52
688-11411-01	3 - 11		24 - 26	63D-2175R-00	6 - 36	6H2-28199-7P-A0	7 - 37	6H1-42681-30	1 - 28	6H1-43820-11	15 - 64
663-11518-01	2 - 6	6H0-14301-07	5 - 1	6H1-21752-00	6 - 33	6H2-28199-7P-B0	7 - 37	6H1-42682-30	1 - 29	6H1-43821-11	15 - 59
6H1-11536-00	3 - 27	6H1-14301-07	5 - 1	6H1-21757-00	6 - 39	6H2-28199-8P-A0	7 - 38	6H1-42694-00	1 - 23	6H1-43822-10	15 - 58
6H1-11537-01	6 - 16	6H0-14302-07	5 - 2	6J8-21758-00	6 - 38	6H2-28199-8P-B0	7 - 38	6H1-42711-10-4D	11 - 1	6H1-43828-10	15 - 30
688-11603-A0	3 - 19	6H1-14302-07	5 - 2	63D-2176M-00	6 - 35	688-41111-00-1S	2 - 45	648-42715-00	12 - 48	6H1-43829-00	15 - 36
688-11604-A0	3 - 19	6H0-14303-07	5 - 3	6H1-21766-01	6 - 43	688-41112-A0	2 - 46	688-42716-02	11 - 9	6H1-43830-11	15 - 49
688-11605-A0	3 - 19	6H1-14303-07	5 - 3	63D-2177H-00	1 - 2		24 - 10	663-42724-00	11 - 10	6H1-43831-10	15 - 48
6H1-11631-03-95	3 - 18	6A0-14325-00	7 - 22	6H4-21770-00	6 - 37	6H1-41113-00-1S	2 - 48	688-42725-20	11 - 11	6H1-43833-10	15 - 33
663-11633-00	3 - 20	6H3-14349-00	4 - 4	6H1-21796-00	2 - 55	688-41114-A0	2 - 47	6H1-42726-20	11 - 22	6H1-43834-00	15 - 34
688-11634-10	3 - 21		5 - 32	6YK-24201-01	19 - 1		24 - 11	688-42726-10	11 - 22	6H1-43835-10	15 - 29
6H1-11635-03	3 - 18	6H3-14380-00	5 - 33	6YK-24260-01	19 - 5	688-41131-00-5B	16 - 8	688-42738-01-94	11 - 12	6H1-4384E-20	15 - 61
6H1-11636-03	3 - 18	6H1-14413-02	4 - 22	6YL-24268-01	19 - 2	692-41131-00-5B	16 - 8	688-42741-01-4D	11 - 24	6H1-4384F-10	15 - 46
688-11650-03	3 - 22	6H1-14440-02	4 - 18	6G1-24304-02	7 - 1	688-41133-00	16 - 9	6G1-42748-00	11 - 23	6H1-4384G-11	15 - 45
688-12411-10	2 - 41	6H1-14485-00	4 - 7	6YL-24306-52	19 - 8		25 - 4	688-42771-01-4D	11 - 25	6H1-43840-11	15 - 17
688-12413-00-1S	2 - 42	624-14485-00	2 - 5	6H1-24312-01	11 - 41	688-41134-A0	16 - 7	6G5-42791-10	11 - 44	6H1-43841-11	15 - 42
688-12414-A1	2 - 43	6H1-14488-00	8 - 19	663-24312-01	2 - 49		25 - 3	688-42815-01-4D	11 - 3	6H1-43843-11	15 - 72
	24 - 9	63V-14523-00	5 - 5	688-24313-00	7 - 30	688-41137-03-94	16 - 5	688-42816-00	11 - 7	6H1-43844-10	15 - 44
688-12416-00	2 - 39	6H4-14548-00	5 - 15	6H1-24314-00	7 - 27	688-41211-01	12 - 27	688-42817-01-4D	11 - 4	6H1-43845-00	15 - 55
6H1-12535-00	11 - 34		24 - 24	688-24314-00	7 - 31	6H1-41213-00	12 - 30	6H1-43111-01-4D	13 - 1	6H1-43847-00	15 - 50
68T-12572-00	11 - 32	697-14555-00	5 - 12	6YL-24329-00	19 - 7	662-41214-01	12 - 8	6H1-43112-00-4D	13 - 11	6H1-4385H-00	15 - 78
6R3-12580-00	11 - 37	6H4-14567-00	5 - 30	6E5-24367-01	11 - 30	688-41217-01	4 - 3	6E5-43126-02	13 - 40	6H1-43854-00	15 - 53
6R3-12581-00	11 - 38	6H2-14578-00	5 - 7	650-24378-00	2 - 7	6E9-41237-00	6 - 25	688-43131-03	13 - 21	6H1-43855-11	15 - 71
6R3-12582-00	11 - 39	692-14590-01	5 - 14	688-24378-00	7 - 34	6F5-41237-00	12 - 19	6G5-43144-00	13 - 34	6H1-43856-10	15 - 43
6R3-12583-00	11 - 40		24 - 23	692-24410-00	7 - 12	6H1-41237-00	6 - 21	6E5-43145-01	20 - 9	6H1-4386K-10	15 - 9
6H1-13117-01	6 - 18	688-14711-01-5B	16 - 10	6H3-24411-10	5 - 40	662-41237-01	12 - 26	6G5-43145-01	13 - 25	6H1-43861-00	15 - 21
6E9-13183-70	6 - 13	663-14737-10	16 - 12	663-24411-00	7 - 17	682-41237-00	12 - 29	6G5-43148-00	13 - 29	6H1-43861-10	15 - 18
6H1-13200-02	6 - 1	692-14923-00	5 - 11	692-24411-00	7 - 14	6H1-41241-02	6 - 20	688-43160-01	13 - 36		15 - 22
6H1-13411-00	6 - 42	6H1-14943-39	5 - 21	6A0-24412-02	7 - 23	688-41631-01-94	12 - 18	688-43165-00	13 - 37		15 - 60

NUMERICAL INDEX
INDEX NUMERIQUE

PART NO. NO. PIECES	REF. NO.	PART NO. NO. PIECES	REF. NO.	PART NO. NO. PIECES	REF. NO.	PART NO. NO. PIECES	REF. NO.	PART NO. NO. PIECES	REF. NO.	PART NO. NO. PIECES	REF. NO.
6H1-43864-00	15-65	688-44361-10	18-2	688-45567-01-50	17-7	703-48153-00	22-3	663-48531-00	12-1	703-82531-00	22-46
6H1-43865-10	15-16	663-44366-00	18-14	6H1-45571-00	17-53	703-48189-00	22-17	663-48538-00	12-2	703-82540-00	22-50
6H1-43866-00	15-40		25-16	688-45576-00	17-57	703-48198-00	22-14	688-61350-10	20-1	68F-82553-70	23-18
6H1-43867-00	15-41	663-44367-00	18-1	688-45577-01-10	17-56	703-48207-17	21-1	688-61351-10	20-2	68F-82553-80	23-18
6H1-43868-00	15-74	6H3-44391-01	11-2	688-45577-01-12	17-56		22-1	6E5-61355-00	20-8	682-82566-00	22-48
6H1-4387J-00	15-77	688-44511-00-94	14-33	688-45577-01-15	17-56	703-48211-01	22-61	6H4-81315-11	23-21	688-82560-10	9-31
6H1-43871-10	15-23	688-44514-00-94	14-26	688-45577-01-18	17-56	703-48212-00	22-58	688-81332-01	8-11	6H1-82563-10	9-47
6H1-43872-10	15-25	6H1-44526-00	13-3	688-45577-01-30	17-56	703-48213-00	22-59	6H1-81337-01	8-14	703-82563-12	22-55
6H1-43874-00	15-67	663-44551-02-4D	14-9	688-45577-01-40	17-56	703-48215-00	22-43	688-81800-12	10-1	6E3-8257H-00	11-46
6H1-43875-00	15-57	687-44552-02-94	14-18	688-45577-01-50	17-56	703-48219-00	22-30	676-81809-10	10-3	688-82575-01	22-47
6H1-4388E-11	15-73	663-44553-01-4D	14-23	688-45587-01-10	17-5	703-48221-00	22-56	688-81810-11	10-5	703-82577-00	22-45
6H1-43880-02	15-2	687-44555-00-94	14-11	688-45587-01-12	17-5	703-48222-00	22-27	663-81811-11	10-7	688-8258A-20	22-49
6H1-43881-10	15-12	663-44575-00	14-16	688-45587-01-15	17-5	703-48223-00	22-28	663-81812-11	10-8	6R5-82582-B0	6-52
6H1-43891-10	15-5		14-32	688-45587-01-18	17-5	703-48225-00	22-29	663-81813-10	10-9	6E5-82587-00	9-48
6H1-43892-10	15-6	688-45111-04-4D	16-1	688-45587-01-30	17-5	703-48226-00	22-26	663-81820-12	10-10	688-82588-01	9-32
6H1-43895-12	15-70	688-45113-A0	16-20	688-45587-01-40	17-5	703-48227-00	22-24	688-81824-00	10-15	6H0-82590-12	9-33
6H1-43896-00	15-69		24-17	688-45587-01-50	17-5	703-48232-00	22-62	663-81826-10	10-14	703-82591-00	22-53
6H1-43899-00	15-51	688-45114-A1	16-6	6H1-45611-01	17-39	703-48234-00	22-18	688-81830-11	10-12	703-82592-00	22-54
688-44117-00-94	12-34		25-2	6H1-45631-01	17-49	703-48235-00	22-4	688-81831-00	10-13	688-82594-00	9-39
688-44118-00-94	12-42	663-45119-00	13-18	688-45633-00	17-51	703-48236-00	22-16	663-81832-11	10-11	703-82594-00	22-25
6H1-44120-12	12-49	688-45123-00	16-11	6H1-45634-02	17-43	703-48238-00	22-22	663-81840-11	10-6	703-83383-A0	22-51
6H1-44121-00	12-41		25-5	6H1-45635-00	17-52	703-48243-00	22-15	676-81850-11	10-2	6Y5-8350T-02	23-1
688-44122-00	12-38	663-45155-10	16-2	6H1-45641-01	17-41	703-48244-00	22-21	676-81857-10	10-4	6Y5-83500-S5	23-6
688-44124-00	12-37	6H1-45214-00	17-12	6H1-45668-00	17-46	703-48245-00	22-11	6H1-81916-00	9-28	6Y5-83533-T2	23-10
6H1-44144-00	17-69	6H1-45215-00	17-13	688-45930-02-98	18-22	703-48246-00	22-23	6G1-81941-10	9-16	6Y5-83553-M0	23-15
6H1-44151-00	17-68	6H1-45251-03	13-2	688-45932-60-98	18-22	701-48248-00	22-13	6E9-81945-70	9-18	6Y5-83553-00	23-15
688-44194-00	2-14	6H1-45300-15-4D	17-1	6E5-45941-00-EL	18-22	703-48252-00	22-12	6H0-81949-01	9-45	6Y5-83557-10	23-19
	12-21	6H1-45301-03-4D	17-2	6E5-45943-00-EL	18-22	703-48261-01	22-2	6H0-81949-10	9-44	6Y5-83557-31	23-11
688-44311-01	17-21	688-45321-00	17-16	6E5-45945-01-EL	18-22	703-48264-00	22-6	61A-81950-00	9-40	6E5-83558-00	18-27
688-44315-A0	17-23	688-45331-00-94	17-54	6E5-45947-00-EL	18-22	703-48265-00	22-9	6G1-81952-00	9-17	6E5-83558-10	17-66
	25-9	688-45341-10	17-10	6E5-45949-00-EL	18-22	703-48268-00	22-5	6H0-81960-10	9-10	6Y5-83570-S5	23-7
	25-20	6E5-45371-10	18-25	6E5-45952-00-EL	18-22	703-48271-00	22-60	6H0-82105-02	9-35	6H1-83614-00	9-49
688-44316-A0	17-29	688-45371-02	18-12	6E5-45954-00-EL	18-22	703-48281-00	22-31	6H0-82117-00	9-37	6A1-83625-A1	4-24
	25-11	688-45375-00	18-11	6E5-45956-00-EL	18-22	703-48282-00	22-32	6Y5-82117-00	23-17	6A1-83625-51	4-25
	25-23	663-45376-00-94	18-10	6E5-45970-10	18-23	703-48284-10	22-52	682-82119-01	9-43	6H1-83672-12	14-1
688-44321-41	25-29	6E5-45378-00	17-64	688-45970-03-98	18-22	701-48287-00	22-42		9-46	6Y5-83728-00	23-12
688-44322-00	17-22	688-45383-02	17-61	6E5-45972-10	18-23	703-48291-10	22-39	703-82119-00	9-2	6H0-85510-03	8-2
	25-18	688-45384-00	17-62	688-45972-02-98	18-22	703-48293-10	22-41		14-42	6H0-85540-06	9-1
688-44322-41	25-30	6H1-45501-11	17-35	6E5-45974-10	18-23	701-48320-00	21-2	688-82127-02	14-25	6H1-85542-00-94	9-22
688-44323-00	17-30	688-45536-01	17-4	688-45974-10	18-23	701-48320-20	21-2	6E5-82148-00	13-12	6H1-85542-10	9-3
	25-21	688-45551-01	17-36	6E5-45976-10	18-23	701-48320-30	21-2	6H1-82148-00	13-8	6H0-85550-00	8-1
688-44323-40	25-31	688-45560-00	17-38	688-45976-01-98	18-22	701-48320-50	21-2	1E6-82151-00	23-16	697-85570-00	9-7
688-44324-A0	17-31	688-45567-01-10	17-7	6E5-45978-10	18-23	701-48320-60	21-2	663-82151-00	9-34	6H0-85580-01	8-3
	25-10	688-45567-01-12	17-7	688-45978-60-98	18-22	701-48320-80	21-2	6G5-82152-00	9-21	6H1-85711-60	4-23
	25-22	688-45567-01-15	17-7	688-45987-01	18-17	663-48344-00	12-6	6A0-82317-00	6-50	6R5-85711-60	9-52
688-44341-01-94	17-26	688-45567-01-18	17-7	6E5-45994-10	18-24	703-48345-01	22-19	6E3-82370-21	9-30	6H1-85720-15	6-51
688-44352-03	17-24	688-45567-01-30	17-7	688-45997-01	18-18	703-48358-00	22-20	703-82510-43	22-44	6H2-85895-01	8-4
	25-19	688-45567-01-40	17-7	703-48152-00	22-57	688-48511-11-4D	14-36	697-82519-00	9-38	6Y5-87122-S0	23-14

NUMERICAL INDEX
INDEX NUMERIQUE

PART NO. NO. PIECES	REF. NO.	PART NO. NO. PIECES	REF. NO.	PART NO. NO. PIECES	REF. NO.	PART NO. NO. PIECES	REF. NO.	PART NO. NO. PIECES	REF. NO.	PART NO. NO. PIECES	REF. NO.
9E450-04433	23 - 2	90185-05002	17 - 15	90386-13M38	11 - 5	90465-11M10	11 - 42	91690-30020	13 - 30	92995-08100	16 - 16
9E450-04533	23 - 3	90185-08057	14 - 40	90386-18M14	15 - 31		14 - 41	92901-04100	15 - 76		16 - 19
90101-10M49	14 - 27	90185-09M01	20 - 4	90386-18M35	13 - 41		17 - 67	92901-05200	15 - 63	92995-10100	13 - 15
90101-12M65	13 - 44	90185-10051	14 - 31	90386-18M63	13 - 43		23 - 13	92903-06100	4 - 17	92995-12200	13 - 45
90105-10M67	18 - 13		14 - 38	90386-22M13	12 - 14		23 - 20	92903-06600	5 - 44	93101-25M03	17 - 27
90109-06M39	6 - 5	90185-22043	13 - 24	90386-22M15	13 - 22	90465-11M27	6 - 29		9 - 9		17 - 60
	9 - 26	90201-03313	17 - 47	90386-30M60	14 - 8	90465-12M03	2 - 23		9 - 20		25 - 14
90109-06M40	6 - 6	90201-06M31	9 - 27	90386-30M77	14 - 6	90465-13M11	9 - 4		12 - 36	93102-08M43	15 - 14
90109-08022	3 - 23	90201-06416	11 - 17	90386-30M78	14 - 5	90465-13M30	6 - 34	92903-08100	10 - 17	93102-30M05	3 - 3
90109-12261	14 - 15	90201-08M13	12 - 16	90387-06M03	9 - 24	90465-18147	5 - 42		12 - 44		24 - 14
90116-10M06	2 - 22	90201-08M23	12 - 11	90387-06M17	12 - 31	90467-06016	2 - 17	92903-08600	12 - 45	93102-36M02	3 - 13
90116-10M28	14 - 37	90201-08M93	6 - 17	90387-06M31	6 - 32		2 - 21	92990-04100	23 - 4		24 - 13
90116-10175	14 - 37	90201-10M20	20 - 3	90387-06M69	11 - 16		3 - 8		23 - 8	93104-20M02	3 - 4
90119-06MA3	2 - 37	90201-10M63	20 - 7	90387-08M16	12 - 13		4 - 2	92990-05100	4 - 15		24 - 15
90119-06MA5	2 - 44	90201-10008	2 - 11	90387-10M02	13 - 32	90467-08004	2 - 50		7 - 20	93106-09014	17 - 18
90119-06M09	11 - 8	90201-11M22	14 - 30	90387-10M42	20 - 6		4 - 5	92990-06600	11 - 31		25 - 8
90119-06M12	2 - 9	90201-12M16	14 - 12	90430-08020	17 - 11		6 - 47	92990-08200	12 - 51	93210-04228	5 - 13
90119-06M24	12 - 33	90201-12426	13 - 46		25 - 6		7 - 5	92990-08600	10 - 18		24 - 22
90119-06M29	13 - 4	90201-13M19	14 - 14	90430-12072	18 - 4		7 - 28		22 - 34	93210-04230	5 - 26
90119-06M61	11 - 19	90201-17M00	18 - 19		25 - 15		7 - 32	92990-10100	18 - 8		24 - 29
90119-06M75	9 - 25	90201-20M21	14 - 28	90430-14115	2 - 34	90467-11M08	6 - 30	92990-10600	18 - 7	93210-064A5	15 - 38
90119-06M88	6 - 48	90201-20417	3 - 25		24 - 7	90467-12M11	6 - 46	92995-04600	10 - 21	93210-07003	17 - 70
90119-08MA3	2 - 29	90201-21M18	8 - 10	90440-14M00	13 - 48	90468-05M03	6 - 24	92995-06100	1 - 8	93210-09165	15 - 37
90119-08MA8	2 - 32	90201-22M67	13 - 23	90445-07ME9	17 - 65	90468-07M02	6 - 7		2 - 25	93210-10M74	15 - 54
90119-08M13	17 - 34	90201-30M00	14 - 4	90445-07MF1	18 - 26		6 - 11		9 - 15	93210-13M04	6 - 19
	25 - 25	90202-05088	6 - 23	90445-07M00	2 - 19		6 - 14		11 - 27	93210-16275	20 - 10
90119-08M16	17 - 33	90202-07M07	12 - 39	90445-07M23	2 - 20	90468-18008	12 - 9		11 - 29	93210-18M75	15 - 56
	25 - 26	90202-12060	18 - 3		4 - 1		12 - 40		13 - 6	93210-18397	15 - 26
90119-08M79	16 - 17	90202-12092	12 - 15	90445-07M44	6 - 10		12 - 52	92995-06600	1 - 9	93210-19MA7	6 - 4
90119-08M80	16 - 4	90202-20M06	14 - 29	90445-07M86	3 - 7	90480-09M12	11 - 15		1 - 13	93210-29M94	14 - 7
90119-08M84	18 - 9	90202-25M04	14 - 13	90445-07M87	6 - 12	90480-09M25	9 - 23		3 - 10	93210-32738	7 - 9
90119-08020	2 - 51	90206-10M04	12 - 32	90445-07M90	6 - 8	90480-19M06	18 - 15		7 - 3		24 - 18
90119-10005	2 - 10	90206-13019	11 - 6	90445-07240	6 - 9	90480-20M05	2 - 38		7 - 26	93210-39ME4	4 - 9
90151-05M00	17 - 14	90209-06M05	4 - 21	90445-07260	2 - 16	90480-24M04	2 - 18		8 - 7		24 - 3
90157-05M16	19 - 6	90249-06M19	13 - 31	90445-08M01	6 - 44	90501-10326	5 - 6		8 - 13		24 - 30
90157-06M01	11 - 20	90250-07M02	17 - 50	90445-09097	7 - 29	90501-12M48	17 - 40		8 - 18	93210-46M16	3 - 14
90157-06013	12 - 20	90266-06009	1 - 10	90445-09105	7 - 4	90501-12082	12 - 47		9 - 6		24 - 12
90157-06014	2 - 13	90280-04M04	17 - 25	90445-09220	7 - 33	90501-14M08	14 - 21		9 - 12	93210-46044	4 - 19
90159-06M11	9 - 29		25 - 27	90445-11M09	6 - 27	90501-16M11	2 - 40		9 - 42		17 - 28
90159-06M20	8 - 15	90280-05015	8 - 8	90464-07M05	6 - 15	90501-16M12	12 - 23		11 - 14		24 - 2
90167-06002	11 - 33	90282-04010	17 - 63	90464-09M31	11 - 43	90501-16M65	17 - 44		11 - 36		25 - 12
90170-09M03	20 - 5	90338-05M03	13 - 20	90464-11M18	13 - 19	90502-16M02	13 - 39		13 - 7		25 - 24
90170-16M01	17 - 37	90338-05M12	1 - 26	90464-11M24	6 - 28	90506-14M24	13 - 33		13 - 10	93210-49046	17 - 17
90170-20137	8 - 9	90340-08002	17 - 9	90464-15M08	11 - 21	90508-29M05	12 - 17		17 - 20		25 - 7
90171-16011	18 - 20	90340-14M00	2 - 33	90464-18M14	9 - 51	91318-08016	15 - 66		12 - 5	93210-62269	3 - 5
90179-06066	14 - 22	90386-07M58	12 - 50	90464-23M22	9 - 36	91490-40025	18 - 21	92995-08100	14 - 20		24 - 16
90183-02M03	17 - 48	90386-10M16	13 - 28	90465-06M90	8 - 16	91690-30012	12 - 3		14 - 35	93210-64488	15 - 28
90183-05M06	1 - 27	90386-12089	12 - 12	90465-08M23	9 - 13		13 - 38		16 - 14	93210-85M97	17 - 58

NUMERICAL INDEX
INDEX NUMERIQUE

PART NO. NO. PIECES	REF. NO.	PART NO. NO. PIECES	REF. NO.	PART NO. NO. PIECES	REF. NO.	PART NO. NO. PIECES	REF. NO.	PART NO. NO. PIECES	REF. NO.	PART NO. NO. PIECES	REF. NO.
93210-85M97	25 - 13	97013-08030	12 - 43	97885-06016	14 - 2						
93306-206U5	3 - 16	97075-08025	14 - 19		14 - 24						
93306-207U0	17 - 55		16 - 15	97885-06050	4 - 20						
93310-636U4	3 - 12	97075-08030	16 - 13	97980-04114	5 - 4						
93310-730V8	3 - 26	97075-08035	14 - 34	98501-04025	15 - 75						
93310-835U8	3 - 15		16 - 18	98501-05010	15 - 62						
93315-325V1	17 - 3	97075-10040	18 - 6	98503-05028	7 - 19						
93317-325U0	17 - 59	97095-05012	8 - 5	98580-03015	22 - 38						
93332-000U3	17 - 6	97095-06010	8 - 12	98580-04006	22 - 36						
93332-000W7	17 - 8		13 - 9	98580-04008	5 - 16						
93410-18M02	13 - 42		13 - 35	98580-04010	22 - 35						
93410-28M06	14 - 10	97095-06012	2 - 53	98580-05010	22 - 37						
93410-32M00	3 - 17		8 - 17	98780-04015	2 - 27						
93430-06024	22 - 10		9 - 14	98980-03006	5 - 36						
93450-07M00	17 - 72	97095-06014	2 - 24	99001-08600	17 - 71						
93501-04M02	12 - 46	97095-06016	1 - 7								
93503-16003	17 - 45		1 - 12								
93505-32038	15 - 79		6 - 31								
93603-12M11	17 - 42		9 - 50								
93603-21111	3 - 24		11 - 13								
93604-10M03	17 - 32		13 - 5								
93606-12019	16 - 3		17 - 19								
	16 - 21	97095-06020	3 - 9								
	18 - 5		7 - 2								
93608-12063	2 - 8		9 - 11								
93700-06M03	13 - 17		11 - 26								
94702-00247	2 - 57		11 - 35								
95303-06600	12 - 22	97095-06025	9 - 41								
95303-06700	2 - 15	97095-06030	11 - 18								
95313-10600	2 - 12		11 - 28								
95380-03600	5 - 35	97095-06040	7 - 25								
	7 - 16		8 - 6								
95380-04600	23 - 5	97095-06050	9 - 5								
	23 - 9	97095-06095	4 - 8								
95380-05600	6 - 22	97095-08012	2 - 56								
	12 - 25	97095-08016	12 - 4								
	12 - 28	97095-08045	12 - 10								
	22 - 7	97095-10045	13 - 14								
95380-06600	22 - 40	97380-05025	22 - 8								
95380-08600	7 - 11	97380-08030	22 - 33								
95380-12600	13 - 47	97595-06420	15 - 35								
95380-12800	14 - 17	97607-04310	15 - 11								
97013-06012	5 - 43	97780-40512	18 - 16								
97013-06016	9 - 19	97803-04008	5 - 34								
97013-06020	9 - 8	97880-05020	4 - 14								
	12 - 35	97880-06012	13 - 13								
97013-06030	4 - 16	97885-04010	10 - 20								
97013-08030	10 - 16	97885-05016	15 - 10								

75CETO/90AETO
PARTS CATALOGUE
©2002 by Yamaha Motor Co., Ltd.
1st Edition, Jul. 2002
All rights reserved.
Any reprinting or unauthorized use
without the written permission of
Yamaha Motor Co., Ltd.
is expressly prohibited.

75CETO/90AETO
CATALOGUE DE PIÈCES DÉTACHÉES
©2002 Yamaha Motor Co., Ltd.
1ère Edition, Juil. 2002
Tous droits réservés.
Toute réimpression ou utilisation
sans la permission écrite de la
Yamaha Motor Co., Ltd.
est formellement interdite.