

**PARTS
CATALOGUE
CATALOGUE
DE PIECES DETACHEES**

50GETO '03 (62F2)

60FETO '03 (6H26)

70BETO '03 (6H32)

FOREWORD

This Parts Catalogue is related to the parts for the model(s) in the below frame. When you are ordering replacement parts, please refer to this Parts Catalogue and quote both part numbers and part names correctly.

50GETO'03(62F2), 60FETO'03(6H26), 70BETO'03(6H32)

1. Modifications or additions which have been made after issue of the Parts Catalogue will be announced in the Yamaha Parts News.
It is advisable that you make necessary corrections to the Parts Catalogue according to the Yamaha Parts News.

2. Abbreviations

The Following abbreviations are used in this Parts Catalogue.

“UR” Use specified parts number.

“UN” Use as many as needed.

“AP” Alternate Parts

“LM” Local Made
(Parts need to be ordered locally)

“O/S” Over Size

3. Parts, which are to be supplied in an assembly, are listed with a dot(.) in front of the part name as shown below.

EXAMPLE

CARBURETOR ASSY

.JET, PILOT

.NOZZLE, MAIN

4. Number of component for assembly

The numeral appearing to the right of each component part indicates the quantity of parts for each assembly unit.

EXAMPLE

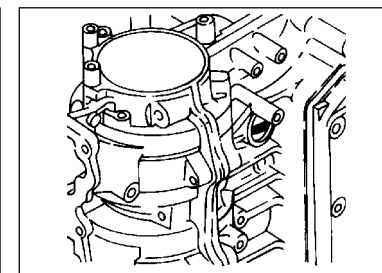
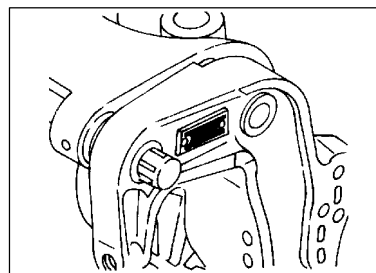
PART NO.	DESCRIPTION	u	u	u	u	REMARKS
6E0-85500-70	C.D.I. MAGNETO ASSY	1				
6E0-85550-70	.ROTOR ASSY	1				
6E0-15723-00-94..	PULLY, STARTER	1				

5. Quantity Column Information

NAME for Q'TY COLUMN	APPLICABLE MODEL
60F	60FETO
70B	70BETO
50G	50GETO

6. Applicable Starting Serial No. and Color Code
1) Engine Starting Sserial No.

50GETO L 62F : 1000001	70BETO L 6H3 : 1000001
60FETO L 6H2 : 1000001	



- 2) Color Code

Color Code	Color Name	Abbreviation
004D	DARK BLUISH GRAY METALLIC 2	DBNM2

7. Note that the illustrations for reference in finding parts numbers, not to be used for assembling. When assembling, please use the applicable service manual.
8. The asterisk (*) before a reference number indicates modification items after the first edition.

CONTENTS

SHEET 1/2

TOP COWLING	A4
CYLINDER. CRANKCASE	A6
CRANKSHAFT. PISTON	B1
INTAKE	B2
CARBURETOR	B4
OIL PUMP	B7
FUEL	C3
GENERATOR	C5
ELECTRICAL	C6
STARTING MOTOR	D1
BOTTOM COWLING	D2
CONTROL	D4
BRACKET 1	D6
BRACKET 2	E1
POWER TRIM & TILT ASSY	E3
UPPER CASING	E6
LOWER CASING. DRIVE 1	E7
LOWER CASING. DRIVE 2	F4
LOWER CASING. DRIVE 3	F6

INDEX

NUMERICAL INDEX	G1
-----------------------	----

SHEET 2/2

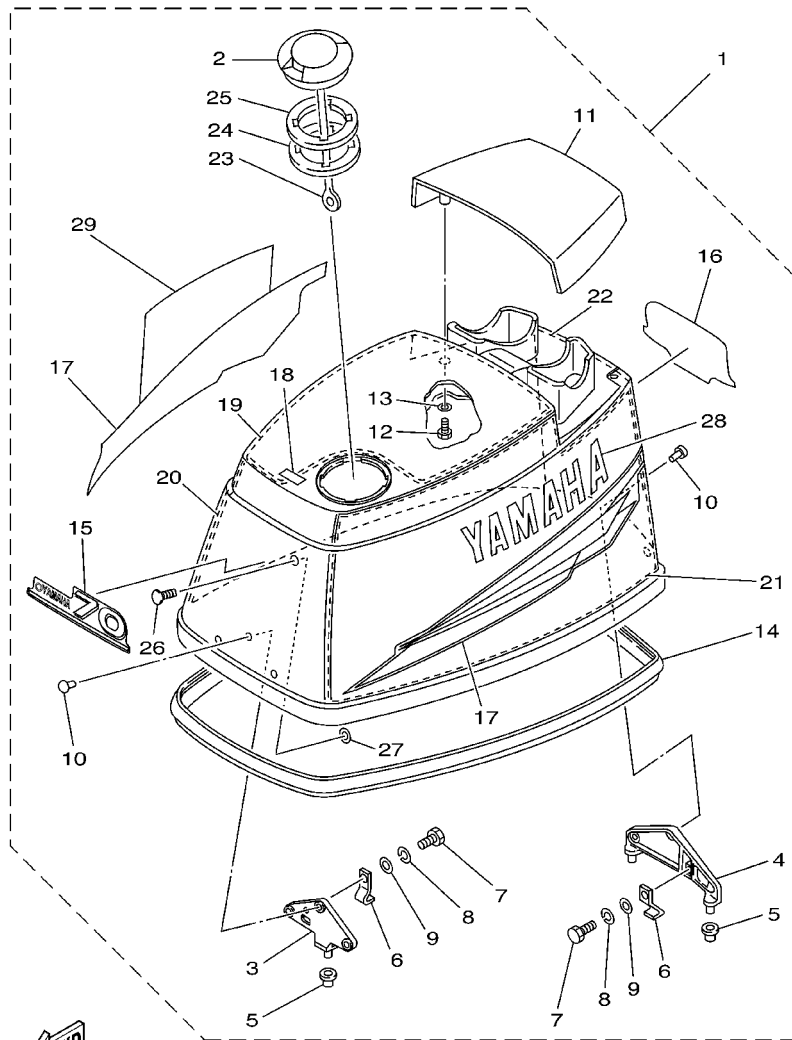
LOWER CASING. DRIVE 3	A4*
LOWER CASING. DRIVE 4	A5*
FUEL TANK	A7*
STEERING GUIDE	B1*
REMOTE CONTROL BOX	B2*
REMOTE CONTROL ASSY	B3*
METER	B6*
REPAIR KIT 1	B7*
REPAIR KIT 2	C2*

INDEX

NUMERICAL INDEX	G1*
-----------------------	-----

FIG. 1 TOP COWLING

CAPOT SUPERIEUR

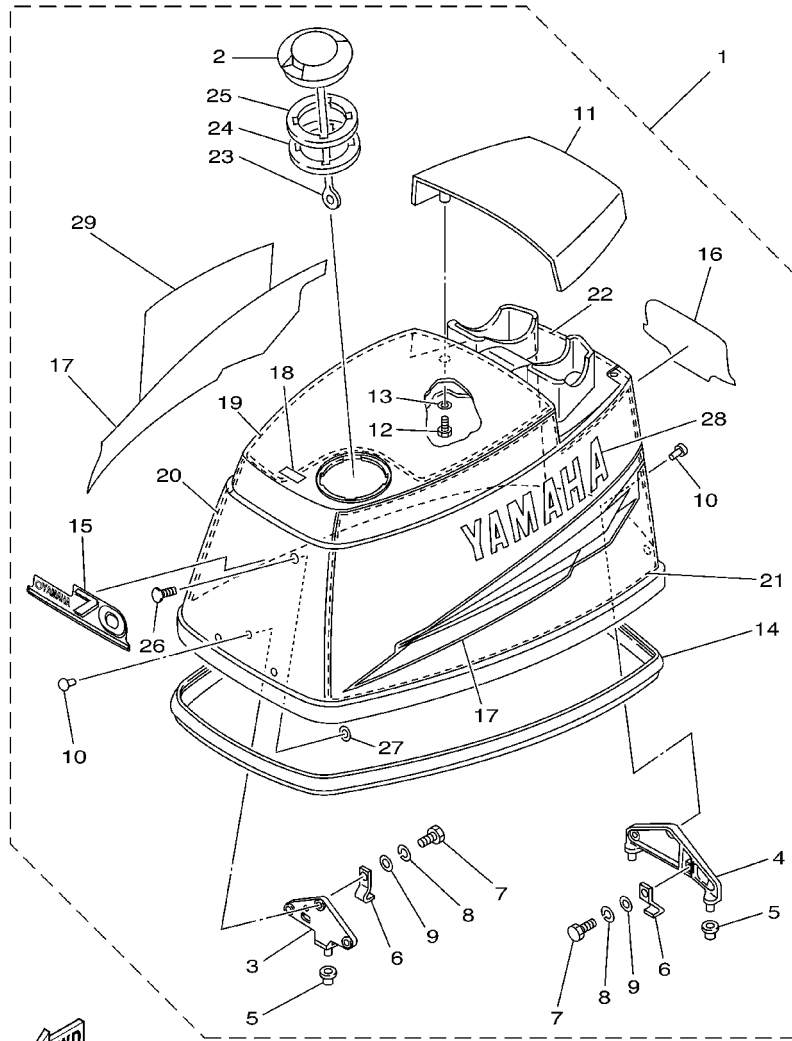


6H23300-2010

REF. NO.	PART NO. NO. PIECES	DESCRIPTION DESCRIPTION	60F	70B	50G	REMARKS REMARQUES
1	6H3-42610-50-4D	TOP COWLING ASSY CAPOT (ENS.)		1		
	6H2-42610-80-4D	TOP COWLING ASSY CAPOT (ENS.)	1			
	62F-42610-40-4D	TOP COWLING ASSY CAPOT (ENS.)			1	
2	63D-2177H-00	.DISK CAP 2 .BOUCHON DE DISQUE 2	1	1	1	
3	6H3-42647-00-94	.HOLDER, CLAMP BAND .SUPPORT, SANDOW DE SERRAGE	1	1	1	
4	6H3-42649-00-94	.HOLDER, CLAMP BAND .SUPPORT, SANDOW DE SERRAGE	1	1	1	
5	663-42662-00	.DAMPER .AMORTISSEUR	3	3	3	
6	6H3-42652-00	.HOOK .CROCHET	2	2	2	
7	97095-06016	.BOLT .BOULON	2	2	2	
8	92995-06100	.WASHER, SPRING .RONDELLE, GROUVER	2	2	2	
9	92995-06600	.WASHER .RONDELLE	2	2	2	
10	90266-06009	.RIVET .RIVET	6	6	6	
11	6H3-42613-01-4D	.MOLDING, AIR DUCT .MANCHON A AIR	1	1	1	
12	97095-06016	.BOLT .BOULON	4	4	4	
13	92995-06600	.WASHER .RONDELLE	4	4	4	
14	6H3-42615-00	.SEAL .JOINT	1	1	1	
15	6H3-42677-50	.GRAPHIC, FRONT .ADHESIF, AVANT		1		
	6H2-42677-50	.GRAPHIC, FRONT .ADHESIF, AVANT	1			
	62F-42677-40	.GRAPHIC, FRONT .ADHESIF, AVANT			1	
16	6H3-42678-30	.GRAPHIC, REAR .ADHESIF, ARRIERE		1		
	6H2-42678-30	.GRAPHIC, REAR .ADHESIF, ARRIERE	1			
	62F-42678-30	.GRAPHIC, REAR .ADHESIF, ARRIERE			1	
17	6H3-W0070-30	.GRAPHIC SET .JEU DIEMBLEMES	1	1	1	
18	6H3-13436-00	.MARK .ADHESIF		1	1	
	6H3-13436-40	.MARK .ADHESIF	1			
19	6H3-42617-10	.DAMPER, FORM .BOURRELET, CAOUTCHOUC	1	1	1	
20	6H3-42619-00	.DAMPER, FORM .BOURRELET, CAOUTCHOUC	1	1	1	

FIG. 1 TOP COWLING

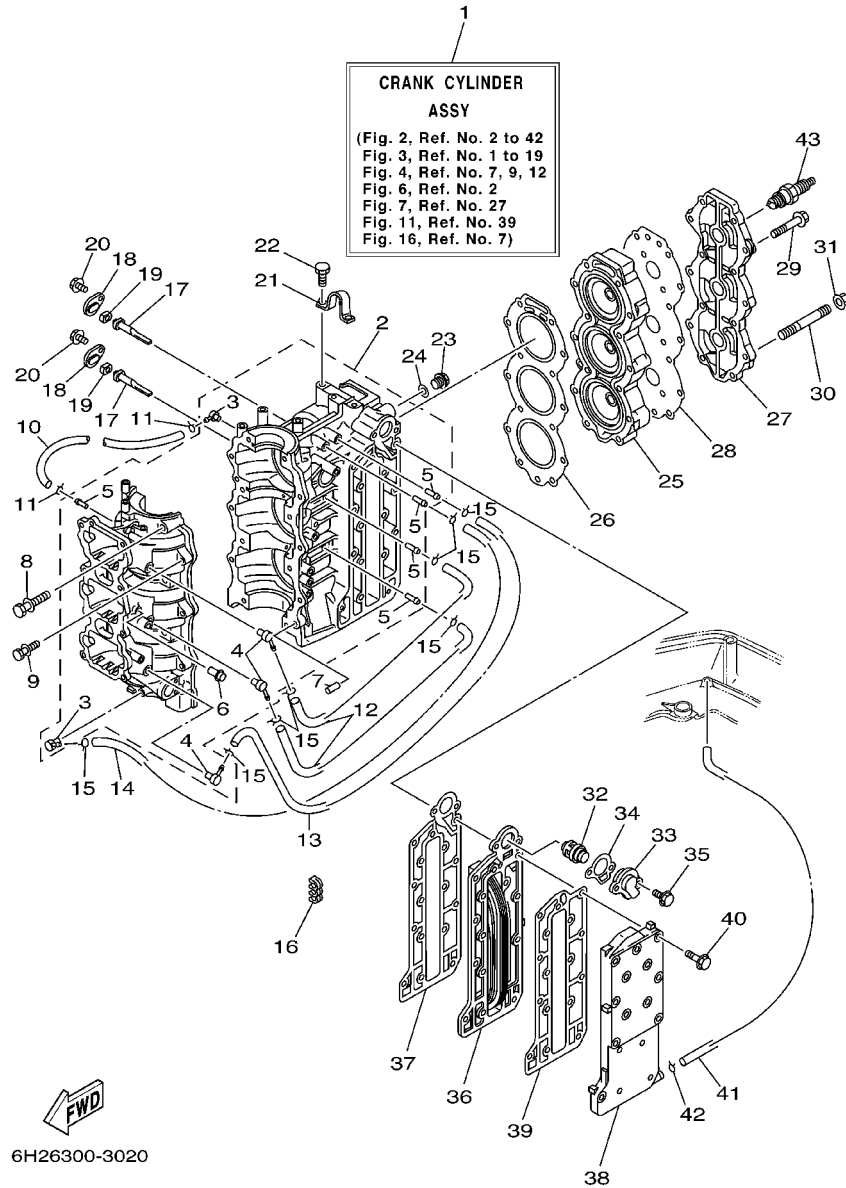
CAPOT SUPERIEUR



6H23300-2010

REF. NO.	PART NO. NO. PIECES	DESCRIPTION DESCRIPTION	60F	70B	50G	REMARKS REMARQUES
21	6H3-42627-00	.DAMPER, FORM .BOURRELET, CAOUTCHOUC	1	1	1	
22	6H3-42637-00	.DAMPER, FORM .BOURRELET, CAOUTCHOUC	1	1	1	
23	6H1-42694-00	.BAND .COLLIER	1	1	1	
24	6H3-21732-00	.SEAL 1 .JOINT 1	1	1	1	
25	6H3-21735-00	.SEAL 2 .JOINT 2	1	1	1	
26	90338-05M03	.PLUG .PLOT	1	1	1	
27	90183-05M06	.NUT, SPRING .ECROU, RESSORT	1	1	1	
28	6H3-42681-30	.MARK, COWLING .ADHESIF, CAPOT	1	1	1	
29	6H3-42682-30	.MARK, COWLING .ADHESIF, CAPOT	1	1	1	

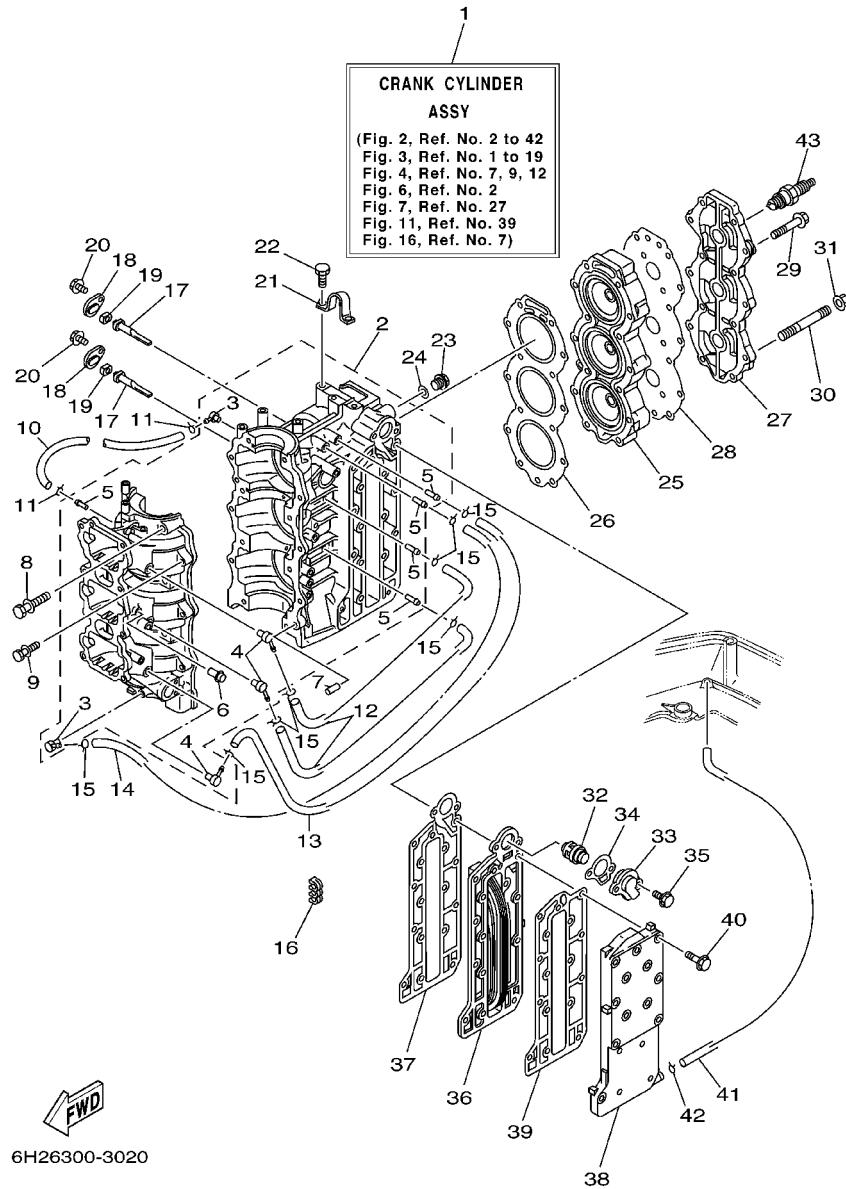
FIG. 2 CYLINDER. CRANKCASE CYLINDRE. CARTER



6H26300-3020

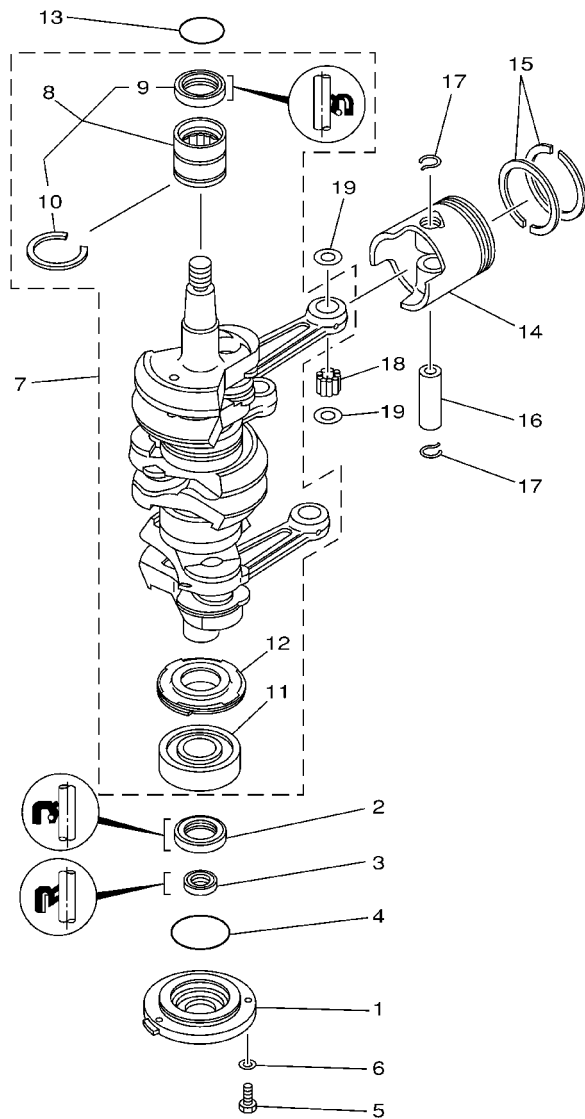
REF. NO.	PART NO. NO. PIECES	DESCRIPTION DESCRIPTION	60F	70B	50G	REMARKS REMARQUES
1	6H3-W0090-44-1S	CRANK CYLINDER ASSY EMBIELLAGE CYLINDRE (ENS.)	1	1		
	62F-W0090-12-1S	CRANK CYLINDER ASSY EMBIELLAGE CYLINDRE (ENS.)			1	
2	6H3-15100-14-1S	CRANKCASE ASSY CARTER DE MOTEUR COMPLET	1	1		
	62F-15100-12-1S	CRANKCASE ASSY CARTER DE MOTEUR COMPLET			1	
3	688-11370-01	.CHECK VALVE ASSY .CLAPET (ENS.)	2	2	2	
4	650-11370-01	.CHECK VALVE ASSY .CLAPET (ENS.)	3	3	3	
5	624-14485-00	.PIPE, JOINT .DURITE	5	5	5	
6	650-24378-00	.PIPE, JOINT 4 .DURITE RACCORDEMENT 4	1	1	1	
7	93608-12063	PIN, DOWEL AXE	2	2	2	
8	90119-10005	BOLT, WITH WASHER BOULON, AVEC RONDELLE	8	8	8	
9	90119-08M64	BOLT, WITH WASHER BOULON, AVEC RONDELLE	6	6	6	
10	90445-07M44	HOSE (L250) DURITE (L250)	1	1	1	
11	90467-06016	CLIP JONC	2	2	2	
12	90445-07M02	HOSE (L167) DURITE (L167)	2	2	2	
13	90445-07M45	HOSE (L340) DURITE (L340)	1	1	1	
14	90445-07M82	HOSE (L440) DURITE (L440)	1	1	1	
15	90467-06016	CLIP JONC	8	8	8	
16	90464-07M05	CLAMP BRIDE	1	1	1	
17	6H3-11325-01	ANODE ANODE	2	2	2	
18	6H3-11327-00-1S	COVER, ANODE COUVERCLE	2	2	2	
19	6H3-11328-00	GROMMET, ANODE PASSE-FIL	2	2	2	
20	90119-06023	BOLT, WITH WASHER BOULON, AVEC RONDELLE	2	2	2	
21	688-11119-01	HANGER, ENGINE ANNEAU, LEVAGE	1	1	1	
22	90101-08002	BOLT BOULON	2	2	2	
23	90340-14M00	PLUG, STRAIGHT SCREW PLOT, FILETE DROIT	1	1	1	
24	90430-14115	GASKET JOINT	1	1	1	
25	6H3-11111-01-1S	HEAD, CYLINDER 1 CULASSE	1	1		

FIG. 2 CYLINDER. CRANKCASE CYLINDRE. CARTER



6H26300-3020

REF. NO.	PART NO. NO. PIECES	DESCRIPTION DESCRIPTION	60F	70B	50G	REMARKS REMARQUES
25	62F-11111-00-1S	HEAD, CYLINDER 1 CULASSE			1	
26	6H3-11181-A1	GASKET, CYLINDER HEAD 1 JOINT, DE CULASSE 1	1	1	1	
27	6H3-11191-00-1S	COVER, CYLINDER HEAD 1 COUVERCLE, CULASSE 1	1	1	1	
28	6H3-11193-A1	GASKET, HEAD COVER 1 JOINT, COUVERCLE DE CULASSE 1	1	1	1	
29	90119-08MA5	BOLT, WITH WASHER BOULON, AVEC RONDELLE	13	13	13	
30	90116-08M69	BOLT, STUD GOUJON	1	1	1	
31	90179-08M34	NUT ECROU	1	1	1	
32	6H3-12411-10	THERMOSTAT THERMOSTAT	1	1	1	
33	6H3-12413-00-1S	COVER, THERMOSTAT COUVERCLE, THERMOSTAT	1	1	1	
34	6H3-12414-A1	GASKET, COVER JOINT, COUVERCLE	1	1	1	
35	90119-06MA3	BOLT, WITH WASHER BOULON, AVEC RONDELLE	2	2	2	
36	6H3-41111-01-1S	INNER COVER, EXHAUST PLAQUE, ECHAPPEMENT	1	1	1	
37	6H3-41112-A0	GASKET, EXHAUST INNER COVER JOINT, PLAQUE D'ECHAPPEMENT	1	1	1	
38	6H3-41113-02-1S	OUTER COVER, EXHAUST COUVERCLE, ECHAPPEMENT	1	1	1	
39	6H3-41114-A0	GASKET, EXHAUST OUTER COVER JOINT, COUVERCLE D'ECHAPPEMENT	1	1	1	
40	90119-06MA5	BOLT, WITH WASHER BOULON, AVEC RONDELLE	16	16	16	
41	663-24312-01	PIPE 2 DURITE 2	1	1	1	
42	90467-08004	CLIP JONC	1	1	1	
43	94702-00247	PLUG, SPARK (NGK BR8HS-10) BOUGIE D'ALLUMAGE (NGK BR8HS-10)	3	3	3	



6H30010-9030

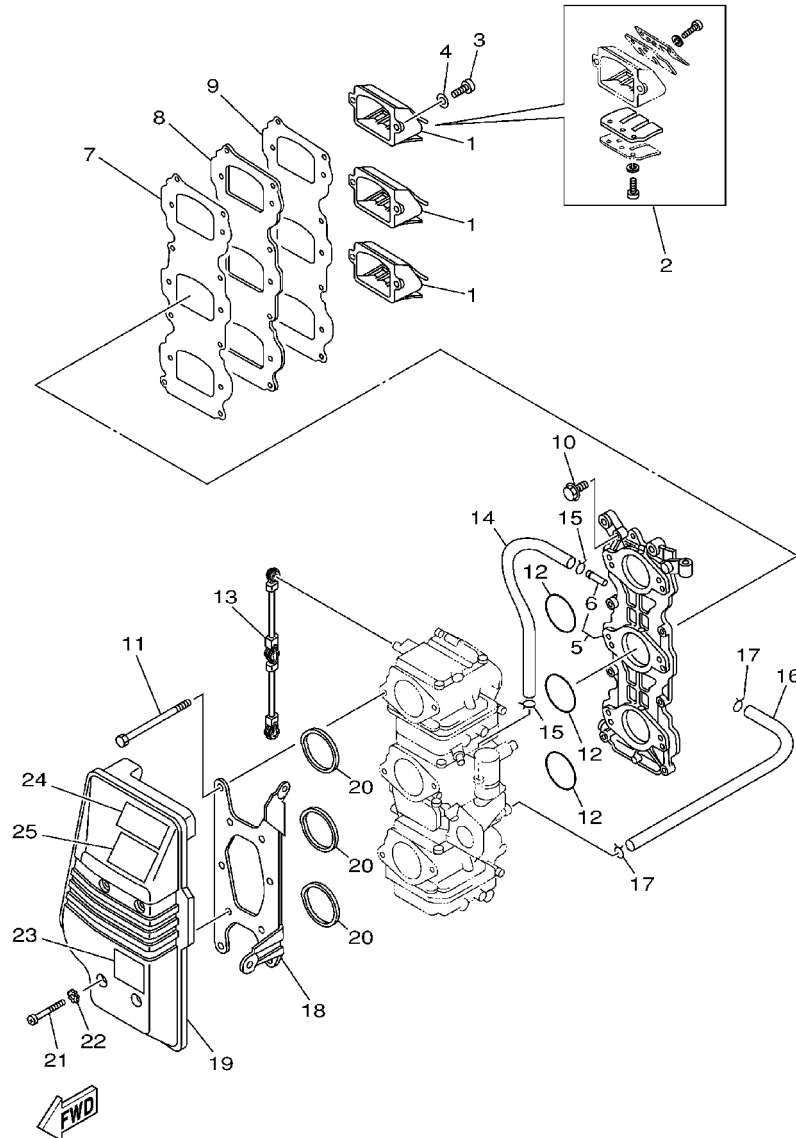
FIG. 3 CRANKSHAFT. PISTON VILEBREQUIN. PISTON

REF. NO.	PART NO. NO. PIECES	DESCRIPTION DESCRIPTION	60F	70B	50G	REMARKS REMARQUES
1	6H3-15359-00-94	HOUSING, OIL SEAL LOGEMENT, BAGUE D'ETANCHEITE	1	1	1	
2	93102-30M23	OIL SEAL JOINT SPY	1	1	1	
3	93106-18M01	OIL SEAL JOINT SPY	1	1	1	
4	93210-65M50	O-RING JOINT TORIQUE	1	1	1	
5	97095-06020	BOLT BOULON	3	3	3	
6	92995-06600	WASHER RONDELLE	3	3	3	
7	6H3-11400-10	CRANKSHAFT ASSY VILEBREQUIN COMPLET	1	1	1	
8	93311-636U6	.BEARING .ROULEMENT	1	1	1	
9	93102-36M24	..OIL SEAL ..JOINT SPY	1	1	1	
10	93440-49M04	..CIRCLIP ..CIRCLIP	1	1	1	
11	93306-306V1	.BEARING .ROULEMENT	1	1	1	
12	6H3-11536-00	.GEAR, DRIVE .ENGRENAGE, MENANT	1	1	1	
13	93210-46M16	O-RING JOINT TORIQUE	1	1	1	
14	6H3-11631-01-96	PISTON (STD) PISTON (STD)	3	3	3	
	6H3-11635-01	PISTON (0.25MM O/S) PISTON (0.25MM O/S)	3	3	3	AP
	6H3-11636-01	PISTON (0.50MM O/S) PISTON (0.50MM O/S)	3	3	3	AP
15	6K5-11601-02	PISTON RING SET (STD) JEU DE SEGMENTS (STD)	3	3	3	
	6K5-11601-12	PISTON RING SET (0.25MM O/S) JEU DE SEGMENTS (0.25MM O/S)	3	3	3	AP
	6K5-11601-22	PISTON RING SET (0.50MM O/S) JEU DE SEGMENTS (0.50MM O/S)	3	3	3	AP
16	6H3-11633-00	PIN, PISTON AXE, PISTON	3	3	3	
17	688-11634-10	CLIP, PISTON PIN AGRAFE, AXE DE PISTON	6	6	6	
18	93603-18M09	PIN, DOWEL CLAVETTE	84	84	84	
19	90201-20417	WASHER, PLATE RONDELLE, PLATE	6	6	6	

B1

FIG. 4 INTAKE

ADMISSION



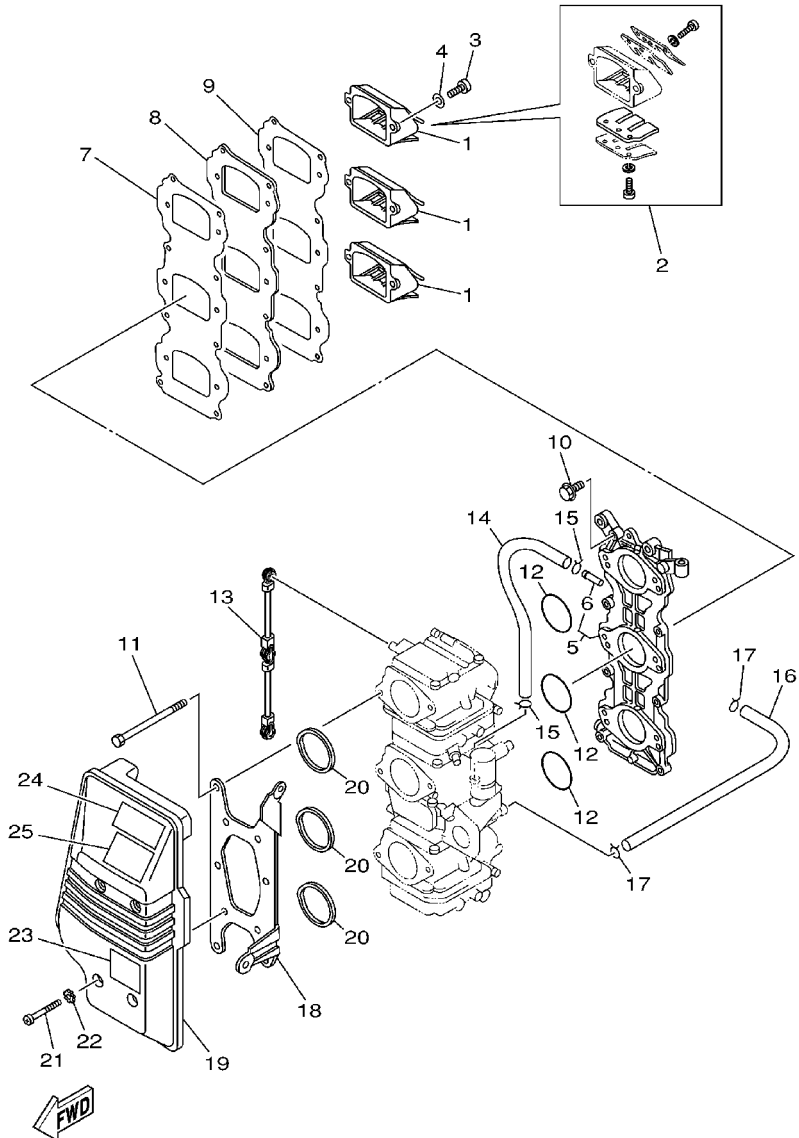
6H31100-2040

REF. NO.	PART NO. NO. PIECES	DESCRIPTION DESCRIPTION	60F	70B	50G	REMARKS REMARQUES
1	6H3-13610-00	REED VALVE ASSY CLAPET COMPLET		3		
	6H2-13610-00	REED VALVE ASSY CLAPET COMPLET	3		3	
2	688-W0004-00	.REED SET .JEU DE CLAPETS	1	1	1	
3	97880-05016	SCREW, PAN HEAD VIS, TETE TRONCONIQUE	6	6	6	
4	92990-05600	WASHER, PLATE RONDELLE, PLATE	6	6	6	
5	6H3-13641-13-94	MANIFOLD 1 TUBULURE 1	1	1		
	62F-13641-10-94	MANIFOLD 1 TUBULURE 1			1	
6	6H1-14485-00	.PIPE, JOINT .DURITE	4	4	4	
7	6H3-13621-A1	GASKET, VALVE SEAT JOINT, SIEGE DE CLAPET	1	1	1	
8	6H3-13624-00-94	PLATE, REED VALVE PLAQUE DE CLAPET	1	1	1	
9	6H3-13622-A1	GASKET, VALVE SEAT JOINT, SIEGE DE CLAPET	1	1	1	
10	90119-06MA3	BOLT, WITH WASHER BOULON, AVEC RONDELLE	8	8	8	
11	97095-06095	BOLT BOULON	6	6	6	
12	93210-39ME4	O-RING JOINT TORIQUE	3	3		
	6H4-14198-01	GASKET JOINT			3	
13	6H3-41217-00	ROD, ACCEL. LEVER TIGE, LEVIER ACCELERATION	1	1	1	
14	90445-07255	HOSE (L160) DURITE (L160)	1	1	1	
15	90467-06016	CLIP JONC	2	2	2	
16	6H3-14349-00	PIPE DURITE	1	1	1	
17	90467-08004	CLIP JONC	2	2	2	
18	6H3-14413-10	STAY SUPPORT	1	1	1	
19	6H3-14440-02	SILENCER ASSY, INTAKE SIENCIEUX D'ADMISSION	1	1	1	
20	6H3-14457-01	SEAL JOINT	3	3	3	
21	97885-06045	SCREW, PAN HEAD VIS, A ENCOCHE	4	4	4	
22	90209-06M05	WASHER RONDELLE	4	4	4	
23	6H1-85711-60	MARK, CAUTION MAKER	1	1	1	
24	6A1-83625-41	MARK 5 ETIQUETTE 5	1	1	1	

FIG. 4 INTAKE

ADMISSION

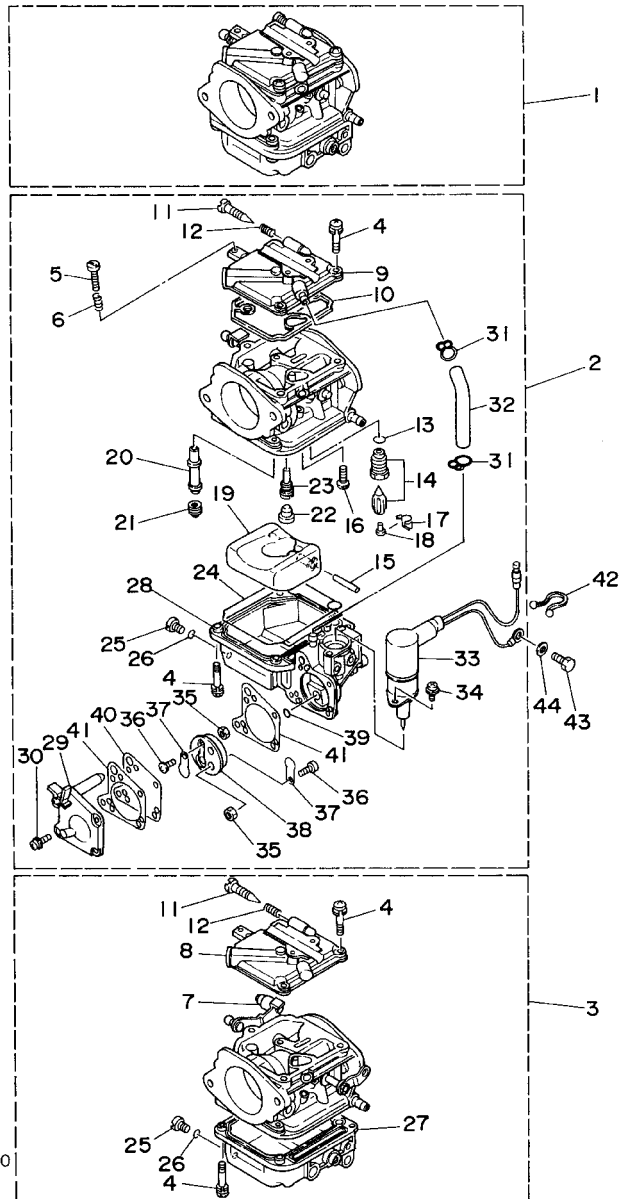
REF. NO.	PART NO. NO. PIECES	DESCRIPTION DESCRIPTION	60F	70B	50G	REMARKS REMARQUES
25	6A1-83625-51	MARK 5 ETIQUETTE 5	1	1	1	



6H31100-2040

FIG. 5 CARBURETOR

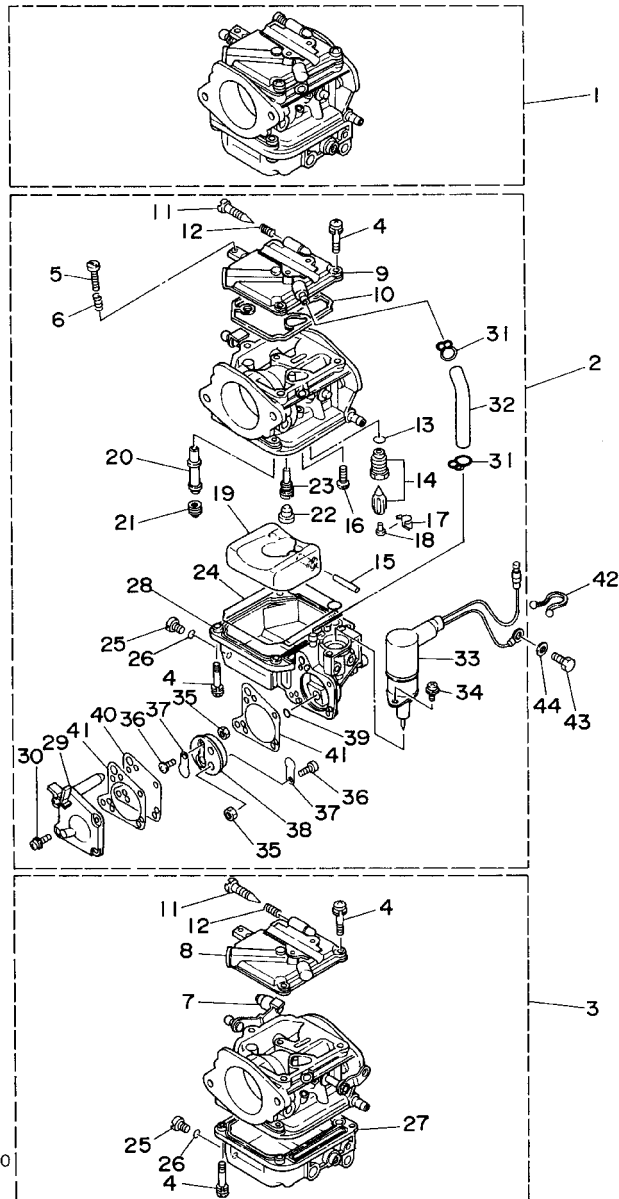
CARBURATEUR



REF. NO.	PART NO. NO. PIECES	DESCRIPTION DESCRIPTION	60F	70B	50G	REMARKS REMARQUES
1	6H3-14301-0A	CARBURETOR ASSY 1 CARBURATEUR COMPLET 1		1		
	6H2-14301-0A	CARBURETOR ASSY 1 CARBURATEUR COMPLET 1	1			
	62F-14301-00	CARBURETOR ASSY 1 CARBURATEUR COMPLET 1			1	
2	6H3-14302-0A	CARBURETOR ASSY 2 CARBURATEUR COMPLET 2		1		
	6H2-14302-0A	CARBURETOR ASSY 2 CARBURATEUR COMPLET 2	1			
	62F-14302-00	CARBURETOR ASSY 2 CARBURATEUR COMPLET 2			1	
3	6H3-14303-0A	CARBURETOR ASSY 3 CARBURATEUR COMPLET 3		1		
	6H2-14303-0A	CARBURETOR ASSY 3 CARBURATEUR COMPLET 3	1			
	62F-14303-00	CARBURETOR ASSY 3 CARBURATEUR COMPLET 3			1	
4	97980-04114	.SCREW, WITH WASHER .VIS, AVEC RONDELLE	21	21	21	
5	63V-14523-00	.SCREW, STOP .VIS, BUTEE	1	1	1	#2
6	90501-10326	.SPRING, COMPRESSION .RESSORT, COMPRESSION	1	1	1	#2
7	6H2-14578-00	.COLLAR .COLLERETTE	1	1	1	#3
8	6H4-14146-00	.PLATE .PLAQUE	2	2	2	#1,3
9	6H3-14146-10	.PLATE .PLAQUE	1	1	1	#2
10	6H4-14147-00	.O-RING .JOINT TORIQUE	3	3	3	
11	692-14923-00	.SCREW, PILOT .VIS, RALENTI	3	3	3	
12	697-14555-00	.SPRING .RESSORT	4	4		
	679-14555-00	.SPRING .RESSORT			4	
13	93210-04228	.O-RING .JOINT TORIQUE	3	3	3	
14	6H3-14590-01	.NEEDLE VALVE ASSY .POINTEAU	3	3		
	6H4-14590-01	.NEEDLE VALVE ASSY .POINTEAU			3	
15	6H4-14548-00	.PIN, FLOAT ARM .AXE, BRAS DE FLOTTEUR	3	3	3	
16	98580-04008	.SCREW, PAN HEAD .VIS	3	3	3	
17	663-14159-00	.CLIP .JONC	3	3	3	
18	676-14186-00	.PIN, FLOAT .AXE, FLOTTEUR	3	3	3	
19	6H4-14985-01	.FLOAT .FLOTTEUR	3	3	3	

FIG. 5 CARBURETOR

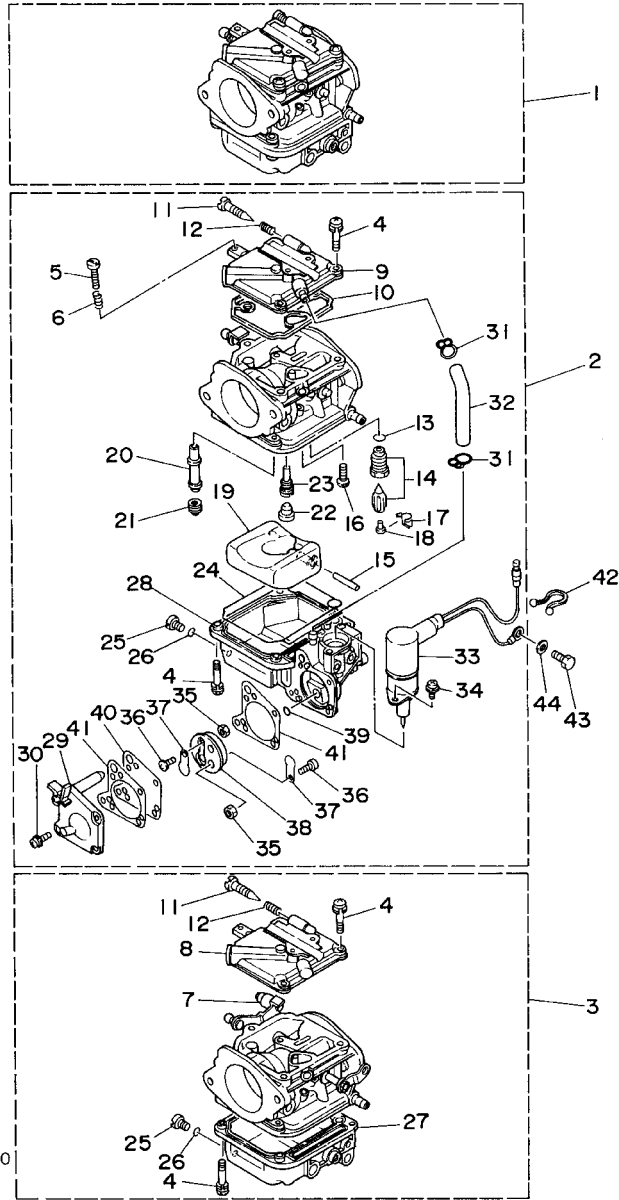
CARBURATEUR



REF. NO.	PART NO. NO. PIECES	DESCRIPTION DESCRIPTION	60F	70B	50G	REMARKS REMARQUES
20	6H3-14947-71	.JET, NEEDLE .GICLEUR DE STARTER		3		
	6H2-14947-71	.JET, NEEDLE .GICLEUR DE STARTER	3			
	62F-14947-00	.JET, NEEDLE .GICLEUR DE STARTER			3	
21	6H3-14943-37	.JET, MAIN (#150) .GICLEUR, PRINCIPAL (#150)		3		
	6H3-14943-35	.JET, MAIN (#140) .GICLEUR, PRINCIPAL (#140)	2			#1,2
	6H3-14943-36	.JET, MAIN (#145) .GICLEUR, PRINCIPAL (#145)	1			#3
	676-14943-32	.JET, MAIN (#125) .GICLEUR, PRINCIPAL (#125)			3	
22	676-14966-00	.CAP .CAPUCHON	3	3	3	
23	6H3-14948-17	.JET (#75) .GICLEUR (#75)		3		
	6H3-14948-13	.JET (#65) .GICLEUR (#65)	3			
	6H4-14948-13	.JET (#65) .GICLEUR (#65)			3	
24	6H4-14984-00	.GASKET, FLOAT CHAMBER .JOINT, CUVE DE FLOTTEUR	3	3	3	
25	6H3-14992-00	.SCREW, DRAIN .BOUCHON, PURGE	3	3	3	
26	93210-04230	.O-RING .JOINT TORIQUE	3	3	3	
27	6H4-14980-00	.BODY, FLOAT CHAMBER .CORPS, CUVE DE FLOTTEUR	2	2	2	#1,3
28	6H3-14980-10	.BODY, FLOAT CHAMBER .CORPS, CUVE DE FLOTTEUR	1	1	1	#2
29	6H3-24452-10	.COVER .COUVERCLE	1	1	1	#2
30	6H4-14567-00	.SCREW .VIS	4	4	4	#2
31	6H3-14137-00	.CLIP .JONC	2	2	2	#2
32	6H3-14349-00	.PIPE .DURITE	1	1	1	#2
33	6H3-14380-00	.STARTER ASSY .DEMARREUR COMPLET	1	1	1	#2
34	97803-04010	.SCREW, PAN HEAD .VIS, CRUCIFORME	2	2	2	#2
35	95380-03600	.NUT .ECROU	2	2	2	#2
36	98980-03006	.SCREW, BIND .VIS	2	2	2	#2
37	6L5-24421-00	.VALVE, CHECK .SOUPAPE, RETENUE	2	2	2	#2
38	6H4-24413-00	.BODY 2 .CORPS 2	1	1	1	#2
39	6H4-24486-00	.O-RING .JOINT TORIQUE	1	1	1	#2

FIG. 5 CARBURETOR

CARBURATEUR

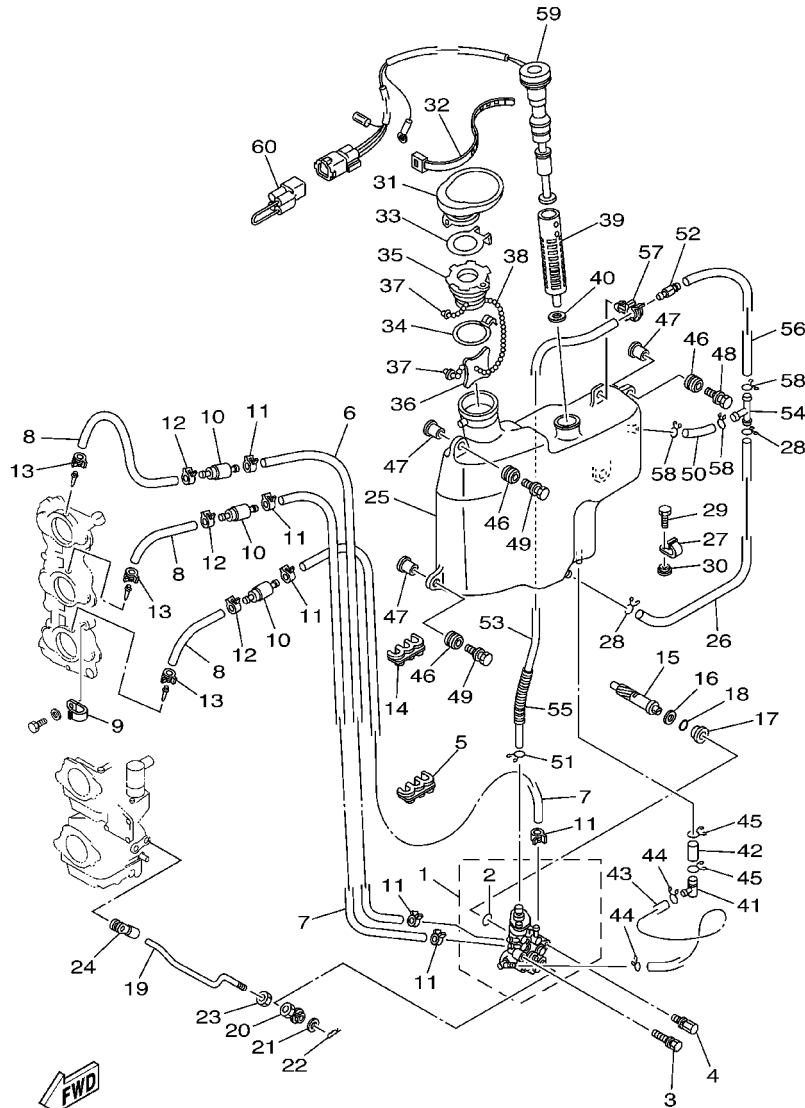


6H30010-4050

REF. NO.	PART NO. NO. PIECES	DESCRIPTION DESCRIPTION	60F	70B	50G	REMARKS REMARQUES
40	6H3-24411-10	.DIAPHRAGM .DIAPHRAGME	1	1	1	#2
41	6H3-24434-10	.GASKET, BODY .JOINT, CORPS	2	2	2	#2
42	90465-18147	CLAMP BRIDE	1	1	1	
43	97013-06012	BOLT BOULON	1	1	1	
44	92903-06600	WASHER, PLATE RONDELLE, PLATE	1	1	1	

FIG. 6 OIL PUMP

POMPE A HUILE

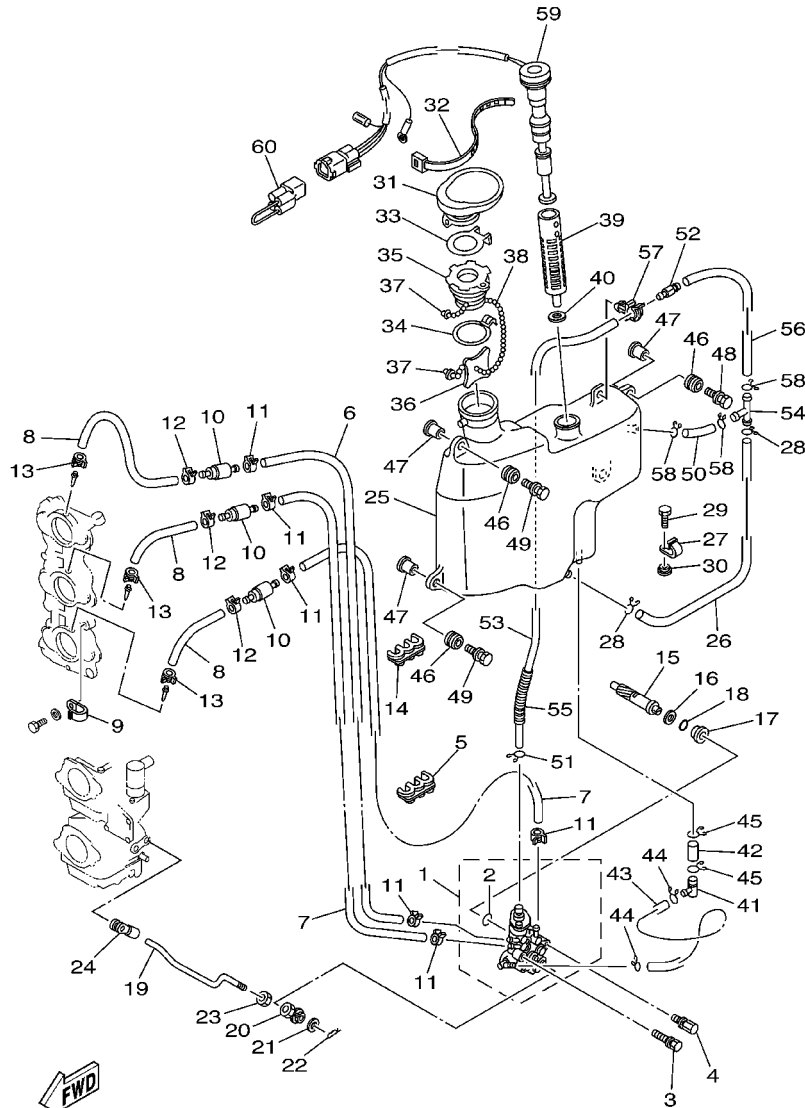


6H32010-3060

REF. NO.	PART NO. NO. PIECES	DESCRIPTION DESCRIPTION	60F	70B	50G	REMARKS REMARQUES
1	6H3-13200-02	OIL INJECTION PUMP ASSY	1	1		
	62F-13200-00	POMPE A HUILE COMPLET			1	
		OIL INJECTION PUMP ASSY				
		POMPE A HUILE COMPLET				
2	93210-19MA7	.O-RING	1	1	1	
		.JOINT TORIQUE				
3	90109-06M39	BOLT	1	1	1	
		BOULON				
4	90109-06M40	BOLT	1	1	1	
		BOULON				
5	90464-07M05	CLAMP	1	1	1	
		BRIDE				
6	90445-07M44	HOSE (L250)	1	1	1	
		DURITE (L250)				
7	90445-07M23	HOSE (L408)	2	2	2	
		DURITE (L408)				
8	90445-07M87	HOSE (L110)	3	3	3	
		DURITE (L110)				
9	90465-06M86	CLAMP	1	1	1	
		BRIDE				
10	6E9-13183-70	VALVE, CHECK	3	3	3	
		CLAPET ANTI RETOUR				
11	90468-07M02	CLIP	6	6	6	
		JONC				
12	90468-07M02	CLIP	3	3	3	
		JONC				
13	90468-07M02	CLIP	3	3	3	
		JONC				
14	90464-07M05	CLAMP	1	1	1	
		BRIDE				
15	6H3-11537-01	GEAR, DRIVEN	1	1	1	
		PIGNON SECONDAIRE				
16	90201-08M93	WASHER, PLATE	1	1	1	
		RONDELLE, PLATE				
17	6H1-13117-01	COLLAR, DISTANCE	1	1	1	
		ENTRETOISE				
18	93210-13M04	O-RING	1	1	1	
		JOINT TORIQUE				
19	6H3-41241-01	ROD, LINK	1	1	1	
		BIELLETTTE				
20	6H1-41237-00	JOINT, LINK	1	1	1	
		RACCORD				
21	90202-05088	WASHER, PLATE	1	1	1	
		RONDELLE, PLATE				
22	90468-05M03	CLIP	1	1	1	
		JONC				
23	95380-05600	NUT	1	1	1	
		ECROU				
24	6E9-41237-00	JOINT, LINK	1	1	1	
		RACCORD				
25	6H3-21707-06	OIL TANK COMP.	1	1	1	
		RESERVOIR A PETROLE COMP.				
26	90445-11M03	HOSE (L330)	1	1	1	
		DURITE (L330)				

FIG. 6 OIL PUMP

POMPE A HUILE

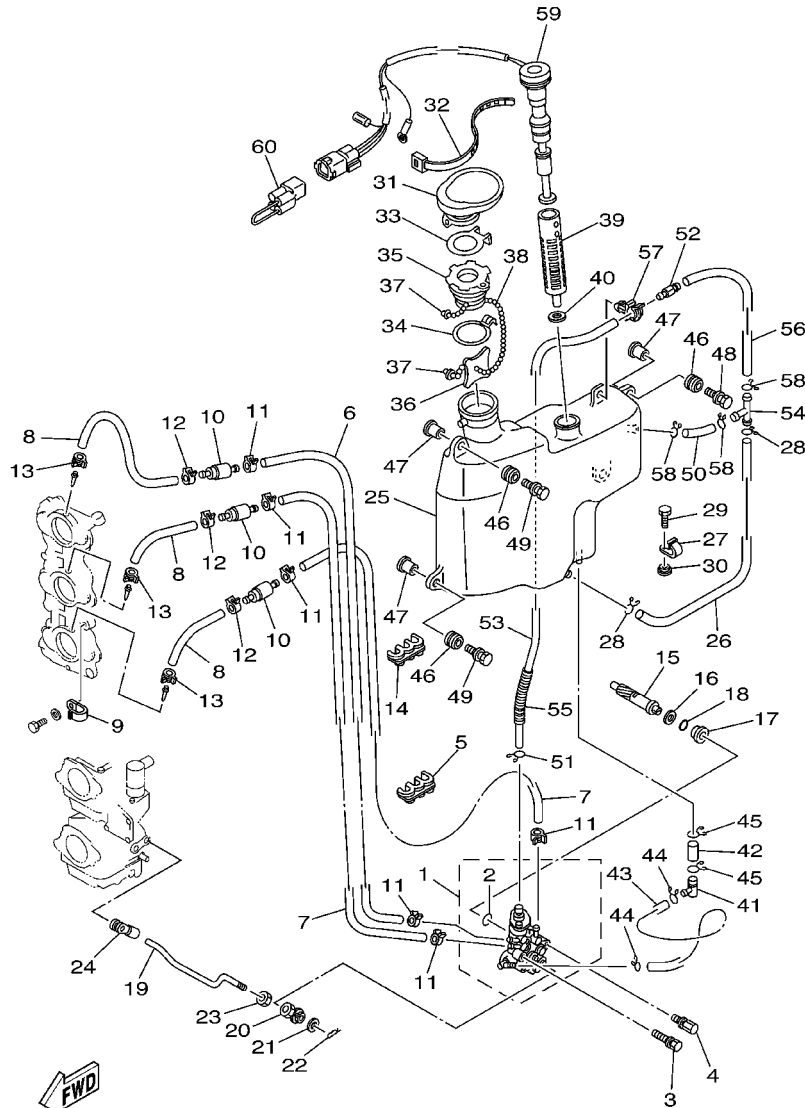


6H32010-3060

REF. NO.	PART NO. NO. PIECES	DESCRIPTION DESCRIPTION	60F	70B	50G	REMARKS REMARQUES
27	90465-11M27	CLAMP BRIDE	1	1	1	
28	90467-11M08	CLIP JONC	2	2	2	
29	97095-06016	BOLT BOULON	1	1	1	
30	90387-06M31	COLLAR COLLERETTE	1	1	1	
31	6H3-21752-00	TUBE, FILLER 1 DURITE	1	1	1	
32	90465-13M30	CLAMP BRIDE	1	1	1	
33	63D-2176M-00	HOOK CROCHET	1	1	1	
34	63D-2175R-00	HOOK, BAND CROCHET, BANDE	1	1	1	
35	6H4-21770-00	OIL TANK CAP ASSY CABOCHON DE RESERVOIR A HUILE	1	1	1	
36	6J8-21758-00	WASHER, SPECIAL 2 RONDELLE, SPECIALE 2	1	1	1	
37	6H1-21757-00	WASHER, SPECIAL 1 RONDELLE, SPECIALE 1	2	2	2	
38	6H1-24633-00	CHAIN, BALL CHANE DE BALLE	1	1	1	
39	6J8-13411-00	STRAINER, OIL FILTRE, HUILE	1	1	1	
40	6J8-13414-00	GASKET, STRAINER COVER JOINT, COUVERCLE DE FILTRE	1	1	1	
41	6H1-13435-00	NIPPLE RACCORD	1	1	1	
42	90445-08M01	HOSE (L30) DURITE (L30)	1	1	1	
43	6H1-21766-01	PIPE, OIL DURITE A HUILE	1	1	1	
44	90467-08004	CLIP JONC	2	2	2	
45	90467-12M11	CLIP JONC	2	2	2	
46	6A0-82317-00	DAMPER, IGNITION COIL AMORTISSEUR, BOBINE D'ALLUM	4	4	4	
47	624-42542-00	PIPE TUYAU	4	4	4	
48	90119-06M65	BOLT, WITH WASHER BOULON, AVEC RONDELLE	2	2	2	
49	90119-06M88	BOLT, WITH WASHER BOULON, AVEC RONDELLE	2	2	2	
50	90445-11M21	HOSE (L40) DURITE (L40)	1	1	1	
51	90467-10M04	CLIP JONC	1	1	1	
52	6J8-21744-00	BREATHER RENIFLARD	1	1	1	
53	90445-11M15	HOSE (L360) DURITE (L360)	1	1	1	

FIG. 6 OIL PUMP

POMPE A HUILE

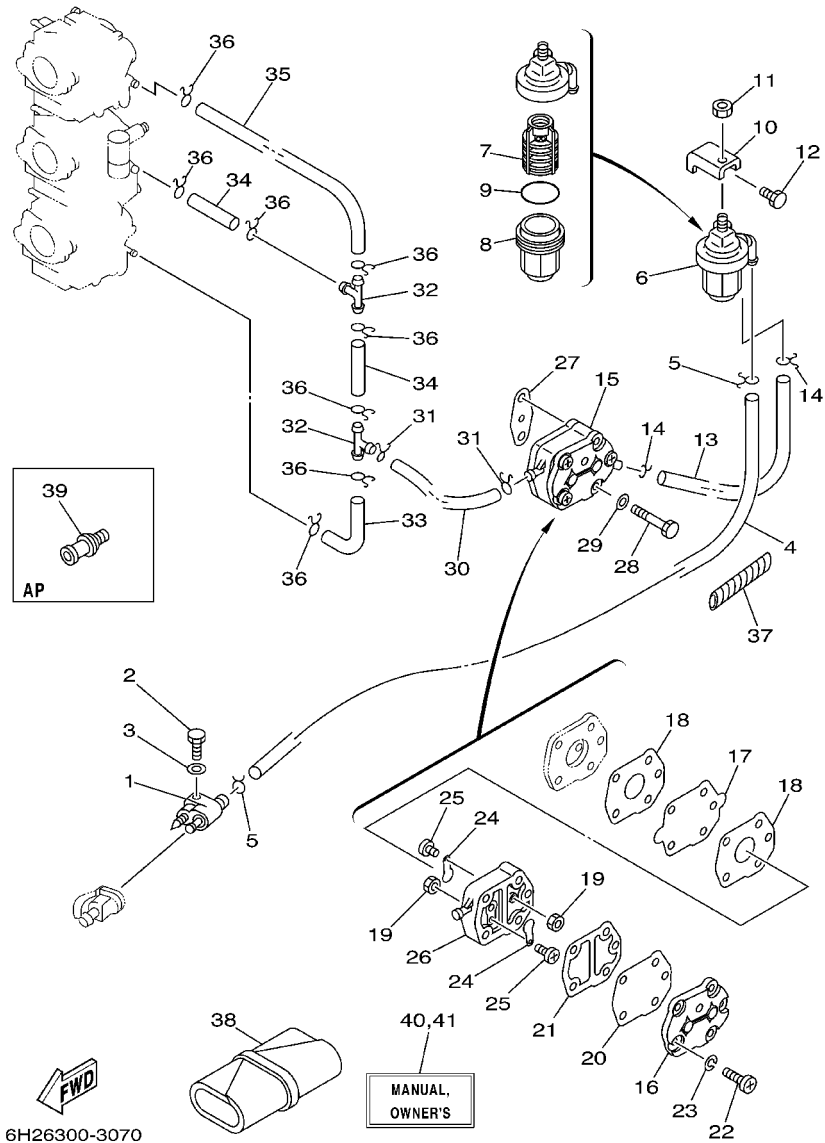


6H32010-3060

REF. NO.	PART NO. NO. PIECES	DESCRIPTION DESCRIPTION	60F	70B	50G	REMARKS REMARQUES
54	6E5-24378-00	PIPE, JOINT 3 DURITE, RACCORDEMENT 3	1	1	1	
55	90446-10M01	HOSE DURITE	1	1	1	
56	90445-11M02	HOSE (L100) DURITE (L100)	1	1	1	
57	90464-11M23	CLAMP BRIDE	1	1	1	
58	90467-11M08	CLIP JONC	3	3	3	
59	6H3-85720-16	OIL LEVEL GAUGE ASSY JAUGE A HUILE CPLT	1	1	1	
60	6R5-82582-B0	COVER, WIRE HARNESS COUVERCLE, FAISCEAU DE FILS	1	1	1	AP

FIG. 7 FUEL

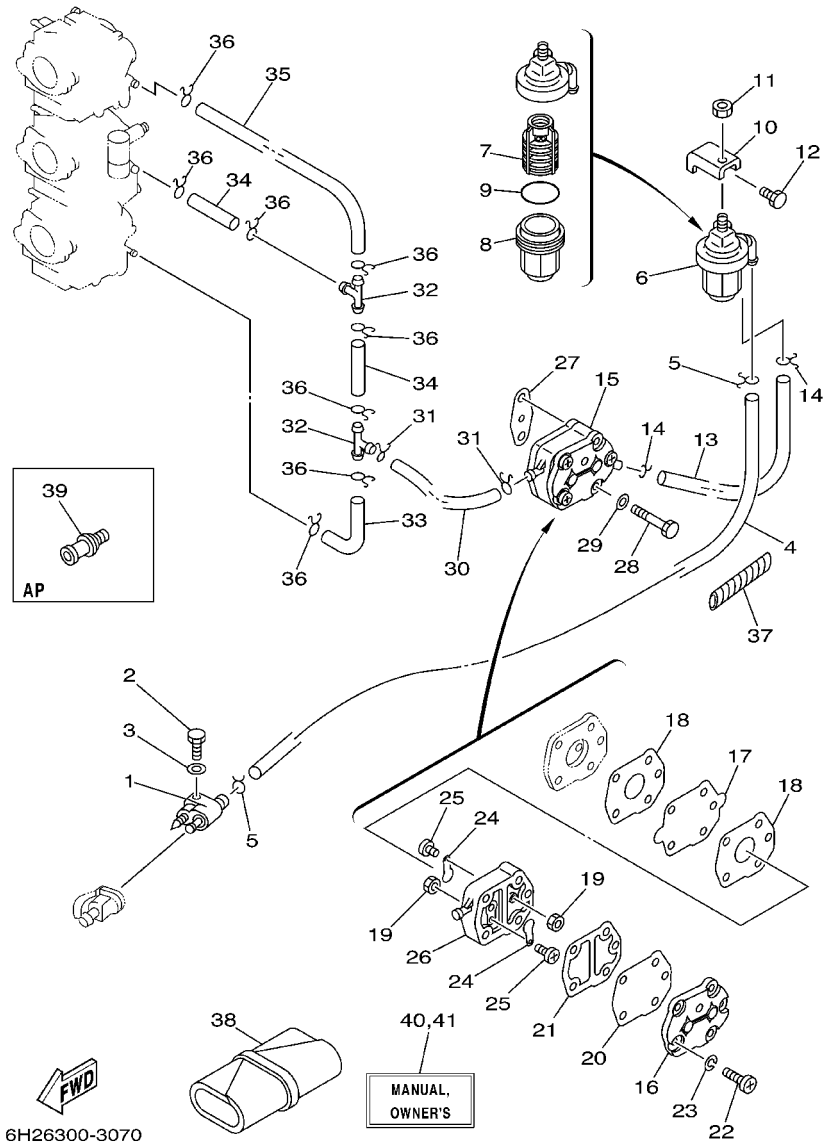
CARBURANT



REF. NO.	PART NO. NO. PIECES	DESCRIPTION DESCRIPTION	60F	70B	50G	REMARKS REMARQUES
1	6G1-24304-02	FUEL PIPE JOINT COMP. 1 DURITE RACCORDEMT. A ESSENCE	1	1	1	
2	97095-06025	BOLT BOULON	1	1	1	
3	92995-06600	WASHER RONDELLE	1	1	1	
4	90445-09M75	HOSE (L370) DURITE (L370)	1	1	1	
5	90467-08004	CLIP JONC	2	2	2	
6	61N-24560-00	FILTER ASSY ENS FILTRE	1	1	1	
7	61N-24563-00	.ELEMENT, FILTER .ELEMENT, FILTRE	1	1	1	
8	61N-24521-00	.CUP, FILTER .CUVETTE, FILTRE	1	1	1	
9	93210-32738	.O-RING .JOINT TORIQUE	1	1	1	
10	648-24566-02	BRACKET, FILTER SUPPORT, FILTRE	1	1	1	
11	95380-08600	NUT ECROU	1	1	1	
12	97013-06014	BOLT BOULON	1	1	1	
13	90445-09072	HOSE (L120) DURITE (L120)	1	1	1	
14	90467-08004	CLIP JONC	2	2	2	
15	692-24410-00	FUEL PUMP ASSY POMPE A ESSENCE	1	1	1	
16	6A0-24413-00	.BODY 2 .CORPS 2	1	1	1	
17	692-24411-00	.DIAPHRAGM .DIAPHRAGME	1	1	1	
18	648-24434-01	.GASKET, BODY .JOINT, CORPS	2	2	2	
19	95380-03600	.NUT ECROU	2	2	2	
20	663-24411-00	.DIAPHRAGM .DIAPHRAGME	1	1	1	
21	648-24435-02	.GASKET, BODY 2 .JOINT, CORPS 2	1	1	1	
22	98503-05028	.SCREW, PAN HEAD .VIS	3	3	3	
23	92990-05100	.WASHER, SPRING .RONDELLE, GROWER	3	3	3	
24	6A0-24421-01	.VALVE, CHECK .SOUPAPE, RETENUE	2	2	2	
25	6A0-14325-00	.SCREW, PAN HEAD .VIS TETE CONIQUE	2	2	2	
26	6A0-24412-02	.BODY 1 .CORPS 1	1	1	1	
27	650-24431-A0	GASKET, FUEL PUMP 1 JOINT 1 DE POMPE A ESSENCE	1	1	1	

FIG. 7 FUEL

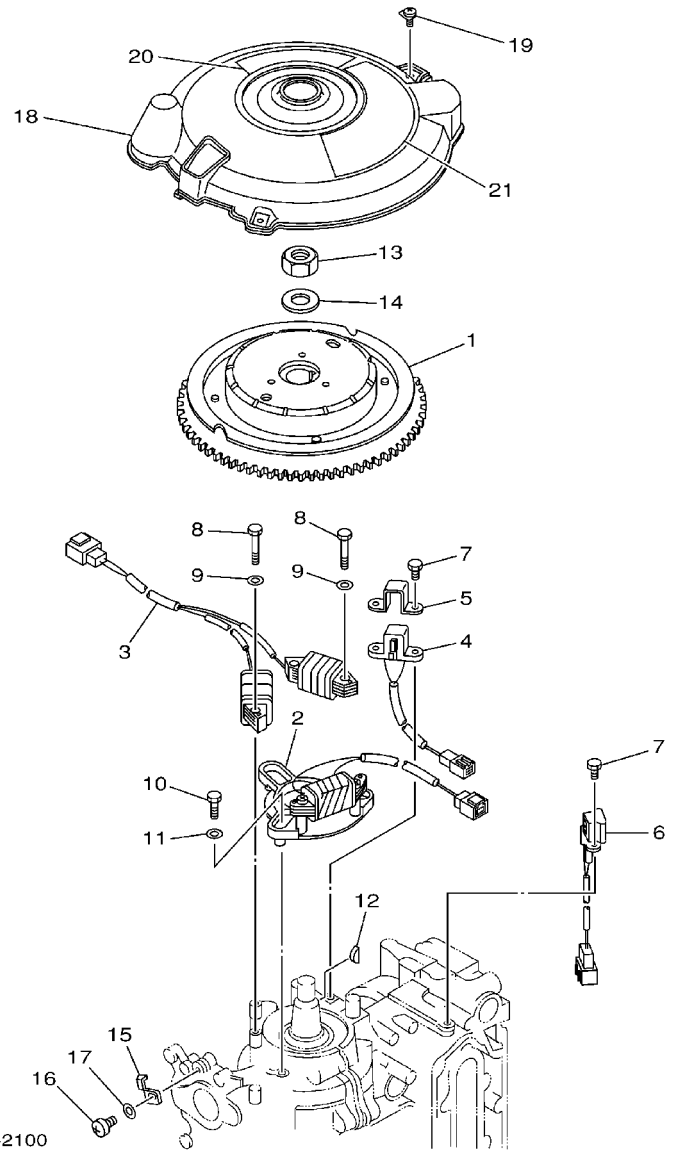
CARBURANT



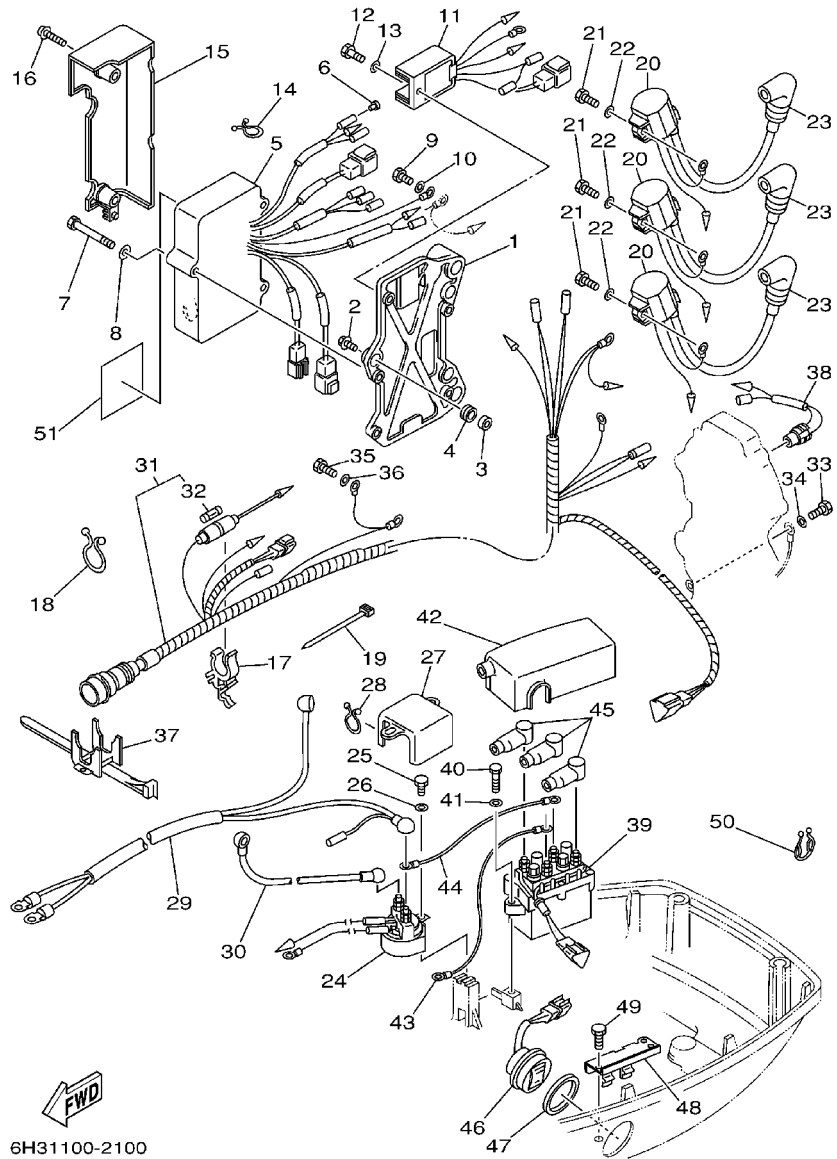
REF. NO.	PART NO. NO. PIECES	DESCRIPTION DESCRIPTION	60F	70B	50G	REMARKS REMARQUES
28	97095-06040	BOLT BOULON	2	2	2	
29	92995-06600	WASHER RONDELLE	2	2	2	
30	90445-09072	HOSE (L120) DURITE (L120)	1	1	1	
31	90467-08004	CLIP JONC	2	2	2	
32	688-24378-00	PIPE, JOINT 4 DURITE RACCORDEMENT 4	2	2	2	
33	6H3-24313-00	PIPE 3 DURITE 3	1	1	1	
34	90445-09220	HOSE DURITE	2	2	2	
35	6H3-24314-00	PIPE 4 DURITE 4	1	1	1	
36	90467-08004	CLIP JONC	8	8	8	
37	90446-10M01	HOSE DURITE	1	1	1	
38	656-W2810-02	TOOL KIT TROUSSE A OUTILS	1	1	1	
39	6E0-28193-00-94	PLUG, WATER CHECK BOUCHON, CONTROLE D'EAU	1	1	1	AP D:12.5MM
40	6H2-28199-7P-A0	MANUAL, OWNER'S MANUEL D'UTILISATION	1	1	1	UR (E,F,S)
	6H2-28199-7P-B0	MANUAL, OWNER'S MANUEL D'UTILISATION	1	1	1	UR (D,NL,I)
41	6H2-28199-8P-A0	MANUAL, OWNER'S MANUEL D'UTILISATION	1	1	1	UR (DK,P,GR)
	6H2-28199-8P-B0	MANUAL, OWNER'S MANUEL D'UTILISATION	1	1	1	UR (N,S,SS)

FIG. 8 GENERATOR

GENERATRICE



REF. NO.	PART NO. NO. PIECES	DESCRIPTION DESCRIPTION	60F	70B	50G	REMARKS REMARQUES
1	6H2-85550-00	ROTOR ASSY ROTOR CPLT	1	1	1	
2	6H2-85520-01	COIL, CHARGE BOBINE, CHARGE	1	1	1	
3	6H2-85533-01	COIL, LIGHTING BOBINE, ECLAIRAGE	1	1	1	
4	6H2-85580-01	COIL, PULSER BOBINE, PULSEUR	1	1	1	
5	6H2-85582-00	ATTACHMENT, PULSER SUPPORT, PULSEUR	1	1	1	
6	6H2-85895-01	CRANK POSITION SENDER SONDE, REGLAGE DE VILEBREQUIN	1	1	1	
7	97095-05012	BOLT BOULON	4	4	4	
8	97095-06035	BOLT BOULON	4	4	4	
9	92995-06600	WASHER RONDELLE	4	4	4	
10	97095-06025	BOLT BOULON	3	3	3	
11	92995-06600	WASHER RONDELLE	3	3	3	
12	90280-05015	KEY, WOODRUFF CLAVETTE, DEMI-LUNE	1	1	1	
13	90170-20137	NUT ECROU	1	1	1	
14	90201-21M18	WASHER, PLATE RONDELLE, PLATE	1	1	1	
15	6E5-81332-00	PLATE, TIMING PLATEAU, ALLUMAGE	1	1	1	
16	97885-06010	SCREW, PAN HEAD VIS, A ENCOCHE	1	1	1	
17	92995-06600	WASHER RONDELLE	1	1	1	
18	6H3-81337-01	COVER, FLYWHEEL COUVERCLE, VOLANT	1	1	1	
19	90159-06M23	SCREW, WITH WASHER VIS, AVEC RONDELLE	3	3	3	
20	6H3-14488-00	LABEL, CAUTION ETIQUETTE, RECOMMANDATION	1	1	1	
21	6H3-13437-21	MARK, CAUTION MAKER	1	1	1	

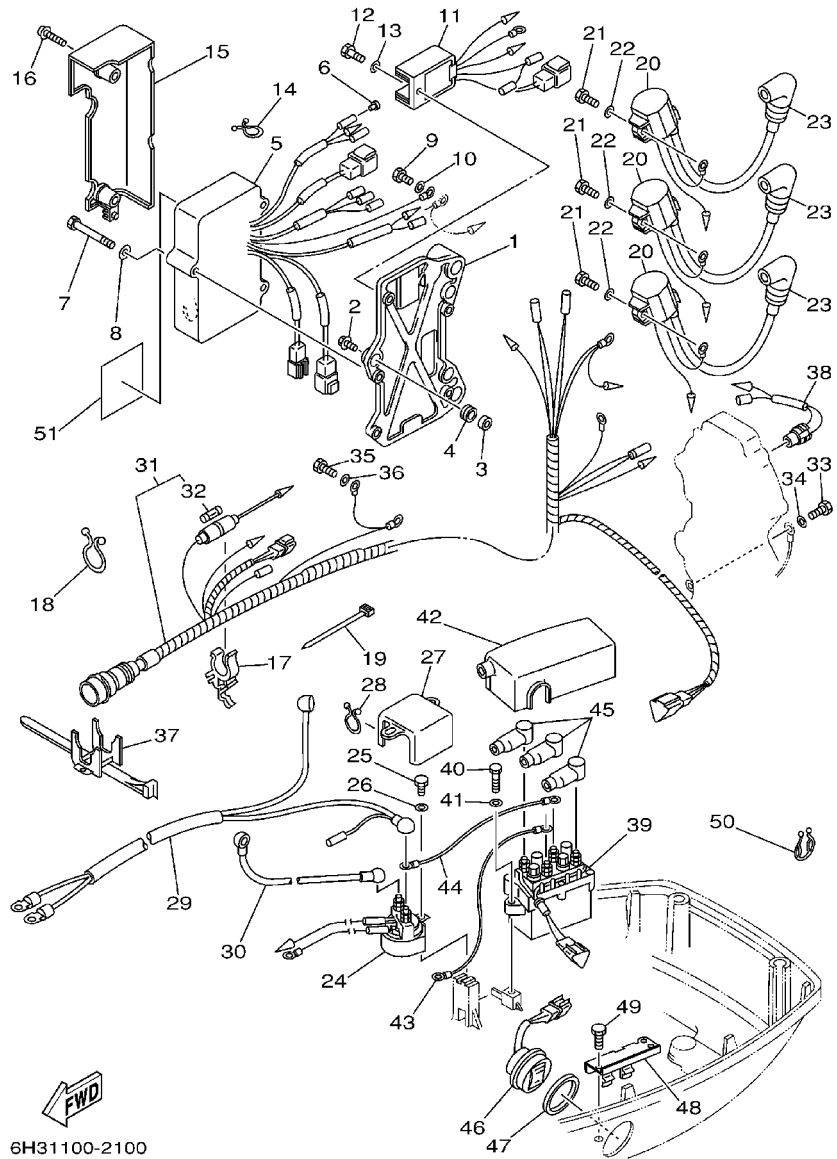


6H31100-2100

FIG. 9 ELECTRICAL

ELECTRIQUE

REF. NO.	PART NO. NO. PIECES	DESCRIPTION DESCRIPTION	60F	70B	50G	REMARKS REMARQUES
1	6H3-85542-11-94	BRACKET SUPPORT	1	1	1	
2	90105-06M14	BOLT FLANGE BOULON	3	3	3	
3	90387-06M43	COLLAR COLLERETTE	3	3	3	
4	90480-13M54	GROMMET PASSE-FIL	3	3	3	
5	6H2-85540-12	C.D.I. UNIT ASSY BLOC C.D.I.	1	1	1	
6	703-82119-00	COVER, LEAD WIRE GARNITURE, FIL	1	1	1	
7	97095-06045	BOLT BOULON	3	3	3	
8	92995-06600	WASHER RONDELLE	3	3	3	
9	97013-06012	BOLT BOULON	1	1	1	
10	92903-06600	WASHER, PLATE RONDELLE, PLATE	1	1	1	
11	6H2-81960-10	RECTIFIER & REGULATOR ASSY REDRESSEUR REGULATEUR CPLT	1	1	1	
12	97095-06016	BOLT BOULON	1	1	1	
13	92995-06600	WASHER RONDELLE	1	1	1	
14	90464-05M16	CLAMP BRIDE	1	1	1	
15	6H3-81916-10	COVER, TERMINAL COUVERCLE, BORNE	1	1	1	
16	90159-06M01	SCREW, WITH WASHER VIS, AVEC RONDELLE	2	2	2	
17	6G5-82152-00	HOLDER, FUSE SUPPORT, FUSIBLE	1	1	1	
18	90464-23M22	CLAMP BRIDE	1	1	1	
19	90465-13M11	CLAMP BRIDE	1	1	1	
20	697-85570-00	IGNITION COIL ASSY BOBINE D'ALLUMAGE (ENS.)	3	3	3	
21	97013-06020	BOLT BOULON	3	3	3	
22	92903-06600	WASHER, PLATE RONDELLE, PLATE	3	3	3	
23	6G1-82370-21	PLUG CAP ASSY ANTIPARASITE	3	3	3	
24	688-81950-10	RELAY ASSY RELAIS COMPLET	1	1	1	
25	97013-06016	BOLT BOULON	1	1	1	
26	92903-06600	WASHER, PLATE RONDELLE, PLATE	1	1	1	
27	6H3-82164-00	CASE 2 COUSSINET	1	1	1	



6H31100-2100

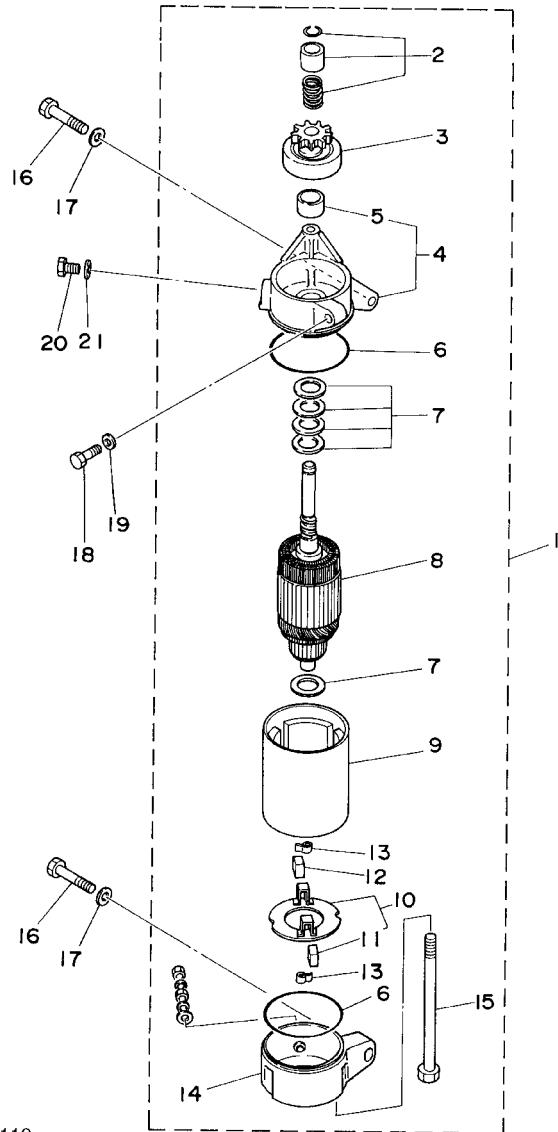
FIG. 9 ELECTRICAL

ELECTRIQUE

REF. NO.	PART NO. NO. PIECES	DESCRIPTION DESCRIPTION	60F	70B	50G	REMARKS REMARQUES
28	90464-15M11	CLAMP BRIDE	1	1	1	
29	6H3-82105-01	WIRE HARNESS FAISCEAU DE FILS	1	1	1	
30	6H3-82117-00	WIRE, LEAD FIL	1	1	1	
31	6H2-82590-13	WIRE HARNESS ASSY FAISCEAU DE FILS COMPLET	1	1	1	
32	663-82151-00	.FUSE (12V-20A) .FUSIBLE (12V-20A)	1	1	1	
33	97013-06012	BOLT BOULON	1	1	1	
34	92903-06600	WASHER, PLATE RONDELLE, PLATE	1	1	1	
35	97013-06012	BOLT BOULON	2	2	2	
36	92903-06600	WASHER, PLATE RONDELLE, PLATE	2	2	2	
37	688-82594-00	CLAMP BRIDE	1	1	1	
38	688-82560-10	THERMO SWITCH ASSY THERMO-CONTACT COMPLET	1	1	1	
39	61A-81950-00	RELAY ASSY RELAIS COMPLET	1	1	1	
40	97095-06025	BOLT BOULON	2	2	2	
41	92995-06600	WASHER RONDELLE	2	2	2	
42	6H3-82154-11	CASE CAISSE	1	1	1	
43	6H2-81949-11	WIRE, LEAD FIL	1	1	1	
44	6H2-81949-01	WIRE, LEAD FIL	1	1	1	
45	682-82119-01	COVER, LEAD WIRE GARNITURE, FIL	3	3	3	
46	6H1-82563-10	TRIM & TILT SWITCH ASSY INCLINER ET PARER COMMUTATEUR	1	1	1	
47	6E5-82587-00	GASKET JOINT	1	1	1	
48	6E5-83614-01	BRACKET SUPPORT	1	1	1	
49	97095-06016	BOLT BOULON	1	1	1	
50	90464-18M14	CLAMP BRIDE	1	1	1	
51	6R5-85711-60	MARK, CAUTION MAKER	1	1	1	

FIG. 10 STARTING MOTOR

DEMARREUR ELECTRIQUE

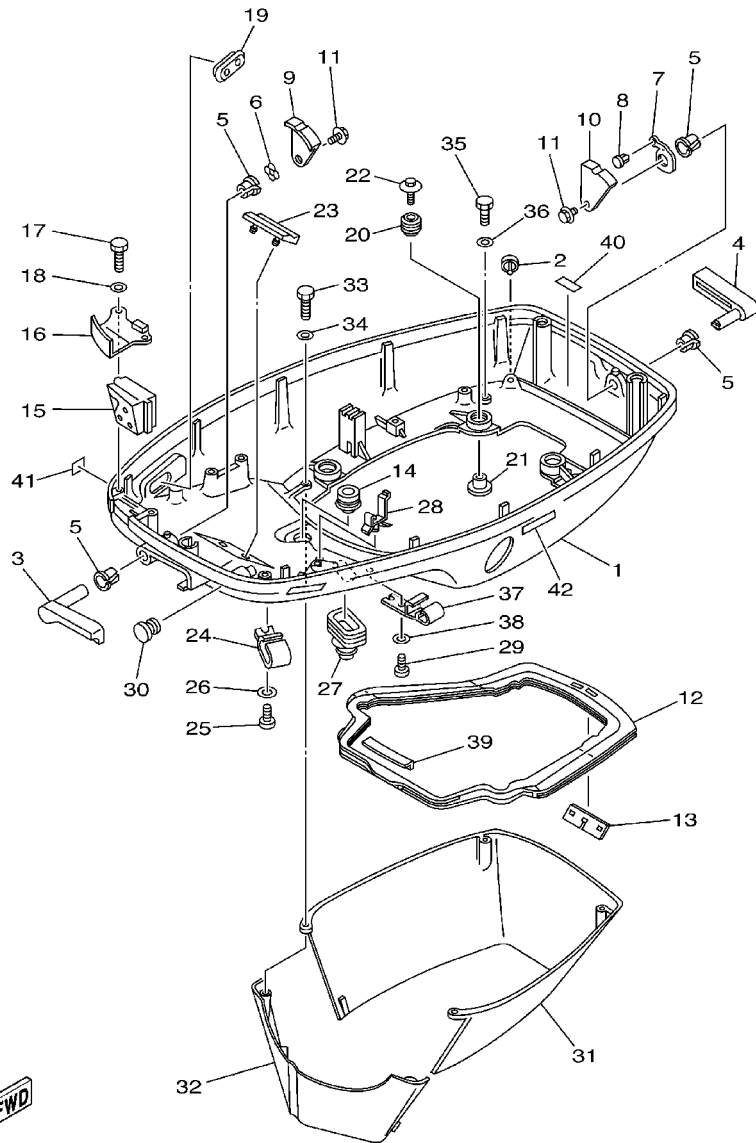


6H30010-4110

REF. NO.	PART NO. NO. PIECES	DESCRIPTION DESCRIPTION	60F	70B	50G	REMARKS REMARQUES
1	6H3-81800-11	STARTING MOTOR ASSY DEMARREUR ELECTRIQUE COMPLET	1	1	1	
2	689-81857-11	.PINION STOPPER SET .BUTEE PIGNON	1	1	1	
3	6H3-81807-10	.GEAR ASSY, STARTING MOTOR .PIGNON, DEMARREUR ELECTRIQUE	1	1	1	
4	6H3-81830-10	.FRONT BRACKET ASSY .SUPPORT AVANT	1	1	1	
5	689-81831-00	..METAL, FRONT ..METAL, AVANT	1	1	1	
6	689-81847-11	.O-RING .JOINT TORIQUE	2	2	2	
7	689-81809-11	.WASHER KIT .JEU DE RONDELLES	1	1	1	
8	689-81850-12	.ARMATURE ASSY .INDUIT	1	1	1	
9	6H3-81810-10	.STATOR ASSY .STATOR COMPLET	1	1	1	
10	689-81840-11	.BRUSH HOLDER ASSY .SUPPORT DE CHARBON	1	1	1	
11	689-81812-11	..BRUSH 2 ..CHARBON 2	1	1	1	
12	689-81811-11	.BRUSH 1 .CHARBON 1	1	1	1	
13	689-81813-10	.SPRING, BRUSH .RESSORT, DE CHARBON	2	2	2	
14	6H3-81820-11	.REAR BRACKET ASSY .SUPPORT ARRIERE COMPLET	1	1	1	
15	689-81826-10	.BOLT BOULON	2	2	2	
16	97013-08035	BOLT BOULON	2	2	2	
17	92903-08600	WASHER, PLATE RONDELLE, PLATE	2	2	2	
18	97013-06025	BOLT BOULON	1	1	1	
19	92903-06600	WASHER, PLATE RONDELLE, PLATE	1	1	1	
20	97013-08016	BOLT BOULON	1	1	1	
21	92903-08600	WASHER, PLATE RONDELLE, PLATE	1	1	1	

FIG. 11 BOTTOM COWLING

CAPOT INFERIEUR

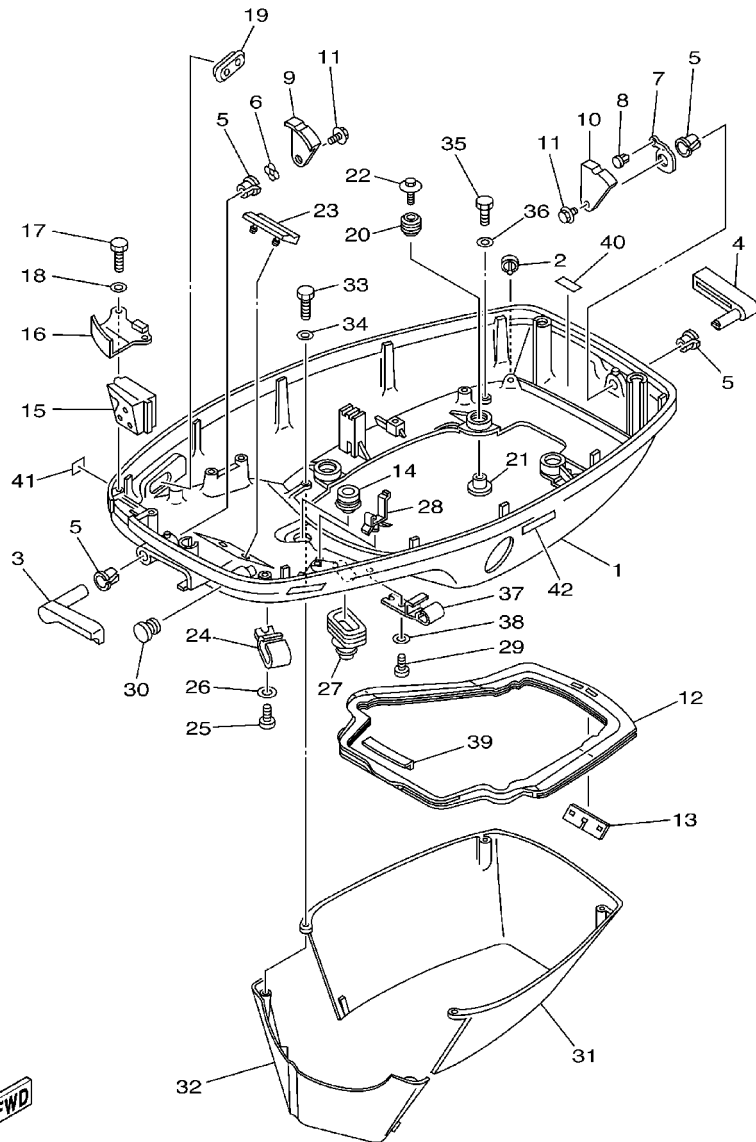


6H23300-2110

REF. NO.	PART NO. NO. PIECES	DESCRIPTION DESCRIPTION	60F	70B	50G	REMARKS REMARQUES
1	6H3-42711-24-4D	COWLING, BOTTOM CUVETTE	1	1	1	
2	6H3-44391-01	NIPPLE, HOSE RACCORD D'ESSENCE	1	1	1	
3	6H3-42815-01-4D	LEVER, CLAMP LEVIER, PRESSE	1	1	1	
4	6H3-42817-01-4D	LEVER, CLAMP LEVIER, PRESSE	1	1	1	
5	90386-13M38	BUSH DQUILLE	4	4	4	
6	90206-13M10	WASHER, WAVE RONDELLE, ONDULEE	1	1	1	
7	6H3-42813-00	SPRING, CLAMP LEVER RESSORT	1	1	1	
8	90269-04M03	RIVET RIVET	1	1	1	
9	6H3-42816-00	LEVER, CLAMP LEVIER, PRESSE	1	1	1	
10	6H3-42818-00	LEVER, CLAMP LEVIER, PRESSE	1	1	1	
11	90119-06M09	BOLT, WITH WASHER BOULON, AVEC RONDELLE	2	2	2	
12	6H3-42716-02	RUBBER, SEAL 1 JOINT EN CAOUTCHOUC 1	1	1	1	
13	6K5-42717-00	RUBBER, SEAL 2 JOINT EN CAOUTCHOUC 2	1	1	1	
14	6E5-42724-00	GROMMET PASSE-FIL	1	1	1	UR
15	6H3-42725-30	GROMMET PASSE-FIL	1	1	1	UR
	6H3-42725-10	GROMMET PASSE-FIL	1			UR
16	6H3-42738-01-5B	PLATE, FITTING ETRIER	1	1	1	
17	97095-06016	BOLT BOULON	2	2	2	
18	92995-06600	WASHER RONDELLE	2	2	2	
19	6H3-42727-00	GROMMET PASSE-FIL	1	1	1	
20	90480-09M12	GROMMET PASSE-FIL	4	4	4	
21	90387-06M69	COLLAR COLLERETTE	4	4	4	
22	90119-06M61	BOLT, WITH WASHER BOULON, AVEC RONDELLE	4	4	4	
23	6H3-42768-00	DAMPER AMORTISSEUR	1	1	1	
24	6E5-24367-01	CLAMP, FUEL PIPE 2 COLLIER DE DURITE A ESSENCE	1	1	1	
25	90157-06M01	SCREW, PAN HEAD VIS, TETE TRONCONIQUE	1	1	1	
26	92990-06600	WASHER, PLATE RONDELLE, PLATE	1	1	1	

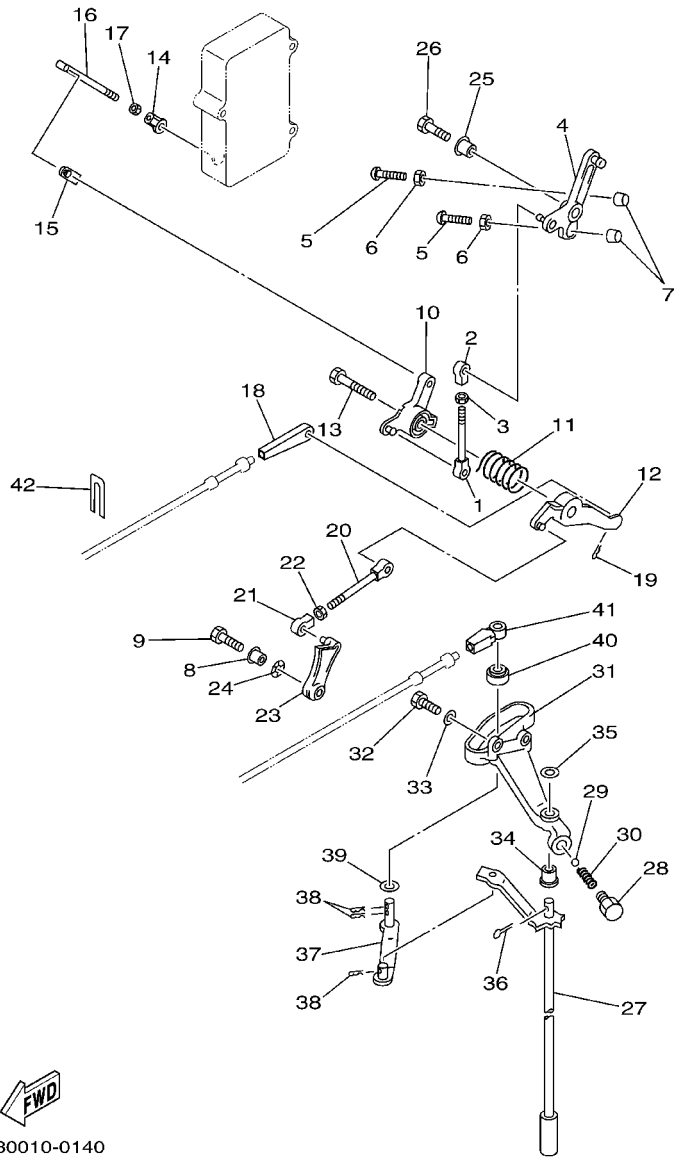
FIG. 11 BOTTOM COWLING

CAPOT INFERIEUR



6H23300-2110

REF. NO.	PART NO. NO. PIECES	DESCRIPTION DESCRIPTION	60F	70B	50G	REMARKS REMARQUES
27	688-42726-10	GROMMET PASSE-FIL	1	1	1	
28	90464-09M13	CLAMP BRIDE	1	1	1	
29	90157-06M01	SCREW, PAN HEAD VIS, TETE TRONCONIQUE	1	1	1	
30	6G1-42748-00	GROMMET PASSE-FIL	1	1	1	
31	6H3-42741-01-4D	APRON CAPOT LATERAL	1	1	1	
32	6H3-42771-01-4D	APRON CAPOT LATERAL	1	1	1	
33	97095-06025	BOLT BOULON	2	2	2	
34	92995-06600	WASHER RONDELLE	2	2	2	
35	97095-06020	BOLT BOULON	2	2	2	
36	92995-06600	WASHER RONDELLE	2	2	2	
37	6E5-24367-01	CLAMP, FUEL PIPE 2 COLLIER DE DURITE A ESSENCE	1	1	1	
38	92990-06600	WASHER, PLATE RONDELLE, PLATE	1	1	1	
39	6H3-42718-00	RUBBER, SEAL 3 JOINT	1	1	1	
40	6G5-42791-10	MARK 1 ETIQUETTE 1	1	1	1	
41	6A1-28176-00	LABEL, CAUTION ETIQUETTE, RECOMMANDATION	1	1	1	
42	6E3-8257H-00	PLATE, MARK PLAQUE, ADHESIF	1	1	1	



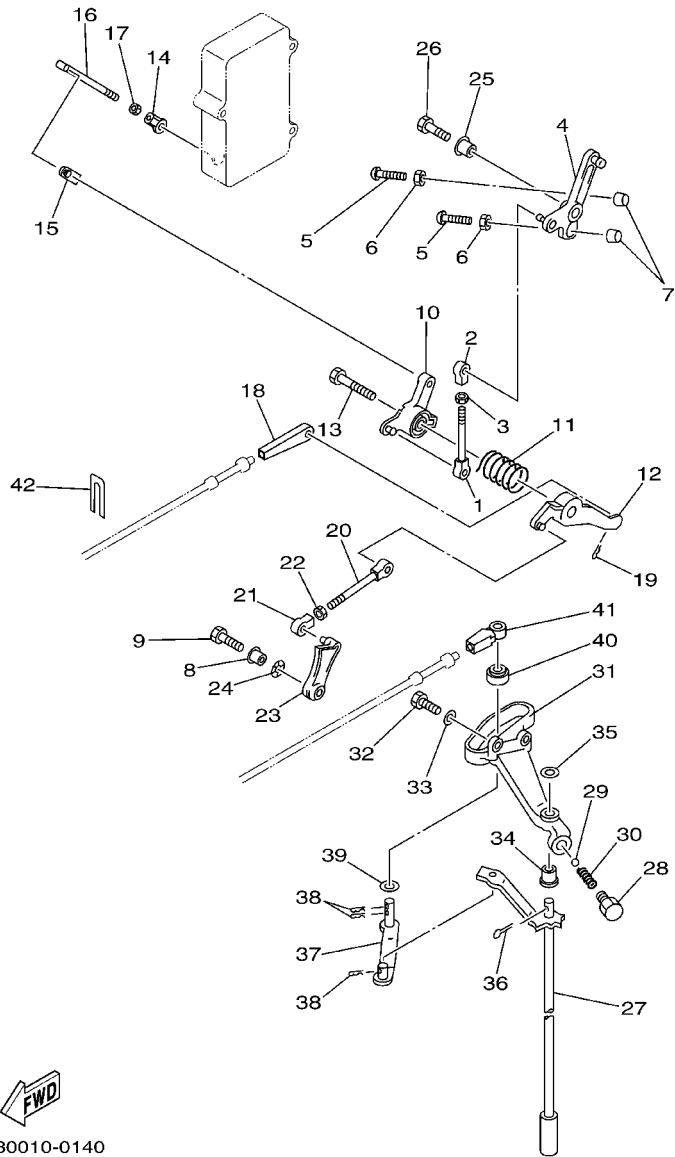
6H30010-0140

FIG. 12 CONTROL

COMMANDE

REF. NO.	PART NO. NO. PIECES	DESCRIPTION DESCRIPTION	60F	70B	50G	REMARKS REMARQUES
1	689-42169-01	JOINT AXE	1	1	1	
2	682-41237-00	JOINT, LINK RACCORD	1	1	1	
3	95380-05600	NUT ECROU	1	1	1	
4	6H3-41631-00	LEVER, MAGNETO CONTROL LEVIER, COMMANDE D'AVANCE	1	1	1	
5	90157-06M13	SCREW, PAN HEAD VIS, TETE TRONCONIQUE	2	2	2	
6	95380-06600	NUT, HEXAGON ECROU	2	2	2	
7	688-44194-00	CAP CAPUCHON	2	2	2	
8	90387-06M60	COLLAR COLLERETTE	1	1	1	
9	97095-06025	BOLT BOULON	1	1	1	
10	6H3-41632-20	LEVER, MAGNETO CONTROL LEVIER, COMMANDE D'AVANCE	1	1	1	
11	90508-26M35	SPRING, TORSION RESSORT, TORSION	1	1	1	
12	6H3-41633-10	LEVER, MAGNETO CONTROL LEVIER, COMMANDE D'AVANCE	1	1	1	
13	90109-06M43	BOLT BOULON	1	1	1	
14	6H1-41237-00	JOINT, LINK RACCORD	1	1	1	
15	6F5-41237-00	JOINT, LINK RACCORD	1	1	1	
16	6H3-41636-10-94	ROD, MAGNETO CONTROL BIELLETTE, COMMANDE D'AVANCE	1	1	1	
17	95380-05600	NUT ECROU	1	1	1	
18	6H3-48344-00	CABLE END, REMOTE CONTROL CHAPE CABLE	1	1	1	
19	90468-18008	CLIP JONC	1	1	1	
20	689-42169-01	JOINT AXE	1	1	1	
21	6H4-41237-00	JOINT, LINK RACCORD	1	1	1	
22	95380-05600	NUT ECROU	1	1	1	
23	6H3-41213-10	CAM, ACCEL. CAME, ACCELERATION	1	1	1	
24	90206-10M04	WASHER, WAVE RONDELLE, ONDULEE	1	1	1	
25	90387-06M60	COLLAR COLLERETTE	1	1	1	
26	97095-06025	BOLT BOULON	1	1	1	
27	6H3-44120-12	HANDLE GEAR SHIFT ASSY LEVIER D'EMBRAYAGE	1	1	1	L

D4



6H30010-0140

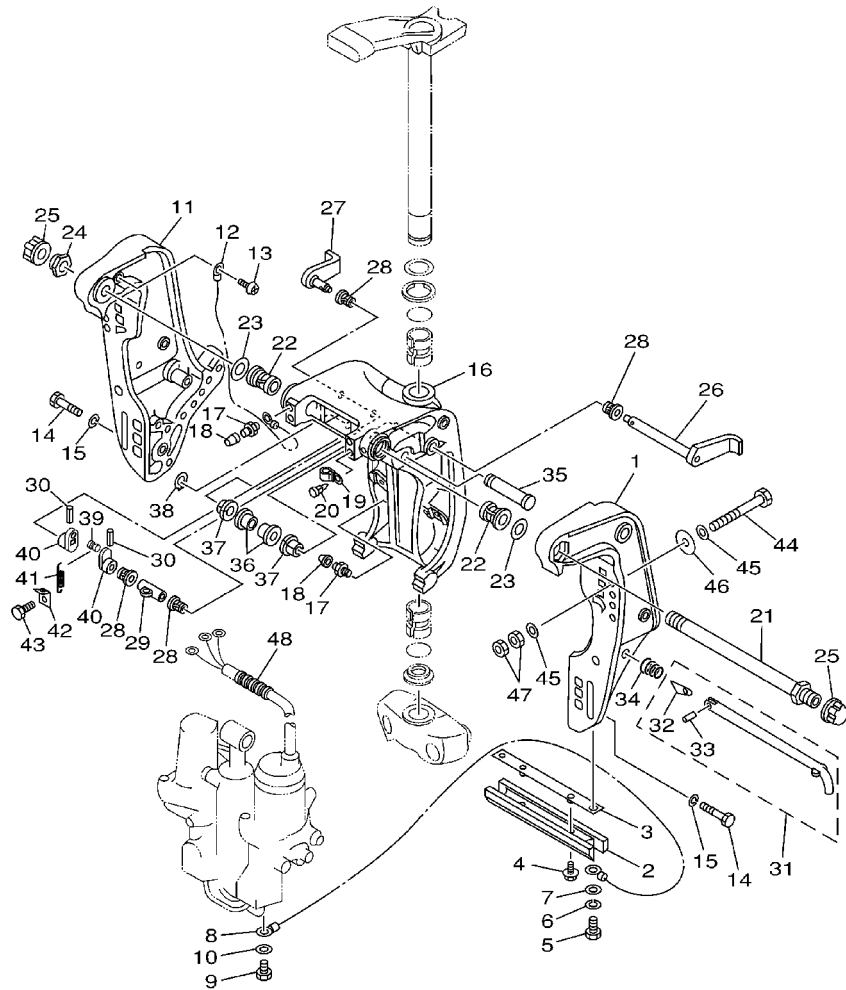
FIG. 12 CONTROL

COMMANDE

REF. NO.	PART NO. NO. PIECES	DESCRIPTION DESCRIPTION	60F	70B	50G	REMARKS REMARQUES
28	648-42715-00	BUSHING COUSSINET	1	1	1	
29	93501-04M02	BALL BILLE	1	1	1	
30	90501-12082	SPRING, COMPRESSION RESSORT, COMPRESSION	1	1	1	
31	6H3-44117-00-94	BRACKET SUPPORT	1	1		
	6J2-44117-01-94	BRACKET SUPPORT			1	
32	97013-06020	BOLT BOULON	2	2	2	
33	92903-06600	WASHER, PLATE RONDELLE, PLATE	2	2	2	
34	90386-07M58	BUSH DOUILLE	1	1	1	
35	92990-08200	WASHER, PLAIN RONDELLE, PLATE	1	1	1	
36	91490-20012	PIN, COTTER GOUILLE	1	1	1	
37	6H3-44121-01	LEVER, SHIFT ROD LEVIER, TIGE D'INVERSION	1	1	1	
38	90468-18008	CLIP JONC	3	3	3	
39	90202-07M07	WASHER, PLATE RONDELLE, PLATE	1	1	1	
40	688-44122-00	BUSHING, SHIFT ROD LEVER DOUILLE, LEVIER D'EMBRAYAGE	1	1	1	
41	663-48344-00	CABLE END, REMOTE CONTROL CHAPE CABLE	1	1	1	
42	6H3-48538-00	CLAMP, CABLE 1 COLLIER	1	1	1	

FIG. 13 BRACKET 1

SUPPORT 1

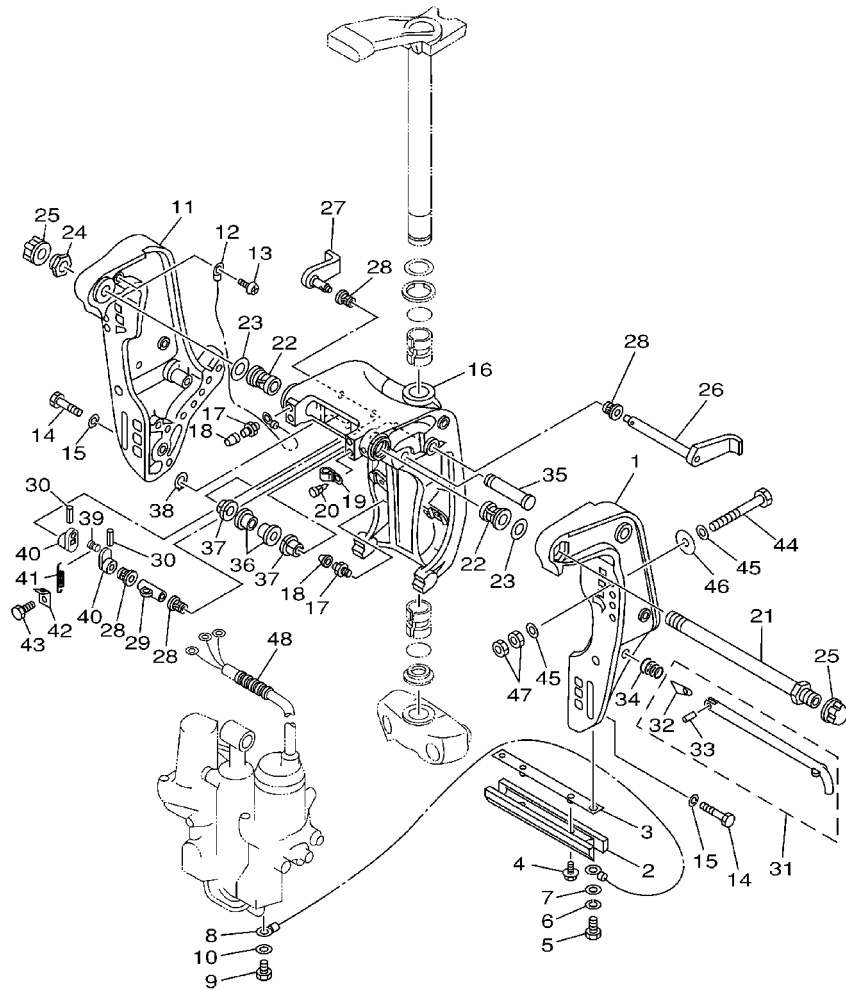


6H30010-9151

REF. NO.	PART NO. NO. PIECES	DESCRIPTION DESCRIPTION	60F	70B	50G	REMARKS REMARQUES
1	6H1-43111-01-4D	BRACKET, CLAMP PRESSE	1	1	1	
2	6H1-45251-03	ANODE ANODE	1	1	1	
3	6H1-44526-00	PLATE PLAQUE	1	1	1	
4	90119-06M29	BOLT, WITH WASHER BOULON, AVEC RONDELLE	2	2	2	
5	97095-06016	BOLT BOULON	2	2	2	
6	92995-06100	WASHER, SPRING RONDELLE, GROWER	2	2	2	
7	92995-06600	WASHER RONDELLE	2	2	2	
8	6H1-82148-00	WIRE, LEAD 4 FIL 4	1	1	1	
9	97095-06010	BOLT BOULON	1	1	1	
10	92995-06600	WASHER RONDELLE	1	1	1	
11	6H1-43112-00-4D	BRACKET, CLAMP PRESSE	1	1	1	
12	6E5-82148-00	WIRE, LEAD 4 FIL 4	1	1	1	
13	97880-06012	SCREW, PAN HEAD VIS, TETE TRONCONIQUE	1	1	1	
14	97095-10045	BOLT BOULON	6	6	6	
15	92995-10100	WASHER RONDELLE	6	6	6	
16	6H1-43311-01-4D	BRACKET, SWIVEL 1 SUPPORT, PIVOT 1	1	1	1	
17	93700-06M03	NIPPLE, GREASE PION	3	3	3	AP
18	663-45119-00	CAP, GREASE NIPPLE CAPUCHON, GRAISSEUR	3	3	3	
19	90464-11M18	CLAMP BRIDE	1	1		
20	90338-05M03	PLUG PLOT	1	1		
21	688-43131-03	BOLT, CLAMP BRACKET BOULON, PRESSE	1	1	1	
22	90386-22M15	BUSH DOUILLE	2	2	2	
23	90201-22M67	WASHER, PLATE RONDELLE, PLATE	2	2	2	
24	90185-22043	NUT, SELF-LOCKING ECROU, AUTO-BLOCANT	1	1	1	
25	6G5-43145-01	CAP, CLAMP BRACKET CAPUCHON, PRESSE	2	2	2	
26	6H1-43181-01	LEVER, TILT STOP LEVIER, VERROUILLAGE RELEVAGE	1	1	1	
27	6H1-43185-01	LEVER, TILT STOP LEVIER, VERROUILLAGE RELEVAGE	1	1	1	

FIG. 13 BRACKET 1

SUPPORT 1

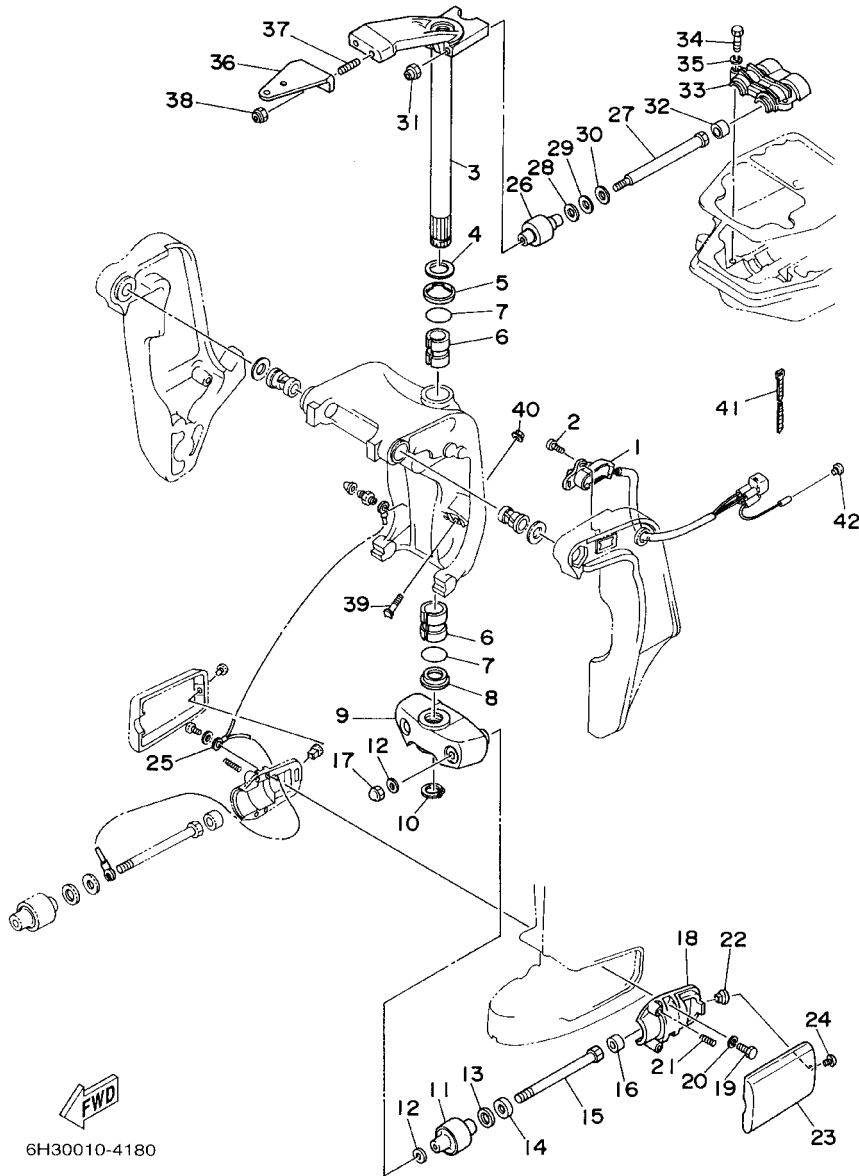


6H30010-9151

REF. NO.	PART NO. NO. PIECES	DESCRIPTION DESCRIPTION	60F	70B	50G	REMARKS REMARQUES
28	90386-10M16	BUSH DOUILLE	4	4	4	
29	90387-10M02	COLLAR COLLERETTE	1	1	1	
30	91690-30020	PIN, SPRING AGRAFFE	2	2	2	
31	688-43160-01	TILT ROD ASSY BROCHE D'INCLINAISON (ENS.)	1	1	1	
32	688-43165-00	.PLATE, TILT LOCK .TAQUET, BROCHE INCLINAISON	1	1	1	
33	91690-30012	.PIN, SPRING .AGRAFFE	1	1	1	
34	90502-16M02	SPRING, CONICAL RESSORT, CONIQUE	1	1	1	
35	6E5-43126-02	PIN, UPPER SHOCK MOUNT AXE, SUPERIEUR AMORTISSEUR	1	1	1	
36	90386-18M63	BUSH DOUILLE	2	2	2	
37	90386-18M35	BUSH DOUILLE	2	2	2	
38	93410-18M02	CIRCLIP CLIPS	1	1	1	
39	90249-06M19	PIN GOUPILLE	1	1	1	
40	6G5-43148-00	COLLAR, DISTANCE ENTRETOISE	2	2	2	
41	90506-14M24	SPRING, TENSION RESSORT, TENSION	1	1	1	
42	6G5-43144-00	HOOK, SPRING CROCHET	1	1	1	
43	97095-06010	BOLT BOULON	1	1	1	
44	90101-12M65	BOLT BOULON	4	4	4	
45	92995-12200	WASHER RONDELLE	8	8	8	
46	90201-12426	WASHER, PLATE RONDELLE, PLATE	4	4	4	
47	95380-12600	NUT ECROU	8	8	8	
48	90440-14M00	PIPE DURITE	1	1	1	

FIG. 14 BRACKET 2

SUPPORT 2

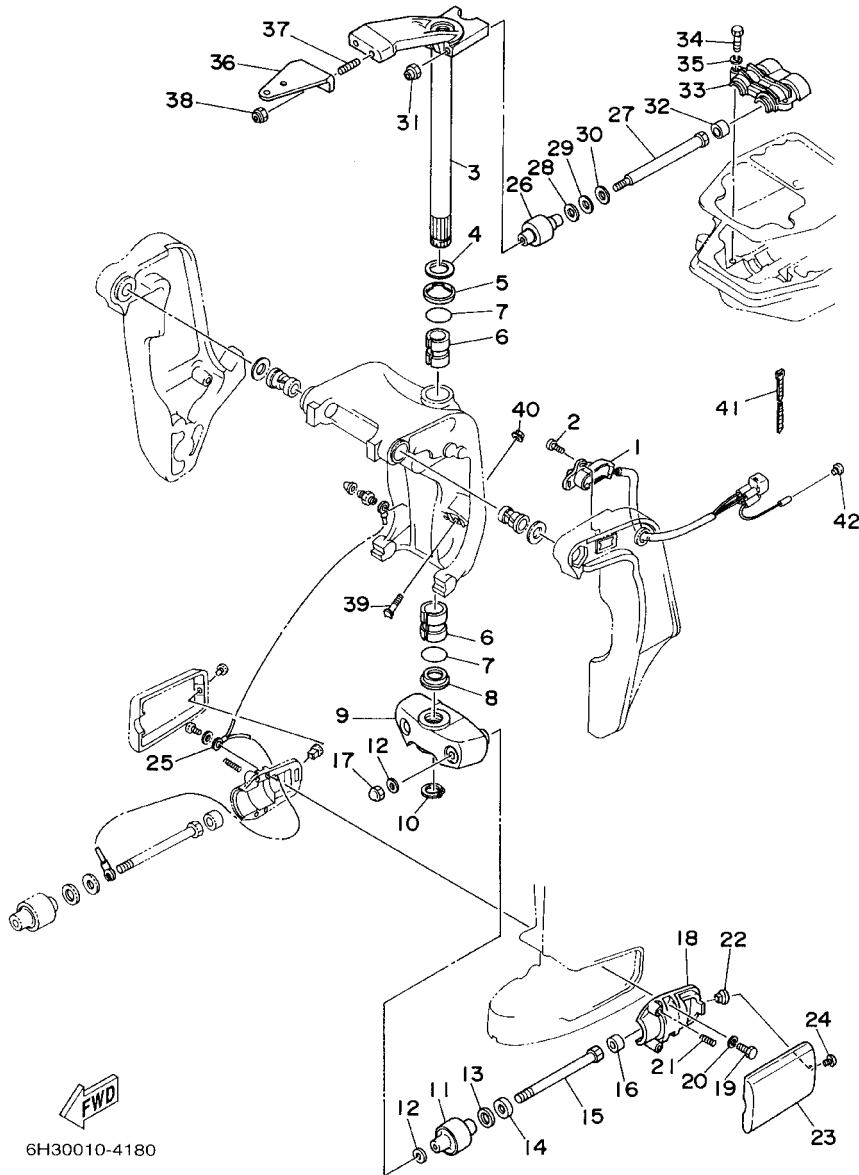


6H30010-4180

REF. NO.	PART NO. NO. PIECES	DESCRIPTION DESCRIPTION	60F	70B	50G	REMARKS REMARQUES
1	6H1-83672-12	TRIM SENDER INCLINER RACCORD	1	1	1	
2	97885-06016	SCREW, PAN HEAD VIS, A ENCOCHE	2	2	2	
3	6H3-42510-12-4D	STEERING BRACKET ASSY DIRECTION SUPPORT (ENS.)	1	1	1	
4	90201-30M00	WASHER, PLATE RONDELLE, PLATE	1	1	1	
5	90386-30M78	BUSH DQUILLE	1	1	1	
6	90386-30M77	BUSH DOUILLE	2	2	2	
7	93210-29M94	O-RING JOINT TORIQUE	2	2	2	
8	90386-30M60	BUSH DOUILLE	1	1	1	
9	6H3-44551-01-4D	HOUSING, LOWER MOUNT RUBBER BOITIER, SILENT-BLOC INFERIEUR	1	1	1	
10	93410-28M06	CIRCLIP CLIPS	1	1	1	
11	687-44555-00-94	MOUNT DAMPER, LOWER SIDE SILENT-BLOC, INFERIEUR LATERAL	2	2	2	
12	90201-12M16	WASHER, PLATE RONDELLE, PLATE	4	4	4	
13	90202-25M04	WASHER, PLATE RONDELLE, PLATE	2	2	2	
14	90201-13M19	WASHER, PLATE RONDELLE, PLATE	2	2	2	
15	90109-12M21	BOLT BOULON	2	2	2	
16	663-44575-00	DAMPER, LOWER MOUNT RUBBER SILENT-BLOC, INFERIEUR	2	2	2	
17	95380-12800	NUT, CROWN ECROU, BORGNE	2	2	2	
18	6H3-44552-03-94	HOUSING, LOWER MOUNT RUBBER BOITIER, SILENT-BLOC INFERIEUR	2	2	2	
19	97075-08025	BOLT BOULON	4	4	4	
20	92995-08100	WASHER RONDELLE	4	4	4	
21	90501-14M08	SPRING, COMPRESSION RESSORT, COMPRESSION	4	4	4	
22	90179-06066	NUT ECROU	2	2	2	
23	6H3-44553-01-4D	COVER, LOWER MOUNT COUVERCLE, SUSPENSION INFERIEUR	2	2	2	
24	97885-06016	SCREW, PAN HEAD VIS, A ENCOCHE	2	2	2	
25	688-82127-02	WIRE, LEAD 2 FIL 2	1	1	1	
26	688-44514-00-94	MOUNT DAMPER, UPPER SIDE SILENT-BLOC, SUPERIEUR LATERAL	2	2	2	
27	90101-10M49	BOLT BOULON	2	2	2	

FIG. 14 BRACKET 2

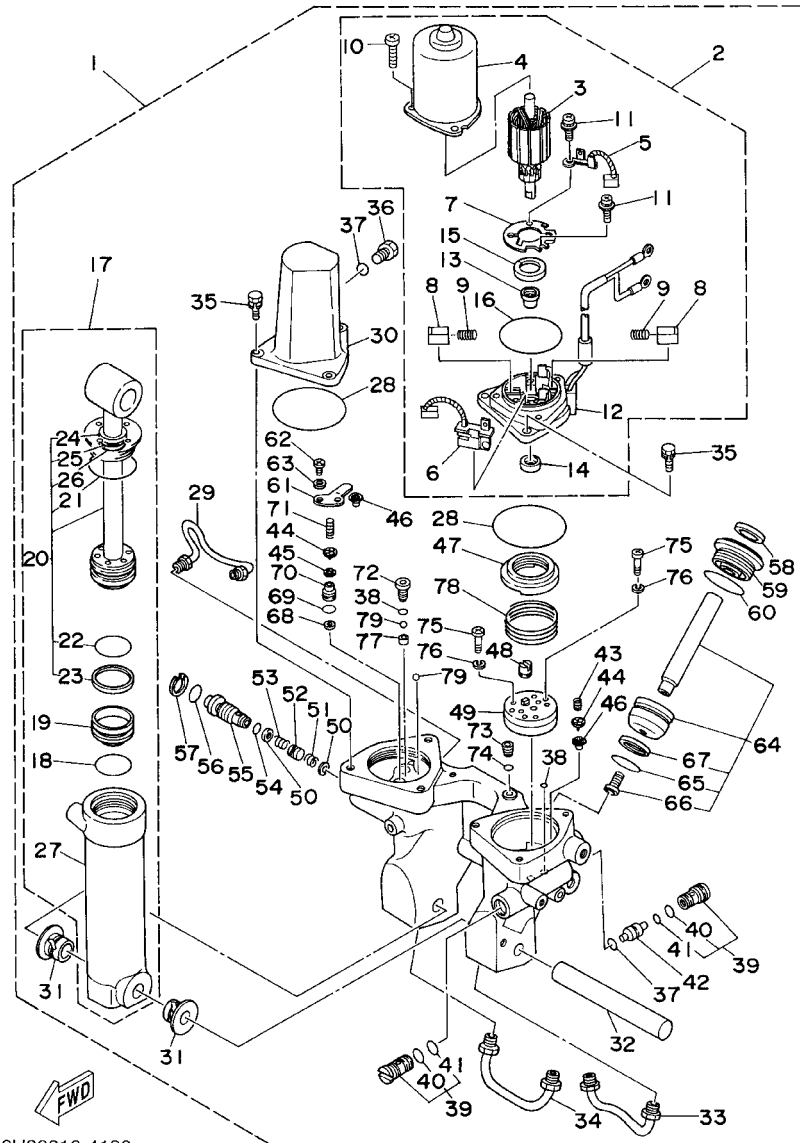
SUPPORT 2



REF. NO.	PART NO. NO. PIECES	DESCRIPTION DESCRIPTION	60F	70B	50G	REMARKS REMARQUES
28	90201-20M21	WASHER, PLATE RONDELLE, PLATE	2	2	2	
29	90202-20M06	WASHER, PLATE RONDELLE, PLATE	2	2	2	
30	90201-11M22	WASHER, PLATE RONDELLE, PLATE	2	2	2	
31	90185-10051	NUT, SELF-LOCKING ECROU, AUTO-BLOCANT	2	2	2	
32	663-44575-00	DAMPER, LOWER MOUNT RUBBER SILENT-BLOC, INFERIEUR	2	2	2	
33	688-44511-00-94	COVER, UPPER MOUNT COUVERCLE, SUSPENSION SUPERIEUR	1	1	1	
34	97075-08035	BOLT BOULON	3	3	3	
35	92995-08100	WASHER RONDELLE	3	3	3	
36	6H3-48511-51-4D	HOOK, STEERING ATTACHE, DIRECTION	1	1	1	STEERING GUIDE
37	90116-10175	BOLT, STUD GOUJON		2		
	90116-10M28	BOLT, STUD GOUJON	2		2	
38	90185-10051	NUT, SELF-LOCKING ECROU, AUTO-BLOCANT	2	2	2	
39	6H1-43376-00	BOLT, THRUST RECEIVER BOULON	2	2	2	
40	90185-08057	NUT, SELF-LOCKING ECROU, AUTO-BLOCANT	2	2	2	
41	90465-11M10	CLAMP BRIDE	3	3	3	
42	703-82119-00	COVER, LEAD WIRE GARNITURE, FIL	1	1	1	

FIG. 15 POWER TRIM & TILT ASSY

PUISSANCE PARER ET INCLINER

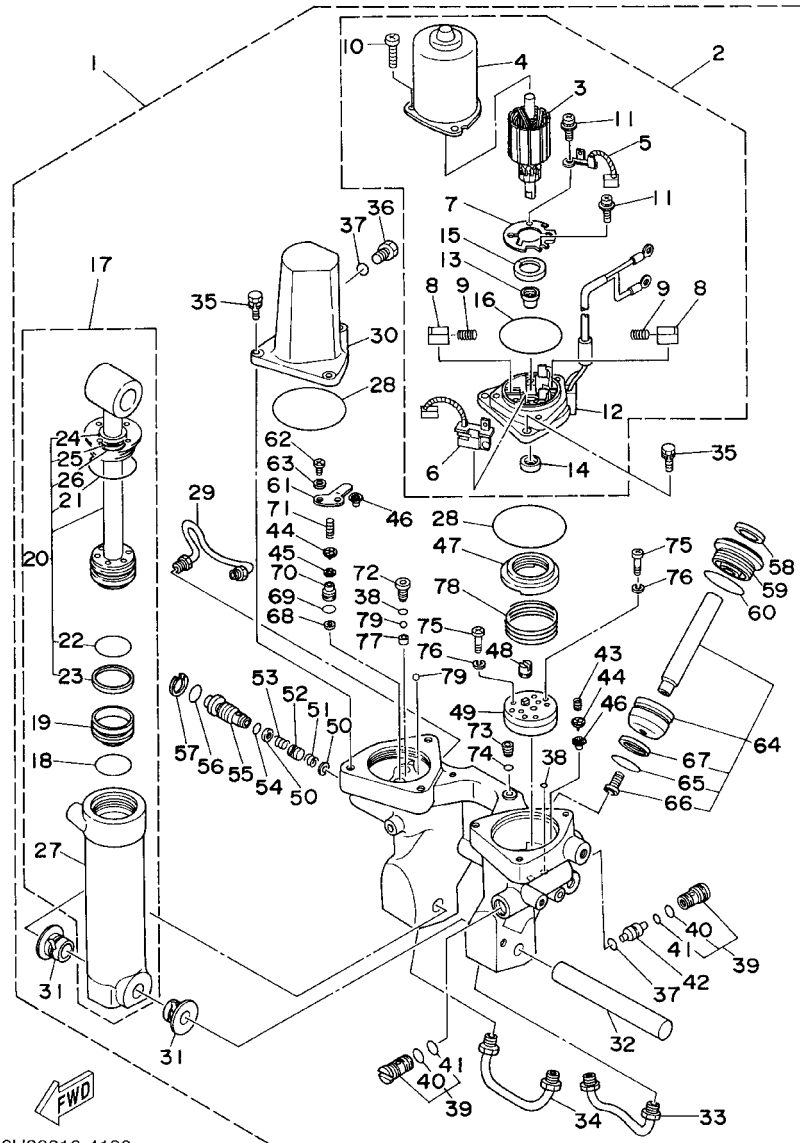


6H30010-4190

REF. NO.	PART NO. NO. PIECES	DESCRIPTION DESCRIPTION	60F	70B	50G	REMARKS REMARQUES
1	6H1-43800-17-4D	POWER TRIM & TILT ASSY PUISSANCE PARER ET INCLINER (ENS.)	1	1		
	62F-43800-04-4D	POWER TRIM & TILT ASSY PUISSANCE PARER ET INCLINER (ENS.)			1	
2	6H1-43880-02	..MOTOR ASSY ..MOTEUR (ENS.)	1	1	1	
3	6H1-43805-10	..ARMATURE ASSY ..INDUIT (ENS.)	1	1	1	
4	6H1-43804-10	..STATOR ASSY ..STATOR (ENS.)	1	1	1	
5	6H1-43891-10	..BRUSH 1 ..BALAI 1	1	1	1	
6	6H1-43892-10	..BRUSH 2 ..BALAI 2	1	1	1	
7	6H1-4380F-10	..PLATE, BRUSH HOLDER ..PLAQUE	1	1	1	
8	6H1-4380J-10	..HOLDER, BRUSH ..PORTE-BALAI	2	2	2	
9	6H1-4386K-10	..SPRING, BRUSH ..RESSORT, BALAI	2	2	2	
10	97885-05016	..SCREW, PAN HEAD ..VIS, A ENCOCHE	3	3	3	
11	97607-04310	..SCREW, WITH WASHER ..VIS HEXAGONAL	2	2	2	
12	6H1-43881-10	..FRAME, END ..BATI	1	1	1	
13	6H1-4380H-10	..METAL ..METAL	1	1	1	
14	93102-08M43	..OIL SEAL ..JOINT SPY	1	1	1	
15	6H1-4380G-10	..PLATE ..PLAQUE	1	1	1	
16	6H1-43865-10	..O-RING ..JOINT TORIQUE	1	1	1	
17	6H1-43840-11	..POWER TILT ASSY ..PUISSANCE INCLINER (ENS.)	1	1	1	
18	6H1-43861-10	..O-RING ..JOINT TORIQUE	1	1	1	
19	6H1-43814-11	..PISTON, FREE ..PISTON	1	1	1	
20	6H1-43810-11	..TILT PISTON SUB ASSY ..INCLINER PISTON AUXILIAIRE (ENS.)	1	1	1	
21	6H1-43861-00	...O-RING ...JOINT TORIQUE	1	1	1	
22	6H1-43861-10	...O-RING ...JOINT TORIQUE	1	1	1	
23	6H1-43871-10	...RING, BACK UP ...SEGMENT	1	1	1	
24	6H1-43812-00	...SEAL, DUST ...JOINT	1	1	1	
25	6H1-43872-10	...RING, BACK UP ...RESSORT	1	1	1	
26	93210-18397	...O-RING ...JOINT TORIQUE	1	1	1	

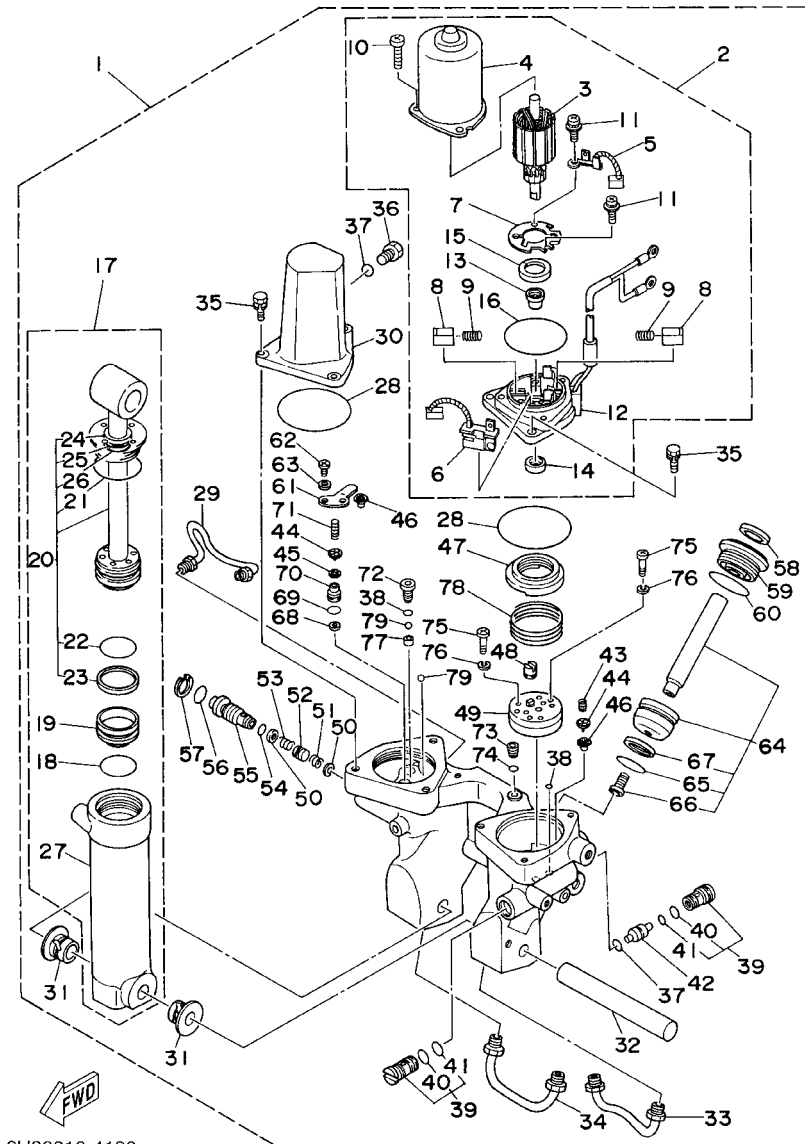
FIG. 15 POWER TRIM & TILT ASSY

PUISSANCE PARER ET INCLINER



6H30010-4190

REF. NO.	PART NO. NO. PIECES	DESCRIPTION DESCRIPTION	60F	70B	50G	REMARKS REMARQUES
27	6H1-43813-10	..CYLINDER, TILT ..CYLINDRE	1	1	1	
28	93210-64488	..O-RING ..JOINT TORIQUE	2	2	2	
29	6H1-43835-10	..PIPE ..TUYAU	1	1	1	
30	6H1-43828-10	..BODY, RESERVOIR ..CORPS	1	1	1	
31	90386-18M14	..BUSH ..DOUILLE	2	2	2	
32	6E5-43818-00	..PIN, LOWER SHOCK MOUNT ..AXE, INFERIEUR AMORTISSEUR	1	1	1	
33	6H1-43833-10	..PIPE ..TUYAU	1	1	1	
34	6H1-43834-00	..PIPE ..TUYAU	1	1	1	
35	97595-06420	..BOLT, WITH WASHER ..VIS HEXAGONAL AVC RONDELLE	6	6	6	
36	6H1-43829-00	..PLUG, RESERVOIR ..BOUCHON	1	1	1	
37	93210-09165	..O-RING ..JOINT TORIQUE	2	2	2	
38	93210-064A5	..O-RING ..JOINT TORIQUE	1	1	1	
39	67F-43802-00	..VALVE SUB ASSY ..CLAPET AUXILIAIRE (ENS.)	2	2	2	
40	6H1-43866-00	..O-RING ..JOINT TORIQUE	1	1	1	
41	6H1-43867-00	..O-RING ..JOINT TORIQUE	1	1	1	
42	6H1-43841-11	..PISTON, SHUTTLE ..PISTON	1	1	1	
43	6H1-43856-10	..SPRING, DOWN RELIEF ..RESSORT	1	1	1	
44	6H1-43844-10	..PIN, VALVE SUPPORT ..GOUPILLE	2	2	2	
45	6H1-4384G-11	..SEAL, RELIEF VALVE ..JOINT	1	1	1	
46	6H1-4384F-10	..SEAL, MAIN VALVE ..JOINT	2	2	2	
47	6H1-43817-01	..FILTER 2 ..FILTRE 2	1	1	1	
48	6H1-43831-10	..CONNECTOR, SHAFT ..RACCORD	1	1	1	
49	6H1-43830-11	..GEAR PUMP ASSY ..POMPE A PIGNON (ENS.)	1	1	1	
50	6H1-43847-00	..SEAT, MANUAL VALVE ..SIEGE	2	2	2	
51	6H1-43899-00	..SPRING, MANUAL RELEASE ..RESSORT	1	1	1	
52	6H1-4382A-10	..ADAPTOR 1 ..ADAPTEUR 1	1	1	1	
53	6H1-43854-00	..SPRING, MANUAL RELEASE ..RESSORT	1	1	1	



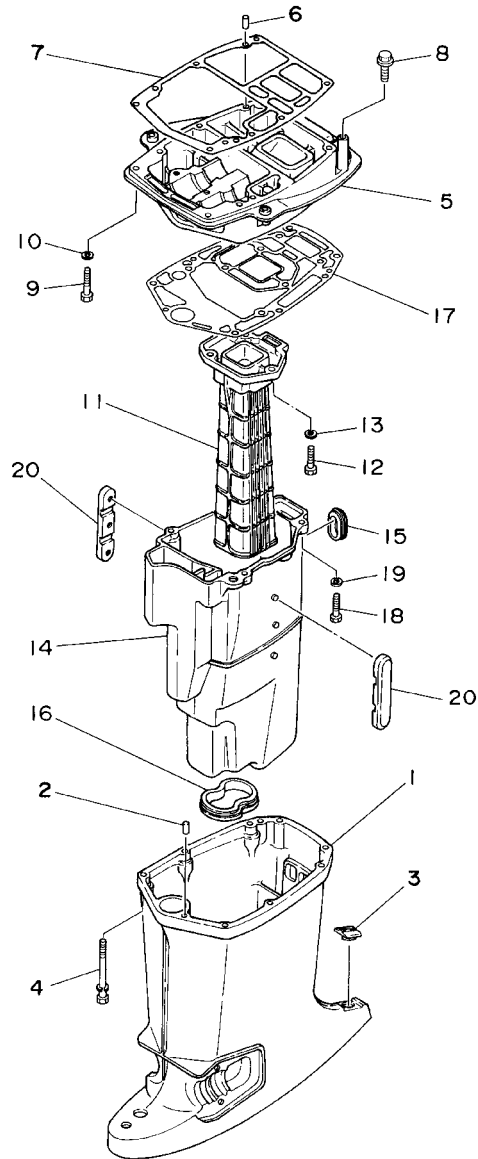
6H30010-4190

FIG. 15 POWER TRIM & TILT ASSY PUISSANCE PARER ET INCLINER

REF. NO.	PART NO. NO. PIECES	DESCRIPTION DESCRIPTION	60F	70B	50G	REMARKS REMARQUES
54	93210-10M74	.O-RING .JOINT TORIQUE	1	1	1	
55	6H1-43845-00	.SCREW, MANUAL RELEASE .VIS	1	1	1	
56	93210-18M75	.O-RING .JOINT TORIQUE	1	1	1	
57	6H1-43875-00	.RING, SNAP .RESSORT	1	1	1	
58	6H1-43822-10	.SEAL, TRIM DUST .JOINT	2	2	2	
59	6H1-43821-11	.SCREW, TRIM CYLINDER END .VIS	2	2	2	
60	6H1-43861-10	.O-RING .JOINT TORIQUE	2	2	2	
61	6H1-4384E-20	.SPRING, TRIM .RESSORT	1	1	1	
62	98501-05010	.SCREW, PAN HEAD .VIS	2	2	2	
63	92901-05200	.WASHER, PLAIN .RONDELLE, PLATE	2	2	2	
64	6H1-43820-11	.TRIM PISTON SUB ASSY .PARER PISTON AUXILIAIRE (ENS.)	2	2	2	
65	6H1-43864-00	.O-RING .JOINT TORIQUE	1	1	1	
66	91318-08016	.BOLT .BOULON	1	1	1	
67	6H1-43874-00	.RING, BACK UP .RESSORT	1	1	1	
68	6H1-43816-00	.FILTER 1 FILTRE 1	1	1	1	
69	6H1-43896-00	.O-RING .JOINT TORIQUE	1	1	1	
70	6H1-43895-12	.SEAT, RELIEF VALVE SIEGE	1	1	1	
71	6H1-43855-11	.SPRING, UP RELIEF .RESSORT	1	1	1	
	62F-43855-00	.SPRING, UP RELIEF .RESSORT			1	
72	6H1-43843-11	.SCREW, VALVE LOCK .VIS	1	1	1	
73	6H1-4388E-11	.PLUG, TAPER SCREW .BOUCHON	1	1	1	
74	6H1-43868-00	.O-RING .JOINT TORIQUE	1	1	1	
75	98501-04025	.SCREW, PAN HEAD .VIS	4	4	4	
76	92901-04100	.WASHER, SPRING .RONDELLE, GROWER	4	4	4	
77	6H1-4387J-00	.WASHER, SPECIAL 2 .RONDELLE	1	1	1	
78	6H1-4385H-00	.SPRING, SEAL .RESSORT	1	1	1	
79	93505-32038	.BALL .BILLE ROULEMENT	2	2	2	

FIG. 16 UPPER CASING

FOURREAU

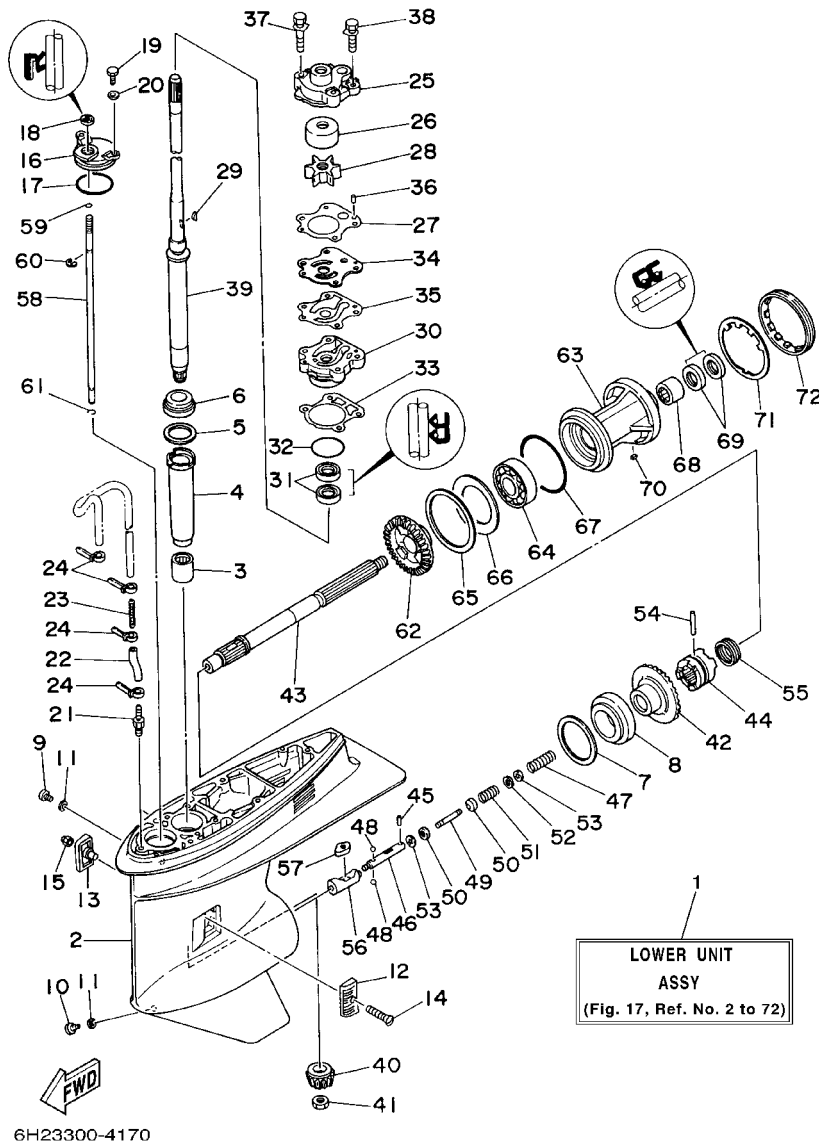


REF. NO.	PART NO. NO. PIECES	DESCRIPTION DESCRIPTION	60F	70B	50G	REMARKS REMARQUES
1	6H3-45111-11-4D	CASING, UPPER FOURREAU	1	1	1	L
2	93606-12019	PIN, DOWEL GOUPILLE	2	2	2	
3	6H3-45155-00	CAP CAPUCHON	1	1	1	
4	90119-08M81	BOLT, WITH WASHER BOULON, AVEC RONDELLE	6	6	6	
5	6H3-41137-01-94	GUIDE, EXHAUST COLLECTEUR D'ECHAPPEMENT	1	1	1	
6	93606-12019	PIN, DOWEL GOUPILLE	2	2	2	
7	6H3-45113-A0	GASKET, UPPER CASING JOINT, TUBE D'ARBRE	1	1	1	
8	90119-08M79	BOLT, WITH WASHER BOULON, AVEC RONDELLE	2	2	2	
9	97075-08035	BOLT BOULON	2	2	2	
10	92995-08100	WASHER RONDELLE	2	2	2	
11	6H3-41131-00-5B	MANIFOLD, EXT. 1 PIPE D'ECHAPPEMENT		1		
	6H2-41131-00-5B	MANIFOLD, EXT. 1 PIPE D'ECHAPPEMENT	1		1	
12	97075-08030	BOLT BOULON	3	3	3	
13	92995-08100	WASHER RONDELLE	3	3	3	
14	6H3-14711-10-5B	MUFFLER 1 POT D'ECHAPPEMENT 1	1	1	1	L
15	6H3-45127-00	SEAL JOINT	1	1	1	
16	6H3-45123-00	GASKET, MUFFLER JOINT, POT DE DETENTE	1	1	1	
17	6H3-45114-A1	GASKET, UPPER CASING JOINT, TUBE D'ARBRE	1	1	1	
18	97075-08030	BOLT BOULON	4	4	4	
19	92995-08100	WASHER RONDELLE	4	4	4	
20	6H3-14737-10	DAMPER, MUFFLER AMORTISSEUR DE POT D'ECHAPPT	2	2	2	L

FWD
6H30100-4190

FIG. 17 LOWER CASING. DRIVE 1

BOITIER D'HELICE, TRANSMISSION 1

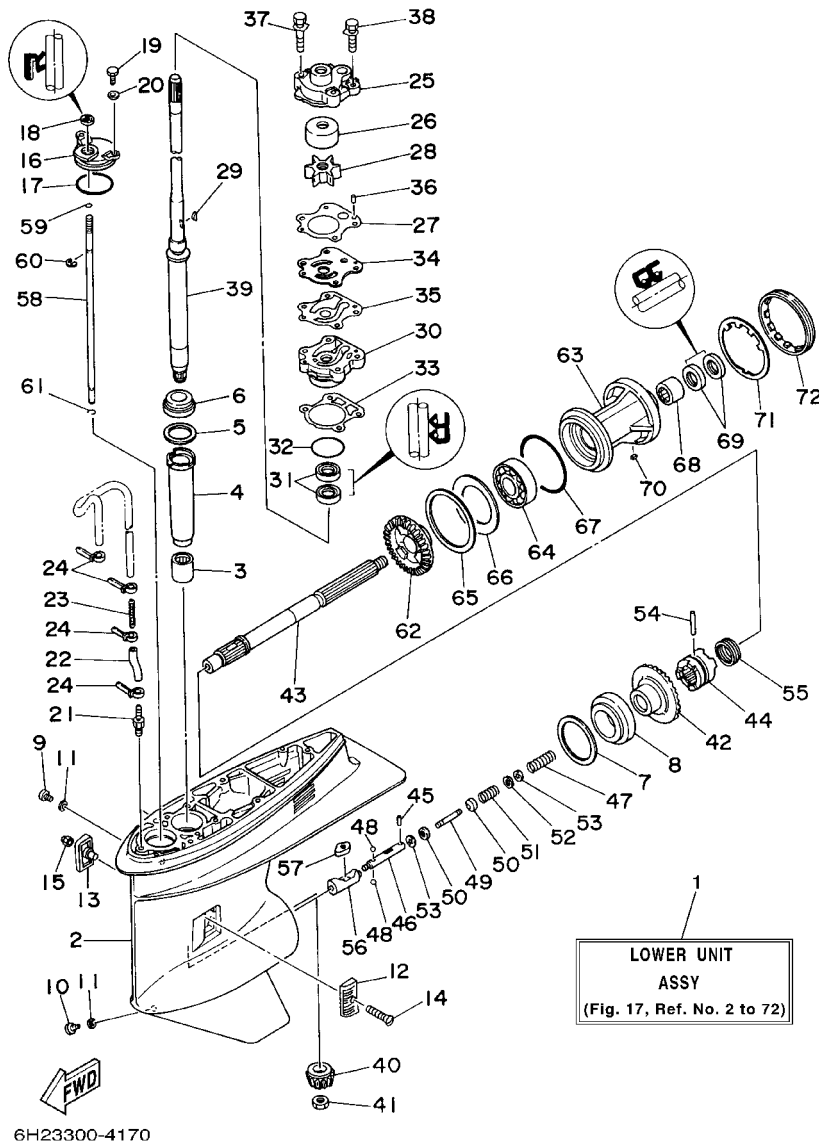


6H23300-4170

REF. NO.	PART NO. NO. PIECES	DESCRIPTION DESCRIPTION	60F	70B	50G	REMARKS REMARQUES
1	6H3-45300-15-4D	LOWER UNIT ASSY UNITE INFÉRIEURE (ENS.)	1	1		L
2	6H1-45301-03-4D	CASING, LOWER BEQUILLE	1	1		
3	93315-325V1	BEARING ROULEMENT	1	1		
4	688-45536-01	SLEEVE, DRIVE SHAFT MANCHON, ARBRE MOTEUR	1	1		
5	688-45587-01-10	SHIM (T:0.10MM) CALE (T:0.10MM)	1	1		UR
	688-45587-01-12	SHIM (T:0.12MM) CALE (T:0.12MM)	1	1		UR
	688-45587-01-15	SHIM (T:0.15MM) CALE (T:0.15MM)	1	1		UR
	688-45587-01-18	SHIM (T:0.18MM) CALE (T:0.18MM)	1	1		UR
	688-45587-01-30	SHIM (T:0.30MM) CALE (T:0.30MM)	1	1		UR
	688-45587-01-40	SHIM (T:0.40MM) CALE (T:0.40MM)	1	1		UR
	688-45587-01-50	SHIM (T:0.50MM) CALE (T:0.50MM)	1	1		UR
6	93332-000U3	BEARING ROULEMENT	1	1		
7	688-45567-01-10	SHIM (T:0.10MM) CALE (T:0.10MM)	1	1		UR
	688-45567-01-12	SHIM (T:0.12MM) CALE (T:0.12MM)	1	1		UR
	688-45567-01-15	SHIM (T:0.15MM) CALE (T:0.15MM)	1	1		UR
	688-45567-01-18	SHIM (T:0.18MM) CALE (T:0.18MM)	1	1		UR
	688-45567-01-30	SHIM (T:0.30MM) CALE (T:0.30MM)	1	1		UR
	688-45567-01-40	SHIM (T:0.40MM) CALE (T:0.40MM)	1	1		UR
	688-45567-01-50	SHIM (T:0.50MM) CALE (T:0.50MM)	1	1		UR
8	93332-000W7	BEARING ROULEMENT	1	1		
9	90340-08002	PLUG, STRAIGHT SCREW PLOT, FILETE DROIT	1	1		
10	688-45341-10	PLUG, DRAIN BOUCHON DE VIDANGE	1	1		
11	90430-08020	GASKET JOINT	2	2		
12	6H1-45214-00	COVER, WATER INLET GRILLE, ENTREE D'EAU	1	1		
13	6H1-45215-00	COVER, WATER INLET GRILLE, ENTREE D'EAU	1	1		
14	90151-05M00	SCREW, COUNTERSUNK VIS, TETE NOYEE	1	1		
15	90185-05002	NUT, SELF-LOCKING ECROU, AUTO-BLOCANT	1	1		

FIG. 17 LOWER CASING. DRIVE 1

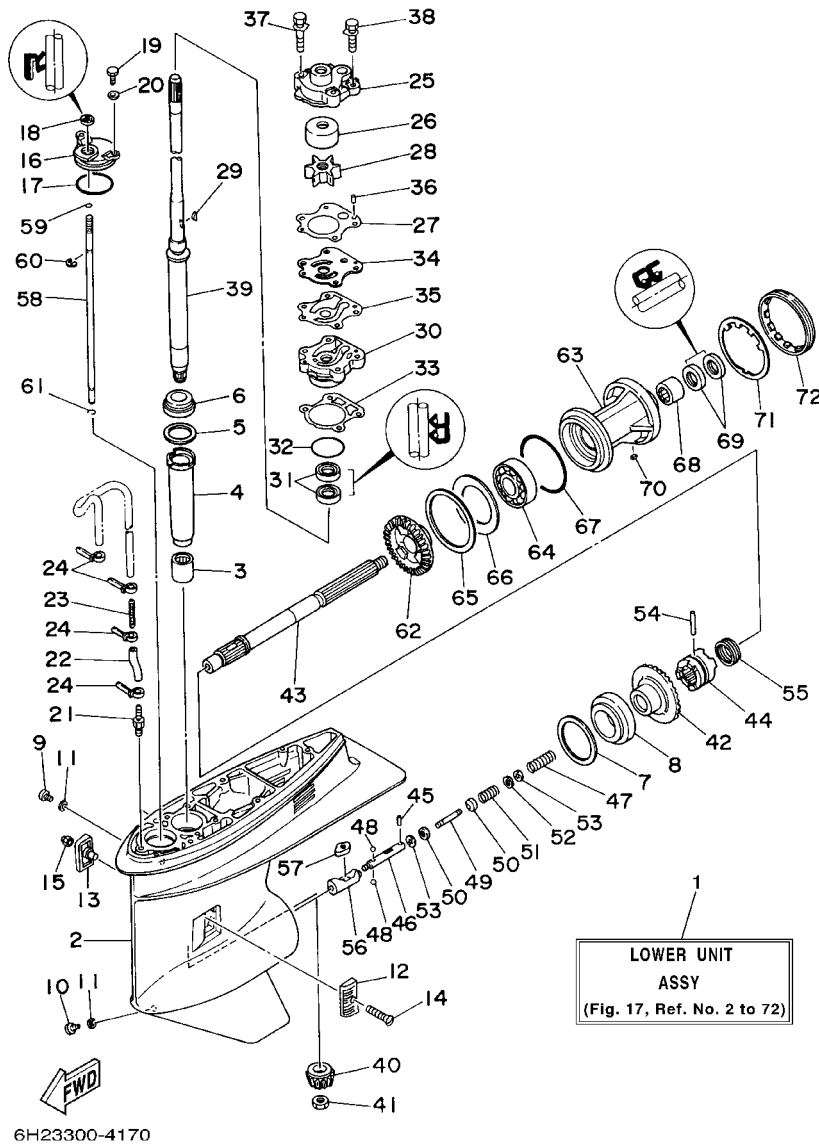
BOITIER D'HELICE, TRANSMISSION 1



REF. NO.	PART NO. NO. PIECES	DESCRIPTION DESCRIPTION	60F	70B	50G	REMARKS REMARQUES
16	688-45321-00	PLATE PLAQUETTE	1	1		
17	93210-49046	O-RING JOINT TORIQUE	1	1		
18	93106-09014	OIL SEAL JOINT SPY	1	1		
19	97095-06016	BOLT BOULON	2	2		
20	92995-06600	WASHER RONDELLE	2	2		
21	6E5-45378-00	NIPPLE, HOSE RACCORD, TUYAU	1	1		
22	90445-07ME9	HOSE (L120) DURITE (L120)	1	1		L
23	6E5-83558-10	END, NIPPLE RACCORD DE NIPPLE	1	1		
24	90465-11M10	CLAMP BRIDE	4	4		
25	6H3-44311-00	HOUSING, WATER PUMP CORPS, POMPE A EAU	1	1		
26	663-44322-00	INSERT, CARTRIDGE CUVETTE	1	1		
27	6H3-44315-A0	GASKET, WATER PUMP JOINT, POMPE A EAU	1	1		
28	6H3-44352-00	IMPELLER TURBINE	1	1		
29	90280-03M03	KEY, WOODRUFF CLAVETTE, DEMI-LUNE	1	1		
30	6H3-44341-00-94	HOUSING, WATER PUMP CORPS, POMPE A EAU	1	1		
31	93101-23070	OIL SEAL JOINT SPY	2	2		
32	93210-46044	O-RING JOINT TORIQUE	1	1		
33	688-44316-A0	GASKET, WATER PUMP JOINT, POMPE A EAU	1	1		
34	6H3-44323-00	OUTER PLATE, CARTRIDGE PLAQUE EXTERIEURE	1	1		
35	6H3-44324-A0	GASKET, CARTRIDGE JOINT	1	1		
36	93604-10M03	PIN, DOWEL CLAVETTE	2	2		
37	90119-08M33	BOLT, WITH WASHER BOULON, AVEC RONDELLE	2	2		
38	90119-08M14	BOLT, WITH WASHER BOULON, AVEC RONDELLE	2	2		
39	6H3-45501-10	DRIVE SHAFT COMP. ARBRE MOTEUR COMP.	1	1		L
40	6K5-45551-00	PINION (12T) PIGNON D'ATTAQUE (12D)	1	1		
41	90170-16M01	NUT ECROU	1	1		
42	6K5-45560-00	GEAR (28T) PIGNON (28D)	1	1		

FIG. 17 LOWER CASING. DRIVE 1

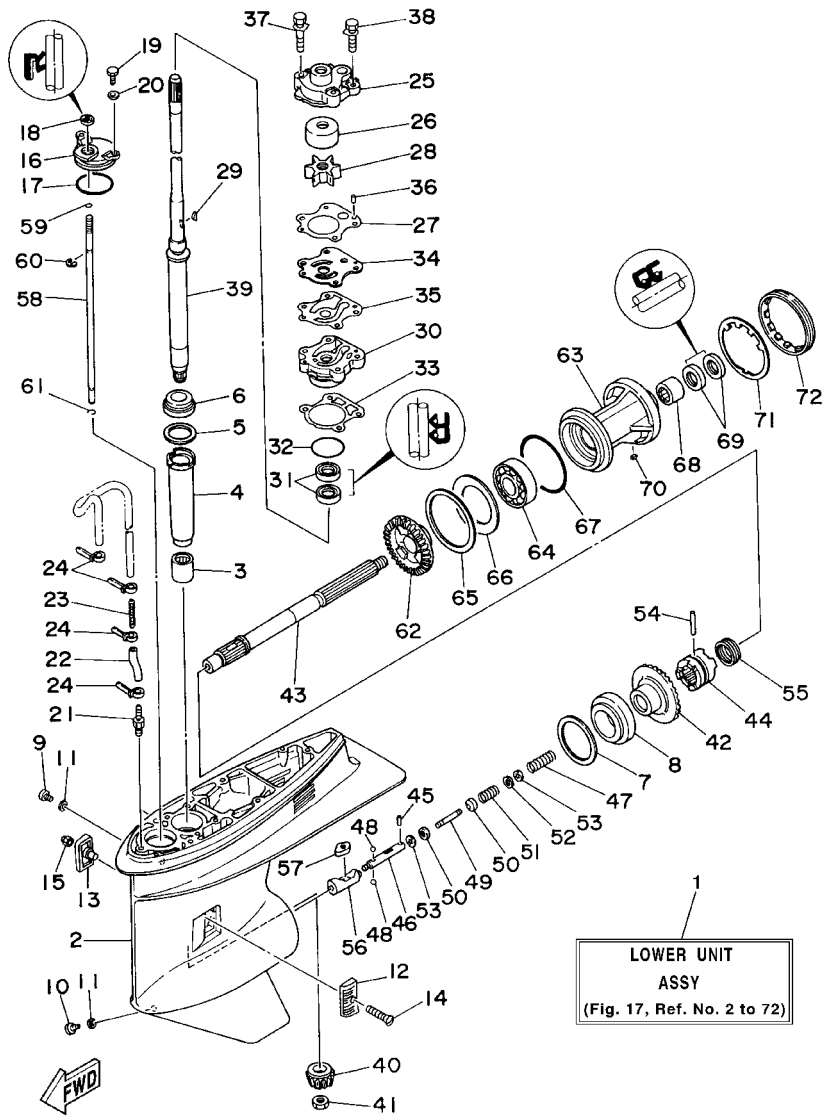
BOITIER D'HELICE, TRANSMISSION 1



REF. NO.	PART NO. NO. PIECES	DESCRIPTION DESCRIPTION	60F	70B	50G	REMARKS REMARQUES
43	6H1-45611-01	SHAFT, PROPELLER ARBRE, HELICE	1	1		
44	6H1-45631-01	CLUTCH, DOG CRABOT	1	1		
45	93603-12M11	PIN, DOWEL CLAVETTE	1	1		
46	6H1-45634-02	SLIDE, SHIFT CONTRE-POUSOIR	1	1		
47	90501-16M65	SPRING, COMPRESSION RESSORT, COMPRESSION	1	1		
48	93503-16003	BALL BILLES	2	2		
49	6H1-45668-00	SHAFT, FREE AXE	1	1		
50	6H1-45635-00	PLUNGER, SHIFT POUSOIR D'EMBRAYAGE	2	2		
51	90501-12M48	SPRING, COMPRESSION RESSORT, COMPRESSION	1	1		
52	90201-03313	WASHER, PLATE RONDELLE, PLATE	1	1		
53	90183-02M03	NUT, SPRING ECROU, RESSORT	2	2		
54	90250-07M02	PIN, STRAIGHT GOUPILLE, DROITE	1	1		
55	688-45633-00	RING, CROSS PIN JONC, GOUPILLE CRABOT	1	1		
56	6H1-45641-01	SHIFTER EMBRAYAGE	1	1		
57	6H1-44151-00	CAM, SHIFT CAME, INVERSION	1	1		
58	6H1-44144-00	ROD, SHIFT TIGE D'EMBRAYAGE	1	1		
59	93210-07003	O-RING JOINT TORIQUE	1	1		
60	99001-08600	CIRCLIP CIRCLIP	1	1		
61	93450-07M00	CIRCLIP CIRCLIP	1	1		
62	6H3-45571-00	GEAR PIGNON	1	1		
63	688-45331-00-94	HOUSING, BEARING FLASQUE, ROULEMENT	1	1		
64	93306-207U0	BEARING ROULEMENT	1	1		
65	688-45577-01-10	SHIM (T:0.10MM) CALE (T:0.10MM)	1	1		UR
	688-45577-01-12	SHIM (T:0.12MM) CALE (T:0.12MM)	1	1		UR
	688-45577-01-15	SHIM (T:0.15MM) CALE (T:0.15MM)	1	1		UR
	688-45577-01-18	SHIM (T:0.18MM) CALE (T:0.18MM)	1	1		UR
	688-45577-01-30	SHIM (T:0.30MM) CALE (T:0.30MM)	1	1		UR

FIG. 17 LOWER CASING. DRIVE 1

BOITIER D'HELICE, TRANSMISSION 1



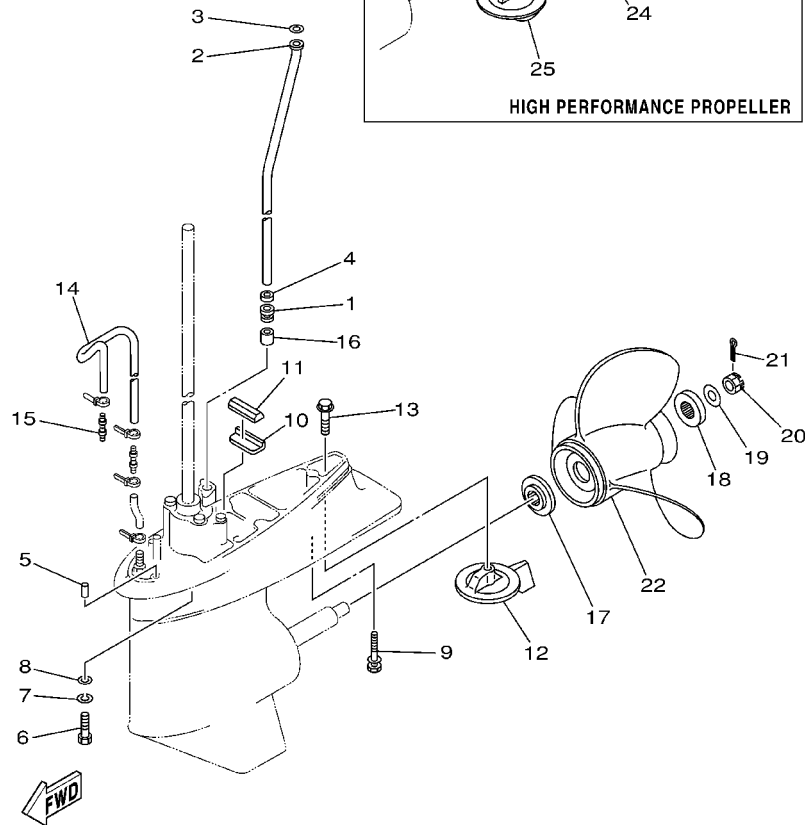
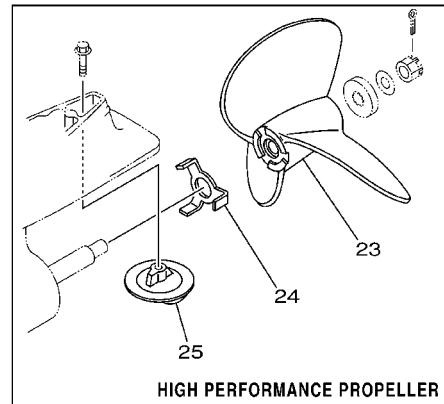
6H23300-4170

REF. NO.	PART NO. NO. PIECES	DESCRIPTION DESCRIPTION	60F	70B	50G	REMARKS REMARQUES
65	688-45577-01-40	SHIM (T:0.40MM) CALE (T:0.40MM)	1	1		UR
	688-45577-01-50	SHIM (T:0.50MM) CALE (T:0.50MM)	1	1		UR
66	688-45576-00	WASHER, THRUST RONDELLE DE CALAGE	1	1		
67	93210-85M97	O-RING JOINT TORIQUE	1	1		
68	93317-325U0	BEARING PIECE	1	1		
69	93101-25M03	OIL SEAL JOINT SPY	2	2		
70	90282-04010	KEY, STRAIGHT CLAVETTE, DROITE	1	1		
71	688-45383-02	WASHER, CLAW FREIN D'ECROU	1	1		
72	688-45384-00	NUT ECROU	1	1		

FIG. 18 LOWER CASING. DRIVE 2

BOITIER D'HELICE, TRANSMISSION 2

REF. NO.	PART NO. NO. PIECES	DESCRIPTION DESCRIPTION	60F	70B	50G	REMARKS REMARQUES
1	663-44367-00	DAMPER, WATER SEAL JOINT TUBE D'EAU	1	1		
2	6H3-44361-10	TUBE, WATER TUBE D'EAU	1	1		L
3	90202-12060	WASHER, PLATE RONDELLE, PLATE	1	1		
4	90430-12072	GASKET JOINT	1	1		
5	93606-12019	PIN, DOWEL GOUILLE	2	2		
6	97075-10040	BOLT BOULON	4	4		L
7	92990-10100	WASHER, SPRING RONDELLE, GROWER	4	4		
8	92990-10600	WASHER, PLATE RONDELLE, PLATE	4	4		
9	90119-08M84	BOLT, WITH WASHER BOULON, AVEC RONDELLE	1	1		L
10	663-45376-00-94	GUIDE, SEAL DAMPER BUTEE, JOINT CAOUTCHOUC	1	1		
11	688-45375-00	DAMPER, SEAL BOURRELET, CAOUTCHOUC	1	1		
12	688-45371-02	TAB-TRIM ANODE DERIVE	1	1		
13	90105-10M67	BOLT, FLANGE BOULON	1	1		
14	90445-07MF1	HOSE (L570) DURITE (L570)	1	1		
15	6E5-83558-00	END, NIPPLE RACCORD DE NIPPLE	1	1		
16	663-44366-00	DAMPER, WATER SEAL JOINT, TUBE D'EAU	1	1		
17	688-45987-01	SPACER ENTRETOISE	1	1		
18	688-45997-01	SPACER ENTRETOISE	1	1		
19	90201-17M00	WASHER, PLATE RONDELLE, PLATE	1	1		
20	90171-16011	NUT, CASTLE ECROU, CRENELE	1	1		
21	91490-40025	PIN, COTTER GOUILLE	1	1		
22	6E5-45941-00-EL	PROPELLER (3X13"X19"-K) HELICE (3X13"X19"-K)	1	1		UR
	6E5-45943-00-EL	PROPELLER (3X12-5/8"X21"-K) HELICE (3X12-5/8"X21"-K)	1	1		UR
	6E5-45945-01-EL	PROPELLER (3X13-1/4"X17"-K) HELICE (3X13-1/4"X17"-K)	1	1		UR
	6E5-45947-00-EL	PROPELLER (3X13-1/2"X15"-K) HELICE (3X13-1/2"X15"-K)	1	1		UR
	6E5-45949-00-EL	PROPELLER (3X13-5/8"X13"-K) HELICE (3X13-5/8"X13"-K)	1	1		UR
	6E5-45952-00-EL	PROPELLER (3X13"X23"-K) HELICE (3X13"X23"-K)	1	1		UR



6H30100-0210

FIG. 18 LOWER CASING. DRIVE 2

BOITIER D'HELICE, TRANSMISSION 2

REF. NO.	PART NO. NO. PIECES	DESCRIPTION DESCRIPTION	60F	70B	50G	REMARKS REMARQUES
22	6E5-45954-00-EL	PROPELLER (3X14"X11"-K) HELICE (3X14"X11"-K)	1	1		UR
	6E5-45956-00-EL	PROPELLER (3X13"X25"-K) HELICE (3X13"X25"-K)	1	1		UR
		STAINLESS STEEL PROPELLER ACIER INOXYDABLE HELICE				
	688-45930-02-98	PROPELLER (3X13"X17"-K) HELICE (3X13"X17"-K)	1	1		UR
	688-45970-03-98	PROPELLER (3X13"X19"-K) HELICE (3X13"X19"-K)	1	1		UR
	688-45972-02-98	PROPELLER (3X13"X21"-K) HELICE (3X13"X21"-K)	1	1		UR
	688-45974-02-98	PROPELLER (3X13"X23"-K) HELICE (3X13"X23"-K)	1	1		UR
	688-45976-01-98	PROPELLER (3X13"X25"-K) HELICE (3X13"X25"-K)	1	1		UR
	688-45932-60-98	PROPELLER (3X13-1/2"X14"-K) HELICE (3X13-1/2"X14"-K)	1	1		UR
	688-45978-60-98	PROPELLER (3X13-1/2"X16"-K) HELICE (3X13-1/2"X16"-K)	1	1		UR
		HIGH PERFORMANCE PROPELLER HELICE RENDEMENT DE HAUTEUR				
23	6E5-45970-10	PROPELLER (3X14"X20"-P) HELICE (3X14"X20"-P)	1	1		UR
	6E5-45972-10	PROPELLER (3X14"X24"-P) HELICE (3X14"X24"-P)	1	1		UR
	6E5-45974-10	PROPELLER (3X14"X28"-P) HELICE (3X14"X28"-P)	1	1		UR
	6E5-45976-10	PROPELLER (3X14"X22"-P) HELICE (3X14"X22"-P)	1	1		UR
	6E5-45978-10	PROPELLER (3X14"X26"-P) HELICE (3X14"X26"-P)	1	1		UR
24	6E5-45994-10	PLATE, TOOTH PLAQUETTE	1	1		
25	6E5-45371-10	TAB-TRIM ANODE DERIVE	1	1		

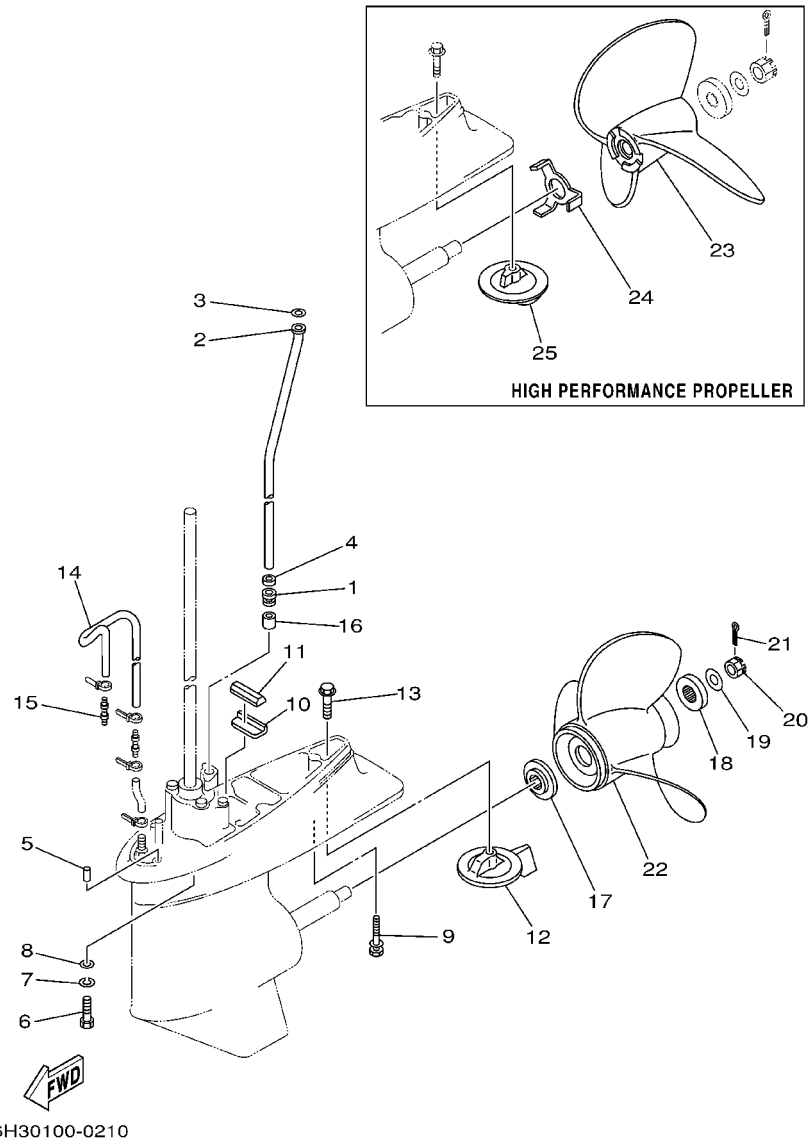
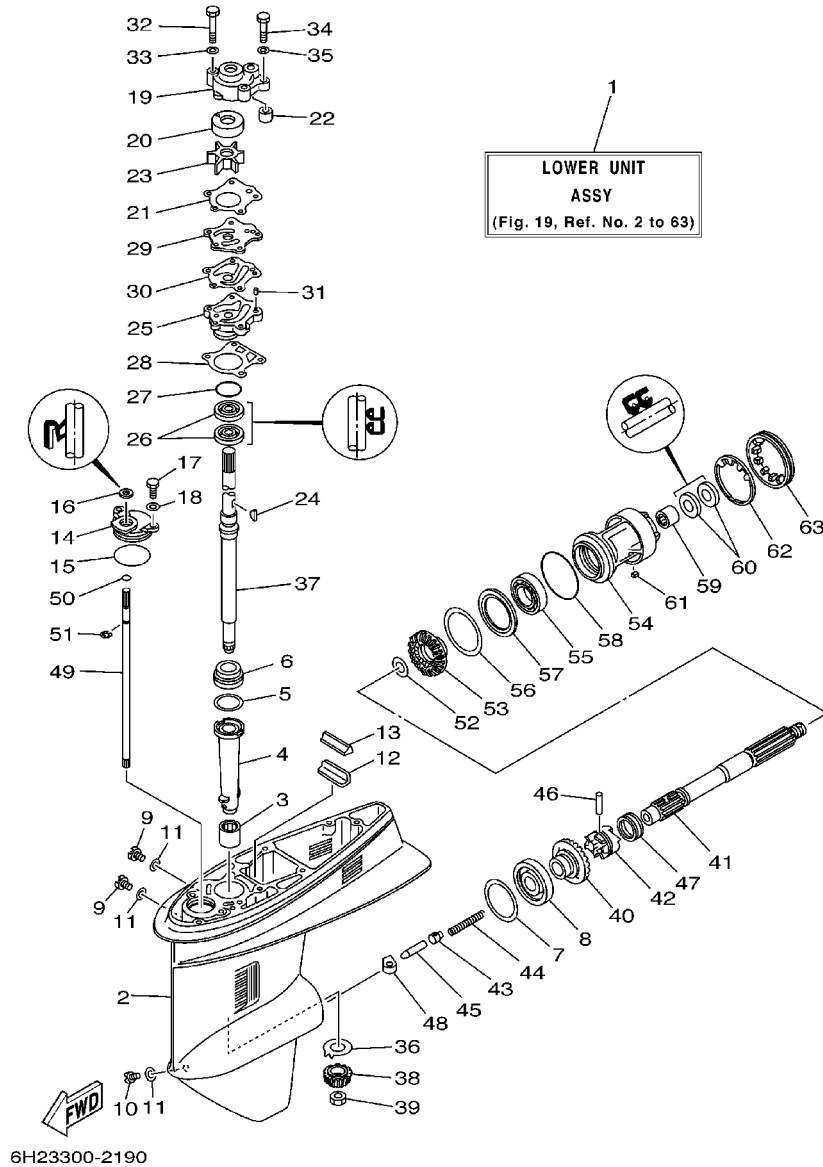


FIG. 19 LOWER CASING. DRIVE 3

BOITIER D'HELICE, TRANSMISSION 3

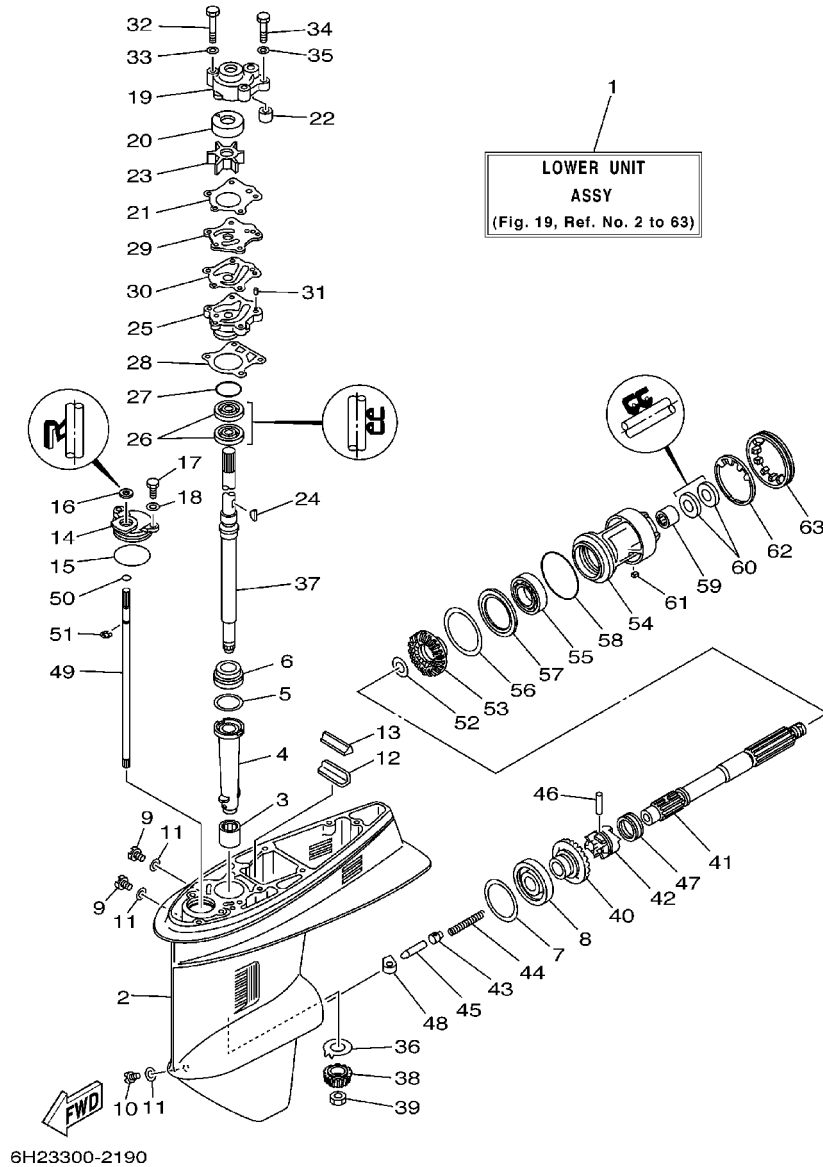


1
**LOWER UNIT
 ASSY**
 (Fig. 19, Ref. No. 2 to 63)

REF. NO.	PART NO. NO. PIECES	DESCRIPTION DESCRIPTION	60F	70B	50G	REMARKS REMARQUES
1	62F-45300-10-4D	LOWER UNIT ASSY UNITE INFÉRIEURE (ENS.)			1	L
2	697-45311-02-4D	CASING, LOWER BOITIER D'HELICE			1	
3	93315-322V2	BEARING ROULEMENT			1	
4	698-45536-00	SLEEVE, DRIVE SHAFT MANCHON, ARBRE MOTEUR			1	
5	663-45587-01-10	SHIM (T:0.10MM) CALE (T:0.10MM)			1	UR
663-45587-01-12	SHIM (T:0.12MM) CALE (T:0.12MM)			1	UR	
663-45587-01-15	SHIM (T:0.15MM) CALE (T:0.15MM)			1	UR	
663-45587-01-18	SHIM (T:0.18MM) CALE (T:0.18MM)			1	UR	
663-45587-01-30	SHIM (T:0.30MM) CALE (T:0.30MM)			1	UR	
663-45587-01-40	SHIM (T:0.40MM) CALE (T:0.40MM)			1	UR	
663-45587-01-50	SHIM (T:0.50MM) CALE (T:0.50MM)			1	UR	
6	93332-00001	BEARING ROULEMENT			1	
7	663-45567-01-10	SHIM (T:0.10MM) CALE (T:0.10MM)			1	UR
663-45567-01-12	SHIM (T:0.12MM) CALE (T:0.12MM)			1	UR	
663-45567-01-15	SHIM (T:0.15MM) CALE (T:0.15MM)			1	UR	
663-45567-01-18	SHIM (T:0.18MM) CALE (T:0.18MM)			1	UR	
663-45567-01-30	SHIM (T:0.30MM) CALE (T:0.30MM)			1	UR	
663-45567-01-40	SHIM (T:0.40MM) CALE (T:0.40MM)			1	UR	
663-45567-01-50	SHIM (T:0.50MM) CALE (T:0.50MM)			1	UR	
8	93332-00003	BEARING ROULEMENT			1	
9	90340-08002	PLUG, STRAIGHT SCREW PLOT, FILETE DROIT			2	
10	688-45341-10	PLUG, DRAIN BOUCHON DE VIDANGE			1	
11	90430-08020	GASKET JOINT			3	
12	663-45376-00-94	GUIDE, SEAL DAMPER BUTÉE, JOINT CAOUTCHOUC			1	
13	663-45375-00	DAMPER, SEAL BOURRELET, CAOUTCHOUC			1	
14	663-45321-00	PLATE PLAQUETTE			1	
15	93210-49046	O-RING JOINT TORIQUE			1	

FIG. 19 LOWER CASING. DRIVE 3

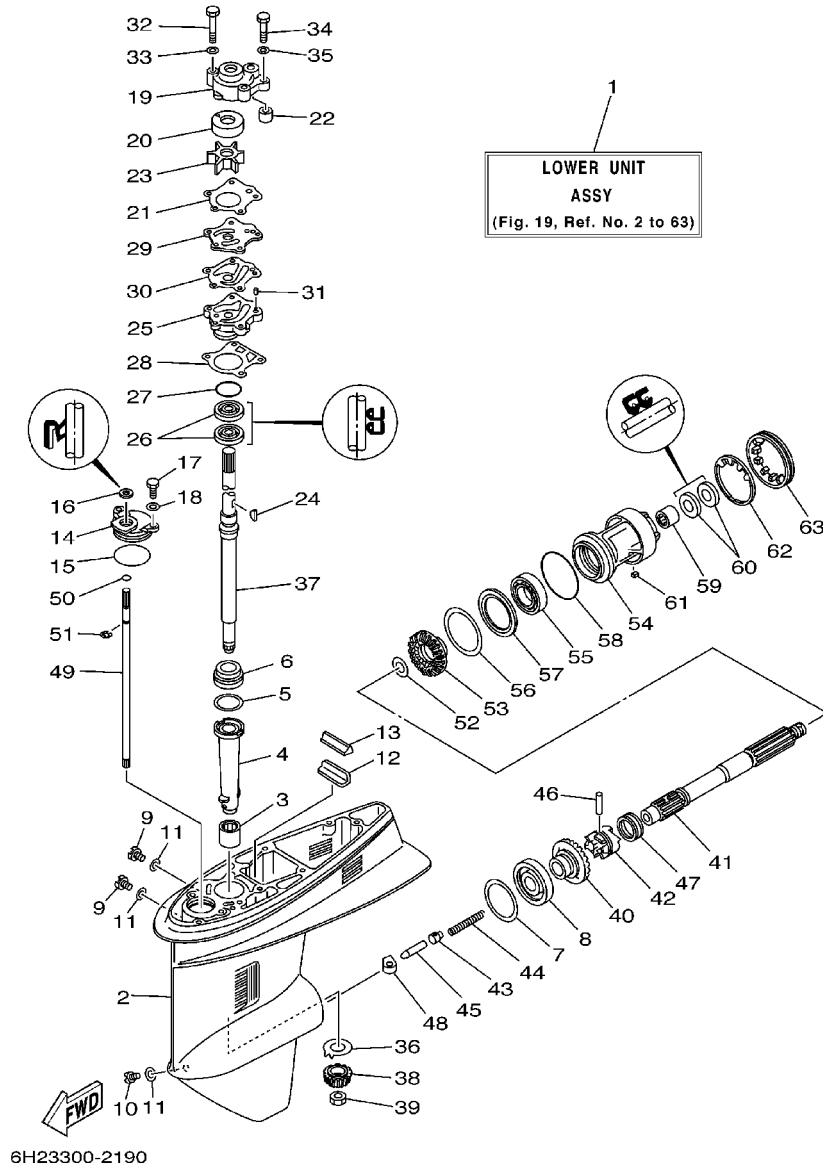
BOITIER D'HELICE, TRANSMISSION 3



REF. NO.	PART NO. NO. PIECES	DESCRIPTION DESCRIPTION	60F	70B	50G	REMARKS REMARQUES
16	93106-09014	OIL SEAL JOINT SPY			1	
17	97095-06016	BOLT BOULON			2	
18	92995-06600	WASHER RONDELLE			2	
19	663-44311-02	HOUSING, WATER PUMP CORPS, POMPE A EAU			1	
20	663-44322-00	INSERT, CARTRIDGE CUVETTE			1	
21	663-44315-A0	GASKET, WATER PUMP JOINT, POMPE A EAU			1	
22	663-44366-00	DAMPER, WATER SEAL JOINT, TUBE D'EAU			1	
23	6H3-44352-00	IMPELLER TURBINE			1	
24	90280-03M03	KEY, WOODRUFF CLAVETTE, DEMI-LUNE			1	
25	663-44341-00-94	HOUSING, WATER PUMP CORPS, POMPE A EAU			1	
26	93101-23070	OIL SEAL JOINT SPY			2	
27	93210-41042	O-RING JOINT TORIQUE			1	
28	663-44316-A0	GASKET, WATER PUMP JOINT, POMPE A EAU			1	
29	663-44323-00	OUTER PLATE, CARTRIDGE PLAQUE EXTERIEURE			1	
30	663-44324-A0	GASKET, CARTRIDGE JOINT			1	
31	93604-08062	PIN, DOWEL CLAVETTE			2	
32	97095-08055	BOLT BOULON			2	
33	92995-08600	WASHER RONDELLE			2	
34	97095-08045	BOLT BOULON			2	
35	92995-08600	WASHER RONDELLE			2	
36	663-45552-00	BEARING, PLAIN COUSSINET, PLAT			1	
37	62F-45501-10	DRIVE SHAFT COMP. ARBRE MOTEUR COMP.			1	L
38	675-45551-00	PINION PIGNON D'ATTAQUE			1	
39	90170-12138	NUT ECROU			1	
40	675-45560-00	GEAR PIGNON			1	
41	697-45611-00	SHAFT, PROPPELLER ARBRE, HELICE			1	
42	663-45631-01	CLUTCH, DOG CRABOT			1	

FIG. 19 LOWER CASING. DRIVE 3

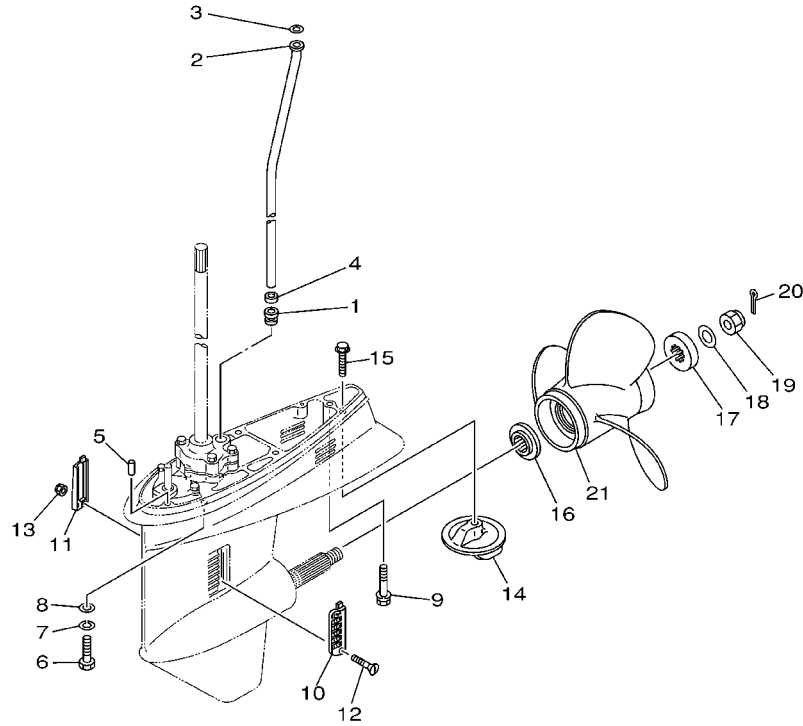
BOITIER D'HELICE, TRANSMISSION 3



REF. NO.	PART NO. NO. PIECES	DESCRIPTION DESCRIPTION	60F	70B	50G	REMARKS REMARQUES
43	663-45634-00	SLIDE, SHIFT CONTRE-POUSSOIR			1	
44	90501-16233	SPRING, COMPRESSION RESSORT, COMPRESSION			1	
45	688-45635-00	PLUNGER, SHIFT POUSSOIR D'EMBRAYAGE			1	
46	90250-06023	PIN, STRAIGHT GOUPILLE, DROITE			1	
47	663-45633-00	RING, CROSS PIN JONC, GOUPILLE CRABOT			1	
48	663-44151-00	CAM, SHIFT CAME, INVERSION			1	
49	6K5-44144-00	ROD, SHIFT TIGE D'EMBRAYAGE			1	
50	93210-07003	O-RING JOINT TORIQUE			1	
51	99001-08600	CIRCLIP CIRCLIP			1	
52	90201-22429	WASHER, PLATE RONDELLE, PLATE			1	
53	675-45571-01	GEAR PIGNON			1	
54	663-45331-00-94	HOUSING, BEARING FLASQUE, ROULEMENT			1	
55	93306-00702	BEARING ROULEMENT			1	
56	663-45577-01-10	SHIM (T:0.10MM) CALE (T:0.10MM)			1	UR
	663-45577-01-12	SHIM (T:0.12MM) CALE (T:0.12MM)			1	UR
	663-45577-01-15	SHIM (T:0.15MM) CALE (T:0.15MM)			1	UR
	663-45577-01-18	SHIM (T:0.18MM) CALE (T:0.18MM)			1	UR
	663-45577-01-30	SHIM (T:0.30MM) CALE (T:0.30MM)			1	UR
	663-45577-01-40	SHIM (T:0.40MM) CALE (T:0.40MM)			1	UR
	663-45577-01-50	SHIM (T:0.50MM) CALE (T:0.50MM)			1	UR
57	663-45576-00	WASHER, THRUST RONDELLE DE CALAGE			1	
58	93210-66M98	O-RING JOINT TORIQUE			1	
59	93317-22204	BEARING PIECE			1	
60	93101-22067	OIL SEAL JOINT SPY			2	
61	90282-04010	KEY, STRAIGHT CLAVETTE, DROITE			1	
62	90214-48M03	WASHER, CLAW RONDELLE, A GRIFFES			1	
63	697-45384-00	NUT ECROU			1	

FIG. 20 LOWER CASING, DRIVE 4

BOITIER D'HELICE, TRANSMISSION 4



REF. NO.	PART NO. NO. PIECES	DESCRIPTION DESCRIPTION	60F	70B	50G	REMARKS REMARQUES
1	663-44367-00	DAMPER, WATER SEAL JOINT TUBE D'EAU			1	
2	6H3-44361-10	TUBE, WATER TUBE D'EAU			1	L
3	90202-12060	WASHER, PLATE RONDELLE, PLATE			1	
4	90430-12072	GASKET JOINT			1	
5	93606-12019	PIN, DOWEL GOUVILLE			2	
6	97075-10040	BOLT BOULON			4	
7	92990-10100	WASHER, SPRING RONDELLE, GROWER			4	
8	92990-10600	WASHER, PLATE RONDELLE, PLATE			4	
9	90119-08M84	BOLT, WITH WASHER BOULON, AVEC RONDELLE			1	
10	688-45214-02	COVER, WATER INLET GRILLE, ENTREE D'EAU			1	
11	688-45215-02	COVER, WATER INLET GRILLE, ENTREE D'EAU			1	
12	90152-05M05	SCREW, COUNTERSUNK VIS, TETE NOYEE			1	
13	90185-05002	NUT, SELF-LOCKING ECROU, AUTO-BLOCANT			1	
14	679-45371-00	TAB-TRIM ANODE DERIVE			1	
15	90105-10M67	BOLT, FLANGE BOULON			1	
16	663-45987-02	SPACER ENTRETOISE			1	
17	670-45997-02	SPACER ENTRETOISE			1	
18	92990-16200	WASHER, PLAIN RONDELLE, PLATE			1	
19	90171-16011	NUT, CASTLE ECROU, CRENELE			1	
20	91490-40025	PIN, COTTER GOUVILLE			1	
21	69W-45945-00-EL	PROPELLER (3X11-1/8"X13"-G) HELICE (3X11-1/8"X13"-G)			1	UR
	663-45952-02-EL	PROPELLER (3X11-3/8"X12"-G) HELICE (3X11-3/8"X12"-G)			1	UR
	6H5-45943-00-EL	PROPELLER (3X10"X15"-G) HELICE (3X10"X15"-G)			1	UR WITH LIP CUP
	6H5-45958-00-EL	PROPELLER (3X10-1/4"X14"-G) HELICE (3X10-1/4"X14"-G)			1	UR WITH LIP CUP
		STAINLESS STEEL PROPELLER ACIER INOXYDABLE HELICE				
	663-45930-00-98	PROPELLER (3X10-1/4"X14"-G) HELICE (3X10-1/4"X14"-G)			1	UR
	663-45976-00-98	PROPELLER (3X10-1/4"X15"-G) HELICE (3X10-1/4"X15"-G)			1	UR

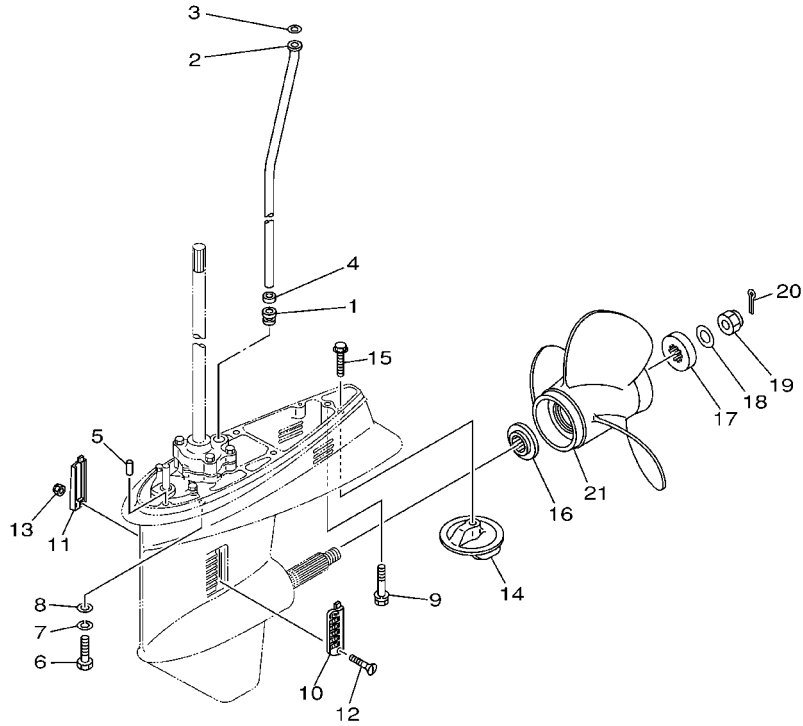
62F0300-0230

A5

FIG. 20 LOWER CASING. DRIVE 4

BOITIER D'HELICE, TRANSMISSION 4

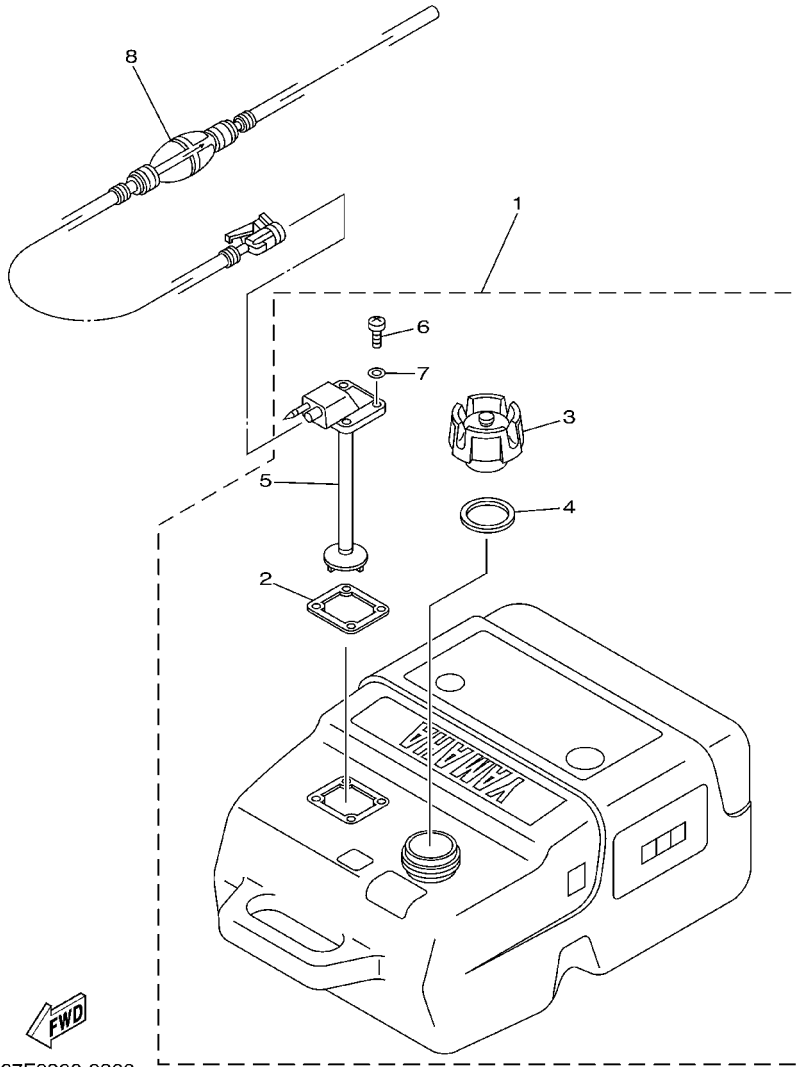
REF. NO.	PART NO. NO. PIECES	DESCRIPTION DESCRIPTION	60F	70B	50G	REMARKS REMARQUES
21	663-45978-00-98	PROPELLER (3X10-1/4"X16"-G) HELICE (3X10-1/4"X16"-G)			1	UR
	663-45970-60-98	PROPELLER (3X11-3/4"X12"-G) HELICE (3X11-3/4"X12"-G)			1	UR
	663-45972-60-98	PROPELLER (3X12"X11"-G) HELICE (3X12"X11"-G)			1	UR
	663-45974-60-98	PROPELLER (3X11-1/2"X13"-G) HELICE (3X11-1/2"X13"-G)			1	UR



62F0300-0230

FIG. 21 FUEL TANK

RESERVOIR A CARBURANT

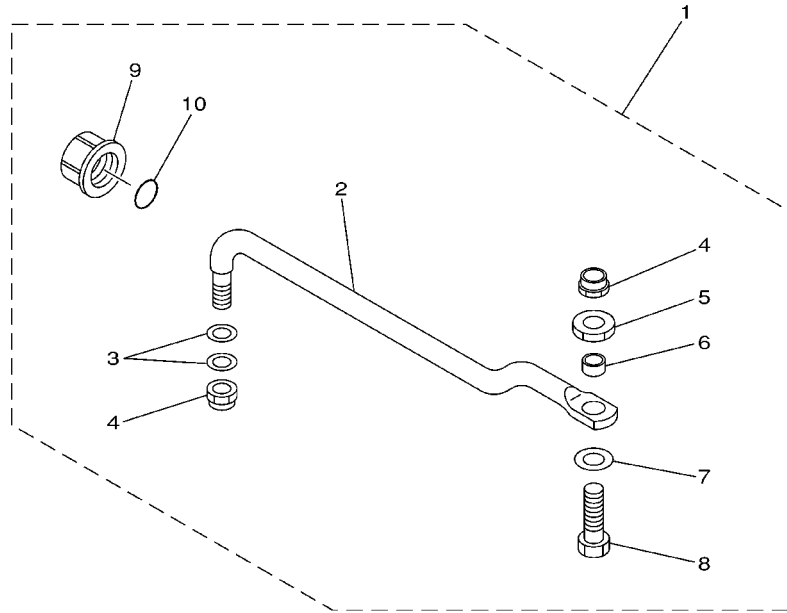


67F0300-9300

REF. NO.	PART NO. NO. PIECES	DESCRIPTION DESCRIPTION	60F	70B	50G	REMARKS REMARQUES
1	6YK-24201-01	FUEL TANK ASSY RESERVOIR A ESSENCE (ENS.)	1	1	1	AP PLASTIC, 25L
2	6YL-24268-01	.GASKET, FUEL METER .JOINT, JAUGE A CARBURANT	1	1	1	
3	6YK-24610-00	.CAP ASSY .BOUCHON	1	1	1	WITH INDICATOR
4	6YL-24641-00	.GASKET, CAP 1 .JOINT 1, BOUCHON	1	1	1	
5	6YK-24260-01	.FUEL METER ASSY .INDICATEUR DE CARBURANT	1	1	1	
6	90157-05M16	.SCREW, PAN HEAD .VIS, TETE TRONCONIQUE	4	4	4	
7	6YL-24329-00	.SEAL .JOINT	4	4	4	
8	6YL-24306-52	FUEL PIPE COMP. 1 DURITE A ESSENCE 1	1	1	1	AP

FIG. 22 STEERING GUIDE

FIXATION DE DIRECTION

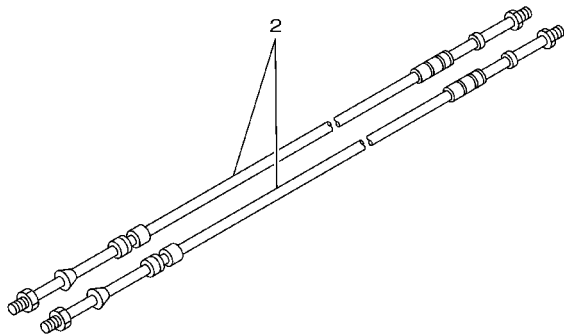
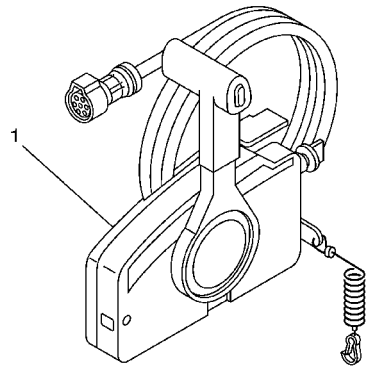


REF. NO.	PART NO. NO. PIECES	DESCRIPTION DESCRIPTION	60F	70B	50G	REMARKS REMARQUES
1	688-61350-10	STEERING GUIDE ATTACHMENT KIT FIXATIONS DE DIRECTION	1	1	1	AP
2	688-61351-10	.ROD, STEERING LINK .RENOI DE DIRECTION	1	1	1	
3	90201-10M20	.WASHER, PLATE .RONDELLE, PLATE	2	2	2	
4	90185-09M01	.NUT, SELF-LOCKING .ECROU, AUTO-BLOCANT	2	2	2	
5	90170-09M03	.NUT .ECROU	1	1	1	
6	90387-10M42	.COLLAR .COLLERETTE	1	1	1	
7	90201-10M63	.WASHER, PLATE .RONDELLE, PLATE	1	1	1	
8	6E5-61355-00	.BOLT .BOULON	1	1	1	
9	6E5-43145-01	.CAP, CLAMP BRACKET .CAPUCHON, PRESSE	1	1	1	
10	93210-16275	.O-RING .JOINT TORIQUE	1	1	1	

6880700-9190

FIG. 23 REMOTE CONTROL BOX

BOITIER DE COMMANDE A DISTANCE



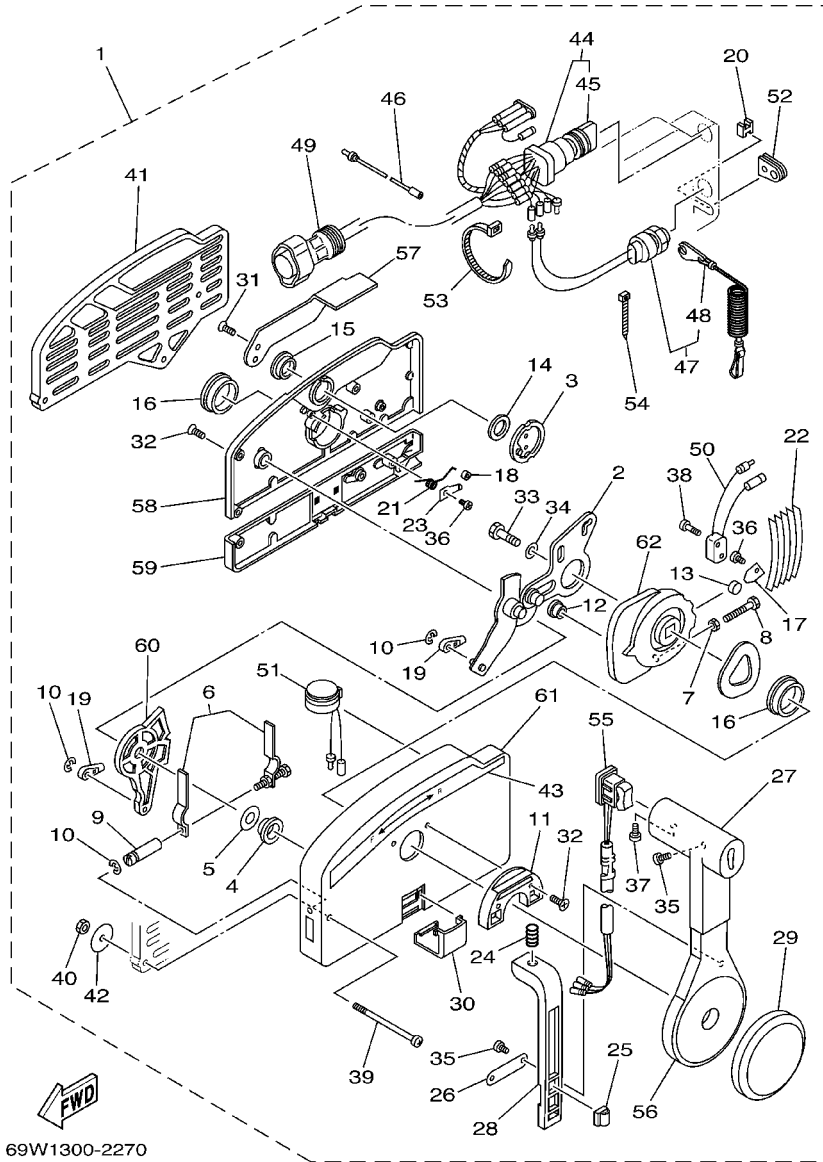
REF. NO.	PART NO. NO. PIECES	DESCRIPTION DESCRIPTION	60F	70B	50G	REMARKS REMARQUES
1	703-48207-17	REMOTE CONTROL ASSY BOITIER DE COMMANDE A DISTANCE	1	1	1	AP WITH PT/T SW.
2	701-48320-00	CABLE, REMOTE CONTROL L=12F CABLE, COMMANDE A DISTANCE:12F	2	2	2	UR
	701-48320-20	CABLE, REMOTE CONTROL L=13F CABLE, COMMANDE A DISTANCE:13F	2	2	2	UR
	701-48320-30	CABLE, REMOTE CONTROL L=14F CABLE, COMMANDE A DISTANCE:14F	2	2	2	UR
	701-48320-50	CABLE, REMOTE CONTROL L=15F CABLE, COMMANDE A DISTANCE:15F	2	2	2	UR
	701-48320-60	CABLE, REMOTE CONTROL L=16F CABLE, COMMANDE A DISTANCE:16F	2	2	2	UR
	701-48320-80	CABLE, REMOTE CONTROL L=17F CABLE, COMMANDE A DISTANCE:17F	2	2	2	UR



67M0100-8280

FIG. 24 REMOTE CONTROL ASSY

BOITIER DE COMMANDE A DISTANCE

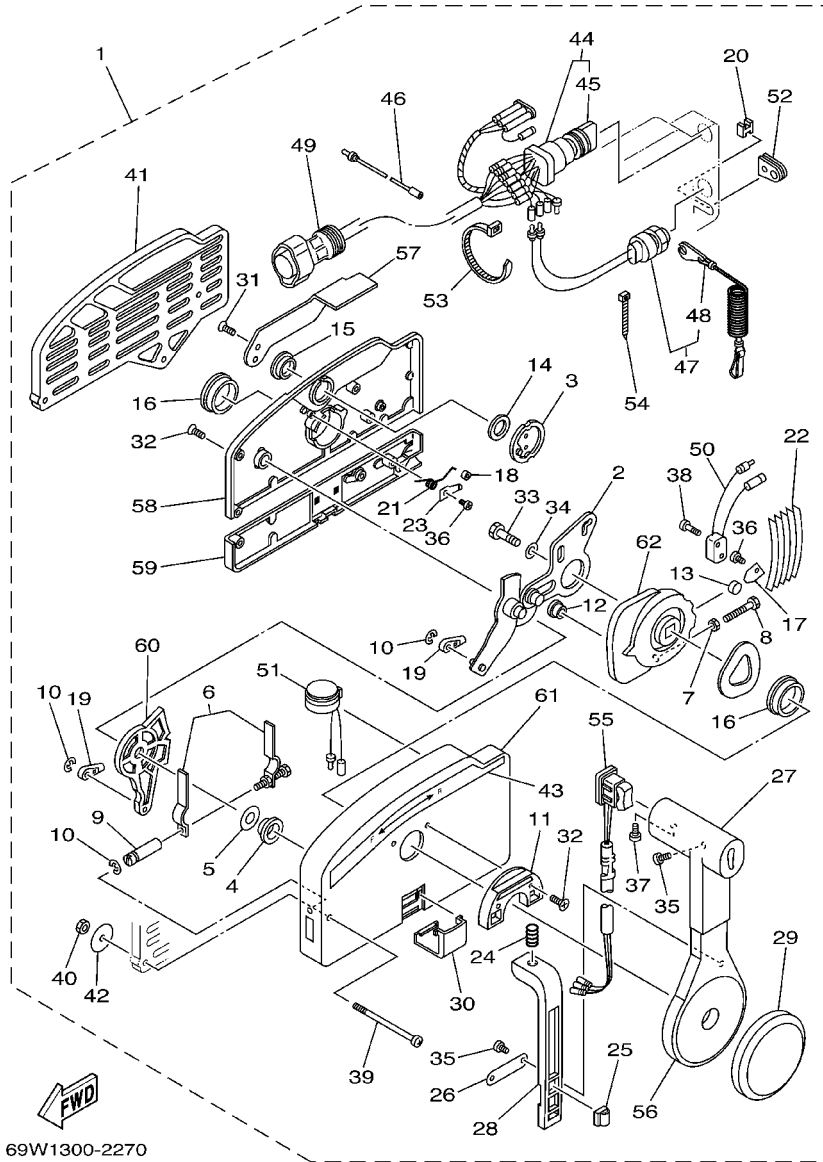


69W1300-2270

REF. NO.	PART NO. NO. PIECES	DESCRIPTION DESCRIPTION	60F	70B	50G	REMARKS REMARQUES
1	703-48207-17	REMOTE CONTROL ASSY BOITIER DE COMMANDE A DISTANCE	1	1	1	AP WITH PT/T SW.
2	703-48261-01	.ARM, THROTTLE .BRAS, ACCELERATION	1	1	1	
3	703-48153-00	.SHAFT, FREE ACCEL. .AXE	1	1	1	
4	703-48235-00	.BUSHING .COUSSINET	1	1	1	
5	703-48268-00	.SPACER .ENTRETOISE	1	1	1	
6	703-48264-00	.THROTTLE, FRICTION .ACCELERATION	1	1	1	
7	95380-05600	.NUT .ECROU	1	1	1	
8	97380-05025	.BOLT .BOULON, HEXAGONAL	1	1	1	
9	703-48265-00	.SHAFT, FRICTION .AXE, COPILOTE	1	1	1	
10	93430-06024	.CIRCLIP .CLIPS	3	3	3	
11	703-48245-00	.PLATE, LOCK .PLAQUE, VERROU	1	1	1	
12	703-48252-00	.ROLLER, CAM .POULIE	1	1	1	
13	701-48248-00	.ROLLER, FREE ACCEL. .POULIE	1	1	1	
14	703-48198-00	.WASHER, WAVE .RONDELLE, ELASTIQUE ONDULEE	1	1	1	
15	703-48243-00	.BUSHING .COUSSINET	1	1	1	
16	703-48236-00	.BUSHING 1 .POULIE	2	2	2	
17	703-48189-00	.RETAINER .FLASQUE	1	1	1	
18	703-48234-00	.ROLLER, DETENT .POULIE	1	1	1	
19	703-48345-01	.CABLE END, REMOTE CONTROL 2 .CHAPE CABLE	2	2	2	
20	703-48358-00	.ANCHOR, CABLE .COLLIER	1	1	1	
21	703-48244-00	.SPRING, FREE ACCEL. .RESSORT	1	1	1	
22	703-48238-00	.SPRING, DETENT .RESSORT	5	5	5	
23	703-48246-00	.SPACER .ENTRETOISE	1	1	1	
24	703-48227-00	.SPRING, NEUTRAL LOCK .RESSORT	1	1	1	
25	703-82594-00	.CLAMP .BRIDE	1	1	1	WITH PT/T SW.
26	703-48226-00	.PLATE, STOPPER .PLAQUETTE	1	1	1	
27	703-48222-00	.GRIP, CONTROL LEVER .POIGNEE, COMMANDE LEVIER	1	1	1	SINGLE

FIG. 24 REMOTE CONTROL ASSY

BOITIER DE COMMANDE A DISTANCE

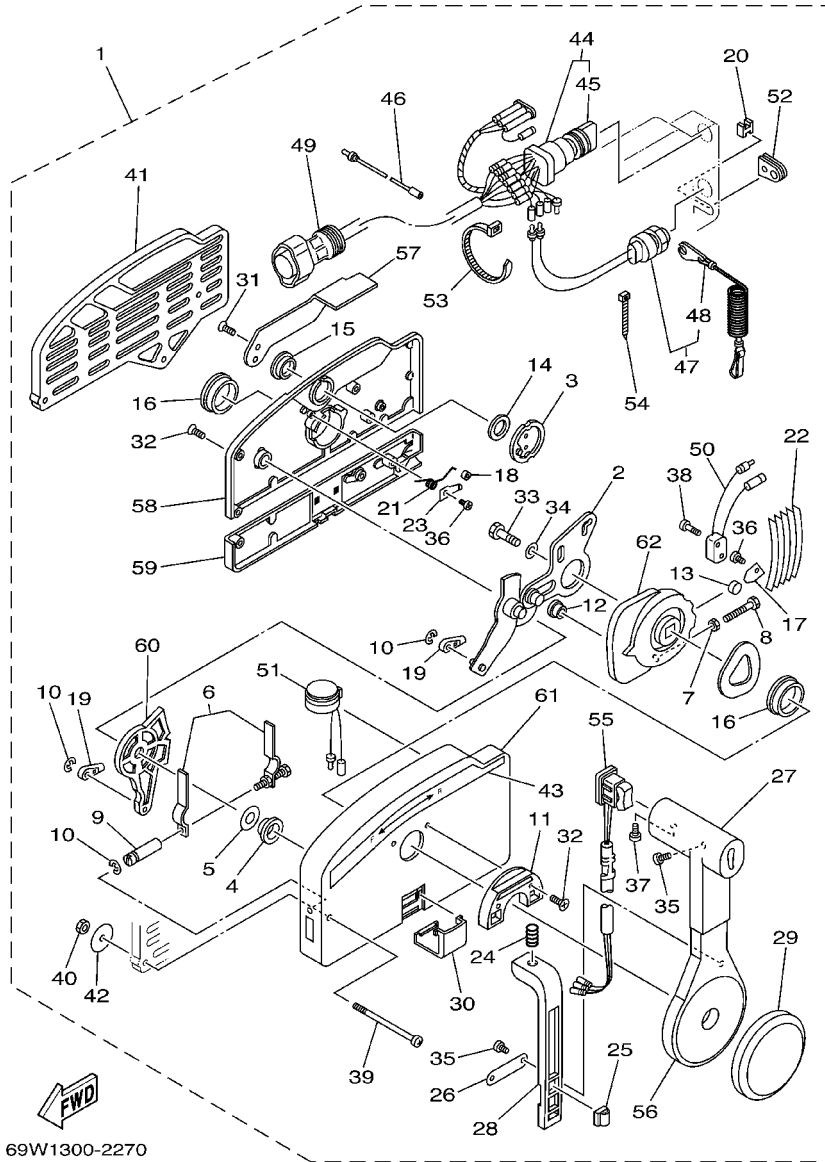


69W1300-2270

REF. NO.	PART NO. NO. PIECES	DESCRIPTION DESCRIPTION	60F	70B	50G	REMARKS REMARQUES
28	703-48223-00	.LOCK, NEUTRAL .VERROU, NEUTRAL	1	1	1	
29	703-48225-00	.COVER .COUVERCLE	1	1	1	
30	703-48219-00	.COVER, LEAD .COUVERCLE	1	1	1	
31	703-48281-00	.SCREW .VIS	2	2	2	
32	703-48282-00	.SCREW .VIS	7	7	7	
33	97380-08030	.BOLT .BOULON, HEXAGONAL	1	1	1	
34	92990-08600	.WASHER, PLATE .RONDELLE, PLATE	1	1	1	
35	98580-04010	.SCREW, PAN HEAD .VIS	3	3	3	
36	98580-04006	.SCREW, PAN HEAD .VIS	2	2	2	
37	98580-05010	.SCREW, PAN HEAD .VIS	1	1	1	
38	98580-03015	.SCREW, PAN HEAD .VIS	2	2	2	
39	703-48291-10	.SCREW (M6) .VIS (M6)	3	3	3	
40	95380-06600	.NUT, HEXAGON .ECROU	3	3	3	
41	703-48293-10	.SPACER, REMOTE CONTROL .ENTRETOISE	1	1	1	SINGLE
42	701-48287-00	.WASHER .RONDELLE	3	3	3	
43	703-48215-00	.GRAPHIC .ADHESIF	1	1	1	
44	703-82510-43	.MAIN SWITCH ASSY .CONTACTEUR A CLEF COMPLET	1	1	1	
45	703-82577-00	.CAP, KEY .CABOCHON	1	1	1	
46	703-82531-00	.WIRE, LEAD .FIL	1	1	1	
47	688-82575-01	.ENGINE STOP SWITCH ASSY .COUPE CIRCUIT CPLT	1	1	1	
48	682-82556-00	.STOPPER .PLAQUETTE	1	1	1	
49	688-8258A-20	.EXTENSION, WIRE HARNESS .EXTENSION, FAISCEAU DE FILS	1	1	1	L:5M (10P)
50	703-82540-00	.NEUTRAL SWITCH ASSY .CONTACTEUR DE POINT-MORT	1	1	1	
51	703-83383-A0	.BUZZER .RONFLEUR	1	1	1	
52	703-48284-10	.GROMMET .PASSE-FIL	1	1	1	
53	703-82591-00	.BAND .COLLIER	3	3	3	
54	703-82592-00	.BAND .COLLIER	1	1	1	

FIG. 24 REMOTE CONTROL ASSY

BOITIER DE COMMANDE A DISTANCE

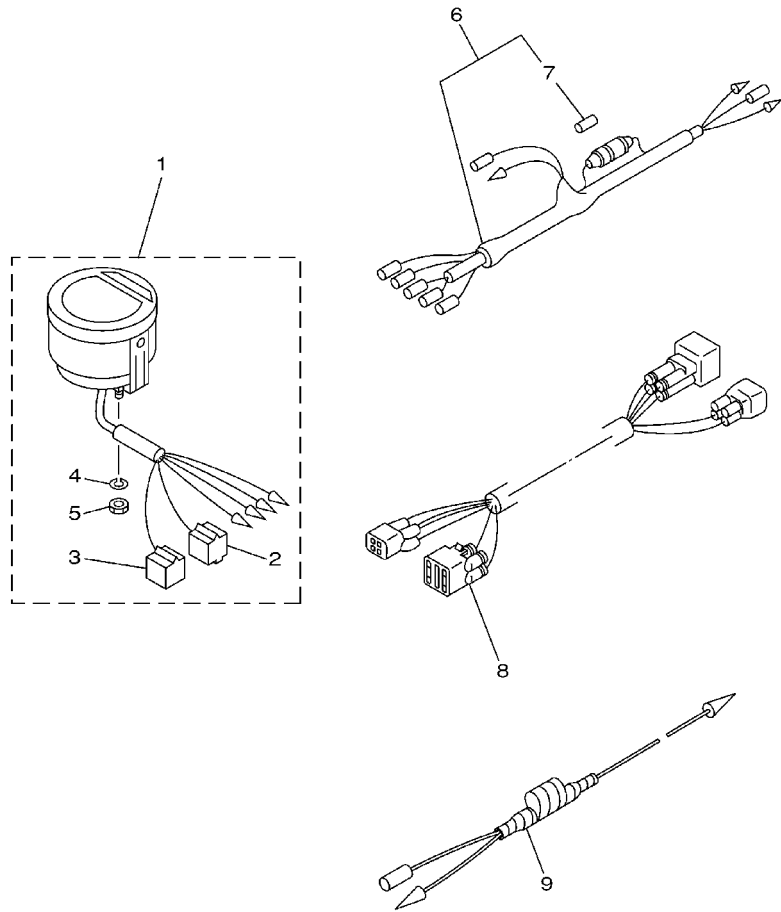


69W1300-2270

REF. NO.	PART NO. NO. PIECES	DESCRIPTION DESCRIPTION	60F	70B	50G	REMARKS REMARQUES
55	703-82563-12	.TRIM & TILT SWITCH ASSY .INCLINER ET PARER COMMUTATEUR	1	1	1	
56	703-48221-00	.LEVER, CONTROL .LEVIER, COMMANDE	1	1	1	
57	703-48152-00	.KNOB, FREE ACCEL. .BOUTON	1	1	1	
58	703-48212-00	.BACK PLATE 1 .PLAQUETTE 1	1	1	1	
59	703-48213-00	.BACK PLATE 2 .PLAQUETTE 2	1	1	1	
60	703-48271-00	.ARM, SHIFT .BRAS	1	1	1	
61	703-48211-01	.HOUSING,1 .CORPS	1	1	1	
62	703-48232-00	.GEAR .PIGNON	1	1	1	

FIG. 25 METER

COMPTEUR



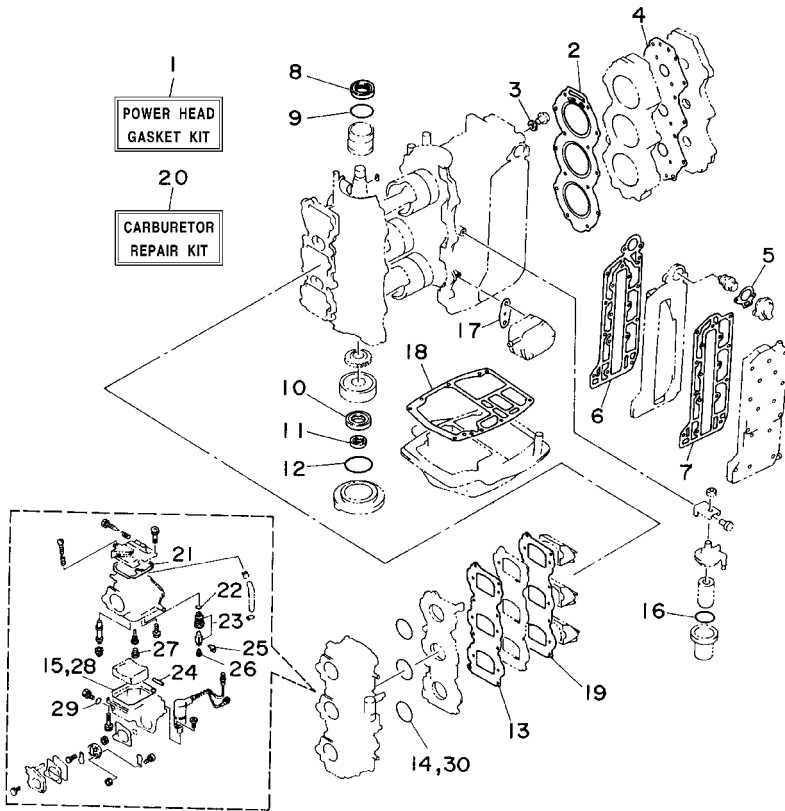
REF. NO.	PART NO. NO. PIECES	DESCRIPTION DESCRIPTION	60F	70B	50G	REMARKS REMARQUES
1	6Y5-8350T-02	TACHOMETER ASSY COMPTE-TOURS CPLT	1	1	1	AP
2	9E450-04433	.CONNECTOR .CONNECTEUR	1	1	1	M-4-W
3	9E450-04533	.CONNECTOR .CONNECTEUR	1	1	1	F-4-W
4	92990-04100	.WASHER, SPRING .RONDELLE, GROWER	2	2	2	
5	95380-04600	.NUT .ECROU	2	2	2	
6	6Y5-83553-00	WIRE, LEAD FIL	1	1	1	AP
7	1E6-82151-00	.FUSE (10A) .FUSIBLE (10A)	1	1	1	
8	68F-82553-70	EXTENSION, WIRE LEAD EXTENSION, FAISCEAU	1	1	1	AP
9	6H4-81315-11	LEAD WIRE ASSY FIL	1	1	1	AP

6H31100-2230

FIG. 26 REPAIR KIT 1

KITS DE REPARATION 1

REF. NO.	PART NO. NO. PIECES	DESCRIPTION DESCRIPTION	60F	70B	50G	REMARKS REMARQUES
1	6H3-W0001-02	POWER HEAD GASKET KIT KIT DE JOINTS TETE MOTRICE	1	1		AUTO CHOKE
	62F-W0001-01	POWER HEAD GASKET KIT KIT DE JOINTS TETE MOTRICE			1	
2	6H3-11181-A1	.GASKET, CYLINDER HEAD 1 .JOINT, DE CULASSE 1	1	1	1	
3	90430-14115	.GASKET .JOINT	1	1	1	
4	6H3-11193-A1	.GASKET, HEAD COVER 1 .JOINT, COUVERCLE DE CULASSE 1	1	1	1	
5	6H3-12414-A1	.GASKET, COVER .JOINT, COUVERCLE	1	1	1	
6	6H3-41112-A0	.GASKET, EXHAUST INNER COVER .JOINT, PLAQUE D'ECHAPPEMENT	1	1	1	
7	6H3-41114-A0	.GASKET, EXHAUST OUTER COVER .JOINT, COUVERCLE D'ECHAPPEMEN	1	1	1	
8	93102-36M24	.OIL SEAL .JOINT SPY	1	1	1	
9	93210-46M16	.O-RING .JOINT TORIQUE	1	1	1	
10	93102-30M23	.OIL SEAL .JOINT SPY	1	1	1	
11	93106-18M01	.OIL SEAL .JOINT SPY	1	1	1	
12	93210-65M50	.O-RING .JOINT TORIQUE	1	1	1	
13	6H3-13621-A1	.GASKET, VALVE SEAT .JOINT, SIEGE DE CLAPET	1	1	1	
14	93210-39ME4	.O-RING .JOINT TORIQUE	3	3		
	6H4-14198-01	.GASKET .JOINT			3	
15	6H4-14984-00	.GASKET, FLOAT CHAMBER .JOINT, CUVE DE FLOTTEUR	3	3	3	
16	93210-32738	.O-RING .JOINT TORIQUE	1	1	1	
17	650-24431-A0	.GASKET, FUEL PUMP 1 .JOINT 1 DE POMPE A ESSENCE	1	1	1	
18	6H3-45113-A0	.GASKET, UPPER CASING .JOINT, TUBE D'ARBRE	1	1	1	
19	6H3-13622-A1	.GASKET, VALVE SEAT .JOINT, SIEGE DE CLAPET	1	1	1	
20	6H2-W0093-10	CARBURETOR REPAIR KIT KIT DE REPARATION CARBURATEUR	1	1		AUTO CHOKE
	62F-W0093-00	CARBURETOR REPAIR KIT KIT DE REPARATION CARBURATEUR			1	
21	6H4-14147-00	.O-RING .JOINT TORIQUE	1	1	1	
22	93210-04228	.O-RING .JOINT TORIQUE	1	1	1	
23	6H3-14590-01	.NEEDLE VALVE ASSY .POINTEAU	1	1		
	6H4-14590-01	.NEEDLE VALVE ASSY .POINTEAU			1	

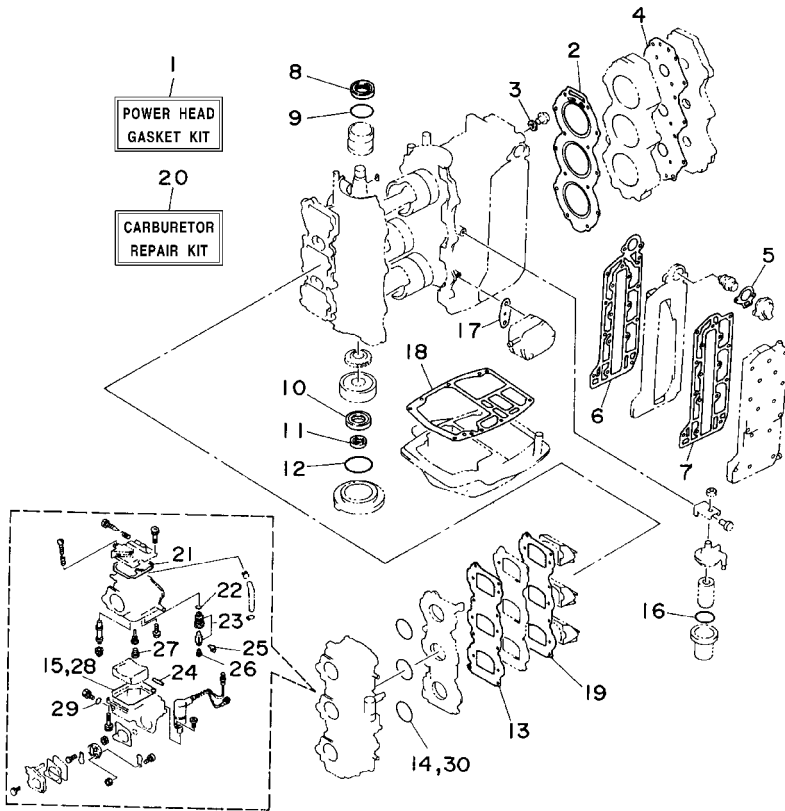


6H30010-4230

FIG. 26 REPAIR KIT 1

KITS DE REPARATION 1

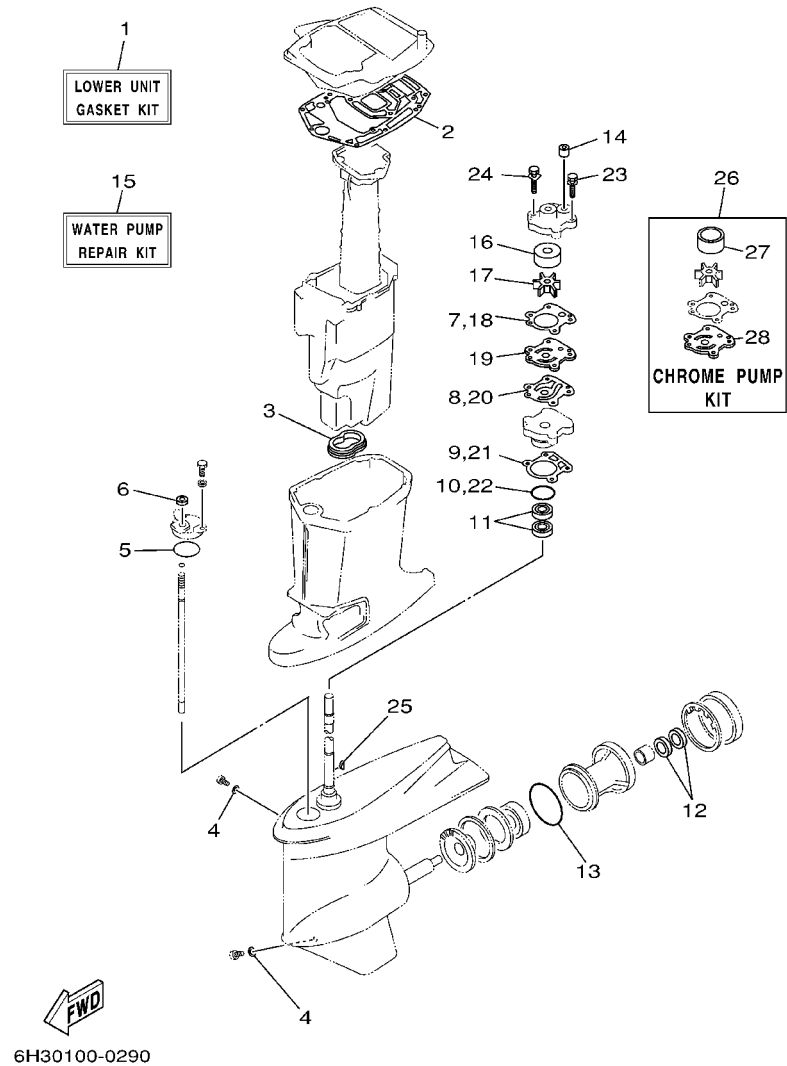
REF. NO.	PART NO. NO. PIECES	DESCRIPTION DESCRIPTION	60F	70B	50G	REMARKS REMARQUES
24	6H4-14548-00	.PIN, FLOAT ARM .AXE, BRAS DE FLOTTEUR	1	1	1	
25	663-14159-00	.CLIP .JONC	1	1	1	
26	676-14186-00	.PIN, FLOAT .AXE, FLOTTEUR	1	1	1	
27	676-14966-00	.CAP .CAPUCHON	1	1	1	
28	6H4-14984-00	.GASKET, FLOAT CHAMBER .JOINT, CUVE DE FLOTTEUR	1	1	1	
29	93210-04230	.O-RING .JOINT TORIQUE	1	1	1	
30	93210-39ME4	.O-RING .JOINT TORIQUE	1	1		
	6H4-14198-01	.GASKET .JOINT			1	



6H30010-4230

FIG. 27 REPAIR KIT 2

KITS DE REPARATION 2

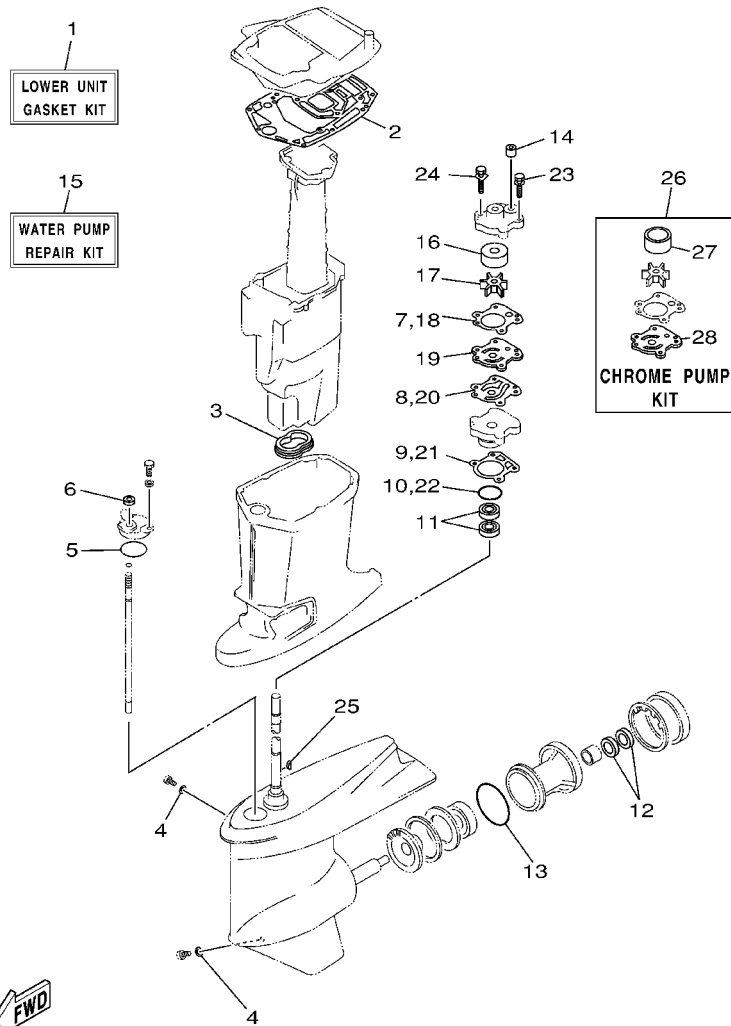


REF. NO.	PART NO. NO. PIECES	DESCRIPTION DESCRIPTION	60F	70B	50G	REMARKS REMARQUES
1	6H3-W0001-22	LOWER UNIT GASKET KIT	1	1		
	62F-W0001-20	POCHETTE DE JOINTS EMBASE			1	
2	6H3-45114-A1	.GASKET, UPPER CASING	1	1	1	
3	6H3-45123-00	.JOINT, TUBE D'ARBRE	1	1	1	
4	90430-08020	.GASKET, MUFFLER	1	1	1	
	90430-08020	.JOINT, POT DE DETENTE	2	2		
5	93210-49046	.GASKET			3	
	93210-49046	.JOINT	1	1	1	
6	93106-09014	.O-RING	1	1	1	
	93106-09014	.JOINT TORIQUE	1	1	1	
7	6H3-44315-A0	.OIL SEAL	1	1		
	663-44315-A0	.JOINT SPY			1	
8	6H3-44324-A0	.GASKET, WATER PUMP	1	1		
	663-44324-A0	.JOINT, POMPE A EAU			1	
9	688-44316-A0	.GASKET, WATER PUMP	1	1		
	663-44316-A0	.JOINT, POMPE A EAU			1	
10	93210-46044	.GASKET, CARTRIDGE	1	1		
	93210-46044	.JOINT			1	
11	93101-23070	.GASKET, CARTRIDGE	1	1		
	93101-23070	.JOINT			1	
12	93101-25M03	.GASKET, WATER PUMP	2	2	2	
	93101-25M03	.JOINT, POMPE A EAU	2	2		
13	93210-85M97	.GASKET, WATER PUMP	1	1		
	93210-85M97	.JOINT, POMPE A EAU			1	
14	663-44366-00	.O-RING	1	1		
	663-44366-00	.JOINT TORIQUE	1	1	1	
15	6H3-W0078-02	.DAMPER, WATER SEAL	1	1	1	
	62F-W0078-00	.JOINT, TUBE D'EAU	1	1		
16	663-44322-00	WATER PUMP REPAIR KIT	1	1		
	663-44322-00	KIT DE REPARATION DE LA POMPE			1	
17	6H3-44352-00	.INSERT, CARTRIDGE	1	1	1	
	6H3-44352-00	.CUVETTE	1	1		
18	6H3-44315-A0	.IMPELLÉR	1	1	1	
	6H3-44315-A0	.TURBINE	1	1		
	6H3-44315-A0	.GASKET, WATER PUMP	1	1		
	6H3-44315-A0	.JOINT, POMPE A EAU			1	

FIG. 27 REPAIR KIT 2

KITS DE REPARATION 2

REF. NO.	PART NO. NO. PIECES	DESCRIPTION DESCRIPTION	60F	70B	50G	REMARKS REMARQUES
18	663-44315-A0	.GASKET, WATER PUMP .JOINT, POMPE A EAU			1	
19	6H3-44323-00	.OUTER PLATE, CARTRIDGE .PLAQUE EXTERIEURE	1	1		
	663-44323-00	.OUTER PLATE, CARTRIDGE .PLAQUE EXTERIEURE			1	
20	6H3-44324-A0	.GASKET, CARTRIDGE .JOINT	1	1		
	663-44324-A0	.GASKET, CARTRIDGE .JOINT			1	
21	688-44316-A0	.GASKET, WATER PUMP .JOINT, POMPE A EAU	1	1		
	663-44316-A0	.GASKET, WATER PUMP .JOINT, POMPE A EAU			1	
22	93210-46044	.O-RING .JOINT TORIQUE	1	1		
	93210-41042	.O-RING .JOINT TORIQUE			1	
23	90119-08M14	.BOLT, WITH WASHER .BOULON, AVEC RONDELLE	2	2		
	97095-08045	.BOLT .BOULON			2	
24	90119-08M33	.BOLT, WITH WASHER .BOULON, AVEC RONDELLE	2	2		
	97095-08055	.BOLT .BOULON			2	
25	90280-03M03	.KEY, WOODRUFF .CLAVETTE, DEMI-LUNE	1	1	1	
26	6H3-W0078-1A	CHROME PUMP KIT KIT DE POMPE A EAU CHROMEE	1	1		
27	663-44322-40	.INSERT, CARTRIDGE .CUVETTE	1	1		
28	6H3-44323-40	.OUTER PLATE, CARTRIDGE .PLAQUE EXTERIEURE	1	1		



6H30100-0290

NUMERICAL INDEX
INDEX NUMERIQUE

PART NO. NO. PIECES	REF. NO.	PART NO. NO. PIECES	REF. NO.	PART NO. NO. PIECES	REF. NO.	PART NO. NO. PIECES	REF. NO.	PART NO. NO. PIECES	REF. NO.	PART NO. NO. PIECES	REF. NO.
6H3-W0001-02	26 - 1	6H1-13435-00	6 - 41	697-14555-00	5 - 12	6YL-24306-52	21 - 8	6H3-41213-10	12 - 23	6H3-42727-00	11 - 19
6H3-W0001-22	27 - 1	6H3-13436-00	1 - 18	6H4-14567-00	5 - 30	663-24312-01	2 - 41	6H3-41217-00	4 - 13	6H3-42738-01-5B	11 - 16
62F-W0001-01	26 - 1	6H3-13436-40	1 - 18	6H2-14578-00	5 - 7	6H3-24313-00	7 - 33	6E9-41237-00	6 - 24	6H3-42741-01-4D	11 - 31
62F-W0001-20	27 - 1	6H3-13437-21	8 - 21	6H3-14590-01	5 - 14	6H3-24314-00	7 - 35	6F5-41237-00	12 - 15	6G1-42748-00	11 - 30
688-W0004-00	4 - 2	6H2-13610-00	4 - 1		26 - 23	6YL-24329-00	21 - 7	6H1-41237-00	6 - 20	6H3-42768-00	11 - 23
6H3-W0070-30	1 - 17	6H3-13610-00	4 - 1	6H4-14590-01	5 - 14	6E5-24367-01	11 - 24		12 - 14	6H3-42771-01-4D	11 - 32
6H3-W0078-02	27 - 15	6H3-13621-A1	4 - 7		26 - 23		11 - 37	6H4-41237-00	12 - 21	6G5-42791-10	11 - 40
6H3-W0078-1A	27 - 26		26 - 13	6H3-14711-10-5B	16 - 14	6E5-24378-00	6 - 54	682-41237-00	12 - 2	6H3-42813-00	11 - 7
62F-W0078-00	27 - 15	6H3-13622-A1	4 - 9	6H3-14737-10	16 - 20	650-24378-00	2 - 6	6H3-41241-01	6 - 19	6H3-42815-01-4D	11 - 3
6H3-W0090-44-1S	2 - 1		26 - 19	692-14923-00	5 - 11	688-24378-00	7 - 32	6H3-41631-00	12 - 4	6H3-42816-00	11 - 9
62F-W0090-12-1S	2 - 1	6H3-13624-00-94	4 - 8	6H3-14943-35	5 - 21	692-24410-00	7 - 15	6H3-41632-20	12 - 10	6H3-42817-01-4D	11 - 4
6H2-W0093-10	26 - 20	6H3-13641-13-94	4 - 5	6H3-14943-36	5 - 21	6H3-24411-10	5 - 40	6H3-41633-10	12 - 12	6H3-42818-00	11 - 10
62F-W0093-00	26 - 20	62F-13641-10-94	4 - 5	6H3-14943-37	5 - 21	663-24411-00	7 - 20	6H3-41636-10-94	12 - 16	6H1-43111-01-4D	13 - 1
656-W2810-02	7 - 38	6H3-14137-00	5 - 31	676-14943-32	5 - 21	692-24411-00	7 - 17	689-42169-01	12 - 1	6H1-43112-00-4D	13 - 11
6H3-11111-01-1S	2 - 25	6H3-14146-10	5 - 9	6H2-14947-71	5 - 20	6A0-24412-02	7 - 26		12 - 20	6E5-43126-02	13 - 35
62F-11111-00-1S	2 - 25	6H4-14146-00	5 - 8	6H3-14947-71	5 - 20	6A0-24413-00	7 - 16	6H3-42510-12-4D	14 - 3	688-43131-03	13 - 21
688-11119-01	2 - 21	6H4-14147-00	5 - 10	62F-14947-00	5 - 20	6H4-24413-00	5 - 38	624-42542-00	6 - 47	6G5-43144-00	13 - 42
6H3-11181-A1	2 - 26		26 - 21	6H3-14948-13	5 - 23	6A0-24421-01	7 - 24	6H2-42610-80-4D	1 - 1	6E5-43145-01	22 - 9
	26 - 2	663-14159-00	5 - 17	6H3-14948-17	5 - 23	6L5-24421-00	5 - 37	6H3-42610-50-4D	1 - 1	6G5-43145-01	13 - 25
6H3-11191-00-1S	2 - 27		26 - 25	6H4-14948-13	5 - 23	650-24431-A0	7 - 27	62F-42610-40-4D	1 - 1	6G5-43148-00	13 - 40
6H3-11193-A1	2 - 28	676-14186-00	5 - 18	676-14966-00	5 - 22		26 - 17	6H3-42613-01-4D	1 - 11	688-43160-01	13 - 31
	26 - 4		26 - 26		26 - 27	6H3-24434-10	5 - 41	6H3-42615-00	1 - 14	688-43165-00	13 - 32
6H3-11325-01	2 - 17	6H4-14198-01	4 - 12	6H3-14980-10	5 - 28	648-24434-01	7 - 18	6H3-42617-10	1 - 19	6H1-43181-01	13 - 26
6H3-11327-00-1S	2 - 18		26 - 14	6H4-14980-00	5 - 27	648-24435-02	7 - 21	6H3-42619-00	1 - 20	6H1-43185-01	13 - 27
6H3-11328-00	2 - 19		26 - 30	6H4-14984-00	5 - 24	6H3-24452-10	5 - 29	6H3-42627-00	1 - 21	6H1-43311-01-4D	13 - 16
650-11370-01	2 - 4	6H2-14301-0A	5 - 1		26 - 15	6H4-24486-00	5 - 39	6H3-42637-00	1 - 22	6H1-43376-00	14 - 39
688-11370-01	2 - 3	6H3-14301-0A	5 - 1	6H4-14985-01	5 - 19	61N-24521-00	7 - 8	6H3-42647-00-94	1 - 3	6H1-4380F-10	15 - 7
6H3-11400-10	3 - 7	62F-14301-00	5 - 1	6H3-14992-00	5 - 25	61N-24560-00	7 - 6	6H3-42649-00-94	1 - 4	6H1-4380G-10	15 - 15
6H3-11536-00	3 - 12	6H2-14302-0A	5 - 2	6H3-15100-14-1S	2 - 2	61N-24563-00	7 - 7	6H3-42652-00	1 - 6	6H1-4380H-10	15 - 13
6H3-11537-01	6 - 15	6H3-14302-0A	5 - 2	648-24566-02	7 - 10	648-24566-02	7 - 10	663-42662-00	1 - 5	6H1-4380J-10	15 - 8
6K5-11601-02	3 - 15	62F-14302-00	5 - 2	62F-15100-12-1S	2 - 2	6YK-24610-00	21 - 3	6H2-42677-50	1 - 15	6H1-43800-17-4D	15 - 1
6K5-11601-12	3 - 15	6H2-14303-0A	5 - 3	6H3-15359-00-94	3 - 1	6H1-24633-00	6 - 38	6H3-42677-50	1 - 15	62F-43800-04-4D	15 - 1
6K5-11601-22	3 - 15	6H3-14303-0A	5 - 3	6H3-21707-06	6 - 25	6YL-24641-00	21 - 4	62F-42677-40	1 - 15	67F-43802-00	15 - 39
6H3-11631-01-96	3 - 14	62F-14303-00	5 - 3	6H3-21732-00	1 - 24	6A1-28176-00	11 - 41	6H2-42678-30	1 - 16	6H1-43804-10	15 - 4
6H3-11633-00	3 - 16	6A0-14325-00	7 - 25	6H3-21735-00	1 - 25	6E0-28193-00-94	7 - 39	6H3-42678-30	1 - 16	6H1-43805-10	15 - 3
688-11634-10	3 - 17	6H3-14349-00	4 - 16	6J8-21744-00	6 - 52	6H2-28199-7P-A0	7 - 40	62F-42678-30	1 - 16	6H1-43810-11	15 - 20
6H3-11635-01	3 - 14		5 - 32	63D-2175R-00	6 - 34	6H2-28199-7P-B0	7 - 40	6H3-42681-30	1 - 28	6H1-43812-00	15 - 24
6H3-11636-01	3 - 14	6H3-14380-00	5 - 33	6H3-21752-00	6 - 31	6H2-28199-8P-A0	7 - 41	6H3-42682-30	1 - 29	6H1-43813-10	15 - 27
6H3-12411-10	2 - 32	6H3-14413-10	4 - 18	6H1-21757-00	6 - 37	6H2-28199-8P-B0	7 - 41	6H1-42694-00	1 - 23	6H1-43814-11	15 - 19
6H3-12413-00-1S	2 - 33	6H3-14440-02	4 - 19	6J8-21758-00	6 - 36	6H3-41111-01-1S	2 - 36	6H3-42711-24-4D	11 - 1	6H1-43816-00	15 - 68
6H3-12414-A1	2 - 34	6H3-14457-01	4 - 20	63D-2176M-00	6 - 33	6H3-41112-A0	2 - 37	648-42715-00	12 - 28	6H1-43817-01	15 - 47
	26 - 5	6H1-14485-00	4 - 6	6H1-21766-01	6 - 43		26 - 6	6H3-42716-02	11 - 12	6E5-43818-00	15 - 32
6H1-13117-01	6 - 17	624-14485-00	2 - 5	63D-2177H-00	1 - 2	6H3-41113-02-1S	2 - 38	6K5-42717-00	11 - 13	6H1-4382A-10	15 - 52
6E9-13183-70	6 - 10	6H3-14488-00	8 - 20	6H4-21770-00	6 - 35	6H3-41114-A0	2 - 39	6H3-42718-00	11 - 39	6H1-43820-11	15 - 64
6H3-13200-02	6 - 1	63V-14523-00	5 - 5	6YK-24201-01	21 - 1		26 - 7	6E5-42724-00	11 - 14	6H1-43821-11	15 - 59
62F-13200-00	6 - 1	6H4-14548-00	5 - 15	6YK-24260-01	21 - 5	6H2-41131-00-5B	16 - 11	6H3-42725-10	11 - 15	6H1-43822-10	15 - 58
6J8-13411-00	6 - 39		26 - 24	6YL-24268-01	21 - 2	6H3-41131-00-5B	16 - 11	6H3-42725-30	11 - 15	6H1-43828-10	15 - 30
6J8-13414-00	6 - 40	679-14555-00	5 - 12	6G1-24304-02	7 - 1	6H3-41137-01-94	16 - 5	688-42726-10	11 - 27	6H1-43829-00	15 - 36

NUMERICAL INDEX
INDEX NUMERIQUE

PART NO. NO. PIECES	REF. NO.	PART NO. NO. PIECES	REF. NO.	PART NO. NO. PIECES	REF. NO.	PART NO. NO. PIECES	REF. NO.	PART NO. NO. PIECES	REF. NO.	PART NO. NO. PIECES	REF. NO.
6H1-43830-11	15-49	6K5-44144-00	19-49	6H1-44526-00	13-3	675-45551-00	19-38	688-45587-01-40	17-5	688-45997-01	18-18
6H1-43831-10	15-48	6H1-44151-00	17-57	6H3-44551-01-4D	14-9	663-45552-00	19-36	688-45587-01-50	17-5	703-48152-00	24-57
6H1-43833-10	15-33	663-44151-00	19-48	6H3-44552-03-94	14-18	6K5-45560-00	17-42	6H1-45611-01	17-43	703-48153-00	24-3
6H1-43834-00	15-34	688-44194-00	12-7	6H3-44553-01-4D	14-23	675-45560-00	19-40	697-45611-00	19-41	703-48189-00	24-17
6H1-43835-10	15-29	6H3-44311-00	17-25	687-44555-00-94	14-11	663-45567-01-10	19-7	6H1-45631-01	17-44	703-48198-00	24-14
6H1-4384E-20	15-61	663-44311-02	19-19	663-44575-00	14-16	663-45567-01-12	19-7	663-45631-01	19-42	703-48207-17	23-1
6H1-4384F-10	15-46	6H3-44315-A0	17-27		14-32	663-45567-01-15	19-7	663-45633-00	19-47		24-1
6H1-4384G-11	15-45		27-7	6H3-45111-11-4D	16-1	663-45567-01-18	19-7	688-45633-00	17-55	703-48211-01	24-61
6H1-43840-11	15-17		27-18	6H3-45113-A0	16-7	663-45567-01-30	19-7	6H1-45634-02	17-46	703-48212-00	24-58
6H1-43841-11	15-42	663-44315-A0	19-21		26-18	663-45567-01-40	19-7	663-45634-00	19-43	703-48213-00	24-59
6H1-43843-11	15-72		27-7	6H3-45114-A1	16-17	663-45567-01-50	19-7	6H1-45635-00	17-50	703-48215-00	24-43
6H1-43844-10	15-44		27-18		27-2	688-45567-01-10	17-7	688-45635-00	19-45	703-48219-00	24-30
6H1-43845-00	15-55	663-44316-A0	19-28	663-45119-00	13-18	688-45567-01-12	17-7	6H1-45641-01	17-56	703-48221-00	24-56
6H1-43847-00	15-50		27-9	6H3-45123-00	16-16	688-45567-01-15	17-7	6H1-45668-00	17-49	703-48222-00	24-27
6H1-4385H-00	15-78		27-21		27-3	688-45567-01-18	17-7	663-45930-00-98	20-21	703-48223-00	24-28
6H1-43854-00	15-53	688-44316-A0	17-33	6H3-45127-00	16-15	688-45567-01-30	17-7	688-45930-02-98	18-22	703-48225-00	24-29
6H1-43855-11	15-71		27-9	6H3-45155-00	16-3	688-45567-01-40	17-7	688-45932-60-98	18-22	703-48226-00	24-26
62F-43855-00	15-71		27-21	6H1-45214-00	17-12	688-45567-01-50	17-7	6E5-45941-00-EL	18-22	703-48227-00	24-24
6H1-43856-10	15-43	663-44322-00	17-26	688-45214-02	20-10	6H3-45571-00	17-62	6E5-45943-00-EL	18-22	703-48232-00	24-62
6H1-4386K-10	15-9		19-20	6H1-45215-00	17-13	675-45571-01	19-53	6H5-45943-00-EL	20-21	703-48234-00	24-18
6H1-43861-00	15-21		27-16	688-45215-02	20-11	663-45576-00	19-57	6E5-45945-01-EL	18-22	703-48235-00	24-4
6H1-43861-10	15-18	663-44322-40	27-27	6H1-45251-03	13-2	688-45576-00	17-66	69W-45945-00-EL	20-21	703-48236-00	24-16
	15-22	6H3-44323-00	17-34	6H3-45300-15-4D	17-1	663-45577-01-10	19-56	6E5-45947-00-EL	18-22	703-48238-00	24-22
	15-60		27-19	62F-45300-10-4D	19-1	663-45577-01-12	19-56	6E5-45949-00-EL	18-22	703-48243-00	24-15
6H1-43864-00	15-65	6H3-44323-40	27-28	6H1-45301-03-4D	17-2	663-45577-01-15	19-56	6E5-45952-00-EL	18-22	703-48244-00	24-21
6H1-43865-10	15-16	663-44323-00	19-29	697-45311-02-4D	19-2	663-45577-01-18	19-56	663-45952-02-EL	20-21	703-48245-00	24-11
6H1-43866-00	15-40		27-19	663-45321-00	19-14	663-45577-01-30	19-56	6E5-45954-00-EL	18-22	703-48246-00	24-23
6H1-43867-00	15-41	6H3-44324-A0	17-35	688-45321-00	17-16	663-45577-01-40	19-56	6E5-45956-00-EL	18-22	701-48248-00	24-13
6H1-43868-00	15-74		27-8	663-45331-00-94	19-54	663-45577-01-50	19-56	6H5-45958-00-EL	20-21	703-48252-00	24-12
6H1-4387J-00	15-77		27-20	688-45331-00-94	17-63	688-45577-01-10	17-65	6E5-45970-10	18-23	703-48261-01	24-2
6H1-43871-10	15-23	663-44324-A0	19-30	688-45341-10	17-10	688-45577-01-12	17-65	663-45970-60-98	20-21	703-48264-00	24-6
6H1-43872-10	15-25		27-8		19-10	688-45577-01-15	17-65	688-45970-03-98	18-22	703-48265-00	24-9
6H1-43874-00	15-67		27-20	6E5-45371-10	18-25	688-45577-01-18	17-65	6E5-45972-10	18-23	703-48268-00	24-5
6H1-43875-00	15-57	6H3-44341-00-94	17-30	679-45371-00	20-14	688-45577-01-30	17-65	663-45972-60-98	20-21	703-48271-00	24-60
6H1-4388E-11	15-73	663-44341-00-94	19-25	688-45371-02	18-12	688-45577-01-40	17-65	688-45972-02-98	18-22	703-48281-00	24-31
6H1-43880-02	15-2	6H3-44352-00	17-28	663-45375-00	19-13	688-45577-01-50	17-65	6E5-45974-10	18-23	703-48282-00	24-32
6H1-43881-10	15-12		19-23	688-45375-00	18-11	663-45587-01-10	19-5	663-45974-60-98	20-21	703-48284-10	24-52
6H1-43891-10	15-5		27-17	663-45376-00-94	18-10	663-45587-01-12	19-5	688-45974-02-98	18-22	701-48287-00	24-42
6H1-43892-10	15-6	6H3-44361-10	18-2		19-12	663-45587-01-15	19-5	6E5-45976-10	18-23	703-48291-10	24-39
6H1-43895-12	15-70		20-2	6E5-45378-00	17-21	663-45587-01-18	19-5	663-45976-00-98	20-21	703-48293-10	24-41
6H1-43896-00	15-69	663-44366-00	18-16	688-45383-02	17-71	663-45587-01-30	19-5	688-45976-01-98	18-22	701-48320-00	23-2
6H1-43899-00	15-51		19-22	688-45384-00	17-72	663-45587-01-40	19-5	6E5-45978-10	18-23	701-48320-20	23-2
6H3-44117-00-94	12-31		27-14	697-45384-00	19-63	663-45587-01-50	19-5	663-45978-00-98	20-21	701-48320-30	23-2
6J2-44117-01-94	12-31	663-44367-00	18-1	6H3-45501-10	17-39	688-45587-01-10	17-5	688-45978-60-98	18-22	701-48320-50	23-2
6H3-44120-12	12-27		20-1	62F-45501-10	19-37	688-45587-01-12	17-5	663-45987-02	20-16	701-48320-60	23-2
6H3-44121-01	12-37	6H3-44391-01	11-2	688-45536-01	17-4	688-45587-01-15	17-5	688-45987-01	18-17	701-48320-80	23-2
688-44122-00	12-40	688-44511-00-94	14-33	698-45536-00	19-4	688-45587-01-18	17-5	6E5-45994-10	18-24	6H3-48344-00	12-18
6H1-44144-00	17-58	688-44514-00-94	14-26	6K5-45551-00	17-40	688-45587-01-30	17-5	670-45997-02	20-17	663-48344-00	12-41

NUMERICAL INDEX
INDEX NUMERIQUE

PART NO. NO. PIECES	REF. NO.	PART NO. NO. PIECES	REF. NO.	PART NO. NO. PIECES	REF. NO.	PART NO. NO. PIECES	REF. NO.	PART NO. NO. PIECES	REF. NO.	PART NO. NO. PIECES	REF. NO.
703-48345-01	24 - 19	703-82540-00	24 - 50	90109-06M43	12 - 13	90185-10051	14 - 38	90386-18M63	13 - 36	90464-15M11	9 - 28
703-48358-00	24 - 20	68F-82553-70	25 - 8	90109-12M21	14 - 15	90185-22043	13 - 24	90386-22M15	13 - 26	90464-18M14	9 - 50
6H3-48511-51-4D	14 - 36	682-82556-00	24 - 48	90116-08M69	2 - 30	90201-03313	17 - 52	90386-30M60	14 - 8	90464-23M22	9 - 18
6H3-48538-00	12 - 42	688-82560-10	9 - 38	90116-10M28	14 - 37	90201-08M93	6 - 16	90386-30M77	14 - 6	90465-06M86	6 - 9
688-61350-10	22 - 1	6H1-82563-10	9 - 46	90116-10175	14 - 37	90201-10M20	22 - 3	90386-30M78	14 - 5	90465-11M10	14 - 41
688-61351-10	22 - 2	703-82563-12	24 - 55	90119-06MA3	2 - 35	90201-10M63	22 - 7	90387-06M31	6 - 30		17 - 24
6E5-61355-00	22 - 8	6E3-8257H-00	11 - 42		4 - 10	90201-11M22	14 - 30	90387-06M43	9 - 3	90465-11M27	6 - 27
6H4-81315-11	25 - 9	688-82575-01	24 - 47	90119-06MA5	2 - 40	90201-12M16	14 - 12	90387-06M60	12 - 8	90465-13M11	9 - 19
6E5-81332-00	8 - 15	703-82577-00	24 - 45	90119-06M09	11 - 11	90201-12426	13 - 46		12 - 25	90465-13M30	6 - 32
6H3-81337-01	8 - 18	688-8258A-20	24 - 49	90119-06M29	13 - 4	90201-13M19	14 - 14	90387-06M69	11 - 21	90465-18147	5 - 42
6H3-81800-11	10 - 1	6R5-82582-B0	6 - 60	90119-06M61	11 - 22	90201-17M00	18 - 19	90387-10M02	13 - 29	90467-06016	2 - 11
6H3-81807-10	10 - 3	6E5-82587-00	9 - 47	90119-06M65	6 - 48	90201-20M21	14 - 28	90387-10M42	22 - 6		2 - 15
689-81809-11	10 - 7	6H2-82590-13	9 - 31	90119-06M88	6 - 49	90201-20417	3 - 19	90430-08020	17 - 11		4 - 15
6H3-81810-10	10 - 9	703-82591-00	24 - 53	90119-06023	2 - 20	90201-21M18	8 - 14		19 - 11	90467-08004	2 - 42
689-81811-11	10 - 12	703-82592-00	24 - 54	90119-08MA5	2 - 29	90201-22M67	13 - 23		27 - 4		4 - 17
689-81812-11	10 - 11	688-82594-00	9 - 37	90119-08M14	17 - 38	90201-22429	19 - 52	90430-12072	18 - 4		6 - 44
689-81813-10	10 - 13	703-82594-00	24 - 25		27 - 23	90201-30M00	14 - 4		20 - 4		7 - 5
6H3-81820-11	10 - 14	703-83383-A0	24 - 51	90119-08M33	17 - 37	90202-05088	6 - 21	90430-14115	2 - 24		7 - 14
689-81826-10	10 - 15	6Y5-8350T-02	25 - 1		27 - 24	90202-07M07	12 - 39		26 - 3		7 - 31
6H3-81830-10	10 - 4	6Y5-83553-00	25 - 6	90119-08M64	2 - 9	90202-12060	18 - 3	90440-14M00	13 - 48		7 - 36
689-81831-00	10 - 5	6E5-83558-00	18 - 15	90119-08M79	16 - 8		20 - 3	90445-07ME9	17 - 22	90467-10M04	6 - 51
689-81840-11	10 - 10	6E5-83558-10	17 - 23	90119-08M81	16 - 4	90202-20M06	14 - 29	90445-07MF1	18 - 14	90467-11M08	6 - 28
689-81847-11	10 - 6	6E5-83614-01	9 - 48	90119-08M84	18 - 9	90202-25M04	14 - 13	90445-07M02	2 - 12		6 - 58
689-81850-12	10 - 8	6A1-83625-41	4 - 24		20 - 9	90206-10M04	12 - 24	90445-07M23	6 - 7	90467-12M11	6 - 45
689-81857-11	10 - 2	6A1-83625-51	4 - 25	90119-10005	2 - 8	90206-13M10	11 - 6	90445-07M44	2 - 10	90468-05M03	6 - 22
6H3-81916-10	9 - 15	6H1-83672-12	14 - 1	90151-05M00	17 - 14	90209-06M05	4 - 22		6 - 6	90468-07M02	6 - 11
6H2-81949-01	9 - 44	6H2-85520-01	8 - 2	90152-05M05	20 - 12	90214-48M03	19 - 62	90445-07M45	2 - 13		6 - 12
6H2-81949-11	9 - 43	6H2-85533-01	8 - 3	90157-05M16	21 - 6	90249-06M19	13 - 39	90445-07M82	2 - 14		6 - 13
61A-81950-00	9 - 39	6H2-85540-12	9 - 5	90157-06M01	11 - 25	90250-06023	19 - 46	90445-07M87	6 - 8	90468-18008	12 - 19
688-81950-10	9 - 24	6H3-85542-11-94	9 - 1		11 - 29	90250-07M02	17 - 54	90445-07255	4 - 14		12 - 38
6H2-81960-10	9 - 11	6H2-85550-00	8 - 1	90157-06M13	12 - 5	90266-06009	1 - 10	90445-08M01	6 - 42	90480-09M12	11 - 20
6H3-82105-01	9 - 29	697-85570-00	9 - 20	90159-06M01	9 - 16	90269-04M03	11 - 8	90445-09M75	7 - 4	90480-13M54	9 - 4
6H3-82117-00	9 - 30	6H2-85580-01	8 - 4	90159-06M23	8 - 19	90280-03M03	17 - 29	90445-09072	7 - 13	90501-10326	5 - 6
682-82119-01	9 - 45	6H2-85582-00	8 - 5	90170-09M03	22 - 5		19 - 24		7 - 30	90501-12M48	17 - 51
703-82119-00	9 - 6	6H1-85711-60	4 - 23	90170-12138	19 - 39		27 - 25	90445-09220	7 - 34	90501-12082	12 - 30
	14 - 42	6R5-85711-60	9 - 51	90170-16M01	17 - 41	90280-05015	8 - 12	90445-11M02	6 - 56	90501-14M08	14 - 21
688-82127-02	14 - 25	6H3-85720-16	6 - 59	90170-20137	8 - 13	90282-04010	17 - 70	90445-11M03	6 - 26	90501-16M65	17 - 47
6E5-82148-00	13 - 12	6H2-85895-01	8 - 6	90171-16011	18 - 20		19 - 61	90445-11M15	6 - 53	90501-16233	19 - 44
6H1-82148-00	13 - 8	9E450-04433	25 - 2		20 - 19	90338-05M03	1 - 26	90445-11M21	6 - 50	90502-16M02	13 - 34
1E6-82151-00	25 - 7	9E450-04533	25 - 3	90179-06066	14 - 22		13 - 20	90446-10M01	6 - 55	90506-14M24	13 - 41
663-82151-00	9 - 32	90101-08002	2 - 22	90179-08M34	2 - 31	90340-08002	17 - 9		7 - 37	90508-26M35	12 - 11
6G5-82152-00	9 - 17	90101-10M49	14 - 27	90183-02M03	17 - 53		19 - 9	90464-05M16	9 - 14	91318-08016	15 - 66
6H3-82154-11	9 - 42	90101-12M65	13 - 44	90183-05M06	1 - 27	90340-14M00	2 - 23	90464-07M05	2 - 16	91490-20012	12 - 36
6H3-82164-00	9 - 27	90105-06M14	9 - 2	90185-05002	17 - 15	90386-07M58	12 - 34		6 - 5	91490-40025	18 - 21
6A0-82317-00	6 - 46	90105-10M67	18 - 13		20 - 13	90386-10M16	13 - 28		6 - 14		20 - 20
6G1-82370-21	9 - 23		20 - 15	90185-08057	14 - 40	90386-13M38	11 - 5	90464-09M13	11 - 28	91690-30012	13 - 33
703-82510-43	24 - 44	90109-06M39	6 - 3	90185-09M01	22 - 4	90386-18M14	15 - 31	90464-11M18	13 - 19	91690-30020	13 - 30
703-82531-00	24 - 46	90109-06M40	6 - 4	90185-10051	14 - 31	90386-18M35	13 - 37	90464-11M23	6 - 57	92901-04100	15 - 76

NUMERICAL INDEX
INDEX NUMERIQUE

PART NO. NO. PIECES	REF. NO.	PART NO. NO. PIECES	REF. NO.	PART NO. NO. PIECES	REF. NO.	PART NO. NO. PIECES	REF. NO.	PART NO. NO. PIECES	REF. NO.	PART NO. NO. PIECES	REF. NO.
92901-05200	15 - 63	92995-08600	19 - 33	93210-46044	27 - 22	95380-05600	12 - 22	97095-06095	4 - 11		
92903-06600	5 - 44		19 - 35	93210-49046	17 - 17		24 - 7	97095-08045	19 - 34		
	9 - 10	92995-10100	13 - 15		19 - 15	95380-06600	12 - 6		27 - 23		
	9 - 22	92995-12200	13 - 45		27 - 5		24 - 40	97095-08055	19 - 32		
	9 - 26	93101-22067	19 - 60	93210-64488	15 - 28	95380-08600	7 - 11		27 - 24		
	9 - 34		27 - 12	93210-65M50	3 - 4	95380-12600	13 - 47	97095-10045	13 - 14		
	9 - 36	93101-23070	17 - 31		26 - 12	95380-12800	14 - 17	97380-05025	24 - 8		
	10 - 19		19 - 26	93210-66M98	19 - 58	97013-06012	5 - 43	97380-08030	24 - 33		
	12 - 33		27 - 11		27 - 13		9 - 9	97595-06420	15 - 35		
92903-08600	10 - 17	93101-25M03	17 - 69	93210-85M97	17 - 67		9 - 33	97607-04310	15 - 11		
	10 - 21		27 - 12		27 - 13		9 - 35	97803-04010	5 - 34		
92990-04100	25 - 4	93102-08M43	15 - 14	93306-00702	19 - 55	97013-06014	7 - 12	97880-05016	4 - 3		
92990-05100	7 - 23	93102-30M23	3 - 2	93306-207U0	17 - 64	97013-06016	9 - 25	97880-06012	13 - 13		
92990-05600	4 - 4		26 - 10	93306-306V1	3 - 11	97013-06020	9 - 21	97885-05016	15 - 10		
92990-06600	11 - 26	93102-36M24	3 - 9	93311-636U6	3 - 8		12 - 32	97885-06010	8 - 16		
	11 - 38		26 - 8	93315-322V2	19 - 3	97013-06025	10 - 18	97885-06016	14 - 2		
92990-08200	12 - 35	93106-09014	17 - 18	93315-325V1	17 - 3	97013-08016	10 - 20		14 - 24		
92990-08600	24 - 34		19 - 16	93317-22204	19 - 59	97013-08035	10 - 16	97885-06045	4 - 21		
92990-10100	18 - 7		27 - 6	93317-325U0	17 - 68	97075-08025	14 - 19	97980-04114	5 - 4		
	20 - 7	93106-18M01	3 - 3	93332-000U3	17 - 6	97075-08030	16 - 12	98501-04025	15 - 75		
92990-10600	18 - 8		26 - 11	93332-000W7	17 - 8		16 - 18	98501-05010	15 - 62		
	20 - 8	93210-04228	5 - 13	93332-00001	19 - 6	97075-08035	14 - 34	98503-05028	7 - 22		
92990-16200	20 - 18		26 - 22	93332-00003	19 - 8		16 - 9	98580-03015	24 - 38		
92995-06100	1 - 8	93210-04230	5 - 26	93410-18M02	13 - 38	97075-10040	18 - 6	98580-04006	24 - 36		
	13 - 6		26 - 29	93410-28M06	14 - 10		20 - 6	98580-04008	5 - 16		
92995-06600	1 - 9	93210-064A5	15 - 38	93430-06024	24 - 10	97095-05012	8 - 7	98580-04010	24 - 35		
	1 - 13	93210-07003	17 - 59	93440-49M04	3 - 10	97095-06010	13 - 9	98580-05010	24 - 37		
	3 - 6		19 - 50	93450-07M00	17 - 61		13 - 43	98980-03006	5 - 36		
	7 - 3	93210-09165	15 - 37	93501-04M02	12 - 29	97095-06016	1 - 7	99001-08600	17 - 60		
	7 - 29	93210-10M74	15 - 54	93503-16003	17 - 48		1 - 12		19 - 51		
	8 - 9	93210-13M04	6 - 18	93505-32038	15 - 79		6 - 29				
	8 - 11	93210-16275	22 - 10	93603-12M11	17 - 45		9 - 12				
	8 - 17	93210-18M75	15 - 56	93603-18M09	3 - 18		9 - 49				
	9 - 8	93210-18397	15 - 26	93604-08062	19 - 31		11 - 17				
	9 - 13	93210-19MA7	6 - 2	93604-10M03	17 - 36		13 - 5				
	9 - 41	93210-29M94	14 - 7	93606-12019	16 - 2		17 - 19				
	11 - 18	93210-32738	7 - 9		16 - 6		19 - 17				
	11 - 34		26 - 16		18 - 5	97095-06020	3 - 5				
	11 - 36	93210-39ME4	4 - 12		20 - 5		11 - 35				
	13 - 7		26 - 14	93608-12063	2 - 7	97095-06025	7 - 2				
	13 - 10		26 - 30	93700-06M03	13 - 17		8 - 10				
	17 - 20	93210-41042	19 - 27	94702-00247	2 - 43		9 - 40				
	19 - 18		27 - 10	95380-03600	5 - 35		11 - 33				
92995-08100	14 - 20		27 - 22		7 - 19		12 - 9				
	14 - 35	93210-46M16	3 - 13	95380-04600	25 - 5		12 - 26				
	16 - 10		26 - 9	95380-05600	6 - 23	97095-06035	8 - 8				
	16 - 13	93210-46044	17 - 32		12 - 3	97095-06040	7 - 28				
	16 - 19		27 - 10		12 - 17	97095-06045	9 - 7				

50GETO/60FETO/70BETO
PARTS CATALOGUE
©2002 by Yamaha Motor Co., Ltd.
1st Edition, Jul. 2002
All rights reserved.
Any reprinting or unauthorized use
without the written permission of
Yamaha Motor Co., Ltd.
is expressly prohibited.

50GETO/60FETO/70BETO
CATALOGUE DE PIÈCES DÉTACHÉES
©2002 Yamaha Motor Co., Ltd.
1ère Edition, Juil. 2002
Tous droits réservés.
Toute réimpression ou utilisation
sans la permission écrite de la
Yamaha Motor Co., Ltd.
est formellement interdite.