

**PARTS
CATALOGUE
CATALOGUE
DE PIÈCES DÉTACHÉES**

6CMH'03(6M82)

6DMH'03(6M92)

8CMH'03(6N02)

FOREWORD

This Parts Catalogue is related to the parts for the model(s) in the below frame. When you are ordering replacement parts, please refer to this Parts Catalogue and quote both part numbers and part names correctly.

6CMH'03(6M82), 6DMH'03(6M92), 8CMH'03(6N02)

1. Modifications or additions which have been made after issue of the Parts Catalogue will be announced in the Yamaha Parts News.
It is advisable that you make necessary corrections to the Parts Catalogue according to the Yamaha Parts News.

2. Abbreviations

The Following abbreviations are used in this Parts Catalogue.

“UR” Use specified parts number.

“UN” Use as many as needed.

“AP” Alternate Parts

“LM” Local Made
(Parts need to be ordered locally)

“O/S” Over Size

3. Parts, which are to be supplied in an assembly, are listed with a dot(.) in front of the part name as shown below.

EXAMPLE

CARBURETOR ASSY

.JET, PILOT

.NOZZLE, MAIN

4. Number of component for assembly

The numeral appearing to the right of each component part indicates the quantity of parts for each assembly unit.

EXAMPLE

PART NO.	DESCRIPTION	□	□	□	□	□	REMARKS
6E0-85500-70	C.D.I. MAGNETO ASSY	1					
6E0-85550-70	.ROTOR ASSY	1					
6E0-15723-00-94.	PULLY, STARTER	1					

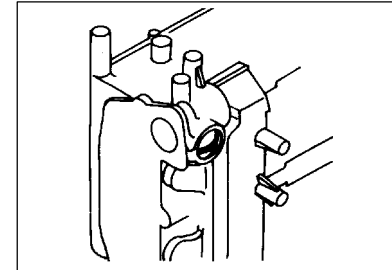
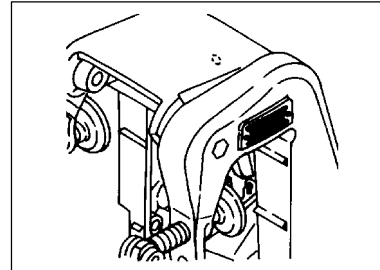
5. Quantity Column Information

NAME for Q'TY COLUMN	APPLICABLE MODEL
6C	6CMH
6D	6DMH
8C	8CMH

6. Applicable Starting Serial No. and Color Code

1) Engine Starting Serial No.

6CMH S/L	6M8 : 1000001	8CMH S/L/X	6N0 : 1000001
6DMH S/L	6M9 : 1000001		



2) Color Code

Color Code	Color Name	Abbreviation
004D	DARK BLUISH GRAY METALLIC 2	DBNM2

7. Note that the illustrations for reference in finding parts numbers, not to be used for assembling. When assembling, please use the applicable service manual.
8. The asterisk (*) before a reference number indicates modification items after the first edition.

AVANT-PROPOS

Ce Catalogue de pièces détachées concerne les pièces pour le(s) modèle(s) indiqué(s) dans le cadre ci-dessous. Lorsque vous commandez des pièces de rechange, veuillez vous référer à ce catalogue de pièces détachées et indiquer clairement les numéros et les noms des pièces détachées.

6CMH'03(6M82), 6DMH'03(6M92), 8CMH'03(6N02)

1. Les modifications ou ajouts ayant été effectués après la parution du catalogue de pièces détachées seront décrits dans les Bulletins d'information Yamaha concernant les pièces détachées. Il est recommandé que vous apportiez les corrections nécessaires au catalogue des pièces détachées en vous référant aux Bulletins d'information Yamaha.

2. Abréviations

Dans ce catalogue, les abréviations suivantes sont utilisées:

"UR" Utiliser le numéro des pièces.

"UN" Utiliser autant que nécessaire.

"AP" Pièces de substitution

"LM" Fabrication locale (les pièces doivent être commandées localement.)

3. Dans ce catalogue, les pièces qui sont fournies dans un ensemble sont précédées d'un point (.) de la manière indiquée ci-dessous.

EXEMPLE

ENS CARBURATEUR

.GICLEUR, ralenti

.PUITS D'AIGUILLE

4. Nombre de pièces composant un ensemble

Le chiffre apparaissant à la droite de chaque description indique la quantité de pièces pour chaque ensemble de pièces.

EXEMPLE

NO. PIECES	DESCRIPTION					REMARQUES
		ω	⊞	⊞		
6E0-85500-70	MAGNETO C.D.I. CPLT	1				
6E0-85550-70	.ROTOR CPLT	1				
6E0-15723-00-94	..POULIE DE DEMARREUR	1				

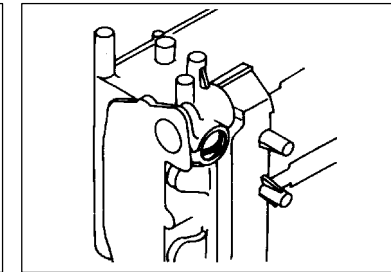
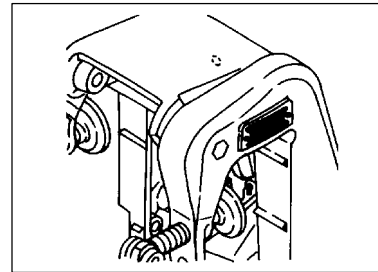
5. Indication concernant la quantité

Indication concernant la quantité	Applications modèle
6C	6CMH
6D	6DMH
8C	8CMH

6. Applications No de série et code couleur correspondants

1) No. de série du moteur

6CMH S/L	6M8 : 1000001	8CMH S/L/X 6N0 : 1000001
6DMH S/L	6M9 : 1000001	



2) Code couleur

Code couleur	Nom de couleur	Abréviation
004D	DARK BLUISH GRAY METALLIC 2	DBNM2

7. Veuillez noter que les illustrations sont indiquées pour référence pour trouver les numéros de pièces, non pour être utilisées lors de l'assemblage. Lors de l'assemblage, veuillez utiliser le manuel d'entretien adéquat.

8. L'astérisque (*) placé devant un numéro de référence. indique des éléments qui ont été modifiés après la première édition.

CONTENTS

TOP COWLING	A4
CYLINDER. CRANKCASE	A5
CRANKSHAFT. PISTON	A7
INTAKE	B1
CARBURETOR	B2
FUEL	B4
STARTER	B5
GENERATOR	B7
ELECTRICAL	C1
BOTTOM COWLING	C2
STEERING	C4
CONTROL	C5
BRACKET	C7
UPPER CASING	D3
LOWER CASING. DRIVE 1	D4
LOWER CASING. DRIVE 2	D7
FUEL TANK	E1
REPAIR KIT	E2

INDEX

NUMERICAL INDEX	E4
-----------------------	----

TABLE DES MATIERES

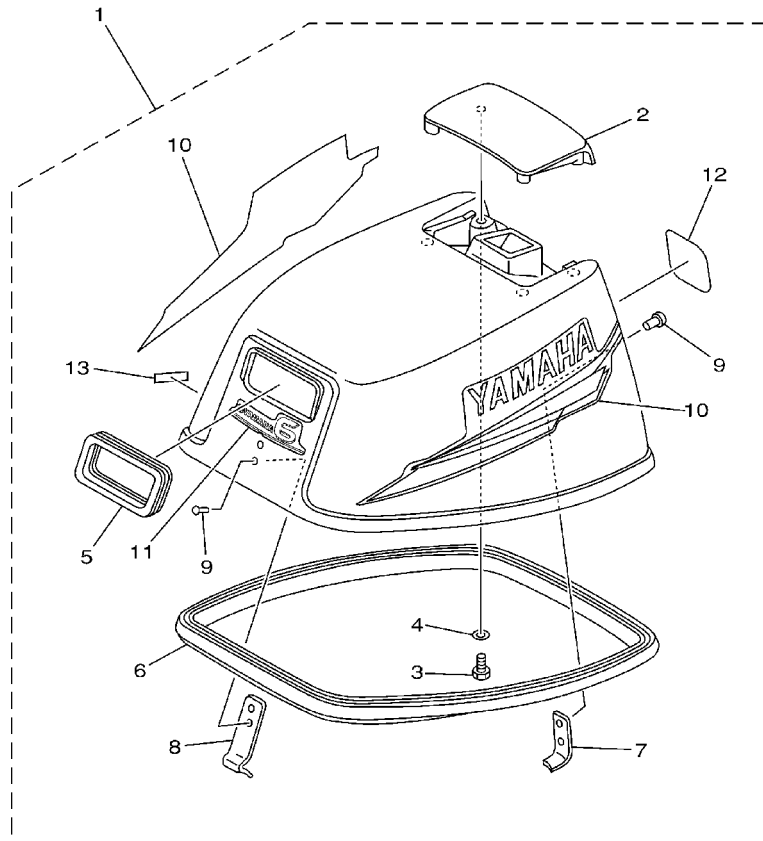
CAPOT SUPERIEUR	A4
CYLINDRE. CARTER	A5
VILEBREQUIN. PISTON	A7
ADMISSION	B1
CARBURATEUR	B2
CARBURANT	B4
DEMARREUR	B5
GENERATRICE	B7
ELECTRIQUE	C1
CAPOT INFERIEUR	C2
DIRECTION	C4
COMMANDE	C5
SUPPORT	C7
FOURREAU	D3
BOITIER D'HELICE, TRANSMISSION 1	D4
BOITIER D'HELICE, TRANSMISSION 2	D7
RESERVOIR A CARBURANT	E1
KITS DE REPARATION	E2

INDEX

INDEX NUMERIQUE	E4
-----------------------	----

FIG. 1 TOP COWLING

CAPOT SUPERIEUR

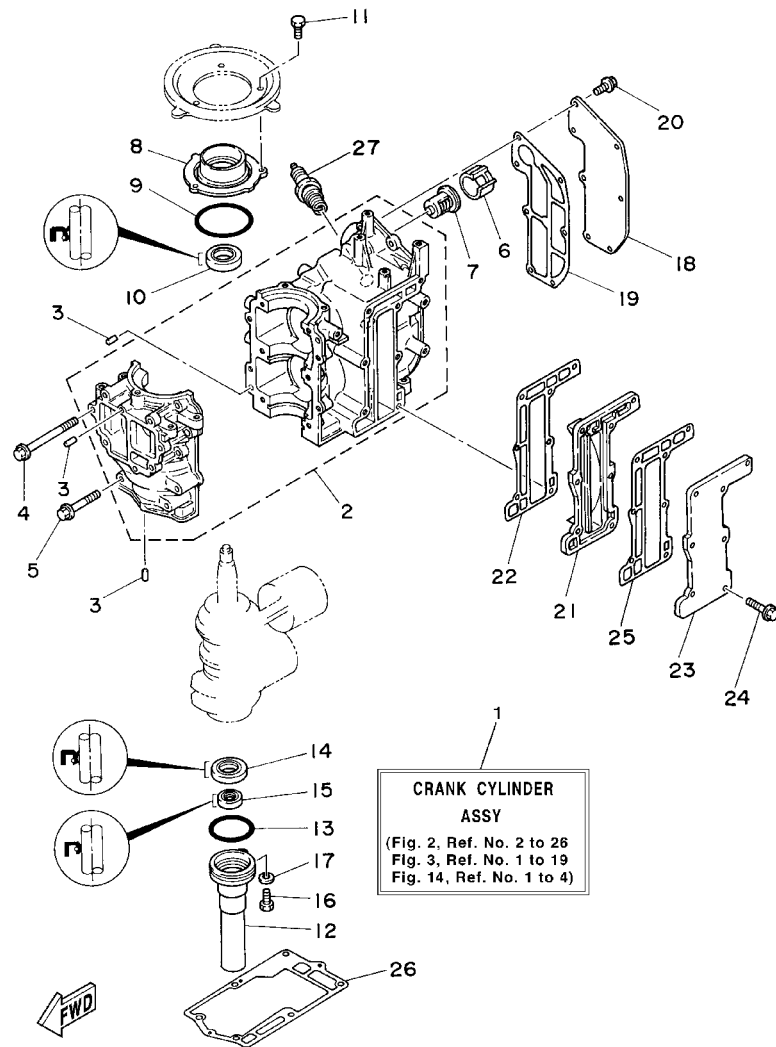


REF. NO.	PART NO. NO. PIECES	DESCRIPTION DESCRIPTION	8C	6D	8C		REMARKS REMARQUES
1	6M8-G2610-30-4D	TOP COWLING ASSY CAPOT (ENS.)	1	1			
	6N0-G2610-30-4D	TOP COWLING ASSY CAPOT (ENS.)			1		
2	6N0-G2613-00-4D	.MOLDING, AIR DUCT .MANCHON A AIR	1	1	1		
3	97095-06016	.BOLT .BOULON	4	4	4		
4	92995-06600	.WASHER .RONDELLE	4	4	4		
5	6G1-15761-00	.SEAL, RUBBER 1 .JOINT CAOUTCHOUC 1	1	1	1		
6	6G1-42615-00	.SEAL .JOINT	1	1	1		
7	6G1-42647-00	.HOLDER, CLAMP BAND .SUPPORT, SANDOW DE SERRAGE	1	1	1		
8	6N0-G2651-00	.HOOK .CROCHET	1	1	1		
9	90266-04M00	.RIVET .RIVET	4	4	4		
10	6N0-WG070-10	.GRAPHIC SET .JEU DIEMBLEMES	1	1	1		
11	6M8-G2677-20	.GRAPHIC, FRONT .ADHESIF, AVANT	1	1			
	6N0-G2677-20	.GRAPHIC, FRONT .ADHESIF, AVANT			1		
12	6M8-G2678-11	.GRAPHIC, REAR .ADHESIF, ARRIERE	1	1			
	6N0-G2678-11	.GRAPHIC, REAR .ADHESIF, ARRIERE			1		
13	6E0-44191-11	.INDICATOR, SHIFT .ETIQUETTE, EMBRAYAGE	1	1	1		



6M81200-2010

FIG. 2 CYLINDER. CRANKCASE CYLINDRE. CARTER

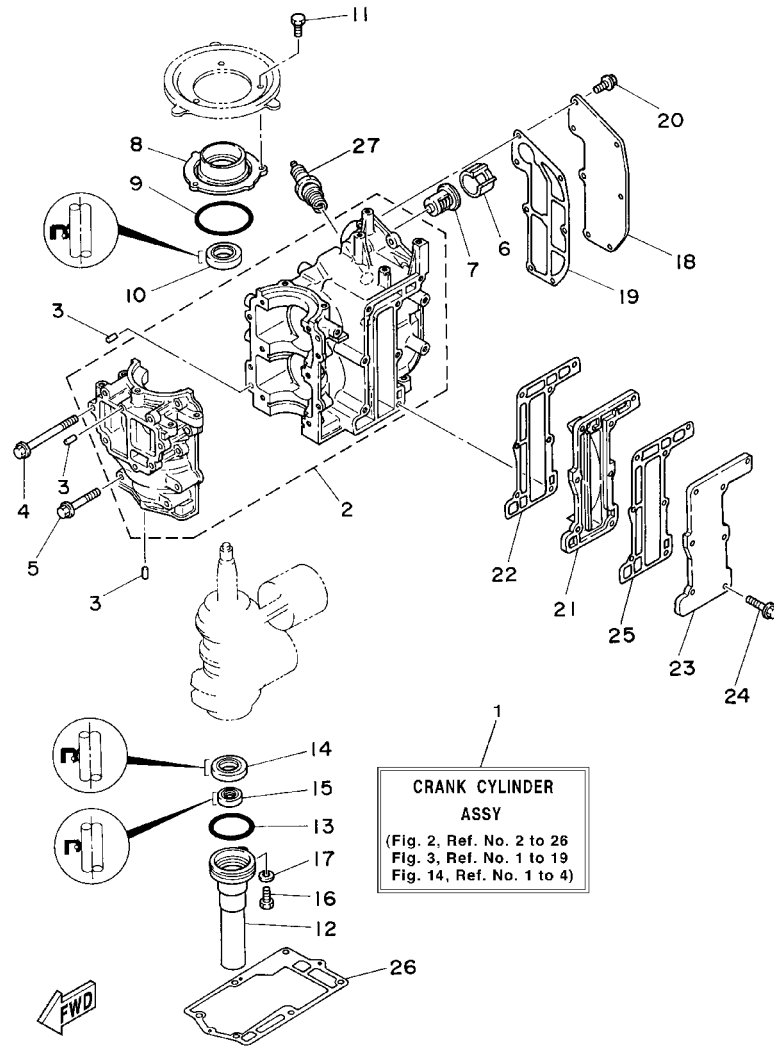


6M82200-7020

REF. NO.	PART NO. NO. PIECES	DESCRIPTION DESCRIPTION	8C	6D	8C		REMARKS REMARQUES
1	6N0-WE090-01-4D	CRANK CYLINDER ASSY EMBIELLAGE CYLINDRE (ENS.)	1	1	1		
2	6N0-E5100-00-94	CRANKCASE ASSY CARTER DE MOTEUR COMPLET	1	1	1		
3	93604-08062	PIN, DOWEL CLAVETTE	4	4	4		
4	90105-06M26	BOLT, FLANGE BOULON	6	6	6		
5	90105-06M25	BOLT, FLANGE BOULON	4	4	4		
6	90387-22M50	COLLAR COLLERETTE	1	1	1		
7	6E5-12411-01	THERMOSTAT THERMOSTAT	1	1	1		
8	6G1-15359-01-94	HOUSING, OIL SEAL LOGEMENT, BAGUE D'ETANCHEITE	1	1	1		
9	93210-54M54	O-RING JOINT TORIQUE	1	1	1		
10	93102-20M25	OIL SEAL JOINT SPY	1	1	1		
11	97013-06016	BOLT BOULON	3	3	3		
12	6G1-15396-02-5B	HOUSING, OIL SEAL LOGEMENT DE JOINT SPY	1	1	1		
13	93210-42159	O-RING JOINT TORIQUE	1	1	1		
14	93101-20M34	OIL SEAL JOINT SPY	1	1	1		
15	93101-12M26	OIL SEAL JOINT SPY	1	1	1		
16	97095-06016	BOLT BOULON	1	1	1		
17	92995-06600	WASHER RONDELLE	1	1	1		
18	6N0-E1191-00-9M	COVER, CYLINDER HEAD 1 COUVERCLE, CULASSE 1	1	1	1		
19	6G1-11193-A1	GASKET, HEAD COVER 1 JOINT, COUVERCLE DE CULASSE 1	1	1	1		
20	90105-06M14	BOLT FLANGE BOULON	7	7	7		
21	6N0-G1111-00-9M	INNER COVER, EXHAUST PLAQUE, ECHAPPEMENT	1	1	1		
22	6G1-41112-A1	GASKET, EXHAUST INNER COVER JOINT, PLAQUE D'ECHAPPEMENT	1	1	1		
23	6G1-41113-01-9M	OUTER COVER, EXHAUST COUVERCLE, ECHAPPEMENT	1	1	1		
24	90105-06M24	BOLT, FLANGE BOULON	7	7	7		
25	6G1-41114-A0	GASKET, EXHAUST OUTER COVER JOINT, COUVERCLE D'ECHAPPEMENT	1	1	1		
26	6G1-45113-A1	GASKET, UPPER CASING JOINT, TUBE D'ARBRE	1	1	1		
27	94702-00271	PLUG, SPARK (NGK BR7HS-10) BOUGIE D'ALLUMAGE (NGK BR7HS-10)	2	2	2		

FIG. 2 CYLINDER. CRANKCASE CYLINDRE. CARTER

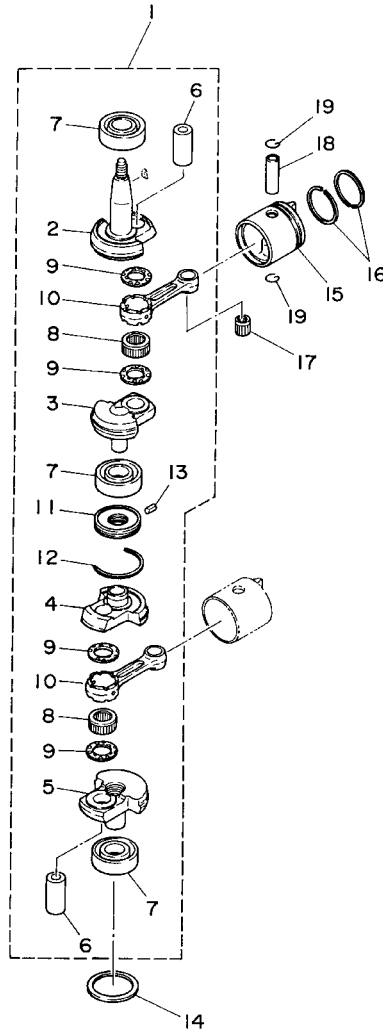
REF. NO.	PART NO. NO. PIECES	DESCRIPTION DESCRIPTION	6C	6D	8C	REMARKS REMARQUES
27	94702-00274	PLUG SPARK (NGK BR6HS-10) BOUGIE D'ALLUMAGE (NGK BR6HS-10)		2		



6M82200-7020

FIG. 3 CRANKSHAFT. PISTON

VILEBREQUIN. PISTON



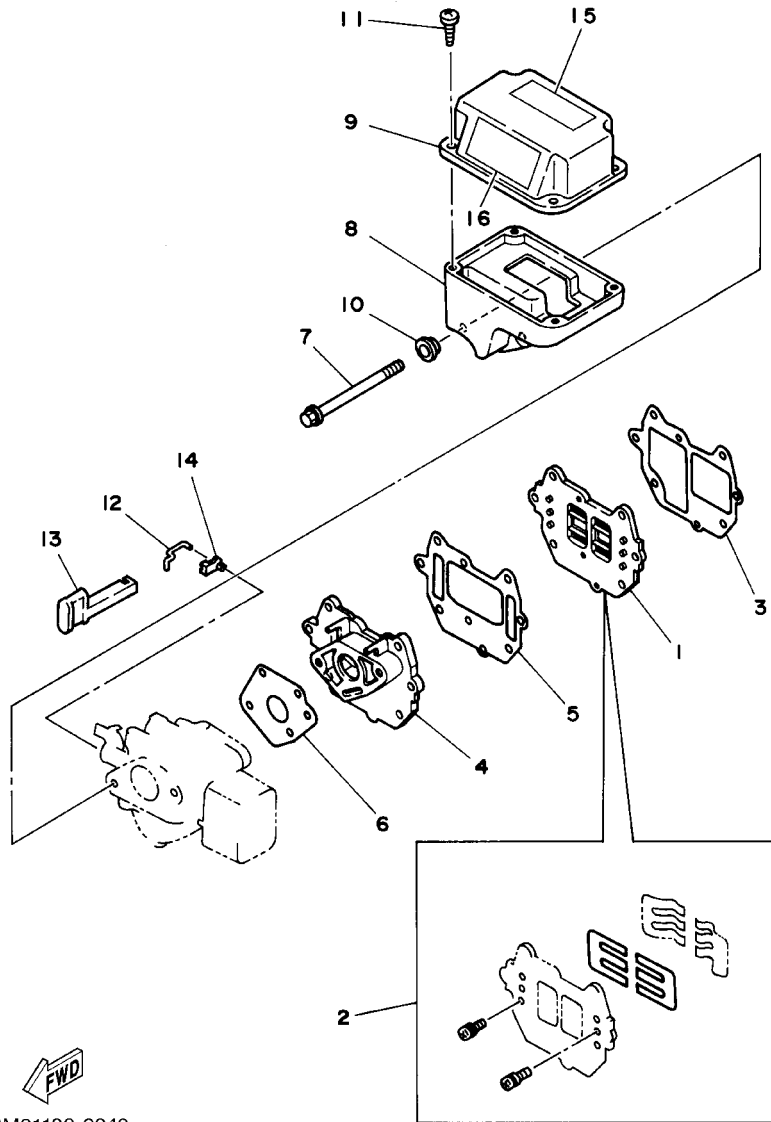
REF. NO.	PART NO. NO. PIECES	DESCRIPTION DESCRIPTION	8C	8D	8C		REMARKS REMARQUES
1	6N0-E1400-00	CRANKSHAFT ASSY VILEBREQUIN COMPLET	1	1	1		
2	6N0-E1412-00	.CRANK 1 .MASSLOTTE DE VILEBREQUIN 1	1	1	1		
3	6N0-E1422-00	.CRANK 2 .MASSLOTTE DE VILEBREQUIN 2	1	1	1		
4	6N0-E1432-00	.CRANK 3 .MASSLOTTE DE VILEBREQUIN 3	1	1	1		
5	6N0-E1442-00	.CRANK 4 .MASSLOTTE DE VILEBREQUIN 4	1	1	1		
6	6G1-11681-00	.PIN, CRANK 1 .MANETON, VILEBREQUIN 1	2	2	2		
7	93306-204U0	.BEARING .ROULEMENT	3	3	3		
8	93310-418V1	.BEARING .ROULEMENT	2	2	2		
9	90209-18112	.WASHER .RONDELLE	4	4	4		
10	6N0-E1651-00	.ROD, CONNECTING .BIELLE NUE	2	2	2		
11	6N0-E1515-00	.SEAL, LABYRINTH 1 .JOINT, LABYRINTHE 1	1	1	1		
12	93440-47055	.CIRCLIP .CIRCLIP	1	1	1		
13	91609-20008	.PIN, SPRING .AXE DE RESSORT	1	1	1		
14	90201-41303	WASHER, PLATE RONDELLE, PLATE	1	1	1		
15	6N0-E1631-00-98	PISTON (STD) PISTON (STD)	2	2	2		
16	6N0-E1603-00	PISTON RING SET (STD) JEU DE SEGMENTS (STD)	2	2	2		
17	93310-112V0	BEARING ROULEMENT	2	2	2		
18	6N0-E1633-00	PIN, PISTON AXE, PISTON	2	2	2		
19	93450-13022	CIRCLIP CIRCLIP	4	4	4		



6M80010-4030

FIG. 4 INTAKE

ADMISSION

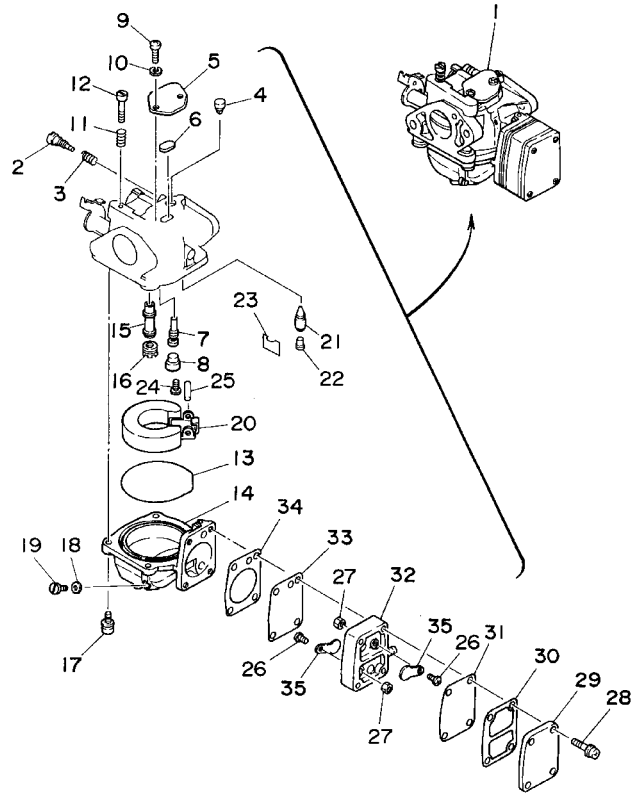



6M81100-2040

REF. NO.	PART NO. NO. PIECES	DESCRIPTION DESCRIPTION	8C	6D	8C		REMARKS REMARQUES
1	6G1-13610-01	REED VALVE ASSY CLAPET COMPLET	1	1	1		
2	6G1-W0004-00	.REED SET .JEU DE CLAPETS	1	1	1		
3	6G1-13621-A1	GASKET, VALVE SEAT JOINT, SIEGE DE CLAPET	1	1	1		
4	6N0-E3641-00-94	MANIFOLD 1 TUBULURE 1	1	1	1		
5	6G1-13645-A1	GASKET, MANIFOLD 1 JOINT_TUBULURE.1	1	1	1		
6	6G1-14198-A1	GASKET JOINT	1	1	1		
7	95895-06085	BOLT, FLANGE BOULON	2	2	2		
8	6M8-E4417-00	COVER 1 COUVERCLE 1	1	1	1		
9	6M8-E4418-00	COVER 2 COUVERCLE 2	1	1	1		
10	90387-06M70	COLLAR COLLERETTE	2	2	2		
11	97780-50514	SCREW, TAPPING VIS, TETE BOMBEE	4	4	4		
12	6G1-41256-00	ROD, CHOKE 1 TRINGLE 1, STARTER	1	1	1		
13	6G1-41271-00	KNOB, CHOKE BOUTON DE STARTER	1	1	1		
14	661-41262-02	JOINT, CHOKE LEVER RACCORD, LEVIER DE STARTER	1	1	1		
15	6A1-83625-41	MARK 5 ETIQUETTE 5	1	1	1		
16	6A1-83625-51	MARK 5 ETIQUETTE 5	1	1	1		

FIG. 5 CARBURETOR

CARBURETEUR



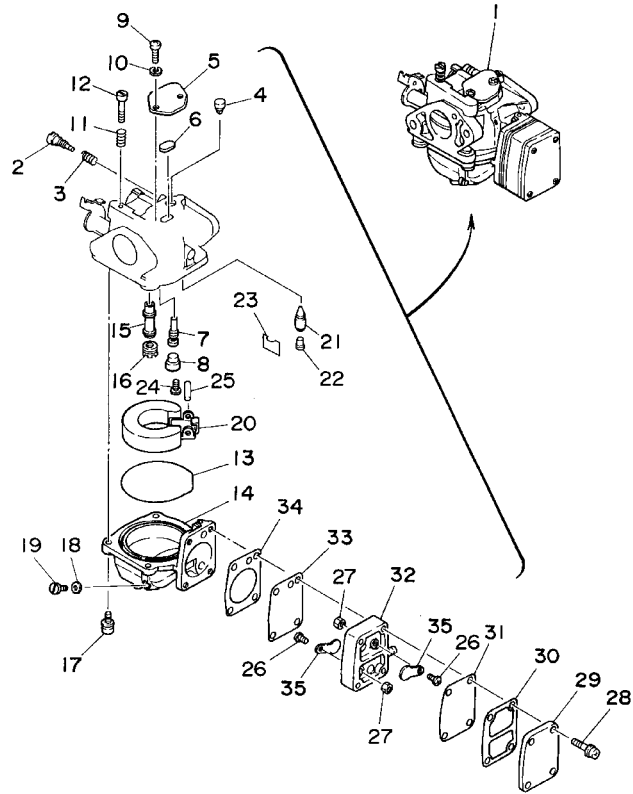
REF. NO.	PART NO. NO. PIECES	DESCRIPTION DESCRIPTION	6C	6D	6E	REMARKS REMARQUES
1	6H6-14301-01	CARBURETOR ASSY 1 CARBURATEUR COMPLET 1	1			
	6H8-14301-01	CARBURETOR ASSY 1 CARBURATEUR COMPLET 1		1		
	6G1-14301-01	CARBURETOR ASSY 1 CARBURATEUR COMPLET 1			1	
2	679-14923-00	.SCREW, PILOT .VIS, RALENTI	1	1	1	
3	679-14555-00	.SPRING .RESSORT	1	1	1	
4	6G1-14966-00	.CAP .CAPUCHON	1	1	1	
5	6G1-14527-00	.PLATE .PLAQUE	1	1	1	
6	6G1-14126-00	.GASKET .JOINT	1	1	1	
7	6G1-14948-05	.JET (#45) .GICLEUR (#45)	1	1	1	
8	676-14966-00	.CAP .CAPUCHON	1	1	1	
9	97880-04010	.SCREW, PAN HEAD .VIS, TETE TRONCONIQUE	2	2	2	
10	92990-04100	.WASHER, SPRING .RONDELLE, GROWER	2	2	2	
11	90501-10326	.SPRING, COMPRESSION .RESSORT, COMPRESSION	1	1	1	
12	63V-14523-00	.SCREW, STOP .VIS, BUTEE	1	1	1	
13	6G1-14984-00	.O-RING .JOINT TORIQUE	1	1	1	
14	6G1-14980-01	.BODY, FLOAT CHAMBER .CORPS, CUVE DE FLOTTEUR	1	1	1	
15	6H6-14947-00	.JET, NEEDLE .GICLEUR DE STARTER	1			
	6H8-14947-00	.JET, NEEDLE .GICLEUR DE STARTER		1		
	6G1-14947-00	.JET, NEEDLE .GICLEUR DE STARTER			1	
16	676-14943-26	.JET, MAIN (#98) .GICLEUR, PRINCIPAL (#98)	1		1	
	676-14943-27	.JET, MAIN (#100) .GICLEUR, PRINCIPAL (#100)			1	
17	97980-04114	.SCREW, WITH WASHER .VIS, AVEC RONDELLE	4	4	4	
18	65W-14398-00	.GASKET .JOINT	1	1	1	
19	6G1-14992-00	.SCREW, DRAIN .BOUCHON, PURGE	1	1	1	
20	6G1-14985-00	.FLOAT .FLOTTEUR	1	1	1	
21	6G1-14546-01	.VALVE, NEEDLE .POINTEAU	1	1	1	
22	676-14186-00	.PIN, FLOAT .AXE, FLOTTEUR	1	1	1	



6M80010-4050

FIG. 5 CARBURETOR

CARBURATEUR



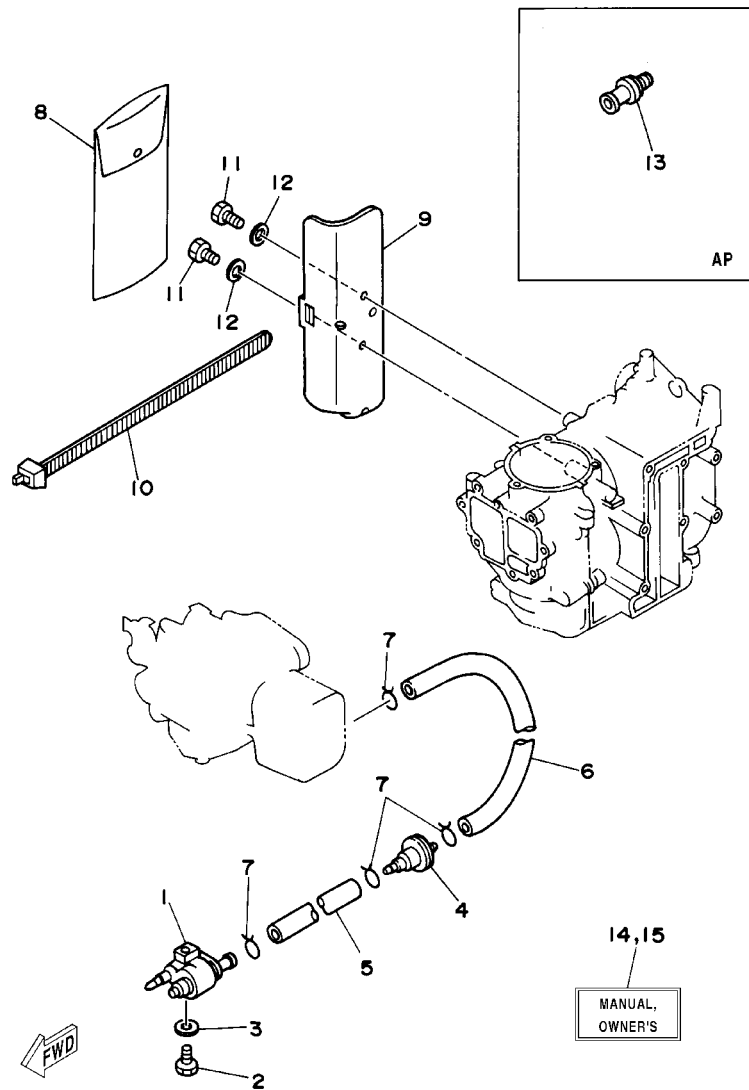
REF. NO.	PART NO. NO. PIECES	DESCRIPTION DESCRIPTION	8C	6D	8C	REMARKS REMARQUES
23	663-14159-00	.CLIP .JONC	1	1	1	
24	98580-04008	.SCREW, PAN HEAD .VIS	1	1	1	
25	688-14548-00	.PIN, FLOAT ARM .AXE, BRAS DE FLOTTEUR	1	1	1	
26	98980-03006	.SCREW, BIND .VIS	2	2	2	
27	95380-03600	.NUT .ECROU	2	2	2	
28	97980-04125	.SCREW, WITH WASHER .VIS, AVEC RONDELLE	4	4	4	
29	6G1-24452-00	.COVER .COUVERCLE	1	1	1	
30	6G1-24432-00	.GASKET, FUEL PUMP 2 .JOINT 2 DE POMPE A ESSENCE	1	1	1	
31	6G1-24471-00	.DIAPHRAGM .DIAPHRAGME	1	1	1	
32	6G1-24412-01	.BODY 1 .CORPS 1	1	1	1	
33	6G1-24411-00	.DIAPHRAGM .DIAPHRAGME	1	1	1	
34	6G1-24431-01	.GASKET, FUEL PUMP 1 .JOINT 1 DE POMPE A ESSENCE	1	1	1	
35	6G1-24421-00	.VALVE, CHECK .SOUPAPE, RETENUE	2	2	2	



6M80010-4050

FIG. 6 FUEL

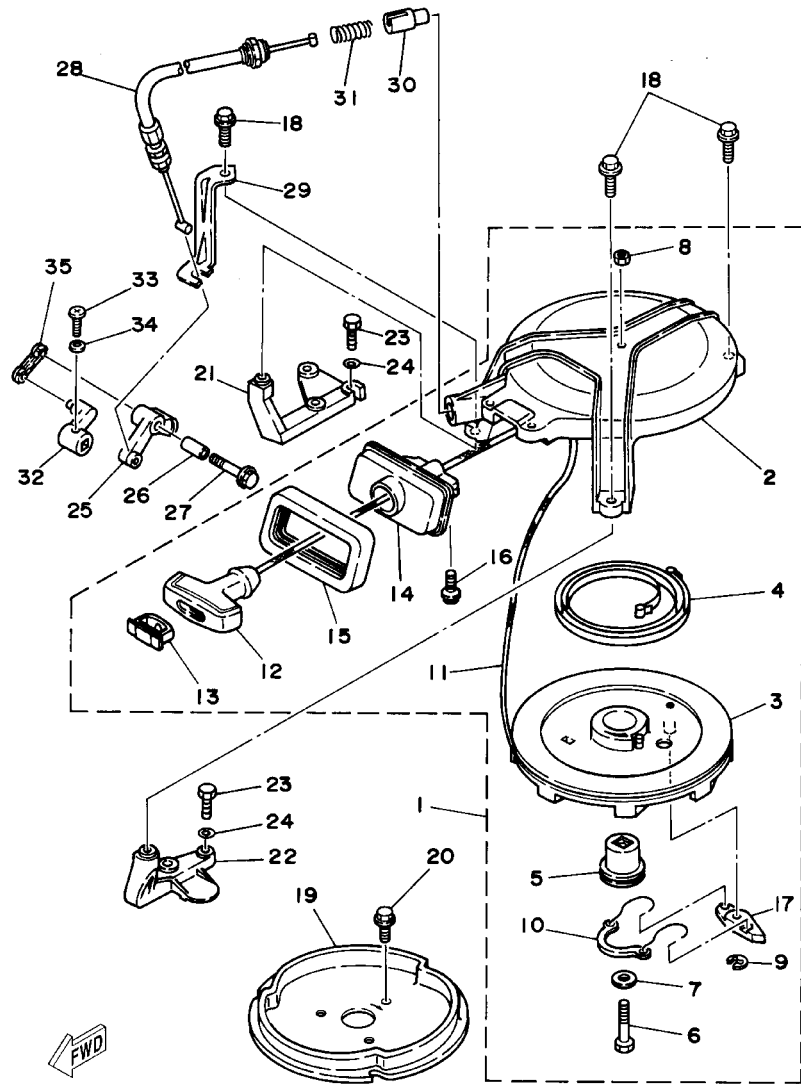
CARBURANT



REF. NO.	PART NO. NO. PIECES	DESCRIPTION DESCRIPTION	8C	6D	8C	REMARKS REMARQUES
1	6G1-24304-02	FUEL PIPE JOINT COMP. 1 DURITE RACCORDEMT. A ESSENCE	1	1	1	
2	97095-06025	BOLT BOULON	1	1	1	
3	92995-06600	WASHER RONDELLE	1	1	1	
4	646-24251-02	STRAINER 1 FILTRE 1	1	1	1	
5	90445-09221	HOSE (L205) DURITE (L205)	1	1	1	
6	90445-09220	HOSE DURITE	1	1	1	
7	90467-08004	CLIP JONC	4	4	4	
8	6N0-F8100-00	TOOL KIT TROUSSE A OUTILS	1	1	1	
9	6N0-F8170-00	TOOL, HOLDER OUTIL	1	1	1	
10	6G1-2811G-00	BAND COLLIER	1	1	1	
11	97095-06012	BOLT BOULON	2	2	2	
12	92995-06600	WASHER RONDELLE	2	2	2	
13	6L8-F8193-00	PLUG, WATER CHECK BOUCHON, CONTROLE D'EAU	1	1	1	AP
14	6M8-F8199-75-A0	MANUAL, OWNER'S MANUEL D'UTILISATION	1	1	1	UR (E,F,S)
	6M8-F8199-75-B0	MANUAL, OWNER'S MANUEL D'UTILISATION	1	1	1	UR (D,NL,I)
15	6M8-F8199-86-A0	MANUAL, OWNER'S MANUEL D'UTILISATION	1	1	1	UR (DK,P,GR)
	6M8-F8199-86-B0	MANUAL, OWNER'S MANUEL D'UTILISATION	1	1	1	UR (N,S,SS)

FIG. 7 STARTER

DEMARREUR

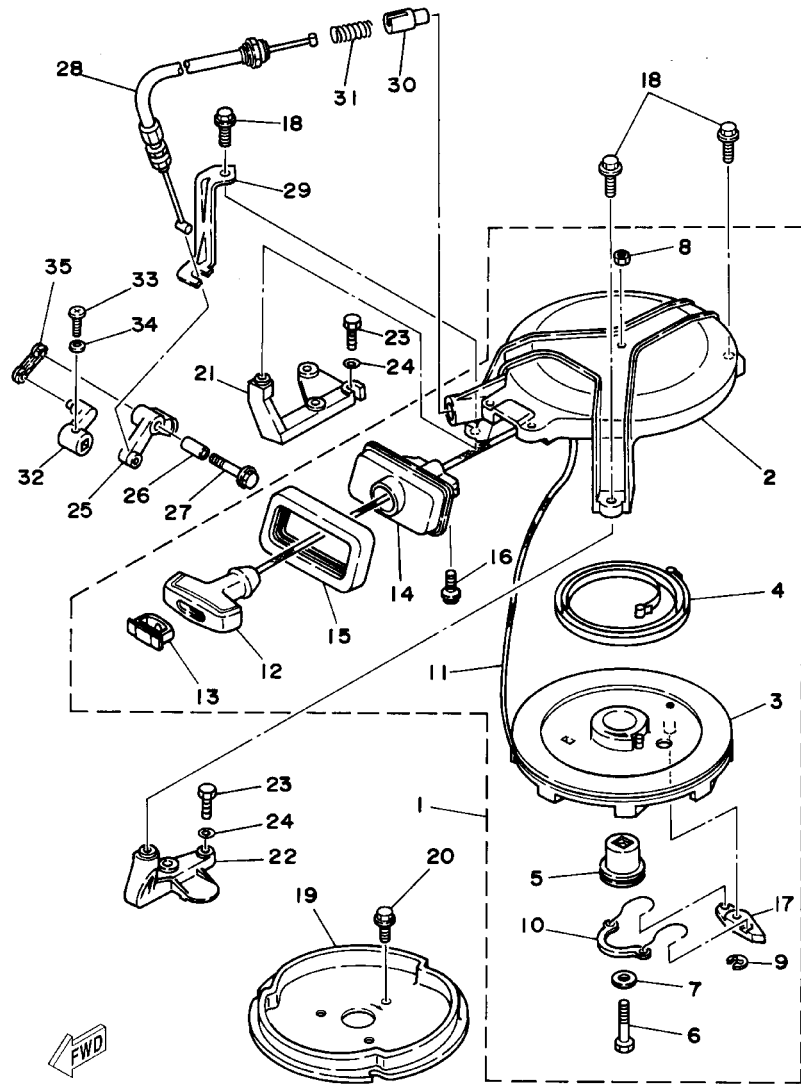


FWD
6M80010-7070

REF. NO.	PART NO. NO. PIECES	DESCRIPTION DESCRIPTION	8C	6D	8C	REMARKS REMARQUES
1	6M8-E5710-03	STARTER ASSY DEMARREUR COMPLET	1	1	1	
2	6N0-E5711-80-94	.CASE, STARTER .CARTER DE DEMARREUR	1	1	1	
3	6M8-E5714-00	.DRUM, SHEAVE .TAMBOUR, POULIE	1	1	1	
4	90510-08M03	.SPRING, SPIRAL .RESSORT, HELICOIDAL	1	1	1	
5	6G1-15717-00	.SHAFT, STARTER .AXE DE DEMARREUR	1	1	1	
6	97013-06035	.BOLT .BOULON	1	1	1	
7	90201-06M30	.WASHER, PLATE .RONDELLE, PLATE	1	1	1	
8	95303-06600	.NUT .ECROU	1	1	1	
9	93430-06M02	.CIRCLIP .CLIPS	1	1	1	
10	6G1-15705-00	.SPRING, DRIVE PAWL .RESSORT DE CLIQUET	1	1	1	
11	*	.WIRE (L1850) .FIL (L1850)	1	1	1	
12	6G1-15755-00	.HANDLE, STARTER .POIGNEE, DE DEMARREUR	1	1	1	
13	6G1-15779-00	.COVER .COUVERCLE	1	1	1	
14	6N0-E5758-00	.GUIDE, ROPE .GUIDE DE CABLE	1	1	1	
15	6G1-15762-00	.SEAL, RUBBER 2 .JOINT CAOUTCHOUC 2	1	1	1	
16	95895-06016	.BOLT, FLANGE .BOULON	2	2	2	
17	677-15741-01	.PAWL, DRIVE .CLIQUET, ENTRAINEMENT	1	1	1	
18	95895-06020	BOLT, FLANGE BOULON	3	3	3	
19	6N0-E5723-00-94	PULLEY, STARTER POULIE DE DEMARREUR	1	1	1	
20	90105-06M29	BOLT, FLANGE BOULON	3	3	3	
21	6N0-E5771-00-94	STAY 1 SUPPORT 1	1	1	1	
22	6N0-E5772-00-94	STAY 2 SUPPORT 2	1	1	1	
23	97075-06020	BOLT BOULON	4	4	4	
24	92995-06600	WASHER RONDELLE	4	4	4	
25	6G1-15746-81	ARM BRAS	1	1	1	
<p>* CUT FROM 50M ROLLS, PART NO. 90890-44372, CUTTING LENGTH 1.85M * A PRELEVER SUR BOBINE 50M , REFERENCE 90890-44372, LONGUEUR DE COUPE 1.85M</p>						

FIG. 7 STARTER

DEMARREUR

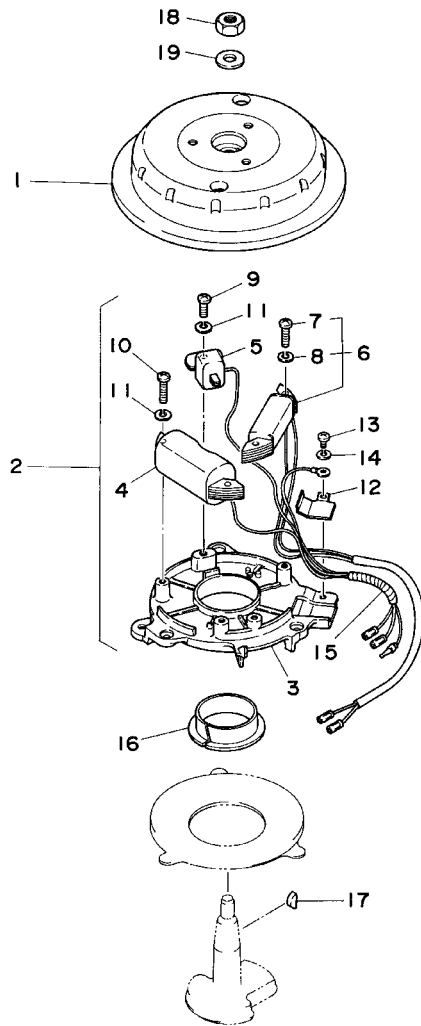


REF. NO.	PART NO. NO. PIECES	DESCRIPTION DESCRIPTION	6C	6D	8C	REMARKS REMARQUES
26	6G1-15764-00	COLLAR 1 COLLERETTE 1	1	1	1	
27	95895-06025	BOLT, FLANGE BOULON	1	1	1	
28	6N0-E5770-80	CABLE COMP., STARTER STOP CABLE, BUTEE DE DEMAR	1	1	1	
29	6G1-15774-81	STAY 4 SUPPORT 4	1	1	1	
30	656-15748-00	PLUNGER, STARTER STOP PLONGEUR, BOUTE DE DEMAR	1	1	1	
31	90501-10227	SPRING, COMPRESSION RESSORT, COMPRESSION	1	1	1	
32	6G1-44125-80	LEVER, SHIFT ROD LEVIER, TIGE D'INVERSION	1	1	1	
33	97880-05016	SCREW, PAN HEAD VIS, TETE TRONCONIQUE	1	1	1	
34	92990-05600	WASHER, PLATE RONDELLE, PLATE	1	1	1	
35	6G1-15747-80	LINK BIELLETTTE	1	1	1	

FWD
6M80010-7070

FIG. 8 GENERATOR

GENERATRICE



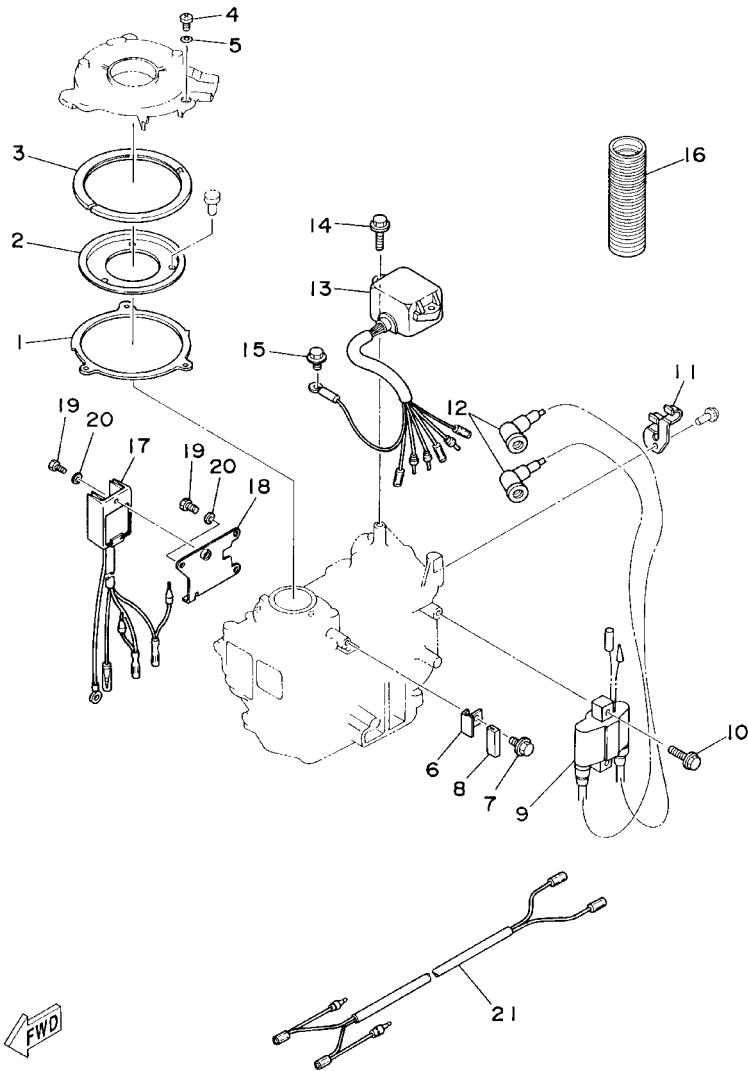
REF. NO.	PART NO. NO. PIECES	DESCRIPTION DESCRIPTION	8C	8D	8E	REMARKS REMARQUES
1	6G1-85550-71	ROTOR ASSY ROTOR CPLT	1	1	1	
2	6G1-85560-F0	BASE ASSY ENS. FLASQUE	1	1	1	
3	6G1-85509-70	.BASE, MAGNETO .BASE, MAGNETO	1	1	1	
4	6E7-85520-70	.COIL, CHARGE .BOBINE, CHARGE	1	1	1	
5	6E7-85580-70	.COIL, PULSER .BOBINE, PULSEUR	1	1	1	
6	6E7-81303-A0	.LIGHTING COIL ASSY .BOBINE D'ECLAIRAGE	1	1	1	
7	97802-05025	..SCREW, PAN HEAD ..VIS	2	2	2	
8	92902-05100	..WASHER, SPRING ..RONDELLE, GROWER	2	2	2	
9	97802-05016	.SCREW, PAN HEAD .VIS	1	1	1	
10	97802-05020	.SCREW, PAN HEAD .VIS	2	2	2	
11	92902-05100	.WASHER, SPRING .RONDELLE, GROWER	3	3	3	
12	6G1-85548-70	.HOLDER .SUPPORT	1	1	1	
13	97802-04008	.SCREW, PAN HEAD .VIS	1	1	1	
14	92902-04100	.WASHER, SPRING .RONDELLE, GROWER	1	1	1	
15	6G1-85515-70	.LEAD WIRE ASSY .FIL	1	1	1	
16	90386-44M42	BUSH DOUILLE	1	1	1	
17	90280-04M06	KEY, WOODRUFF CLAVETTE, DEMI-LUNE	1	1	1	
18	90170-10113	NUT ECROU	1	1	1	
19	90201-10126	WASHER, PLATE RONDELLE, PLATE	1	1	1	



6M80010-4080

FIG. 9 ELECTRICAL

ELECTRIQUE

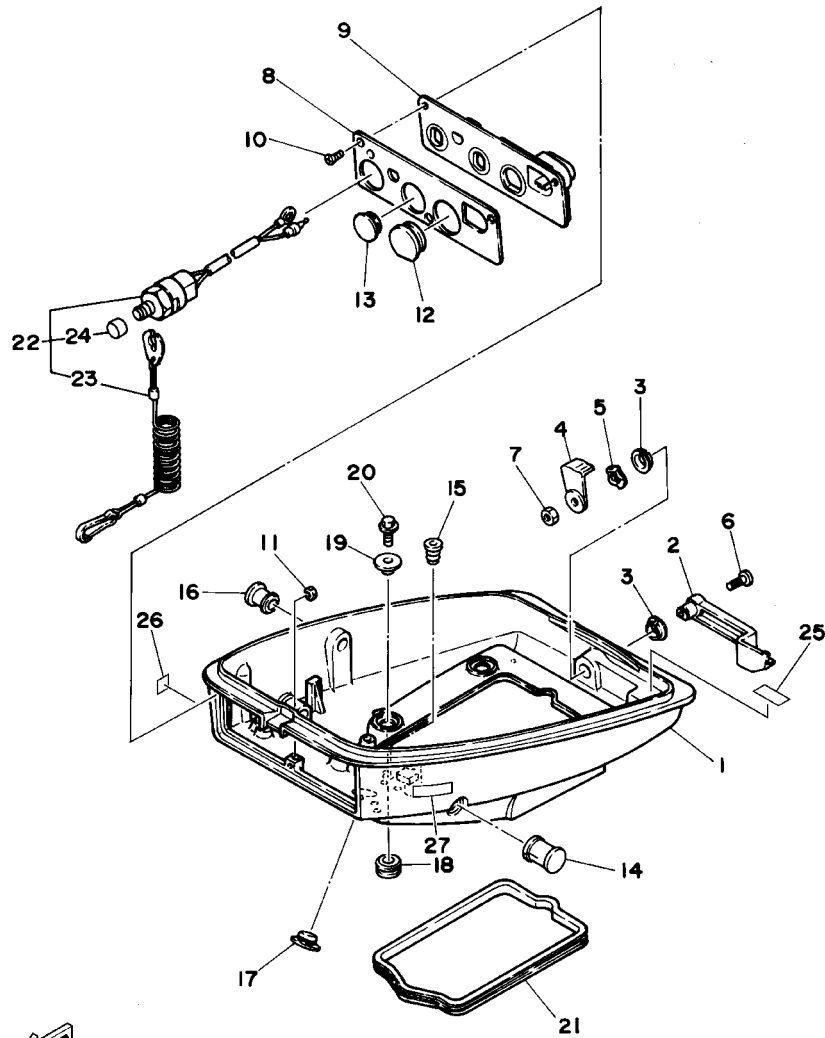


6M80300-7090

REF. NO.	PART NO. NO. PIECES	DESCRIPTION DESCRIPTION	8C	6D	8C		REMARKS REMARQUES
1	6N0-G1611-00	RETAINER, MAGNETO BASE FLASQUE, PLATEAU D'AVANCE	1	1	1		
2	6G1-41612-00	RETAINER, MAGNETO BASE FLASQUE, PLATEAU D'AVANCE	1	1	1		
3	6N0-G1613-00	PLATE, BASE FRICTION PLAQUE, FRICTION DE BASE	1	1	1		
4	97885-05010	SCREW, PAN HEAD VIS, A ENCOCHE	3	3	3		
5	92995-05600	WASHER RONDELLE	3	3	3		
6	6G1-41615-00	STOPPER, MAGNETO BASE BUTEE, PLATEAU D'AVANCE	1	1	1		
7	95895-06010	BOLT, FLANGE BOULON	1	1	1		
8	6G1-44194-00	CAP CAPUCHON	1	1	1		
9	6G1-85570-01	IGNITION COIL ASSY BOBINE D'ALLUMAGE (ENS.)	1	1	1		
10	95895-06025	BOLT, FLANGE BOULON	2	2	2		
11	90465-08M17	CLAMP BRIDE	1	1	1		
12	6G1-82370-21	PLUG CAP ASSY ANTIPARASITE	2	2	2		
13	696-85540-11	C.D.I. UNIT ASSY BLOC C.D.I.	1	1	1		
14	95895-06020	BOLT, FLANGE BOULON	2	2	2		
15	95895-06010	BOLT, FLANGE BOULON	1	1	1		
16	6G1-83557-00	TUBE TUBE	1	1	1		
17	6J8-81960-00	RECTIFIER & REGULATOR ASSY REDRESSEUR REGULATEUR CPLT	1	1	1		
18	6N0-H1915-00	PLATE, REGULATOR FITTING PLAQUE, FIXATION DE REGULATEUR	1	1	1		
19	97095-06012	BOLT BOULON	2	2	2		
20	92995-06600	WASHER RONDELLE	2	2	2		
21	6N0-H2553-10	EXTENSION, WIRE LEAD EXTENSION, FAISCEAU	1	1	1		

FIG. 10 BOTTOM COWLING

CAPOT INFERIEUR

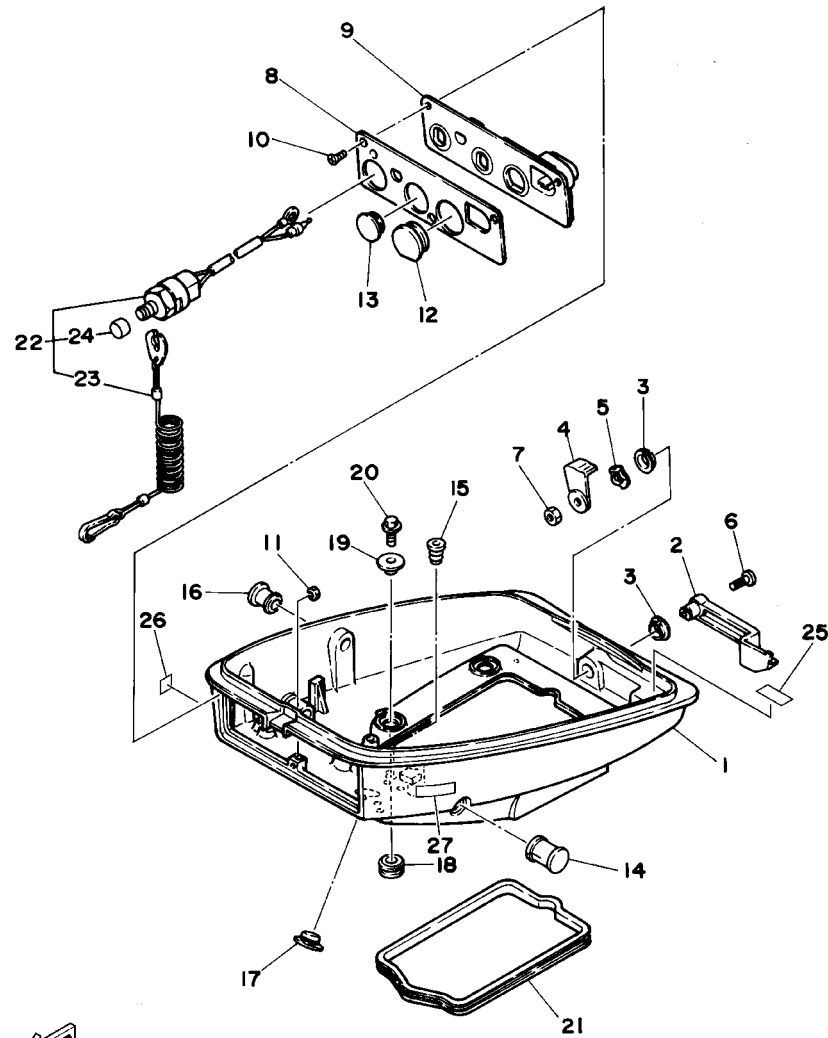


REF. NO.	PART NO. NO. PIECES	DESCRIPTION DESCRIPTION	8C	6D	8C	REMARKS REMARQUES
1	6N0-G2711-00-4D	COWLING, BOTTOM CUVETTE	1	1	1	
2	6N0-G2815-00-4D	LEVER, CLAMP LEVIER, PRESSE	1	1	1	
3	90386-12M45	BUSH DOUILLE	2	2	2	
4	6E0-42816-00	LEVER, CLAMP LEVIER, PRESSE	1	1	1	
5	90206-12052	WASHER, WAVE RONDELLE, ONDULEE	1	1	1	
6	97885-06030	SCREW, PAN HEAD VIS, A ENCOCHE	1	1	1	
7	95380-06700	NUT ECROU	1	1	1	
8	6N0-G2719-80	PANEL, FRONT LOWER PANNEAU, AVANT INFERIEUR	1	1	1	
9	6N0-G2767-00	BRACKET SUPPORT	1	1	1	
10	90149-05M02	SCREW VIS	3	3	3	
11	95380-05700	NUT ECROU	1	1	1	
12	6G1-42724-00	GROMMET PASSE-FIL	1	1	1	
13	6G1-42725-00	GROMMET PASSE-FIL	1	1	1	
14	6G1-42726-00	GROMMET PASSE-FIL	1	1	1	
15	6G1-42727-00	GROMMET PASSE-FIL	1	1	1	
16	6G1-42748-00	GROMMET PASSE-FIL	1	1	1	
17	6G1-26326-00	GROMMET RONDELLE CAOUTCHOUC	1	1	1	
18	90480-15M31	GROMMET PASSE-FIL	4	4	4	
19	90387-06M52	COLLAR COLLERETTE	4	4	4	
20	95895-06020	BOLT, FLANGE BOULON	4	4	4	
21	6N0-G2716-00	RUBBER, SEAL 1 JOINT EN CAOUTCHOUC 1	1	1	1	
22	6E9-82575-02	ENGINE STOP SWITCH ASSY COUPE CIRCUIT CPLT	1	1	1	
23	682-82556-00	.STOPPER .PLAQUETTE	1	1	1	
24	689-8257Y-00	.CAP .CHAPEAU	1	1	1	
25	6E7-42791-10	MARK 1 ETIQUETTE 1	1	1	1	
25	6H8-42791-10	MARK 1 ETIQUETTE 1	1	1	1	
26	6N0-F8176-00	LABEL, CAUTION ETIQUETTE, RECOMMANDATION	1	1	1	

6M81300-2120

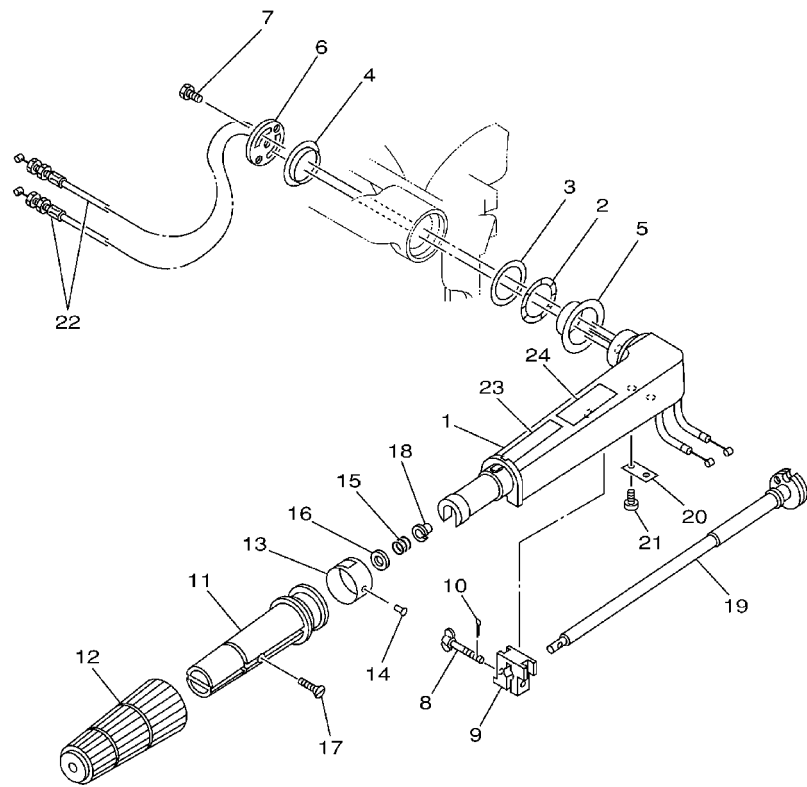
FIG. 10 BOTTOM COWLING

CAPOT INFÉRIEUR



REF. NO.	PART NO. NO. PIECES	DESCRIPTION DESCRIPTION	8C	6D	8C	REMARKS REMARQUES
27	68D-H257H-00	PLATE, MARK PLAQUE, ADHESIF	1	1	1	

6M81300-2120



6M81100-2120

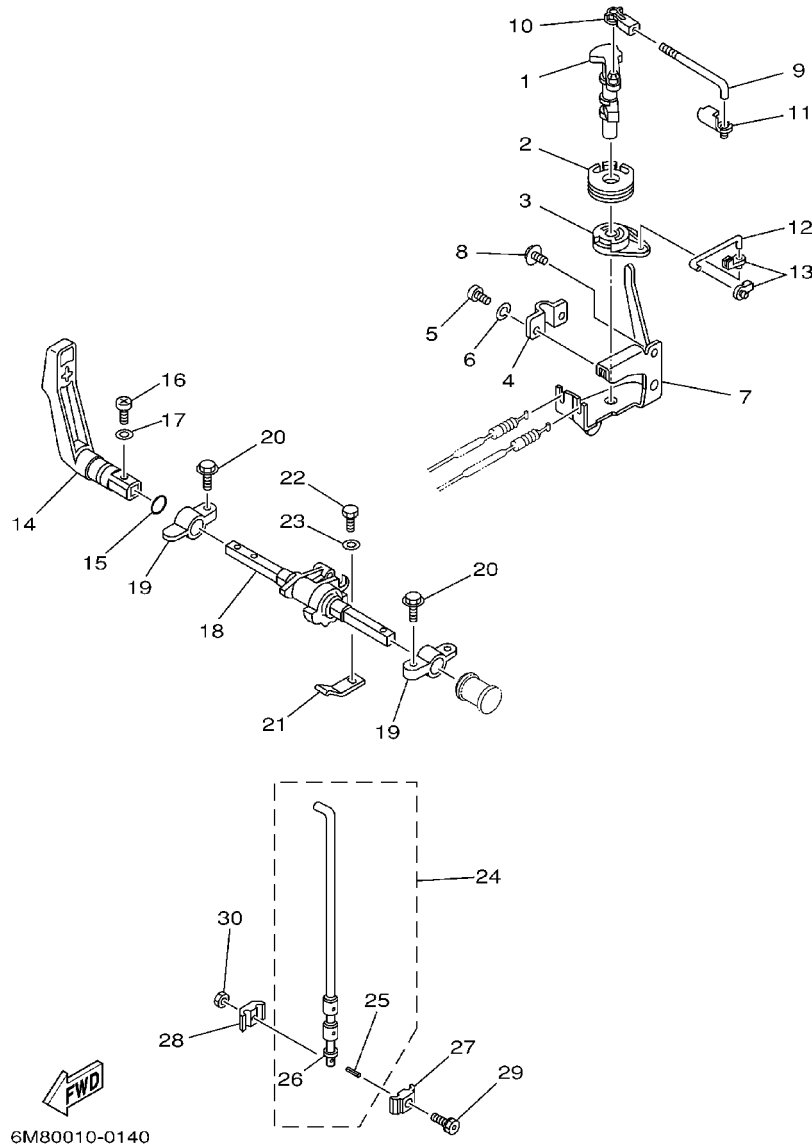
FIG. 11 STEERING

DIRECTION

REF. NO.	PART NO. NO. PIECES	DESCRIPTION DESCRIPTION	DIRECTION			REMARKS REMARQUES
			8C	6D	8C	
1	6M8-G2111-10-4D	HANDLE, STEERING POIGNEE	1	1	1	
2	90206-36M21	WASHER, WAVE RONDELLE, ONDULEE	1	1	1	
3	90202-36M55	WASHER, PLATE RONDELLE, PLATE	1	1	1	
4	90386-33M96	BUSH DOUILLE	1	1	1	
5	90386-34M97	BUSH DOUILLE	1	1	1	
6	6G1-42131-01	COVER, HANDLE STEERING COUVERCLE	1	1	1	
7	97095-06020	BOLT BOULON	1	1	1	
8	6G1-42125-01	BOLT, FRICTION ADJUSTING BOULON	1	1	1	
9	6N0-G2126-00	FRICTION, STEERING HANDLE GRIP CUVETTE, POIGNEE DE DIRECTION	1	1	1	
10	91490-16010	PIN, COTTER GOUILLE	1	1	1	
11	6M4-G2119-00	GRIP, STEERING HANDLE POIGNEE, BARRE FRANCHE	1	1	1	
12	6N0-G2177-00	RUBBER, HANDLE CAOUTCHOUC, POIGNEE	1	1	1	
13	6G1-42137-10	INDICATOR, THROTTLE INDICATEUR, ACCELERATION	1	1	1	
14	90269-02M09	RIVET RIVET	1	1	1	
15	90501-23215	SPRING, COMPRESSION RESSORT, COMPRESSION	1	1	1	
16	92903-10600	WASHER, PLATE RONDELLE, PLATE	1	1	1	
17	90149-05M13	SCREW VIS	1	1	1	
18	90386-08032	BUSH DOUILLE	1	1	1	
19	69M-G2138-00	LEVER, THROTTLE LEVIER, ACCELERATEUR	1	1	1	
20	6E0-42159-02	STAY SUPPORT	1	1	1	
21	97885-05012	SCREW, PAN HEAD VIS, A ENCOCHE	2	2	2	
22	6N0-F6301-00	THROTTLE CABLE ASSY CABLE D'ACCELERATEUR	2	2	2	
23	6E0-83627-41	LABEL, CAUTION 7 ETIQUETTE, RECOMMANDATION 7	1	1	1	
24	6E0-83627-51	LABEL, CAUTION 7 ETIQUETTE, RECOMMANDATION 7	1	1	1	

FIG. 12 CONTROL

COMMANDE

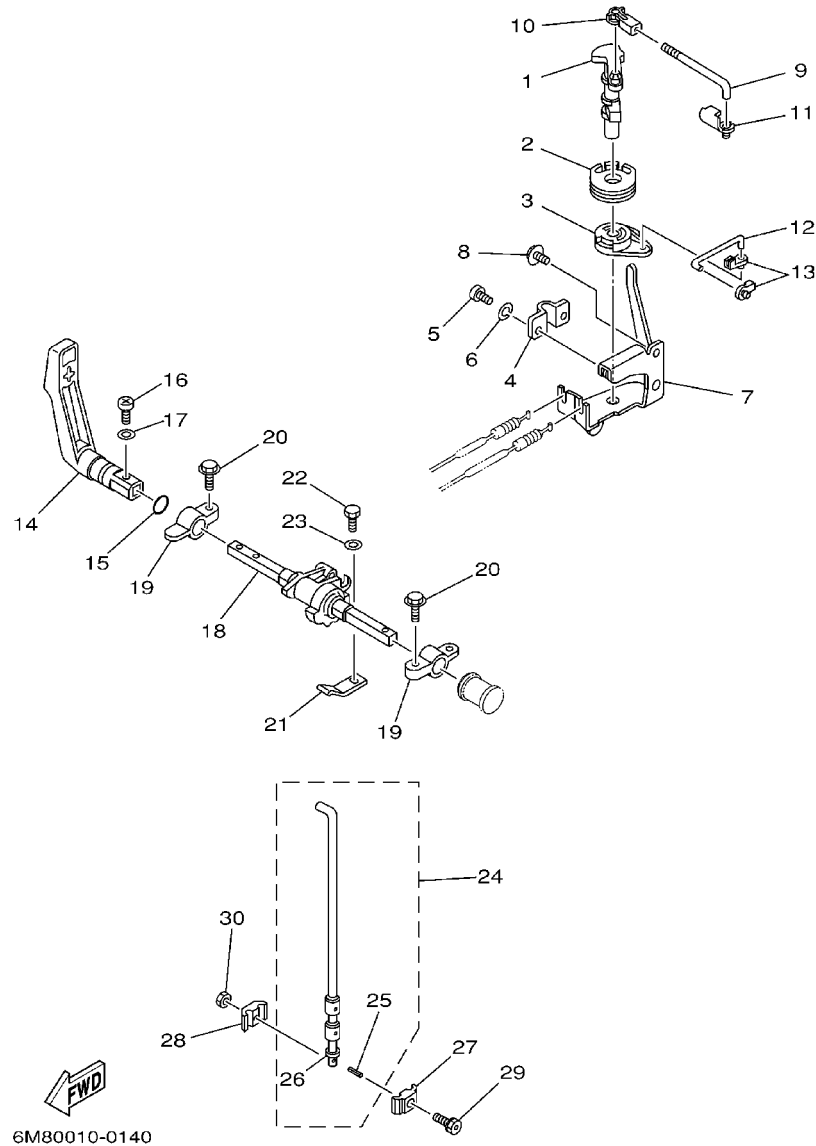


6M80010-0140

REF. NO.	PART NO. NO. PIECES	DESCRIPTION DESCRIPTION	8C	6D	8C		REMARKS REMARQUES
1	6G1-41631-00	LEVER, MAGNETO CONTROL LEVIER, COMMANDE D'AVANCE	1	1	1		
2	6G1-41638-00	PULLEY POULIE	1	1	1		
3	6G1-41283-01	LEVER, FREE ACCEL. LEVIER	1	1	1		
4	6G1-41661-00	BRACKET SUPPORT	1	1	1		
5	97880-05010	SCREW, PAN HEAD VIS, TETE TRONCONIQUE	2	2	2		
6	92990-05100	WASHER, SPRING RONDELLE, GROWER	2	2	2		
7	6G1-14497-80	STAY, THROTTLE WIRE SUPPORT DE BOISSEAU	1	1	1		
8	95895-06010	BOLT, FLANGE BOULON	2	2	2		
9	6G1-41238-00	JOINT, LINK RACCORD	1	1	1		
10	662-41237-01	JOINT, LINK RACCORD	1	1	1		
11	6E9-41237-00	JOINT, LINK RACCORD	1	1	1		
12	6G1-41211-00	LINK, ACCEL. BIELLETTTE, ACCELERATION	1	1	1		
13	661-41262-02	JOINT, CHOKE LEVER RACCORD, LEVIER DE STARTER	2	2	2		
14	6N0-G4111-00	HANDLE, GEAR SHIFT POIGNEE, LEVIER D'EMBRAYAGE	1	1	1		
15	93210-12327	O-RING JOINT TORIQUE	1	1	1		
16	97880-05016	SCREW, PAN HEAD VIS, TETE TRONCONIQUE	1	1	1		
17	92990-05600	WASHER, PLATE RONDELLE, PLATE	1	1	1		
18	6G1-44121-02-94	LEVER, SHIFT ROD LEVIER, TIGE D'INVERSION	1	1	1		
19	6G1-41662-01-94	BRACKET SUPPORT	2	2	2		
20	90105-06M14	BOLT FLANGE BOULON	2	2	2		
21	6G1-44116-01	SPRING RESSORT	1	1	1		
22	97095-06012	BOLT BOULON	1	1	1		
23	92995-06600	WASHER RONDELLE	1	1	1		
24	6N0-G4110-00	SHIFT ROD ASSY TIGE D'INVERSION (ENS.)	1	1	1		
25	91690-20010	.PIN, SPRING .AGRAFFE	3	3	3		
26	92990-05600	.WASHER, PLATE .RONDELLE, PLATE	1	1	1		
27	6N0-G4145-00	CONNECTOR, SHIFT ROD CONNECTEUR, TIGE D'INVERSION	1	1	1		UR

FIG. 12 CONTROL

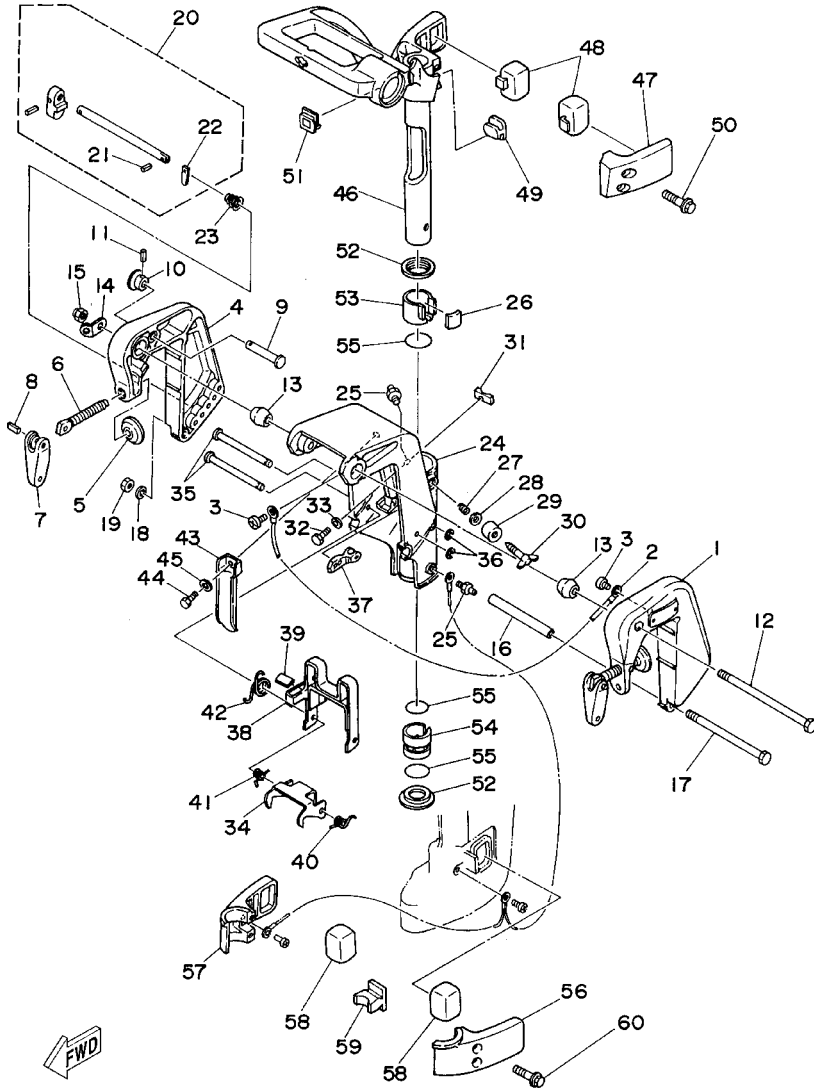
COMMANDE



REF. NO.	PART NO. NO. PIECES	DESCRIPTION DESCRIPTION	8C	6D	8C	REMARKS REMARQUES
27	6N0-G4145-10	CONNECTOR, SHIFT ROD CONNECTEUR, TIGE D'INVERSION	1	1	1	UR
28	6N0-G4146-00	CONNECTOR, SHIFT ROD CONNECTEUR, TIGE D'INVERSION	1	1	1	UR
	6N0-G4146-10	CONNECTOR, SHIFT ROD CONNECTEUR, TIGE D'INVERSION	1	1	1	UR
29	90109-06M17	BOLT BOULON	1	1	1	
30	95380-06600	NUT, HEXAGON ECROU	1	1	1	

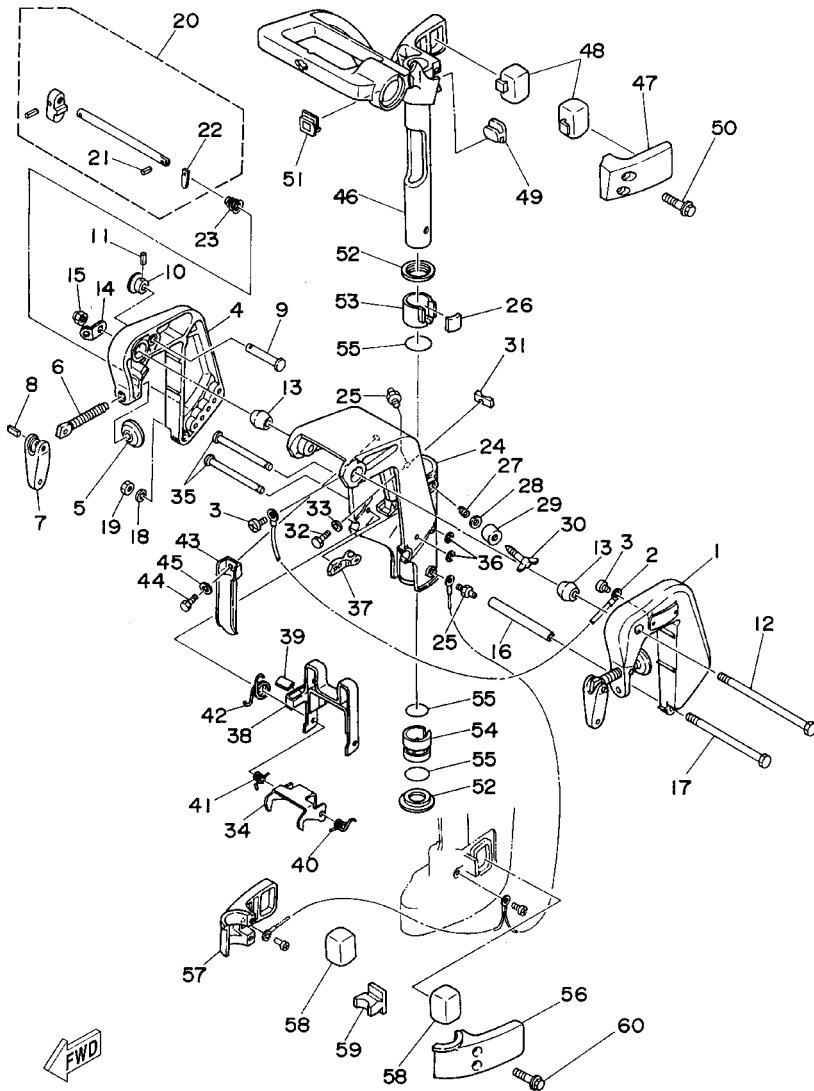
FIG. 13 BRACKET

SUPPORT



6N00110-4140

REF. NO.	PART NO. NO. PIECES	DESCRIPTION DESCRIPTION	8C	6D	8C	REMARKS REMARQUES
1	6M8-G3111-02-4D	BRACKET, CLAMP PRESSE	1	1	1	
2	6E5-82148-00	WIRE, LEAD 4 FIL 4	1	1	1	
3	97885-06008	SCREW, PAN HEAD VIS, A ENCOCHE	2	2	2	
4	6M8-G3112-01-4D	BRACKET, CLAMP PRESSE	1	1	1	
5	620-43114-00	PAD, TRANSOM CLAMP RONDELLE D'APPUI	2	2	2	
6	6N0-G3116-00	SCREW, TRANSOM CLAMP VIS DE PRESSE	2	2	2	
7	6L8-G3118-01	HANDLE, TRANSOM CLAMP POIGNEE DE VIS DE PRESSE	2	2	2	
8	90243-04M01	PIN GOUPILLE	2	2	2	
9	689-43191-00	SHAFT, STOPPER AXE, BUTEE	1	1	1	
10	689-43192-01	KNOB, STOPPER	1	1	1	
11	91690-30016	BOULTON, BUTEE DE RELEVAGE PIN, SPRING AGRAFFE	1	1	1	
12	90101-08869	BOLT BOULON	1	1	1	
13	6N0-G3136-00	PIECE, FRICTION FRICTION	2	2	2	
14	6A1-43113-01	PLATE, CLAMP BRACKET PLAQUETTE, PRESSE	1	1	1	
15	90185-08057	NUT, SELF-LOCKING ECROU, AUTO-BLOCANT	1	1	1	
16	90387-06M13	COLLAR COLLERETTE	1	1	1	
17	97095-06135	BOLT BOULON	1	1	1	
18	92990-06600	WASHER, PLATE RONDELLE, PLATE	1	1	1	
19	95380-06600	NUT, HEXAGON ECROU	1	1	1	
20	6N0-G3160-00	TILT ROD ASSY BROCHE D'INCLINAISON (ENS.)	1	1	1	
21	91690-30008	PIN, SPRING AGRAFFE	1	1	1	
22	6N0-G3165-00	PLATE, TILT LOCK TAQUET, BROCHE INCLINAISON	1	1	1	
23	90502-10M06	SPRING, CONICAL RESSORT, CONIQUE	1	1	1	
24	6N0-G3311-10-4D	BRACKET, SWIVEL 1 SUPPORT, PIVOT 1	1	1	1	
25	93700-06M03	NIPPLE, GREASE PION	2	2	2	
26	6G1-42528-00	PLATE, FRICTION PLAQUE, FRICTION	1	1	1	
27	90501-18M00	SPRING, COMPRESSION RESSORT, COMPRESSION	1	1	1	

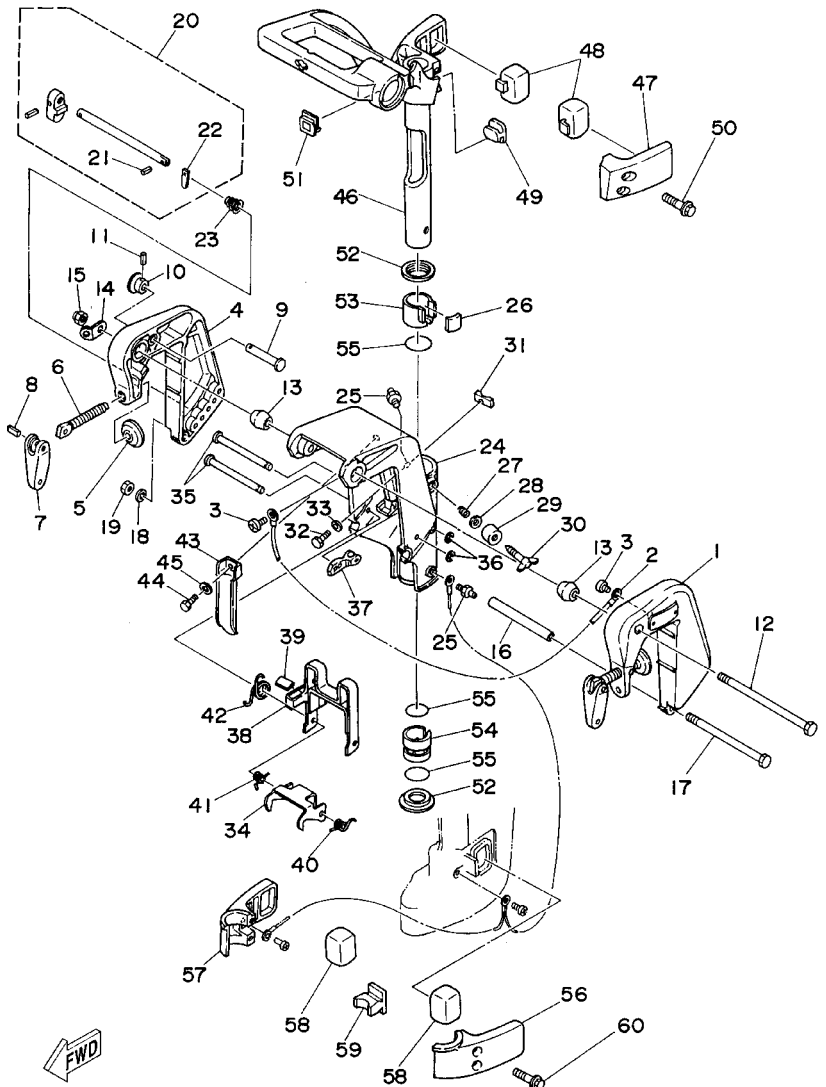


6N00110-4140

FIG. 13 BRACKET

SUPPORT

REF. NO.	PART NO. NO. PIECES	DESCRIPTION DESCRIPTION	8C	6D	8C	REMARKS REMARQUES
28	92990-08600	WASHER, PLATE RONDELLE, PLATE	1	1	1	
29	6G1-43373-00	SEAL, DAMPER JOINT	1	1	1	
30	6G1-42529-00	SCREW, FRICTION PIECE VIS, PIECE DE FRICTION	1	1	1	
31	6G1-44532-01	STOPPER, UPPER MOUNT PLAQUETTE	1	1	1	
32	97095-06010	BOLT BOULON	1	1	1	
33	92995-06600	WASHER RONDELLE	1	1	1	
34	6N0-G3614-00	PLATE, TILT LOCK ETRIER, VERROUILLAGE MARCHE AR	1	1	1	
35	6G1-43659-00	SHAFT, REVERSE LOCK AXE, VERROUILLAGE MARCHE AR	2	2	2	
36	99080-05600	CIRCLIP CIRCLIP	2	2	2	
37	6G1-43615-01	PLATE, TILT LOCK ETRIER, VERROUILLAGE MARCHE AR	1	1	1	
38	6G1-43681-00	LEVER, SHALLOW WATER DRIVE 1 LEVIER, PEU PROFOND D'EAU 1	1	1	1	
39	6G1-43318-01	COVER CAPUCHON	1	1	1	
40	90508-10M15	SPRING, TORSION RESSORT, TORSION	1	1	1	
41	90508-10M16	SPRING, TORSION RESSORT, TORSION	1	1	1	
42	90508-14M17	SPRING, TORSION RESSORT, TORSION	1	1	1	
43	6N0-G2731-00	CARRYING HANDLE POIGNEE DE PORTAGE	1	1	1	
44	97095-08016	BOLT BOULON	1	1	1	
45	92995-08600	WASHER RONDELLE	1	1	1	
46	6M8-G2511-00-4D	BRACKET, STEERING CADRE, DIRECTION	1	1	1	
47	6G1-44511-00-4D	COVER, UPPER MOUNT COUVERCLE, SUSPENSION SUPERIEU	1	1	1	
48	6N0-G4514-00	MOUNT DAMPER, UPPER SIDE SILENT-BLOC, SUPERIEUR LATERAL	2	2	2	
49	6G1-44516-00	MOUNT DAMPER, UPPER FRONT SILENT-BLOC, SUPERIEUR AVANT	1	1	1	
50	95895-06035	BOLT, FLANGE BOULON	2	2	2	
51	6G1-42551-00	GROMMET PASSE-FIL	1	1	1	
52	6G1-42535-00	WASHER, THRUST RONDELLE DE CALAGE	2	2	2	
53	6G1-42537-00	BUSHING, PIVOT SHAFT COUSSINET	1	1	1	
54	6G1-42538-01	BUSHING, PIVOT SHAFT COUSSINET	1	1	1	



6N00110-4140

FIG. 13 BRACKET

SUPPORT

REF. NO.	PART NO. NO. PIECES	DESCRIPTION DESCRIPTION	8C	6D	8C	REMARKS REMARQUES
55	93210-30M31	O-RING JOINT TORIQUE	3	3	3	
56	6N0-G4551-00-4D	HOUSING, LOWER MOUNT RUBBER BOITIER, SILENT-BLOC INFÉRIEUR	1	1	1	
57	6N0-G4552-00-4D	HOUSING, LOWER MOUNT RUBBER BOITIER, SILENT-BLOC INFÉRIEUR	1	1	1	
58	6N0-G4555-A0	MOUNT DAMPER, LOWER SIDE SILENT-BLOC, INFÉRIEUR LATERAL	2	2	2	
59	6N0-G4557-A0	MOUNT DAMPER, LOWER FRONT SILENT-BLOC, INFÉRIEUR AVANT.	1	1	1	
60	95895-06035	BOLT, FLANGE BOULON	2	2	2	

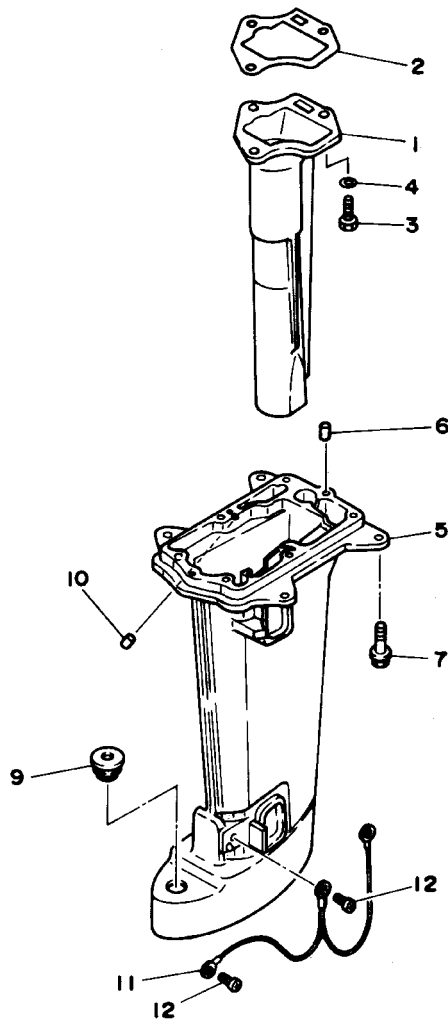
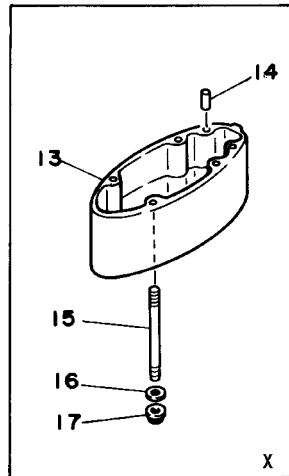
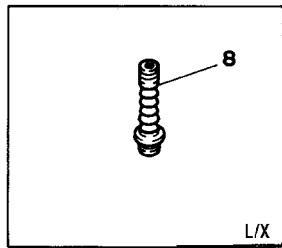


FIG. 14 UPPER CASING

FOURREAU

REF. NO.	PART NO. NO. PIECES	DESCRIPTION DESCRIPTION	8C	6D	8C		REMARKS REMARQUES
1	6M8-G1131-00-5B	MANIFOLD, EXT. 1 PIPE D'ECHAPPEMENT	1				
	6M9-G1131-00-5B	MANIFOLD, EXT. 1 PIPE D'ECHAPPEMENT		1			
	6N0-G1131-00-5B	MANIFOLD, EXT. 1 PIPE D'ECHAPPEMENT			1		
2	6G1-41133-A0	GASKET, EXHAUST MANIFOLD 1 JOINT, PIPE D'ECHAPPEMENT	1	1	1		
3	97095-06020	BOLT BOULON	3	3	3		
4	92995-06600	WASHER RONDELLE	3	3	3		
5	6N0-G5111-00-4D	CASING, UPPER FOURREAU	1	1	1		S
	6N0-G5111-10-4D	CASING, UPPER FOURREAU	1	1	1		L/X
6	93604-08062	PIN, DOWEL CLAVETTE	2	2	2		
7	95895-06030	BOLT, FLANGE BOULON	6	6	6		
8	655-44147-00	BOOT, SHIFT ROD SOUFFLET, TIGE D'INVERSION	1	1	1		L/X
9	90480-20M29	GROMMET PASSE-FIL	1	1	1		S
10	6G1-45135-00	PIPE TUYAU	1	1	1		
11	6G1-82149-00	WIRE, LEAD 3 FIL 3	1	1	1		
12	97885-06008	SCREW, PAN HEAD VIS, A ENCOCHE	2	2	2		
13	6G1-45211-20-4D	EXTENSION EXTENSION			1		X
14	93604-08062	PIN, DOWEL CLAVETTE			2		X
15	90116-06M18	BOLT, STUD GOUJON			4		X
16	92990-06600	WASHER, PLATE RONDELLE, PLATE			4		X
17	95780-06300	NUT, FLANGE ECROU			4		X



6M81010-7160

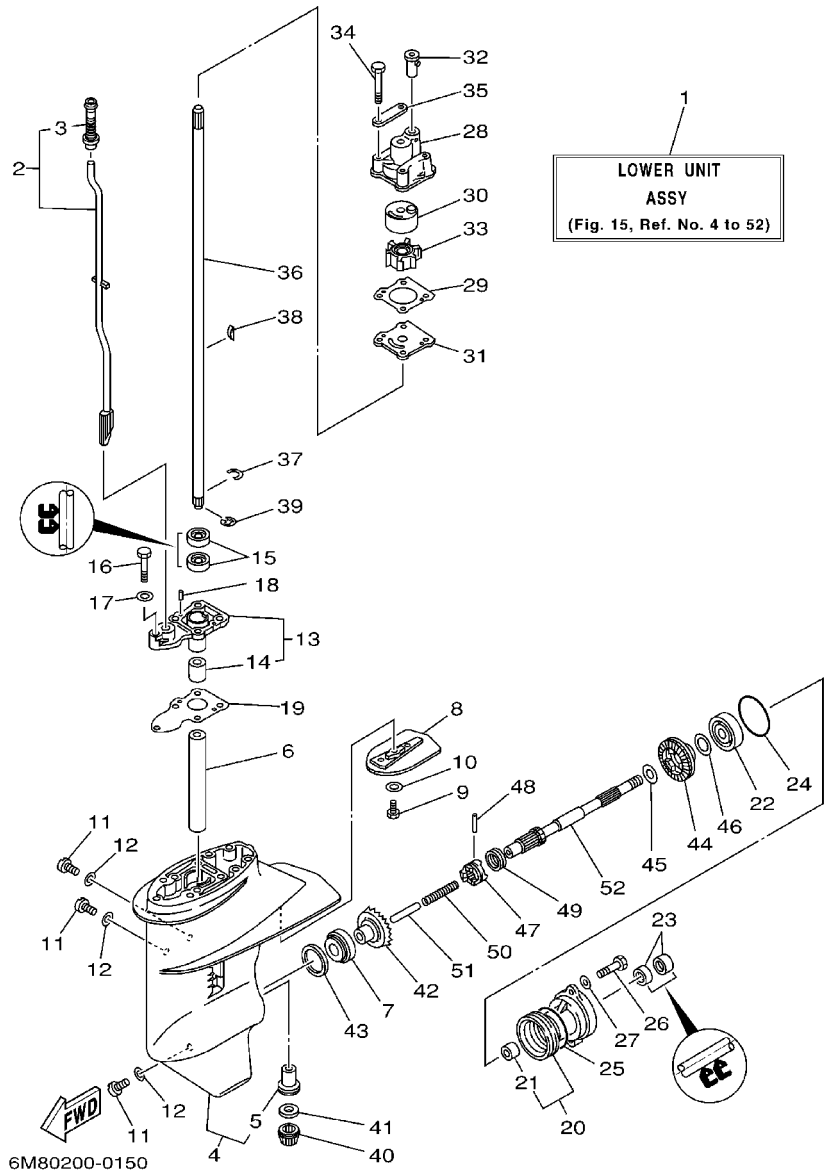


FIG. 15 LOWER CASING, DRIVE 1

BOITIER D'HELICE, TRANSMISSION

REF. NO.	PART NO. NO. PIECES	DESCRIPTION DESCRIPTION	8C	6D	8C	REMARKS REMARQUES
1	6M8-G5300-00-4D	LOWER UNIT ASSY UNITE INFERIEURE (ENS.)	1	1	1	S
	6M8-G5300-10-4D	LOWER UNIT ASSY UNITE INFERIEURE (ENS.)	1	1	1	L
	6M8-G5300-20-4D	LOWER UNIT ASSY UNITE INFERIEURE (ENS.)			1	X
2	6N0-G4150-00	SHIFT CAM ASSY CAME D'INVERSION	1	1	1	S
	6N0-G4150-10	SHIFT CAM ASSY CAME D'INVERSION	1	1	1	L
	6N0-G4150-20	SHIFT CAM ASSY CAME D'INVERSION			1	X
3	6G1-44147-00	.BOOT, SHIFT ROD .SOUFFLET, TIGE D'INVERSION	1	1	1	
4	6N0-G5311-00-4D	CASING, LOWER BOITIER D'HELICE	1	1	1	
5	6G1-45317-09	.BUSHING, DRIVE SHAFT .DOUILLE, ARBRE MOTEUR	1	1	1	
6	90387-14M49	COLLAR COLLERETTE	1	1	1	
7	93332-000U4	BEARING ROULEMENT	1	1	1	
8	6N0-G5251-00	ANODE ANODE	1	1	1	
9	97095-06016	BOLT BOULON	1	1	1	
10	92990-06300	WASHER, INTERNAL TOOTH RONDELLE, DENTURE INTERNE	1	1	1	
11	90340-08002	PLUG, STRAIGHT SCREW PLOT, FILETE DROIT	3	3	3	
12	90430-08020	GASKET JOINT	3	3	3	
13	6G1-45331-01-5B	HOUSING, BEARING FLASQUE, ROULEMENT	1	1	1	
14	6G1-45316-09	.BUSHING, DRIVE SHAFT .DOUILLE, ARBRE MOTEUR	1	1	1	
15	93101-11M23	OIL SEAL JOINT SPY	2	2	2	
16	97095-06030	BOLT BOULON	1	1	1	
17	92995-06600	WASHER RONDELLE	1	1	1	
18	93604-08062	PIN, DOWEL CLAVETTE	2	2	2	
19	6G1-45315-A0	PACKING, LOWER CASING JOINT, BOITIER D'HELICE	1	1	1	
20	6N0-G5361-00-4D	CAP, LOWER CASING COUVERCLE, BOITIER D'HELICE	1	1	1	
21	6G1-45362-09	.BUSHING .COUSSINET	1	1	1	
22	93306-004U0	BEARING ROULEMENT	1	1	1	
23	93101-15074	OIL SEAL JOINT SPY	2	2	2	

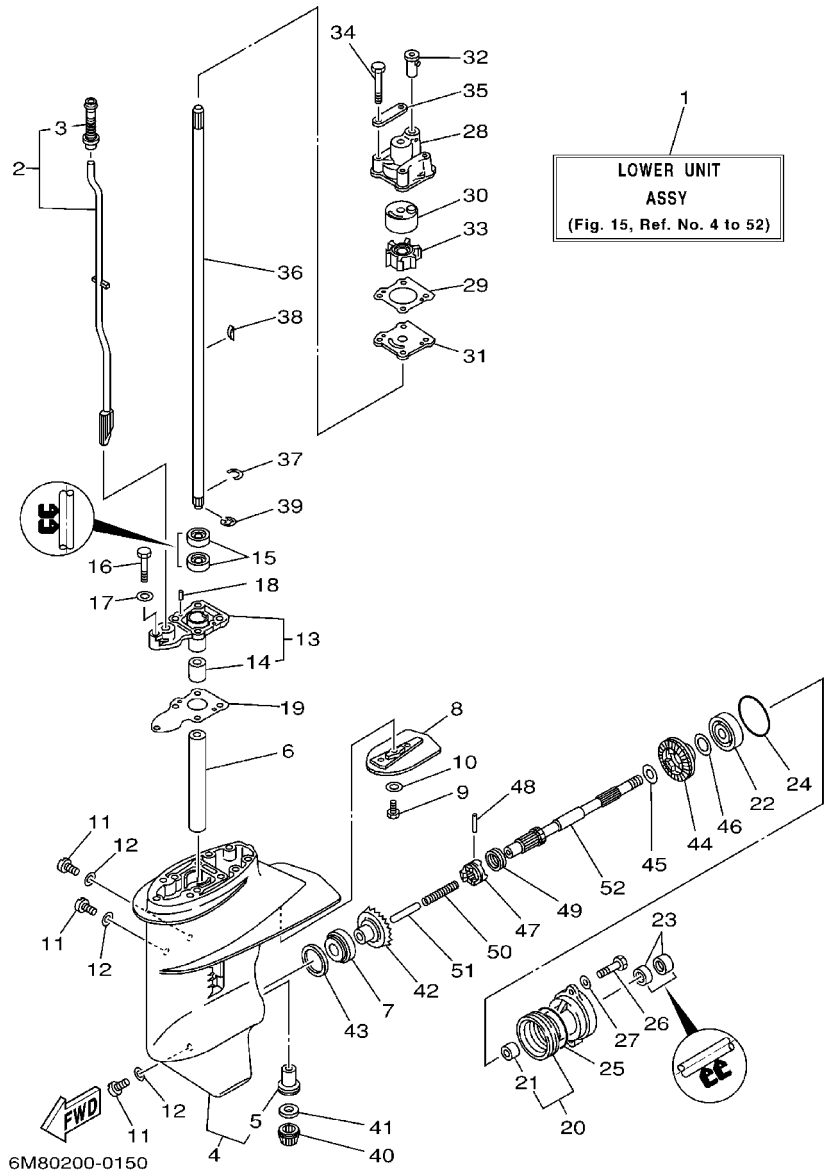


FIG. 15 LOWER CASING. DRIVE 1

BOITIER D'HELICE, TRANSMISSION

REF. NO.	PART NO. NO. PIECES	DESCRIPTION DESCRIPTION	8C	6D	8C		REMARKS REMARQUES
24	93210-49046	O-RING JOINT TORIQUE	1	1	1		
25	93210-53M08	O-RING JOINT TORIQUE	1	1	1		
26	97095-06016	BOLT BOULON	2	2	2		
27	92995-06600	WASHER RONDELLE	2	2	2		
28	6N0-G4311-00	HOUSING, WATER PUMP CORPS, POMPE A EAU	1	1	1		
29	6G1-44315-A0	GASKET, WATER PUMP JOINT, POMPE A EAU	1	1	1		
30	6G1-44322-00	INSERT, CARTRIDGE CUVETTE	1	1	1		
31	6G1-44323-00	OUTER PLATE, CARTRIDGE PLAQUE EXTERIEURE	1	1	1		
32	647-44366-00	DAMPER, WATER SEAL JOINT, TUBE D'EAU	1	1	1		
33	6G1-44352-00	IMPELLER TURBINE	1	1	1		
34	97095-06045	BOLT BOULON	4	4	4		
35	6G1-44328-00	PLATE PLAQUETTE	2	2	2		
36	6N0-G5511-00	SHAFT, DRIVE ARBRE, MOTEUR	1	1	1		S
	6N0-G5511-10	SHAFT, DRIVE ARBRE, MOTEUR	1	1	1		L
	6N0-G5511-20	SHAFT, DRIVE ARBRE, MOTEUR			1		X
37	90467-09M05	CLIP JONC	1	1	1		
38	90280-03024	KEY, WOODRUFF CLAVETTE, DEMI-LUNE	1	1	1		
39	99001-06600	CIRCLIP CIRCLIP	1	1	1		
40	6N0-G5551-00	PINION PIGNON D'ATTAQUE	1	1	1		
41	6G1-45533-00-19	SHIM (T:1.9MM) CALE (T:1.9MM)	1	1	1		UR
	6G1-45533-00-20	SHIM (T:2.0MM) CALE (T:2.0MM)	1	1	1		UR
	6G1-45533-00-21	SHIM (T:2.1MM) CALE (T:2.1MM)	1	1	1		UR
	6G1-45533-00-22	SHIM (T:2.2MM) CALE (T:2.2MM)	1	1	1		UR
42	6N0-G5560-00	GEAR PIGNON	1	1	1		
43	664-45587-01-10	SHIM (T:0.10MM) CALE (T:0.10MM)	1	1	1		UR
	664-45587-01-12	SHIM (T:0.12MM) CALE (T:0.12MM)	1	1	1		UR
	664-45587-01-15	SHIM (T:0.15MM) CALE (T:0.15MM)	1	1	1		UR

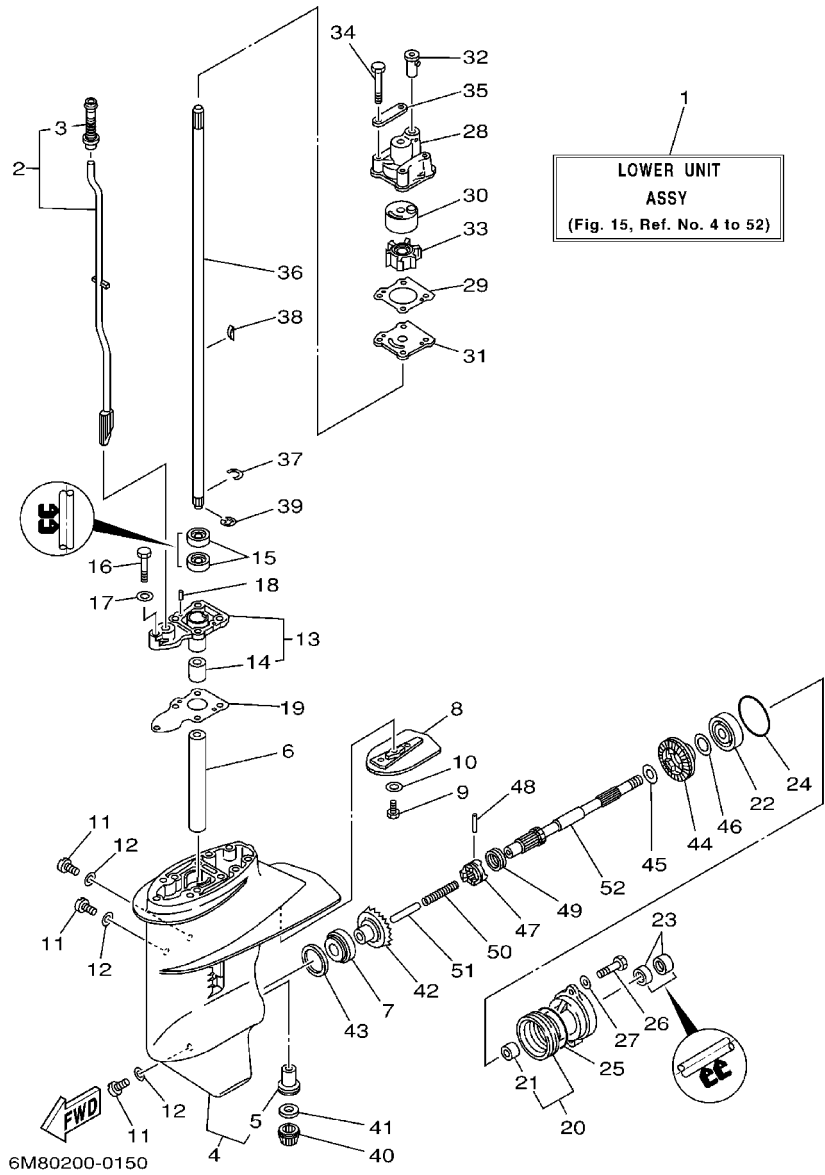


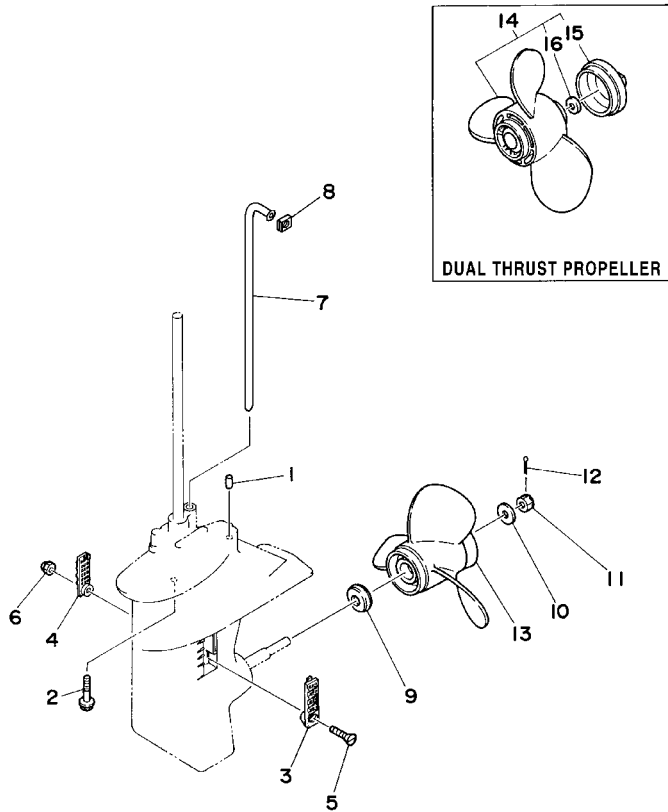
FIG. 15 LOWER CASING. DRIVE 1

BOITIER D'HELICE, TRANSMISSION

REF. NO.	PART NO. NO. PIECES	DESCRIPTION DESCRIPTION	8C	6D	8C		REMARKS REMARQUES
43	664-45587-01-18	SHIM (T:0.18MM) CALE (T:0.18MM)	1	1	1		UR
	664-45587-01-30	SHIM (T:0.30MM) CALE (T:0.30MM)	1	1	1		UR
	664-45587-01-40	SHIM (T:0.40MM) CALE (T:0.40MM)	1	1	1		UR
	664-45587-01-50	SHIM (T:0.50MM) CALE (T:0.50MM)	1	1	1		UR
44	6N0-G5571-00	GEAR PIGNON	1	1	1		
45	90201-15M89	WASHER, PLATE RONDELLE, PLATE	1	1	1		
46	647-45567-00	SHIM (T:0.10MM) CALE (T:0.10MM)	1	1	1		UN
47	6G1-45631-00	CLUTCH, DOG CRABOT	1	1	1		
48	6G1-45632-00	PIN, CROSS GOUPILLE DE CRABOT	1	1	1		
49	654-45633-00	RING, CROSS PIN JONC, GOUPILLE CRABOT	1	1	1		
50	90501-12M38	SPRING, COMPRESSION RESSORT, COMPRESSION	1	1	1		
51	6G1-45635-00	PLUNGER, SHIFT POUSOIR D'EMBAYAGE	1	1	1		
52	6G1-45611-01	SHAFT, PROPELLER ARBRE, HELICE	1	1	1		

FIG. 16 LOWER CASING. DRIVE 2

BOITIER D'HELICE, TRANSMISSION 2



DUAL THRUST PROPELLER

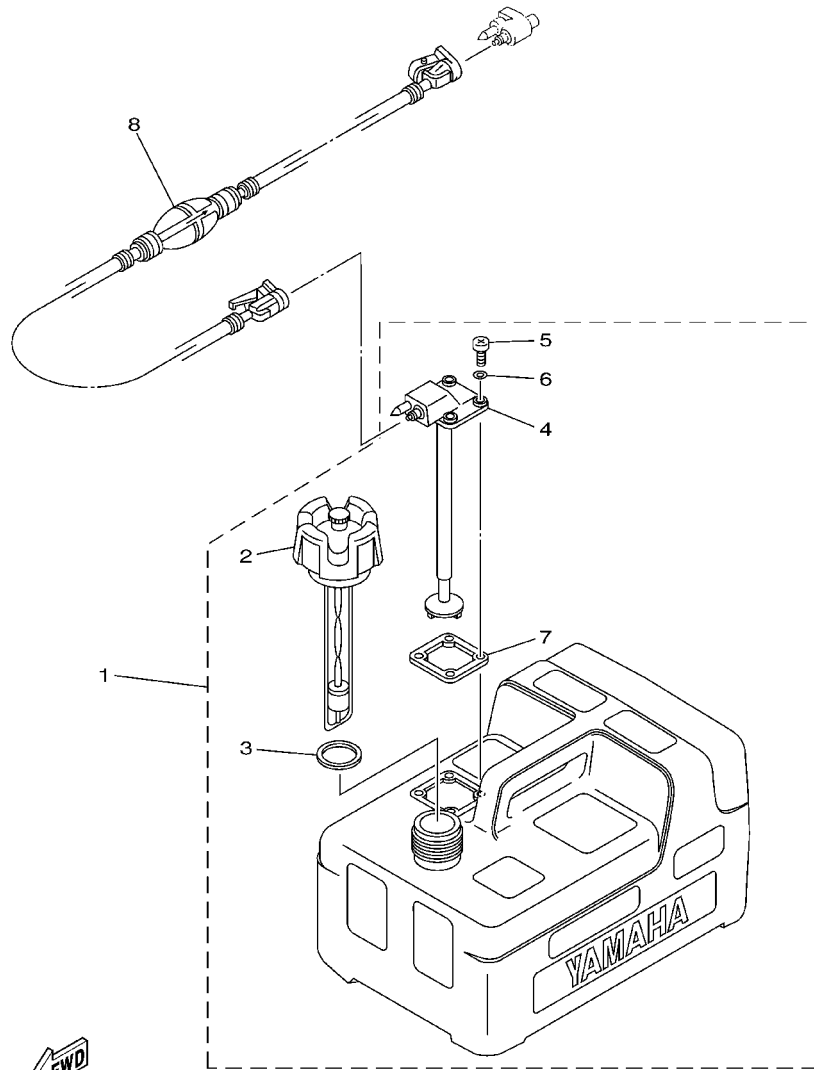
REF. NO.	PART NO. NO. PIECES	DESCRIPTION DESCRIPTION	8C	6D	8C		REMARKS REMARQUES
1	93604-08062	PIN, DOWEL CLAVETTE	2	2	2		
2	95895-06030	BOLT, FLANGE BOULON	4	4	4		S/L
3	6G1-45214-00	COVER, WATER INLET GRILLE, ENTREE D'EAU	1	1	1		
4	6G1-45215-00	COVER, WATER INLET GRILLE, ENTREE D'EAU	1	1	1		
5	90152-05M03	SCREW, COUNTERSUNK VIS, TETE NOYEE	1	1	1		
6	90185-05002	NUT, SELF-LOCKING ECROU, AUTO-BLOCANT	1	1	1		
7	6N0-G4361-00	TUBE, WATER TUBE D'EAU	1	1	1		S
	6N0-G4361-10	TUBE, WATER TUBE D'EAU	1	1	1		L
	6N0-G4361-20	TUBE, WATER TUBE D'EAU			1		X
8	6G1-44365-00	DAMPER, WATER SEAL JOINT, TUBE D'EAU	1	1	1		
9	6N0-G5987-00	SPACER ENTRETOISE	1	1	1		UR
	6N0-G5987-10	SPACER ENTRETOISE	1	1	1		UR
10	90201-10M01	WASHER, PLATE RONDELLE, PLATE	1	1	1		
11	90171-10M01	NUT, CASTLE ECROU, CRENELE	1	1	1		
12	91490-30020	PIN, COTTER GOUPILLE	1	1	1		
13	6G1-45941-00-EL	PROPELLER (3X8-1/2"X8-1/2"-N) HELICE (3X8-1/2"X8-1/2"-N)	1	1	1		UR
	6G1-45943-00-EL	PROPELLER (3X8-1/2"X7-1/2"-N) HELICE (3X8-1/2"X7-1/2"-N)	1	1	1		UR
	6G1-45947-00-EL	PROPELLER (3X8-1/2"X6-1/2"-N) HELICE (3X8-1/2"X6-1/2"-N)	1	1	1		UR
14	6G1-W4591-01-EL	PROPELLER (3X9"X7"-N) HELICE (3X9"X7"-N)	1	1	1		UR
	6G1-W4592-00-EL	PROPELLER (3X9"X5"-N) HELICE (3X9"X5"-N)	1	1	1		UR
15	6G1-45616-01	NUT, PROPELLER .CONE, HELICE	1	1	1		
16	90201-10M02	WASHER, PLATE .RONDELLE, PLATE	1	1	1		



6M80010-7180

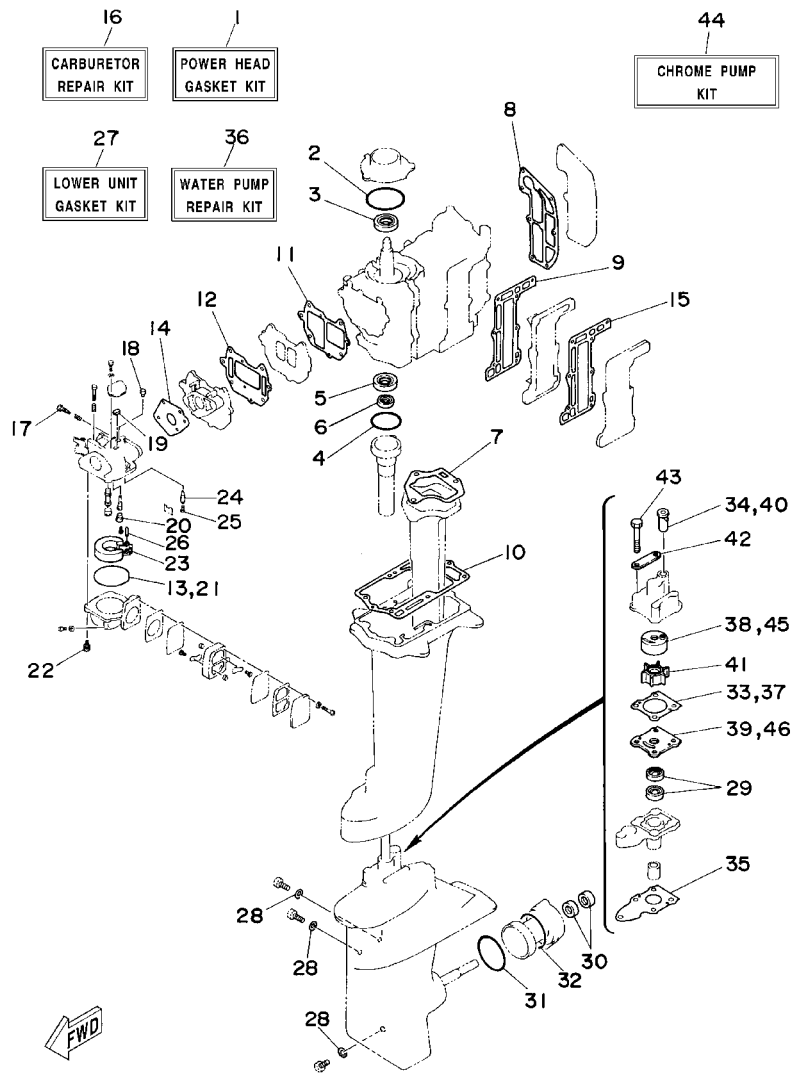
FIG. 17 FUEL TANK

RESERVOIR A CARBURANT



REF. NO.	PART NO. NO. PIECES	DESCRIPTION DESCRIPTION	6C	6D	8C	REMARKS REMARQUES
1	6YL-F4201-02	FUEL TANK ASSY RESERVOIR A ESSENCE (ENS.)	1	1	1	AP
2	6YL-F4610-00	.CAP ASSY .BOUCHON	1	1	1	
3	6YL-F4641-00	.GASKET, CAP 1 .JOINT 1, BOUCHON	1	1	1	
4	6YL-F4260-01	.FUEL METER ASSY .INDICATEUR DE CARBURANT	1	1	1	
5	90157-05811	.SCREW, PAN HEAD .VIS, TETE TRONCONIQUE	4	4	4	
6	6YL-F4329-00	.SEAL .JOINT	4	4	4	
7	6YL-F4268-01	.GASKET, FUEL METER .JOINT, JAUGE A CARBURANT	1	1	1	
8	6YL-24306-52	FUEL PIPE COMP. 1 DURITE A ESSENCE 1	1	1	1	AP

66R0700-9260

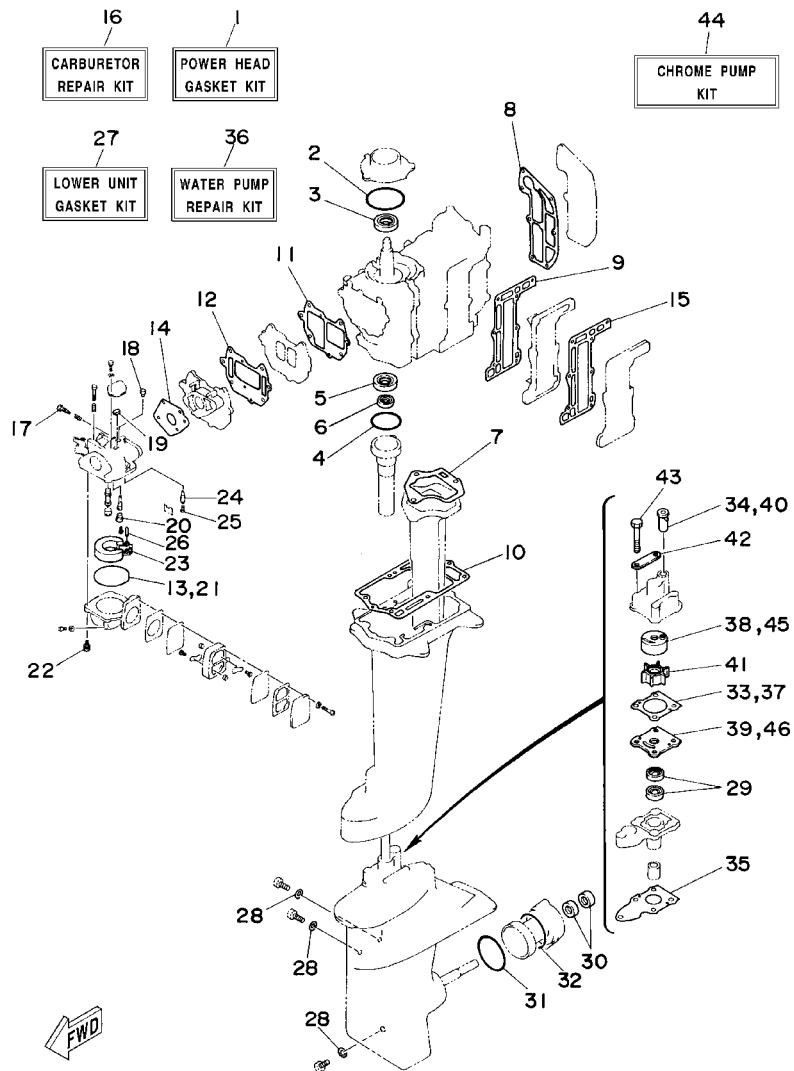


6M80010-7190

FIG. 18 REPAIR KIT

KITS DE REPARATION

REF. NO.	PART NO. NO. PIECES	DESCRIPTION DESCRIPTION	8C	6D	8C	REMARKS REMARQUES
1	6N0-W0001-A0	POWER HEAD GASKET KIT POCHETTE DE JINTS TETE MOTRICE	1	1	1	
2	93210-54M54	.O-RING .JOINT TORIQUE	1	1	1	
3	93102-20M25	.OIL SEAL .JOINT SPY	1	1	1	
4	93210-42159	.O-RING .JOINT TORIQUE	1	1	1	
5	93101-20M34	.OIL SEAL .JOINT SPY	1	1	1	
6	93101-12M26	.OIL SEAL .JOINT SPY	1	1	1	
7	6G1-41133-A0	.GASKET, EXHAUST MANIFOLD 1 .JOINT, PIPE D'ECHAPPEMENT	1	1	1	
8	6G1-11193-A1	.GASKET, HEAD COVER 1 .JOINT, COUVERCLE DE CULASSE 1	1	1	1	
9	6G1-41112-A1	.GASKET, EXHAUST INNER COVER .JOINT, PLAQUE D'ECHAPPEMENT	1	1	1	
10	6G1-45113-A1	.GASKET, UPPER CASING .JOINT, TUBE D'ARBRE	1	1	1	
11	6G1-13621-A1	.GASKET, VALVE SEAT .JOINT, SIEGE DE CLAPET	1	1	1	
12	6G1-13645-A1	.GASKET, MANIFOLD 1 .JOINT, TUBULURE 1	1	1	1	
13	6G1-14984-00	.O-RING .JOINT TORIQUE	1	1	1	
14	6G1-14198-A1	.GASKET .JOINT	1	1	1	
15	6G1-41114-A0	.GASKET, EXHAUST OUTER COVER .JOINT, COUVERCLE D'ECHAPPEMEN	1	1	1	
16	6N0-W0093-00	CARBURETOR REPAIR KIT KIT DE REPARATION CARBURATEUR	1	1	1	
17	679-14923-00	.SCREW, PILOT .VIS, RALENTI	1	1	1	
18	6G1-14966-00	.CAP .CAPUCHON	1	1	1	
19	6G1-14126-00	.GASKET .JOINT	1	1	1	
20	676-14966-00	.CAP .CAPUCHON	1	1	1	
21	6G1-14984-00	.O-RING .JOINT TORIQUE	1	1	1	
22	97980-04114	.SCREW, WITH WASHER .VIS, AVEC RONDELLE	4	4	4	
23	6G1-14985-00	.FLOAT .FLOTTEUR	1	1	1	
24	6G1-14546-01	.VALVE, NEEDLE .POINTEAU	1	1	1	
25	676-14186-00	.PIN, FLOAT .AXE, FLOTTEUR	1	1	1	
26	688-14548-00	.PIN, FLOAT ARM .AXE, BRAS DE FLOTTEUR	1	1	1	
27	6N0-W0001-C0	LOWER UNIT GASKET KIT POCHETTE DE JINTS	1	1	1	



6M80010-7190

FIG. 18 REPAIR KIT

KITS DE REPARATION

REF. NO.	PART NO. NO. PIECES	DESCRIPTION DESCRIPTION	8C	6D	8C	REMARKS REMARQUES
28	90430-08020	.GASKET .JOINT	3	3	3	
29	93101-11M23	.OIL SEAL .JOINT SPY	2	2	2	
30	93101-15074	.OIL SEAL .JOINT SPY	2	2	2	
31	93210-49046	.O-RING .JOINT TORIQUE	1	1	1	
32	93210-53M08	.O-RING .JOINT TORIQUE	1	1	1	
33	6G1-44315-A0	.GASKET, WATER PUMP .JOINT, POMPE A EAU	1	1	1	
34	647-44366-00	.DAMPER, WATER SEAL .JOINT, TUBE D'EAU	1	1	1	
35	6G1-45315-A0	.PACKING, LOWER CASING .JOINT, BOITIER D'HELICE	1	1	1	
36	6N0-W0078-A0	WATER PUMP REPAIR KIT KIT DE REPARATION DE LA POMPE	1	1	1	
37	6G1-44315-A0	.GASKET, WATER PUMP .JOINT, POMPE A EAU	1	1	1	
38	6G1-44322-00	.INSERT, CARTRIDGE .CUVETTE	1	1	1	
39	6G1-44323-00	.OUTER PLATE, CARTRIDGE .PLAQUE EXTERIEURE	1	1	1	
40	647-44366-00	.DAMPER, WATER SEAL .JOINT, TUBE D'EAU	1	1	1	
41	6G1-44352-00	.IMPELLER .TURBINE	1	1	1	
42	6G1-44328-00	.PLATE .PLAQUETTE	2	2	2	
43	97095-06045	.BOLT .BOULON	4	4	4	
44	6N0-W0078-0A	CHROME PUMP KIT KIT DE POMPE A EAU CHROMEE	1	1	1	
45	6G1-44322-40	.INSERT, CARTRIDGE .CUVETTE	1	1	1	
46	6G1-44323-40	.OUTER PLATE, CARTRIDGE .PLAQUE EXTERIEURE	1	1	1	

NUMERICAL INDEX
INDEX NUMERIQUE

PART NO. NO. PIECES	REF. NO.	PART NO. NO. PIECES	REF. NO.	PART NO. NO. PIECES	REF. NO.	PART NO. NO. PIECES	REF. NO.	PART NO. NO. PIECES	REF. NO.	PART NO. NO. PIECES	REF. NO.
6N0-E1191-00-9M	2 - 18	6N0-G2177-00	11 - 12	6M8-G5300-20-4D	15 - 1	6G1-14546-01	18 - 24	6G1-2811G-00	6 - 10	6G1-43373-00	13 - 29
6N0-E1400-00	3 - 1	6M8-G2511-00-4D	13 - 46	6N0-G5311-00-4D	15 - 4	688-14548-00	5 - 25	6G1-41112-A1	2 - 22	6G1-43615-01	13 - 37
6N0-E1412-00	3 - 2	6M8-G2610-30-4D	1 - 1	6N0-G5361-00-4D	15 - 20		18 - 26		18 - 9	6G1-43659-00	13 - 35
6N0-E1422-00	3 - 3	6N0-G2610-30-4D	1 - 1	6N0-G5511-00	15 - 36	679-14555-00	5 - 3	6G1-41113-01-9M	2 - 23	6G1-43681-00	13 - 38
6N0-E1432-00	3 - 4	6N0-G2613-00-4D	1 - 2	6N0-G5511-10	15 - 36	679-14923-00	5 - 2	6G1-41114-A0	2 - 25	6G1-44116-01	12 - 21
6N0-E1442-00	3 - 5	6N0-G2651-00	1 - 8	6N0-G5511-20	15 - 36		18 - 17		18 - 15	6G1-44121-02-94	12 - 18
6N0-E1515-00	3 - 11	6M8-G2677-20	1 - 11	6N0-G5551-00	15 - 40	676-14943-26	5 - 16	6G1-41133-A0	14 - 2	6G1-44125-80	7 - 32
6N0-E1603-00	3 - 16	6N0-G2677-20	1 - 11	6N0-G5560-00	15 - 42	676-14943-27	5 - 16		18 - 7	6G1-44147-00	15 - 3
6N0-E1631-00-98	3 - 15	6M8-G2678-11	1 - 12	6N0-G5571-00	15 - 44	6G1-14947-00	5 - 15	6G1-41211-00	12 - 12	655-44147-00	14 - 8
6N0-E1633-00	3 - 18	6N0-G2678-11	1 - 12	6N0-G5987-00	16 - 9	6H6-14947-00	5 - 15	6E9-41237-00	12 - 11	6E0-44191-11	1 - 13
6N0-E1651-00	3 - 10	6N0-G2711-00-4D	10 - 1	6N0-G5987-10	16 - 9	6H8-14947-00	5 - 15	662-41237-01	12 - 10	6G1-44194-00	9 - 8
6N0-E3641-00-94	4 - 4	6N0-G2716-00	10 - 21	6N0-H1915-00	9 - 18	6G1-14948-05	5 - 7	6G1-41238-00	12 - 9	6G1-44315-A0	15 - 29
6M8-E4417-00	4 - 8	6N0-G2719-80	10 - 8	6N0-H2553-10	9 - 21	6G1-14966-00	5 - 4	6G1-41256-00	4 - 12		18 - 33
6M8-E4418-00	4 - 9	6N0-G2731-00	13 - 43	68D-H257H-00	10 - 27		18 - 18	661-41262-02	4 - 14		18 - 37
6N0-E5100-00-94	2 - 2	6N0-G2767-00	10 - 9	6N0-WE090-01-4D	2 - 1	676-14966-00	5 - 8		12 - 13	6G1-44322-00	15 - 30
6M8-E5710-03	7 - 1	6N0-G2815-00-4D	10 - 2	6N0-WG070-10	1 - 10		18 - 20	6G1-41271-00	4 - 13		18 - 38
6N0-E5711-80-94	7 - 2	6M8-G3111-02-4D	13 - 1	6N0-W0001-A0	18 - 1	6G1-14980-01	5 - 14	6G1-41283-01	12 - 3	6G1-44322-40	18 - 45
6M8-E5714-00	7 - 3	6M8-G3112-01-4D	13 - 4	6N0-W0001-C0	18 - 27	6G1-14984-00	5 - 13	6G1-41612-00	9 - 2	6G1-44323-00	15 - 31
6N0-E5723-00-94	7 - 19	6N0-G3116-00	13 - 6	6G1-W0004-00	4 - 2		18 - 13	6G1-41615-00	9 - 6		18 - 39
6N0-E5758-00	7 - 14	6L8-G3118-01	13 - 7	6N0-W0078-A0	18 - 36		18 - 21	6G1-41631-00	12 - 1	6G1-44323-40	18 - 46
6N0-E5770-80	7 - 28	6N0-G3136-00	13 - 13	6N0-W0078-OA	18 - 44	6G1-14985-00	5 - 20	6G1-41638-00	12 - 2	6G1-44328-00	15 - 35
6N0-E5771-00-94	7 - 21	6N0-G3160-00	13 - 20	6N0-W0093-00	18 - 16		18 - 23	6G1-41661-00	12 - 4		18 - 42
6N0-E5772-00-94	7 - 22	6N0-G3165-00	13 - 22	6G1-W4591-01-EL	16 - 14	6G1-14992-00	5 - 19	6G1-41662-01-94	12 - 19	6G1-44352-00	15 - 33
6YL-F4201-02	17 - 1	6N0-G3311-10-4D	13 - 24	6N0-W4592-00-EL	16 - 14	6G1-15359-01-94	2 - 8	6G1-42125-01	11 - 8		18 - 41
6YL-F4260-01	17 - 4	6N0-G3614-00	13 - 34	6G1-11193-A1	2 - 19	6G1-15396-02-5B	2 - 12	6G1-42131-01	11 - 6	6G1-44365-00	16 - 8
6YL-F4268-01	17 - 7	6N0-G4110-00	12 - 24		18 - 8	6G1-15705-00	7 - 10	6G1-42137-10	11 - 13	647-44366-00	15 - 32
6YL-F4329-00	17 - 6	6N0-G4111-00	12 - 14	6G1-11681-00	3 - 6	6G1-15717-00	7 - 5	6E0-42159-02	11 - 20		18 - 34
6YL-F4610-00	17 - 2	6N0-G4145-00	12 - 27	6E5-12411-01	2 - 7	677-15741-01	7 - 17	6G1-42528-00	13 - 26		18 - 40
6YL-F4641-00	17 - 3	6N0-G4145-10	12 - 27	6G1-13610-01	4 - 1	6G1-15746-81	7 - 25	6G1-42529-00	13 - 30	6G1-44511-00-4D	13 - 47
6N0-F6301-00	11 - 22	6N0-G4146-00	12 - 28	6G1-13621-A1	4 - 3	6G1-15747-80	7 - 35	6G1-42535-00	13 - 52	6G1-44516-00	13 - 49
6N0-F8100-00	6 - 8	6N0-G4146-10	12 - 28		18 - 11	656-15748-00	7 - 30	6G1-42537-00	13 - 53	6G1-44532-01	13 - 31
6N0-F8170-00	6 - 9	6N0-G4150-00	15 - 2	6G1-13645-A1	4 - 5	6G1-15755-00	7 - 12	6G1-42538-01	13 - 54	6G1-45113-A1	2 - 26
6N0-F8176-00	10 - 26	6N0-G4150-10	15 - 2		18 - 12	6G1-15761-00	1 - 5	6G1-42551-00	13 - 51		18 - 10
6L8-F8193-00	6 - 13	6N0-G4150-20	15 - 2	6G1-14126-00	5 - 6	6G1-15762-00	7 - 15	6G1-42615-00	1 - 6	6G1-45135-00	14 - 10
6M8-F8199-75-A0	6 - 14	6N0-G4311-00	15 - 28		18 - 19	6G1-15764-00	7 - 26	6G1-42647-00	1 - 7	6G1-45211-20-4D	14 - 13
6M8-F8199-75-B0	6 - 14	6N0-G4361-00	16 - 7	663-14159-00	5 - 23	6G1-15774-81	7 - 29	6G1-42724-00	10 - 12	6G1-45214-00	16 - 3
6M8-F8199-86-A0	6 - 15	6N0-G4361-10	16 - 7	676-14186-00	5 - 22	6G1-15779-00	7 - 13	6G1-42725-00	10 - 13	6G1-45215-00	16 - 4
6M8-F8199-86-B0	6 - 15	6N0-G4361-20	16 - 7		18 - 25	646-24251-02	6 - 4	6G1-42726-00	10 - 14	6G1-45315-A0	15 - 19
6N0-G1111-00-9M	2 - 21	6N0-G4514-00	13 - 48	6G1-14198-A1	4 - 6	6G1-24304-02	6 - 1	6G1-42727-00	10 - 15		18 - 35
6M8-G1131-00-5B	14 - 1	6N0-G4551-00-4D	13 - 56		18 - 14	6YL-24306-52	17 - 8	6G1-42748-00	10 - 16	6G1-45316-09	15 - 14
6M9-G1131-00-5B	14 - 1	6N0-G4552-00-4D	13 - 57	6G1-14301-01	5 - 1	6G1-24411-00	5 - 33	6E7-42791-10	10 - 25	6G1-45317-09	15 - 5
6N0-G1131-00-5B	14 - 1	6N0-G4555-A0	13 - 58	6H6-14301-01	5 - 1	6G1-24412-01	5 - 32	6H8-42791-10	10 - 25	6G1-45331-01-5B	15 - 13
6N0-G1611-00	9 - 1	6N0-G4557-A0	13 - 59	6H8-14301-01	5 - 1	6G1-24421-00	5 - 35	6E0-42816-00	10 - 4	6G1-45362-09	15 - 21
6N0-G1613-00	9 - 3	6N0-G5111-00-4D	14 - 5	65W-14398-00	5 - 18	6G1-24431-01	5 - 34	6A1-43113-01	13 - 14	6G1-45533-00-19	15 - 41
6M8-G2111-10-4D	11 - 1	6N0-G5111-10-4D	14 - 5	6G1-14497-80	12 - 7	6G1-24432-00	5 - 30	620-43114-00	13 - 5	6G1-45533-00-20	15 - 41
6M4-G2119-00	11 - 11	6N0-G5251-00	15 - 8	63V-14523-00	5 - 12	6G1-24452-00	5 - 29	689-43191-00	13 - 9	6G1-45533-00-21	15 - 41
6N0-G2126-00	11 - 9	6M8-G5300-00-4D	15 - 1	6G1-14527-00	5 - 5	6G1-24471-00	5 - 31	689-43192-01	13 - 10	6G1-45533-00-22	15 - 41
69M-G2138-00	11 - 19	6M8-G5300-10-4D	15 - 1	6G1-14546-01	5 - 21	6G1-26326-00	10 - 17	6G1-43318-01	13 - 39	647-45567-00	15 - 46

NUMERICAL INDEX
INDEX NUMERIQUE

PART NO. NO. PIECES	REF. NO.	PART NO. NO. PIECES	REF. NO.	PART NO. NO. PIECES	REF. NO.	PART NO. NO. PIECES	REF. NO.	PART NO. NO. PIECES	REF. NO.	PART NO. NO. PIECES	REF. NO.
664-45587-01-10	15-43	90149-05M13	11-17	90508-10M15	13-40	93210-42159	2-13	97095-06010	13-32		
664-45587-01-12	15-43	90152-05M03	16-5	90508-10M16	13-41		18-4	97095-06012	6-11		
664-45587-01-15	15-43	90157-05811	17-5	90508-14M17	13-42	93210-49046	15-24		9-19		
664-45587-01-18	15-43	90170-10113	8-18	90510-08M03	7-4		18-31		12-22		
664-45587-01-30	15-43	90171-10M01	16-11	91490-16010	11-10	93210-53M08	15-25	97095-06016	1-3		
664-45587-01-40	15-43	90185-05002	16-6	91490-30020	16-12		18-32		2-16		
664-45587-01-50	15-43	90185-08057	13-15	91609-20008	3-13	93210-54M54	2-9		15-9		
6G1-45611-01	15-52	90201-06M30	7-7	91690-20010	12-25		18-2		15-26		
6G1-45616-01	16-15	90201-10M01	16-10	91690-30008	13-21	93306-004U0	15-22	97095-06020	11-7		
6G1-45631-00	15-47	90201-10M02	16-16	91690-30016	13-11	93306-204U0	3-7		14-3		
6G1-45632-00	15-48	90201-10126	8-19	92902-04100	8-14	93310-112V0	3-17	97095-06025	6-2		
654-45633-00	15-49	90201-15M89	15-45	92902-05100	8-8	93310-418V1	3-8	97095-06030	15-16		
6G1-45635-00	15-51	90201-41303	3-14		8-11	93332-000U4	15-7	97095-06045	15-34		
6G1-45941-00-EL	16-13	90202-36M55	11-3	92903-10600	11-16	93430-06M02	7-9		18-43		
6G1-45943-00-EL	16-13	90206-12052	10-5	92990-04100	5-10	93440-47055	3-12	97095-06135	13-17		
6G1-45947-00-EL	16-13	90206-36M21	11-2	92990-05100	12-6	93450-13022	3-19	97095-08016	13-44		
6E7-81303-A0	8-6	90209-18112	3-9	92990-05600	7-34	93604-08062	2-3	97780-50514	4-11		
6J8-81960-00	9-17	90243-04M01	13-8		12-17		14-6	97802-04008	8-13		
6E5-82148-00	13-2	90266-04M00	1-9		12-26		14-14	97802-05016	8-9		
6G1-82149-00	14-11	90269-02M09	11-14	92990-06300	15-10		15-18	97802-05020	8-10		
6G1-82370-21	9-12	90280-03024	15-38	92990-06600	13-18		16-1	97802-05025	8-7		
682-82556-00	10-23	90280-04M06	8-17		14-16	93700-06M03	13-25	97880-04010	5-9		
689-8257Y-00	10-24	90340-08002	15-11	92990-08600	13-28	94702-00271	2-27	97880-05010	12-5		
6E9-82575-02	10-22	90386-08032	11-18	92995-05600	9-5	94702-00274	2-27	97880-05016	7-33		
6G1-83557-00	9-16	90386-12M45	10-3	92995-06600	1-4	95303-06600	7-8		12-16		
6A1-83625-41	4-15	90386-33M96	11-4		2-17	95380-03600	5-27	97885-05010	9-4		
6A1-83625-51	4-16	90386-34M97	11-5		6-3	95380-05700	10-11	97885-05012	11-21		
6E0-83627-41	11-23	90386-44M42	8-16		6-12	95380-06600	12-30	97885-06008	13-3		
6E0-83627-51	11-24	90387-06M13	13-16		7-24		13-19		14-12		
6G1-85509-70	8-3	90387-06M52	10-19		9-20	95380-06700	10-7	97885-06030	10-6		
6G1-85515-70	8-15	90387-06M70	4-10		12-23	95780-06300	14-17	97980-04114	5-17		
6E7-85520-70	8-4	90387-14M49	15-6		13-33	95895-06010	9-7		18-22		
696-85540-11	9-13	90387-22M50	2-6		14-4		9-15	97980-04125	5-28		
6G1-85548-70	8-12	90430-08020	15-12		15-17		12-8	98580-04008	5-24		
6G1-85550-71	8-1		18-28		15-27	95895-06016	7-16	98980-03006	5-26		
6G1-85560-F0	8-2	90445-09220	6-6	92995-08600	13-45	95895-06020	7-18	99001-06600	15-39		
6G1-85570-01	9-9	90445-09221	6-5	93101-11M23	15-15		9-14	99080-05600	13-36		
6E7-85580-70	8-5	90465-08M17	9-11		18-29		10-20				
90101-08869	13-12	90467-08004	6-7	93101-12M26	2-15	95895-06025	7-27				
90105-06M14	2-20	90467-09M05	15-37		18-6		9-10				
	12-20	90480-15M31	10-18	93101-15074	15-23	95895-06030	14-7				
90105-06M24	2-24	90480-20M29	14-9		18-30		16-2				
90105-06M25	2-5	90501-10227	7-31	93101-20M34	2-14	95895-06035	13-50				
90105-06M26	2-4	90501-10326	5-11		18-5		13-60				
90105-06M29	7-20	90501-12M38	15-50	93102-20M25	2-10	95895-06085	4-7				
90109-06M17	12-29	90501-18M00	13-27		18-3	97013-06016	2-11				
90116-06M18	14-15	90501-23215	11-15	93210-12327	12-15	97013-06035	7-6				
90149-05M02	10-10	90502-10M06	13-23	93210-30M31	13-55	97075-06020	7-23				

6CMH/6DMH/8CMH
PARTS CATALOGUE
©2002 by Yamaha Motor Co., Ltd.
1st Edition, Sep. 2002
All rights reserved.
Any reprinting or unauthorized use
without the written permission of
Yamaha Motor Co., Ltd.
is expressly prohibited.
Printed in Japan

6CMH/6DMH/8CMH
CATALOGUE DE PIÈCES DÉTACHÉES
©2002 Yamaha Motor Co., Ltd.
1ère Edition, Sept. 2002
Tous droits réservés.
Toute réimpression ou utilisation
sans la permission écrite de la
Yamaha Motor Co., Ltd.
est formellement interdite.
Imprimé en Japon