

**PARTS  
CATALOGUE  
CATALOGUE  
DE PIÈCES DÉTACHÉES**

**115CETO '03(6N62)**

**130BETO '03(6N72)**

# FOREWORD

This Parts Catalogue is related to the parts for the model(s) in the below frame. When you are ordering replacement parts, please refer to this Parts Catalogue and quote both part numbers and part names correctly.

115CETO'03(6N62), 130BETO'03(6N72)

1. Modifications or additions which have been made after issue of the Parts Catalogue will be announced in the Yamaha Parts News.  
It is advisable that you make necessary corrections to the Parts Catalogue according to the Yamaha Parts News.

2. Abbreviations

The Following abbreviations are used in this Parts Catalogue.

“UR” Use specified parts number.

“UN” Use as many as needed.

“AP” Alternate Parts

“LM” Local Made  
(Parts need to be ordered locally)

“O/S” Over Size

“SWS” Salt Water Series

3. Parts, which are to be supplied in an assembly, are listed with a dot(.) in front of the part name as shown below.

EXAMPLE

CARBURETOR ASSY

.JET, PILOT

.NOZZLE, MAIN

4. Number of component for assembly

The numeral appearing to the right of each component part indicates the quantity of parts for each assembly unit.

EXAMPLE

PART NO.	DESCRIPTION	ω	⊕	⊖	REMARKS
6E0-85500-70	C.D.I. MAGNETO ASSY	1			
6E0-85550-70	.ROTOR ASSY	1			
6E0-15723-00-94.	PULLY, STARTER	1			

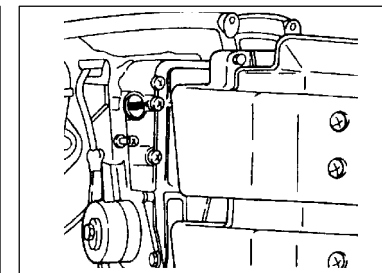
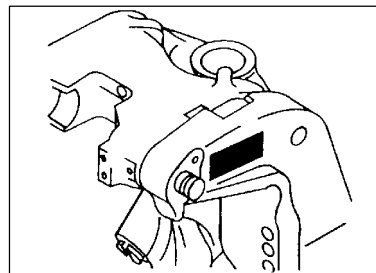
5. Quantity Column Information

NAME for Q'TY COLUMN	APPLICABLE MODEL
115C	115CETO
130B	130BETO

6. Applicable Starting Serial No. and Color Code

1) Engine Starting Serial No.

115CETO L 6E5 : 1000001	130BETO L 6L1 : 1000001
-------------------------	-------------------------



2) Color Code

Color Code	Color Name	Abbreviation
004D	DARK BLUISH GRAY METALLIC 2	DBNM2

7. Note that the illustrations for reference in finding parts numbers, not to be used for assembling. When assembling, please use the applicable service manual.

8. The asterisk (\*) before a reference number indicates modification items after the first edition.

# CONTENTS

## SHEET 1/2

TOP COWLING .....	A4
CYLINDER. CRANKCASE 1 .....	A5
CRANKSHAFT. PISTON .....	A6
CYLINDER. CRANKCASE 2 .....	B1
INTAKE .....	B3
CARBURETOR .....	B5
OIL PUMP .....	B7
OIL TANK .....	C2
FUEL 1 .....	C4
FUEL 2 .....	C6
GENERATOR .....	C7
ELECTRICAL 1 .....	D1
ELECTRICAL 2 .....	D2
STARTING MOTOR .....	D4
BOTTOM COWLING .....	D5
CONTROL .....	E1
BRACKET 1 .....	E4
BRACKET 2 .....	E6
POWER TRIM & TILT ASSY 1 .....	F1
POWER TRIM & TILT ASSY 2 .....	F3
UPPER CASING .....	F5
LOWER CASING. DRIVE 1 .....	F7

## INDEX

NUMERICAL INDEX .....	G1
-----------------------	----

## SHEET 2/2

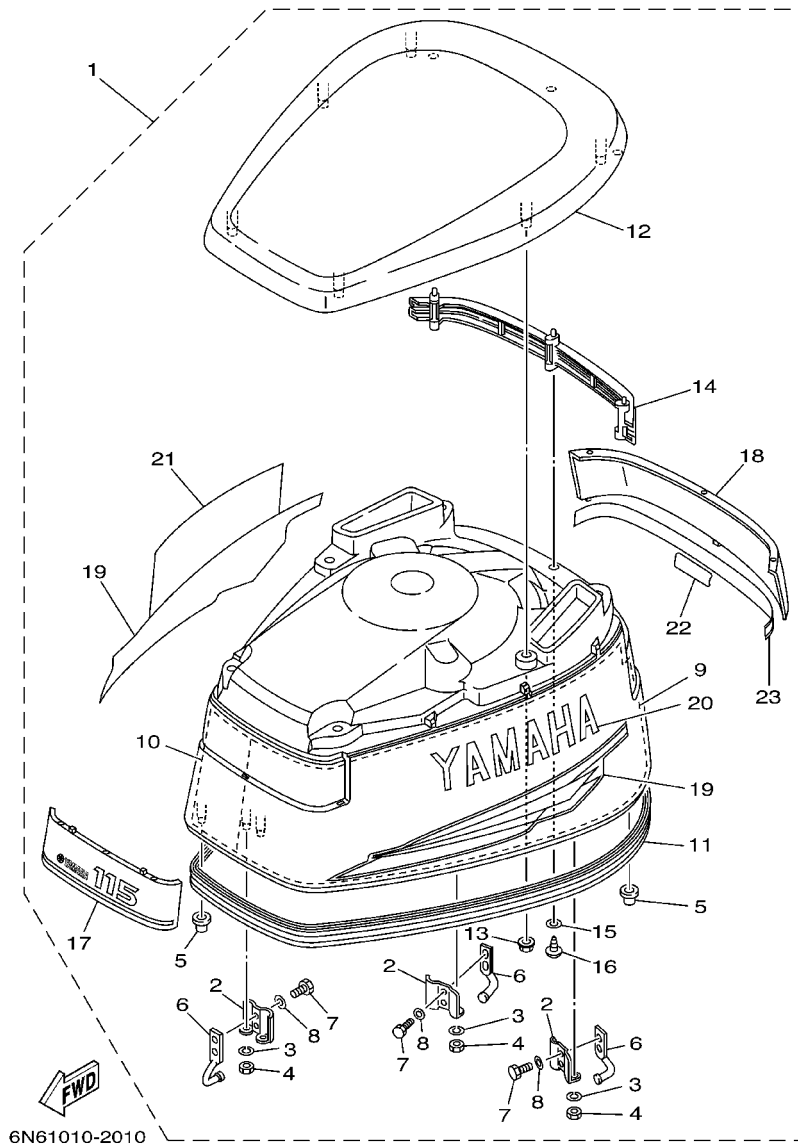
LOWER CASING. DRIVE 1 .....	A4*
LOWER CASING. DRIVE 2 .....	A7*
STEERING GUIDE .....	B2*
REMOTE CONTROL BOX .....	B3*
REMOTE CONTROL ASSY .....	B4*
METER .....	B7*
REPAIR KIT 1 .....	C1*
REPAIR KIT 2 .....	C3*

## INDEX

NUMERICAL INDEX .....	G1*
-----------------------	-----

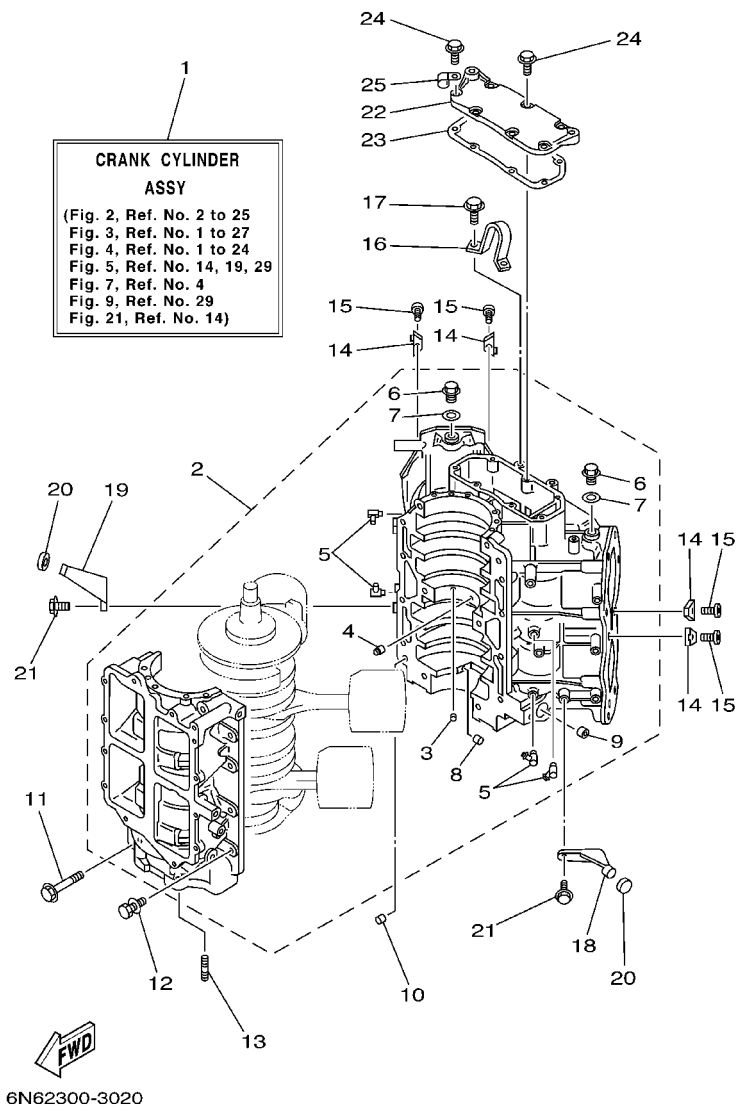
FIG. 1 TOP COWLING

CAPOT SUPERIEUR



REF. NO.	PART NO. NO. PIECES	DESCRIPTION DESCRIPTION	115C	130B	REMARKS REMARQUES
1	6N6-42610-60-4D	TOP COWLING ASSY CAPOT (ENS.)	1		
	6N7-42610-60-4D	TOP COWLING ASSY CAPOT (ENS.)		1	
2	6R3-42647-00	.HOLDER, CLAMP BAND .SUPPORT, SANDOW DE SERRAGE	3	3	
3	92990-06100	.WASHER, SPRING .RONDELLE, GROUWER	6	6	
4	95380-06600	.NUT, HEXAGON ECROU	6	6	
5	6R3-42662-00	.DAMPER .AMORTISSEUR	3	3	
6	6R3-42814-00	.HOOK, CLAMP .CROCHET DE BRIDE	3	3	
7	97095-06012	.BOLT .BOULON	6	6	
8	92995-06600	.WASHER .RONDELLE	6	6	
9	6N7-42619-00	.DAMPER, FORM .BOURRELET, CAOUTCHOUC	1	1	
10	6N7-42627-00	.DAMPER, FORM .BOURRELET, CAOUTCHOUC	1	1	
11	6R3-42615-01	.SEAL .JOINT	1	1	
12	6N7-42613-00-4D	.MOLDING, AIR DUCT .MANCHON A AIR	1	1	
13	90179-06M24	.NUT ECROU	6	6	
14	6N7-42636-00	.LOUVER 2 .VOLET 2	1	1	
15	92990-04600	.WASHER, PLATE .RONDELLE, PLATE	3	3	
16	97780-40520	.SCREW, TAPPING .VIS, TETE BOMBEE	3	3	
17	6N6-42686-40	.EMBLEM, FRONT EMBLEME, AVANT	1		
	6N7-42686-40	.EMBLEM, FRONT EMBLEME, AVANT		1	
18	6N6-42687-30	.EMBLEM, REAR EMBLEME, ARRIERE	1		
	6N7-42687-30	.EMBLEM, REAR EMBLEME, ARRIERE		1	
19	6N7-W0070-30	.GRAPHIC SET .JEU DIEMBLEMES	1	1	
20	6N7-42681-30	.MARK, COWLING .ADHESIF, CAPOT	1	1	
21	6N7-42682-30	.MARK, COWLING .ADHESIF, CAPOT	1	1	
22	6N7-42678-30	.GRAPHIC, REAR .ADHESIF, ARRIERE	1	1	
23	6N7-4267A-30	.GRAPHIC, REAR 2 .ADHESIF, ARRIERE 2	1	1	

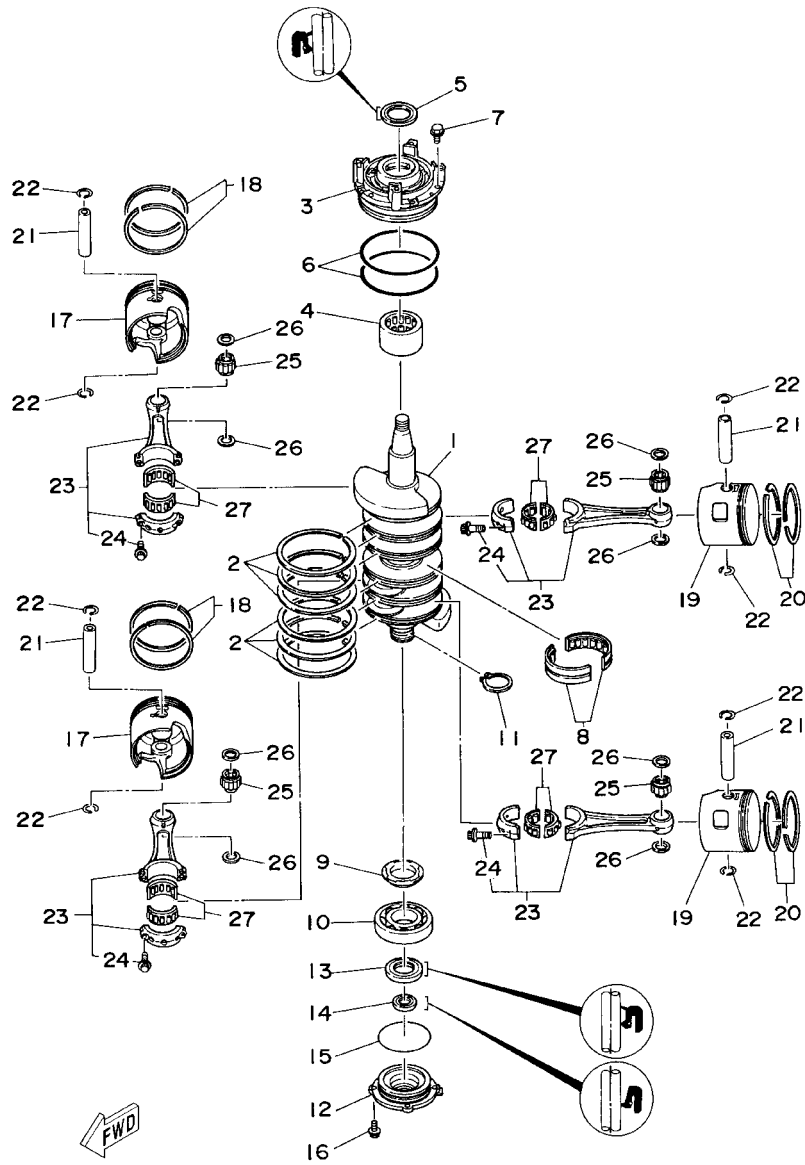
FIG. 2 CYLINDER. CRANKCASE 1 CYLINDRE. CARTER 1



REF. NO.	PART NO. NO. PIECES	DESCRIPTION DESCRIPTION	115C	130B	REMARKS REMARQUES
1	6N6-W0090-16-1S	CRANK CYLINDER ASSY EMBIELLAGE CYLINDRE (ENS.)	1		
	6N7-W0090-17-1S	CRANK CYLINDER ASSY EMBIELLAGE CYLINDRE (ENS.)		1	
2	6N6-15100-01-1S	CRANKCASE ASSY CARTER DE MOTEUR COMPLET	1		
	6N7-15100-01-1S	CRANKCASE ASSY CARTER DE MOTEUR COMPLET		1	
3	624-11379-00	.VALVE, CHECK .CLAPET.	1	1	
4	663-11518-01	.LOCK, BEARING .CENTREUR, ROULEMENT	1	1	
5	6E5-11372-01	.NIPPLE, HOSE .RACCORD, TUYAU	4	4	
6	90340-14M00	.PLUG, STRAIGHT SCREW .PLOT, FILETE DROIT	2	2	
7	90430-14115	.GASKET .JOINT	2	2	
8	90384-06M07	.BUSH, BIMETAL FORMED .DOUILLE, BIMETAL MISE EN FORM.	1	1	
9	90384-14M09	.BUSH, BIMETAL FORMED .DOUILLE, BIMETAL MISE EN FORM	1	1	
10	93608-12063	PIN, DOWEL AXE	2	2	
11	90105-10M20	BOLT, FLANGE BOULON	6	6	
12	90119-08M94	BOLT, WITH WASHER BOULON, AVEC RONDELLE	8	8	
13	90116-08M45	BOLT, STUD GOUJON	2	2	
14	6E5-11325-00	ANODE ANODE	4	4	
15	98780-04015	SCREW, FLAT HEAD VIS A TETE FRAISEE	4	4	
16	6E5-11119-01	HANGER, ENGINE ANNEAU, LEVAGE	1	1	
17	90119-08MA3	BOLT, WITH WASHER BOULON, AVEC RONDELLE	2	2	
18	6E5-42761-00-1S	STOPPER PLAQUETTE	1	1	
19	6E5-42762-00-1S	STOPPER PLAQUETTE	1	1	
20	68F-44533-00	DAMPER, UPPER MOUNT RUBBER COUVERCLE, SUSPENSION INFERIEUR	2	2	
21	90119-06MA2	BOLT, WITH WASHER BOULON, AVEC RONDELLE	4	4	
22	6K7-11371-01-1S	COVER COUVERCLE	1	1	
23	6E5-11381-A2	GASKET 1 JOINT 1	1	1	
24	90119-06MA2	BOLT, WITH WASHER BOULON, AVEC RONDELLE	7	7	
25	90465-06M86	CLAMP BRIDE	1	1	

FIG. 3 CRANKSHAFT. PISTON

VILEBREQUIN. PISTON



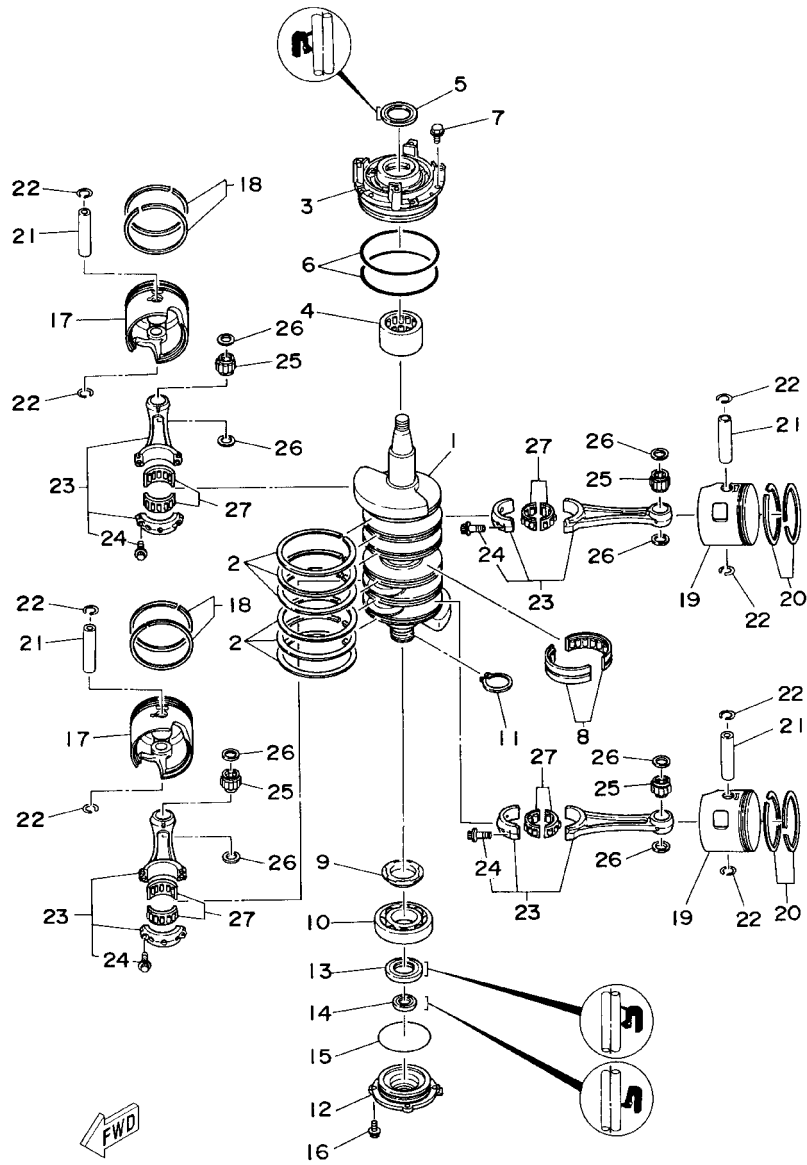
6N42100-4030

REF. NO.	PART NO. NO. PIECES	DESCRIPTION DESCRIPTION	115C	130B	REMARKS REMARQUES
1	6N7-11411-01	CRANKSHAFT VILEBREQUIN COMPLET	1	1	
2	6E5-11447-00	SEAL, CRANK JOINT, VILEBREQUIN	6	6	
3	6R3-15163-00-1S	HOUSING, BEARING 1 LOGEMENT, ROULEMENT 1	1	1	
4	93311-940U3	BALL BEARING ROULEMENT	1	1	
5	93102-40M14	OIL SEAL JOINT SPY	1	1	
6	93211-04001	O-RING JOINT TORIQUE	2	2	
7	90119-06MA2	BOLT, WITH WASHER BOULON, AVEC RONDELLE	3	3	
8	93310-954U1	BEARING ROULEMENT	1	1	
9	6R3-11536-00	GEAR, DRIVE ENGRENAGE, MENANT	1	1	
10	93306-208U0	BEARING ROULEMENT	1	1	
11	93410-40M03	CIRCLIP CLIPS	1	1	
12	6G5-15359-00-94	HOUSING, OIL SEAL LOGEMENT, BAGUE D'ETANCHEITE	1	1	
13	93102-35M13	OIL SEAL JOINT SPY	1	1	
14	93101-22M15	OIL SEAL JOINT SPY	1	1	
15	93210-74M35	O-RING JOINT TORIQUE	1	1	
16	90119-06MA2	BOLT, WITH WASHER BOULON, AVEC RONDELLE	4	4	
17	6R5-11631-11-93	PISTON (STD) PISTON (STD)	2	2	
	6R5-11635-11	PISTON (0.25MM O/S) PISTON (0.25MM O/S)	2	2	AP
	6R5-11636-11	PISTON (0.50MM O/S) PISTON (0.50MM O/S)	2	2	AP
18	64D-11603-01	PISTON RING SET (STD) JEU DE SEGMENTS (STD)	2	2	
	64D-11604-01	PISTON RING SET (0.25MM O/S) JUE DE SEGMENTS (0.25MM O/S)	2	2	AP
	64D-11605-01	PISTON RING SET (0.50MM O/S) JEU DE SEGMENTS (0.50MM O/S)	2	2	AP
19	6R5-11642-11-93	PISTON 2 (STD) PISTON 2 (STD)	2	2	
	6R5-11645-11	PISTON 2 (0.25MM O/S) PISTON 2 (0.25MM O/S)	2	2	AP
	6R5-11646-11	PISTON 2 (0.50MM O/S) PISTON 2 (0.50MM O/S)	2	2	AP
20	64D-11603-01	PISTON RING SET (STD) JEU DE SEGMENTS (STD)	2	2	
	64D-11604-01	PISTON RING SET (0.25MM O/S) JUE DE SEGMENTS (0.25MM O/S)	2	2	AP

FIG. 3 CRANKSHAFT. PISTON

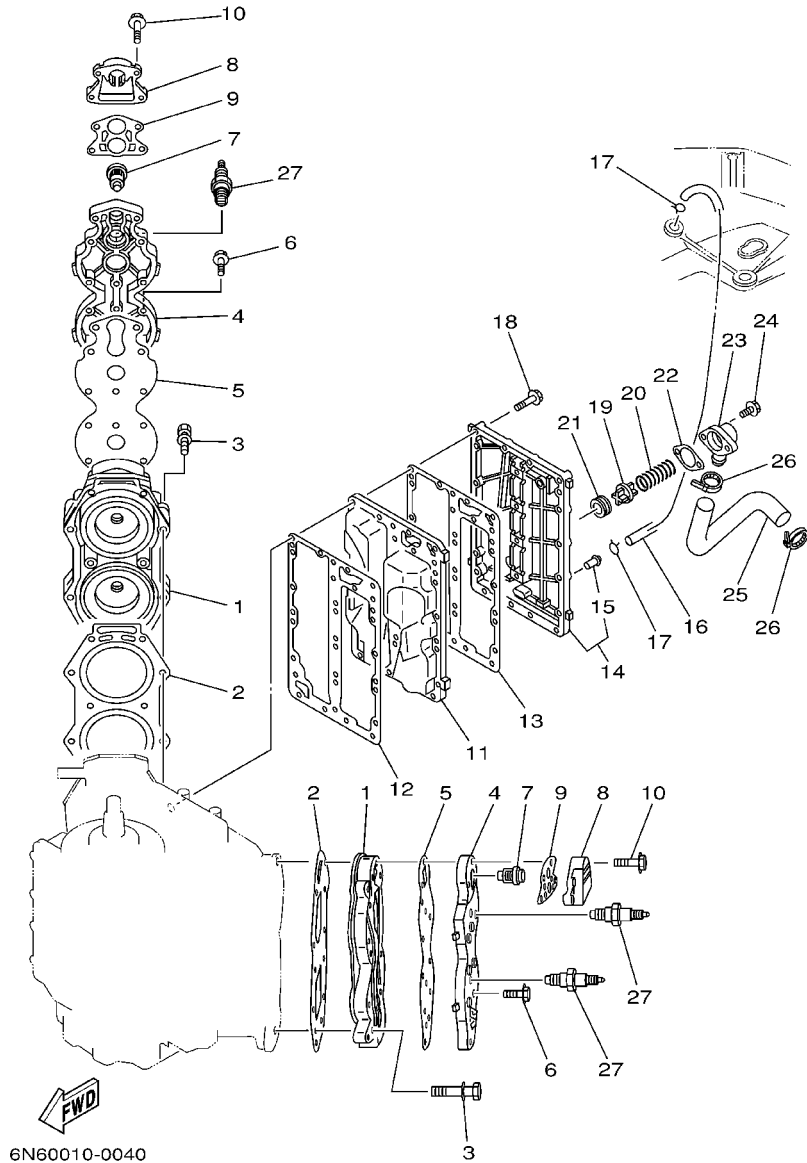
VILEBREQUIN. PISTON

REF. NO.	PART NO. NO. PIECES	DESCRIPTION DESCRIPTION	115C	130B	REMARKS REMARQUES
20	64D-11605-01	PISTON RING SET (0.50MM O/S) JEU DE SEGMENTS (0.50MM O/S)	2	2	AP
21	6R5-11633-10	PIN, PISTON AXE, PISTON	4	4	
22	6R5-11634-10	CLIP, PISTON PIN AGRAFE, AXE DE PISTON	8	8	
23	6R5-11650-10	CONNECTING ROD ASSY BIELLE COMPLETE	4	4	
24	90109-08022	.BOLT .BOULON	2	2	
25	93310-323V6	BEARING ROULEMENT	4	4	
26	90201-23M01	WASHER, PLATE RONDELLE, PLATE	8	8	
27	93310-836U0	BEARING ROULEMENT	4	4	



6N42100-4030

FIG. 4 CYLINDER. CRANKCASE 2 CYLINDRE. CARTER 2



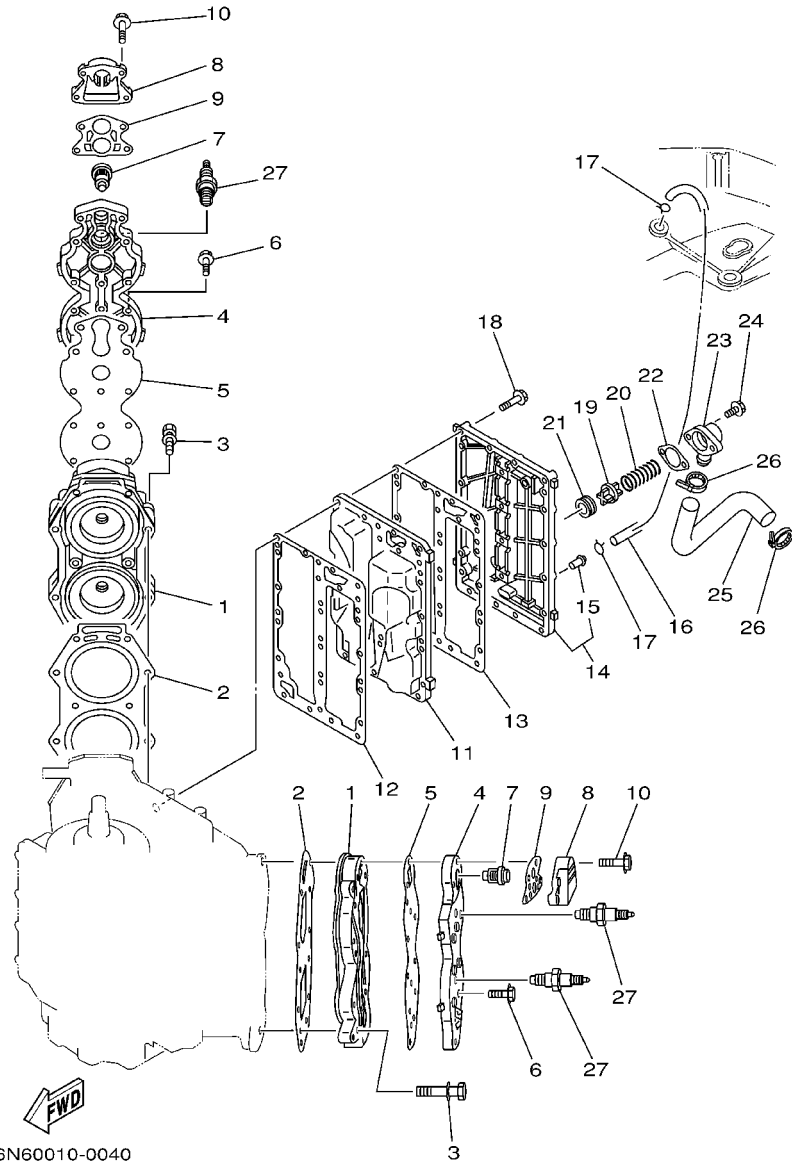
6N60010-0040

REF. NO.	PART NO. NO. PIECES	DESCRIPTION DESCRIPTION	115C	130B	REMARKS REMARQUES
1	6E5-11111-10-1S	HEAD, CYLINDER 1 CULASSE	2		
	6L1-11111-00-1S	HEAD, CYLINDER 1 CULASSE		2	
2	6E5-11181-A1	GASKET, CYLINDER HEAD 1 JOINT, DE CULASSE 1	2	2	
3	90119-08MA8	BOLT, WITH WASHER BOULON, AVEC RONDELLE	20	20	
4	6E5-11191-01-1S	COVER, CYLINDER HEAD 1 COUVERCLE, CULASSE 1	2	2	
5	6E5-11193-A0	GASKET, HEAD COVER 1 JOINT, COUVERCLE DE CULASSE 1	2	2	
6	90119-06MA4	BOLT, WITH WASHER BOULON, AVEC RONDELLE	24	24	
7	6E5-12411-30	THERMOSTAT THERMOSTAT	2	2	
8	6G5-12413-00-1S	COVER, THERMOSTAT COUVERCLE, THERMOSTAT	2	2	
9	688-12414-A1	GASKET, COVER JOINT, COUVERCLE	2	2	
10	90119-06MA6	BOLT, WITH WASHER BOULON, AVEC RONDELLE	8	8	
11	6E5-41111-00-1S	INNER COVER, EXHAUST PLAQUE, ECHAPPEMENT	1		
	6L1-41111-00-1S	INNER COVER, EXHAUST PLAQUE, ECHAPPEMENT		1	
12	6E5-41112-A1	GASKET, EXHAUST INNER COVER JOINT, PLAQUE D'ECHAPPEMENT	1	1	
13	6E5-41112-A1	GASKET, EXHAUST INNER COVER JOINT, PLAQUE D'ECHAPPEMENT	1	1	
14	6N7-41113-00-1S	OUTER COVER, EXHAUST COUVERCLE, ECHAPPEMENT	1	1	
15	650-24378-00	.PIPE, JOINT 4 .DURITE RACCORDEMENT 4	1	1	
16	6E5-24312-00	PIPE 2 DURITE 2	1	1	
17	90467-08004	CLIP JONC	2	2	
18	90119-06MA5	BOLT, WITH WASHER BOULON, AVEC RONDELLE	23	23	
19	6G5-12416-00	VALVE, PRESSURE CONTROL SOUPAPE DE CONTROLEUR PRESS	1	1	
20	90501-16M11	SPRING, COMPRESSION RESSORT, COMPRESSION	1	1	
21	90480-20M05	GROMMET PASSE-FIL	1	1	
22	6G5-11382-A1	GASKET 2 JOINT 2	1	1	
23	6G5-11372-00-1S	COVER, BYPASS 2 CONVERCLE	1	1	
24	90119-06MA2	BOLT, WITH WASHER BOULON, AVEC RONDELLE	2	2	
25	6E5-12576-00	HOSE 1 TUYAU 1	1	1	

B1



FIG. 4 CYLINDER. CRANKCASE 2 CYLINDRE. CARTER 2



REF. NO.	PART NO. NO. PIECES	DESCRIPTION DESCRIPTION	115C	130B	REMARKS REMARQUES
26	90465-13M18	CLAMP BRIDE	2	2	
27	94702-00247	PLUG, SPARK (NGK BR8HS-10) BOUGIE D'ALLUMAGE (NGK BR8HS-10)	4		
	94702-00309	PLUG, SPARK (NGK BR9HS-10) BOUGIE D'ALLUMAGE (NGK BR9HS-10)		4	
-----					
-----					
-----					
-----					
-----					
-----					
-----					
-----					
-----					

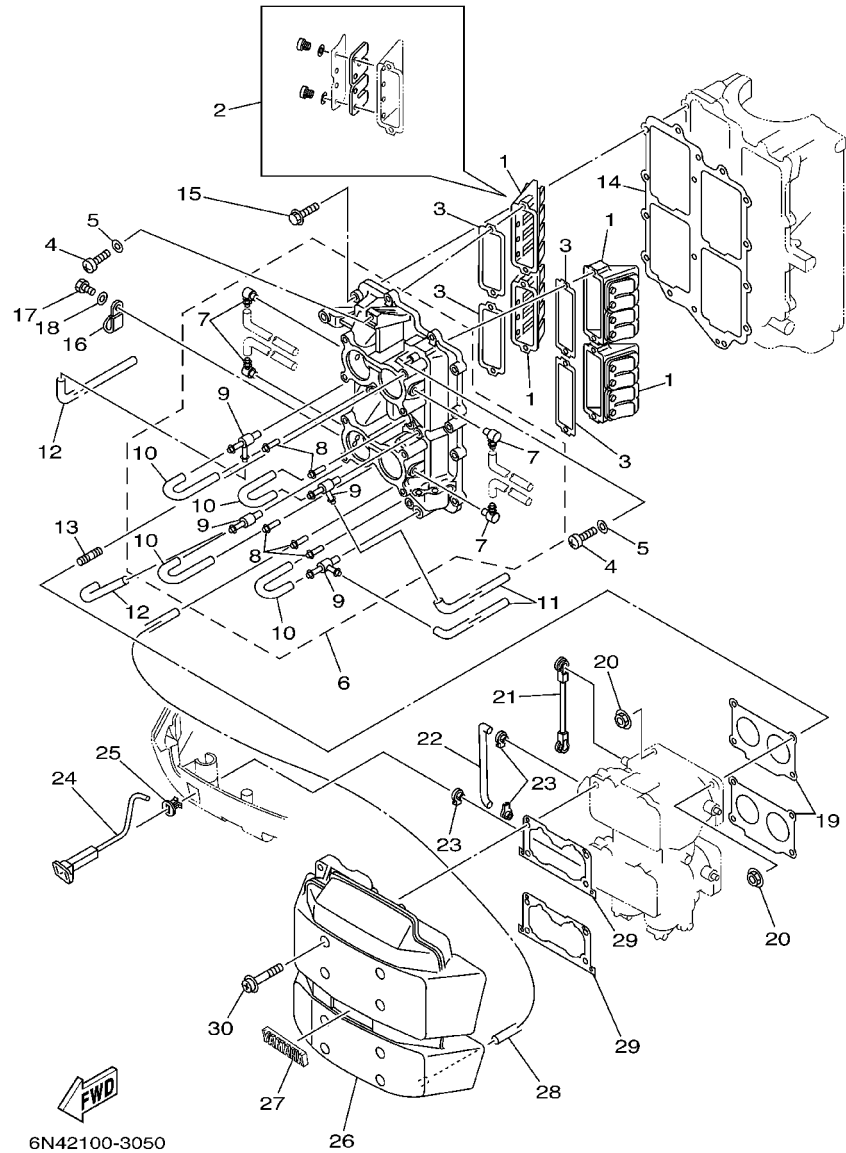


FIG. 5 INTAKE

ADMISSION

REF. NO.	PART NO. NO. PIECES	DESCRIPTION DESCRIPTION	115C	130B	REMARKS REMARQUES
1	6E5-13610-00	REED VALVE ASSY CLAPET COMPLET	4	4	
2	6E5-W0004-00	.REED SET .JEU DE CLAPETS	1	1	
3	6E5-13621-A1	GASKET, VALVE SEAT JOINT, SIEGE DE CLAPET	4	4	
4	97880-05025	SCREW, PAN HEAD VIS, TETE TRONCONIQUE	8	8	
5	92990-05600	WASHER, PLATE RONDELLE, PLATE	8	8	
6	6E5-13641-11-1S	MANIFOLD 1 TUBULURE 1	1	1	
7	6E5-13552-00	.NOZZLE .GICLEUR	4	4	
8	624-14485-00	.PIPE, JOINT .DURITE	5	5	
9	6E5-11370-01	.CHECK VALVE ASSY .CLAPET (ENS.)	4	4	
10	90445-07M28	.HOSE (L70) .DURITE (L70)	4	4	
11	90445-07M24	HOSE (L240) DURITE (L240)	2	2	
12	90445-07M46	HOSE (L360) DURITE (L360)	2	2	
13	90116-06M30	BOLT, STUD GOUJON	8	8	
14	6E5-13645-A1	GASKET, MANIFOLD 1 JOINT, TUBULURE 1	1	1	
15	90119-06MA3	BOLT, WITH WASHER BOULON, AVEC RONDELLE	12	12	
16	90465-06M86	CLAMP BRIDE	1	1	
17	97095-06012	BOLT BOULON	1	1	
18	92995-06600	WASHER RONDELLE	1	1	
19	6E5-14198-A2	GASKET JOINT	2	2	
20	90179-06M28	NUT ECROU	8	8	
21	6E5-41217-01	ROD, ACCEL. LEVER TIGE, LEVIER ACCELERATION	1	1	
22	6E5-41256-01	ROD, CHOKE 1 TRINGLE 1, STARTER	1	1	
23	661-41262-02	JOINT, CHOKE LEVER RACCORD, LEVIER DE STARTER	3	3	
24	6N7-41271-00	KNOB, CHOKE BOUTON DE STARTER	1	1	
25	689-41273-00	GROMMET PASSE-FIL	1	1	
26	6N7-14440-01	SILENCER ASSY, INTAKE SIENCIEUX D'ADMISSION	1	1	
27	6E5-1441K-00	EMBLEM EMBLEME	1	1	

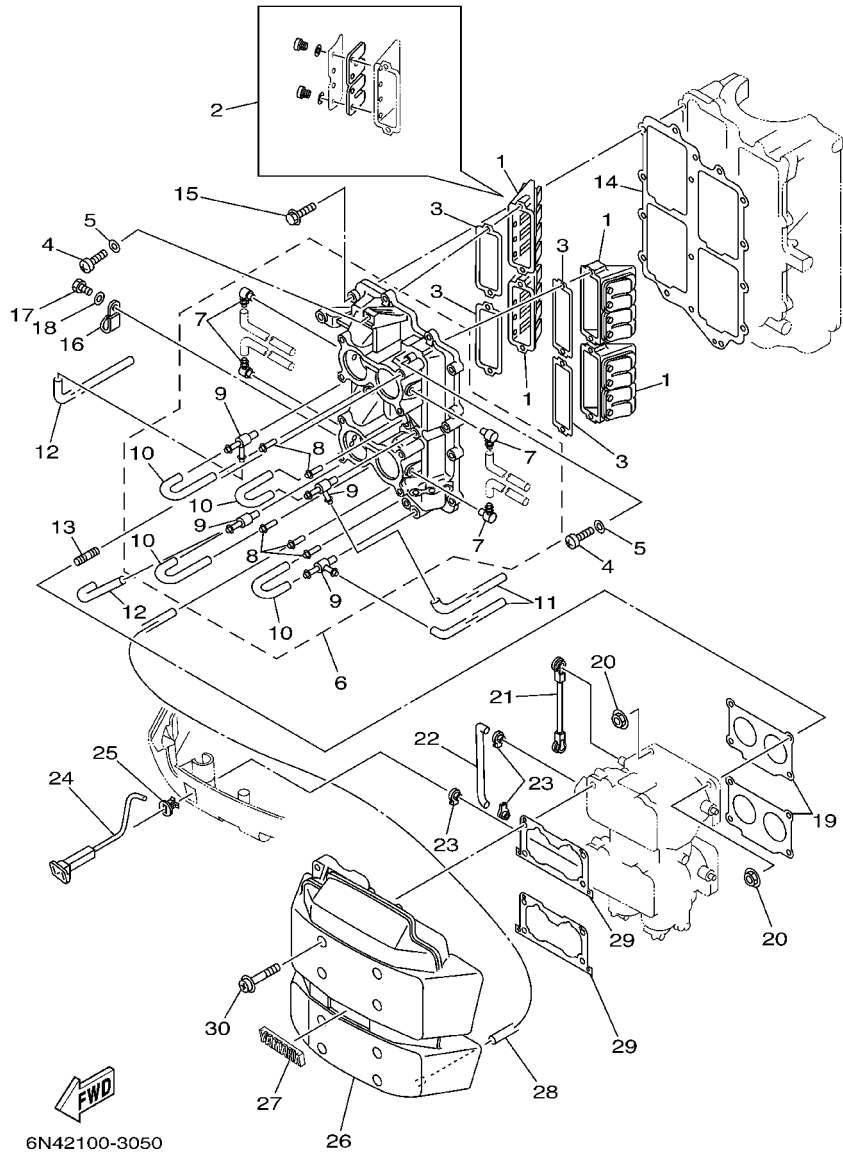


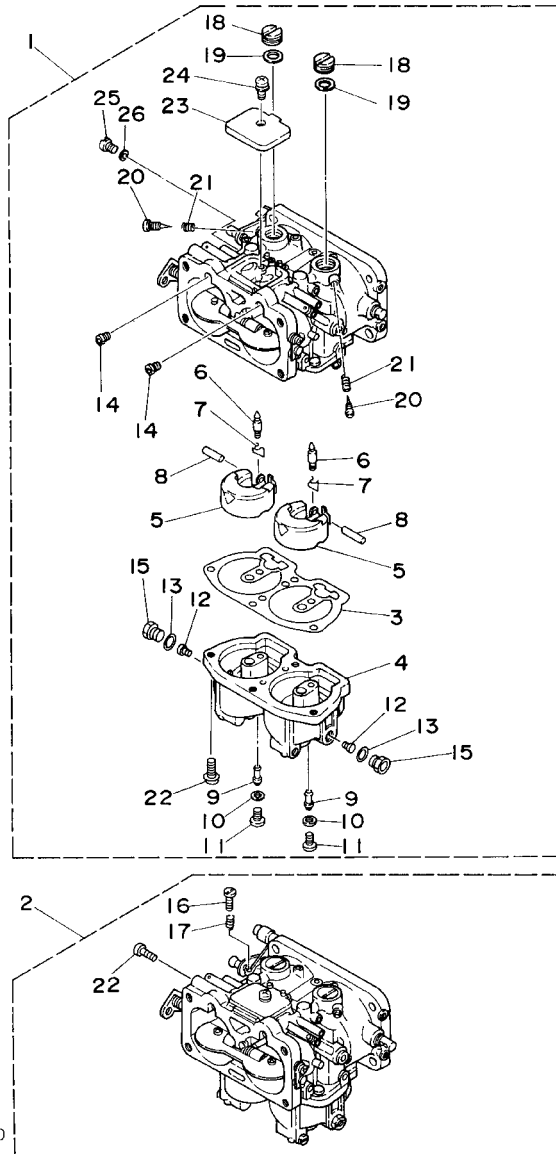
FIG. 5 INTAKE

ADMISSION

REF. NO.	PART NO. NO. PIECES	DESCRIPTION DESCRIPTION	115C	130B	REMARKS REMARQUES
28	90445-07258	HOSE (L200) DURITE (L200)	1	1	
29	6K7-14483-00	GASKET JOINT	2	2	
30	90159-06M14	SCREW, WITH WASHER VIS, AVEC RONDELLE	8	8	

FIG. 6 CARBURETOR

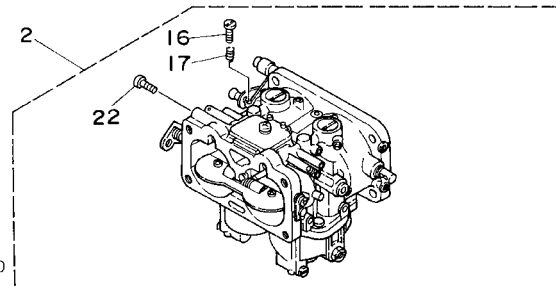
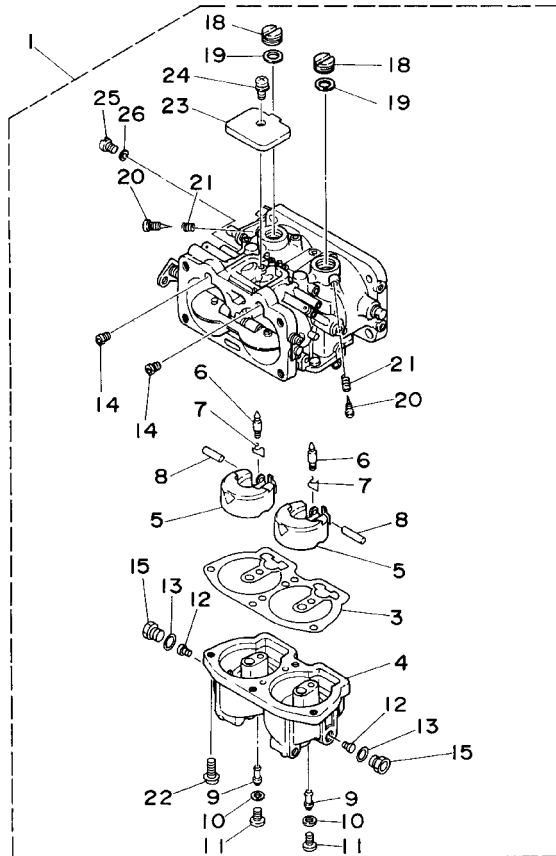
CARBURETEUR



REF. NO.	PART NO. NO. PIECES	DESCRIPTION DESCRIPTION	115C	130B	REMARKS REMARQUES
1	6E5-14301-16	CARBURETOR ASSY 1 CARBURATEUR COMPLET 1	1		
	6L1-14301-04	CARBURETOR ASSY 1 CARBURATEUR COMPLET 1		1	
2	6E5-14302-16	CARBURETOR ASSY 2 CARBURATEUR COMPLET 2	1		
	6L1-14302-04	CARBURETOR ASSY 2 CARBURATEUR COMPLET 2		1	
3	64D-14384-01	.GASKET, FLOAT CHAMBER .JOINT, CUVE DE FLOTTEUR	2	2	
4	64D-14381-00	.BODY, FLOAT CHAMBER .CORPS, CUVE DE FLOTTEUR	2	2	
5	6E5-14385-02	.FLOAT .FLOTTEUR	4	4	
6	6E5-14546-00	.VALVE, NEEDLE .POINTEAU	4	4	
7	6E5-14159-00	.CLIP .JONC	4	4	
8	6E5-14386-02	.PIN, FLOAT .AXE, FLOTTEUR	4	4	
9	64D-1492F-39	.JET, AIR SLOW (#78) .GICLEUR, AIR (#78)	4		
	64D-1492F-41	.JET, AIR SLOW (#82) .GICLEUR, AIR (#82)		4	
10	61U-14959-00	.GASKET .JOINT	4	4	
11	64D-14394-00	.VALVE, DRAIN .SOUPAPE, VIDANGE	4	4	
12	64D-1492E-88	.JET, MAIN (#176) .GICLEUR, PRINCIPAL (#176)	4		
	64D-1492E-90	.JET, MAIN (#180) .GICLEUR, PRINCIPAL (#180)		4	
13	6E5-14398-00	.GASKET .JOINT	4	4	
14	61A-1492H-12	.JET, SLOW AIR BLEED (#60) .GICLEUR, AIR (#60)	4	4	
15	61A-14383-01	.SCREW, DRAIN BOUCHON, PURGE	4	4	
16	6E5-14321-00	.SCREW, THROTTLE .VIS, ACCELERATEUR	1	1	#2
17	6J8-14334-00	.SPRING, THROTTLE .RESSORT, ACCELERATEUR	1	1	#2
18	6E5-14328-01	.PLUG .PLOT	4	4	
19	6E5-14979-00	.GASKET .JOINT	4	4	
20	6E5-14323-03	.SCREW, AIR ADJUSTING .VIS DE DOSEUR D'AIR	4	4	
21	6E5-14223-00	.SPRING, AIR ADJUSTING .RESSORT, DOSAGE DE L'AIR	4	4	
22	97980-05116	.SCREW, WITH WASHER .VIS, AVEC RONDELLE	9	9	
23	6E5-14527-01	.PLATE .PLAQUE	2	2	

FIG. 6 CARBURETOR

CARBURATEUR

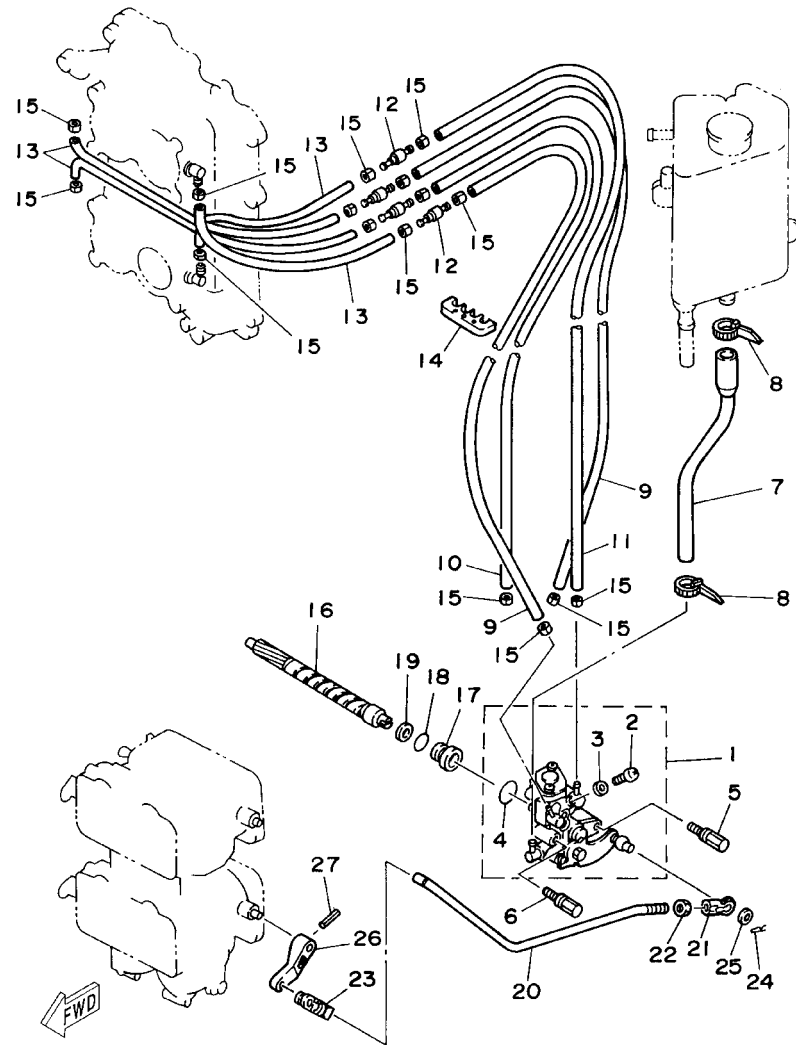


6N60010-4060

REF. NO.	PART NO. NO. PIECES	DESCRIPTION DESCRIPTION	115C	130B	REMARKS REMARQUES
24	97980-05108	.SCREW, WITH WASHER .VIS, AVEC RONDELLE	2	2	
25	6E5-14324-00	.SCREW, FLAT HEAD .VIS TETE PLATE	2	2	
26	6J8-14959-00	.GASKET .JOINT	2	2	
-----					
-----					
-----					
-----					
-----					
-----					
-----					
-----					
-----					
-----					
-----					

FIG. 7 OIL PUMP

POMPE A HUILE



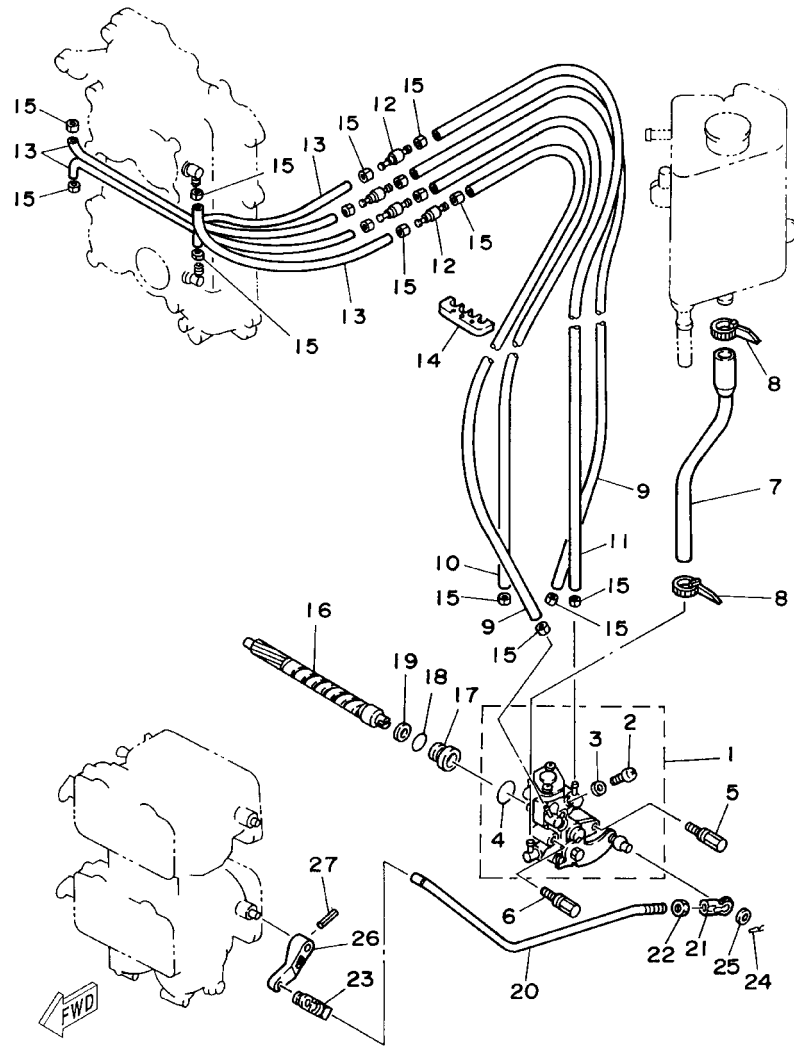
6N60010-4070

REF. NO.	PART NO. NO. PIECES	DESCRIPTION DESCRIPTION	115C	130B	REMARKS REMARQUES
1	6N6-13200-00	OIL INJECTION PUMP ASSY POMPE A HUILE COMPLET	1		
	6N7-13200-00	OIL INJECTION PUMP ASSY POMPE A HUILE COMPLET		1	
2	6R3-13471-00	.PLUG, DRAIN .PLOT, VIDANGE	1	1	
3	6L2-13475-00	.GASKET .JOINT	1	1	
4	93210-19MA7	.O-RING .JOINT TORIQUE	1	1	
5	90109-06M40	BOLT BOULON	1	1	
6	90109-06M39	BOLT BOULON	1	1	
7	6N7-13416-00	PIPE, OIL 1 DURITE A HUILE	1	1	
8	90465-11M10	CLAMP BRIDE	2	2	
9	90445-07M89	HOSE (L310) DURITE (L310)	2	2	
10	90445-07196	HOSE (L160) DURITE (L160)	1	1	
11	90445-07M72	HOSE (L250) DURITE (L250)	1	1	
12	6R3-13183-10	VALVE, CHECK S'OUPAPE DE RATANUE	4	4	
13	90445-07M87	HOSE (L110) DURITE (L110)	4	4	
14	90464-07M06	CLAMP BRIDE	1	1	
15	90468-07M02	CLIP JONC	16	16	
16	6R3-11537-00	GEAR, DRIVEN PIGNON SECONDAIRE	1	1	
17	6R3-13117-00	COLLAR, DISTANCE ENTRETOISE	1	1	
18	93210-13M04	O-RING JOINT TORIQUE	1	1	
19	90202-08M44	WASHER, PLATE RONDELLE, PLATE	1	1	
20	6R3-41241-00	ROD, LINK BIELLETTTE	1	1	
21	6H1-41237-00	JOINT, LINK RACCORD	1	1	
22	95380-05600	NUT ECROU	1	1	
23	6R5-41237-00	JOINT, LINK RACCORD	1	1	
24	90468-05M03	CLIP JONC	1	1	
25	90202-05088	WASHER, PLATE RONDELLE, PLATE	1	1	
26	6E5-14276-01	LEVER LEVIER	1	1	

FIG. 7 OIL PUMP

POMPE A HUILE

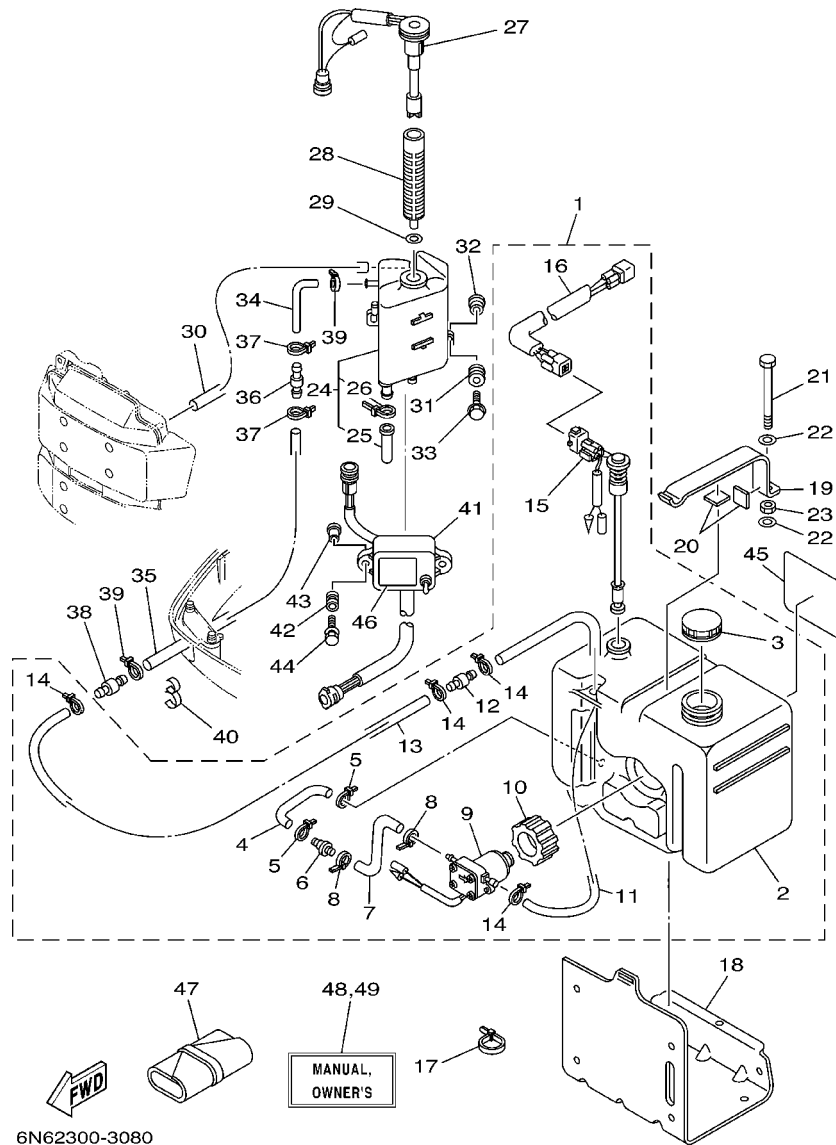
REF. NO.	PART NO. NO. PIECES	DESCRIPTION DESCRIPTION	115C	130B		REMARKS REMARQUES
27	91690-30016	PIN, SPRING AGRAFFE	1	1		



6N60010-4070

FIG. 8 OIL TANK

RESERVOIR A PETROLE



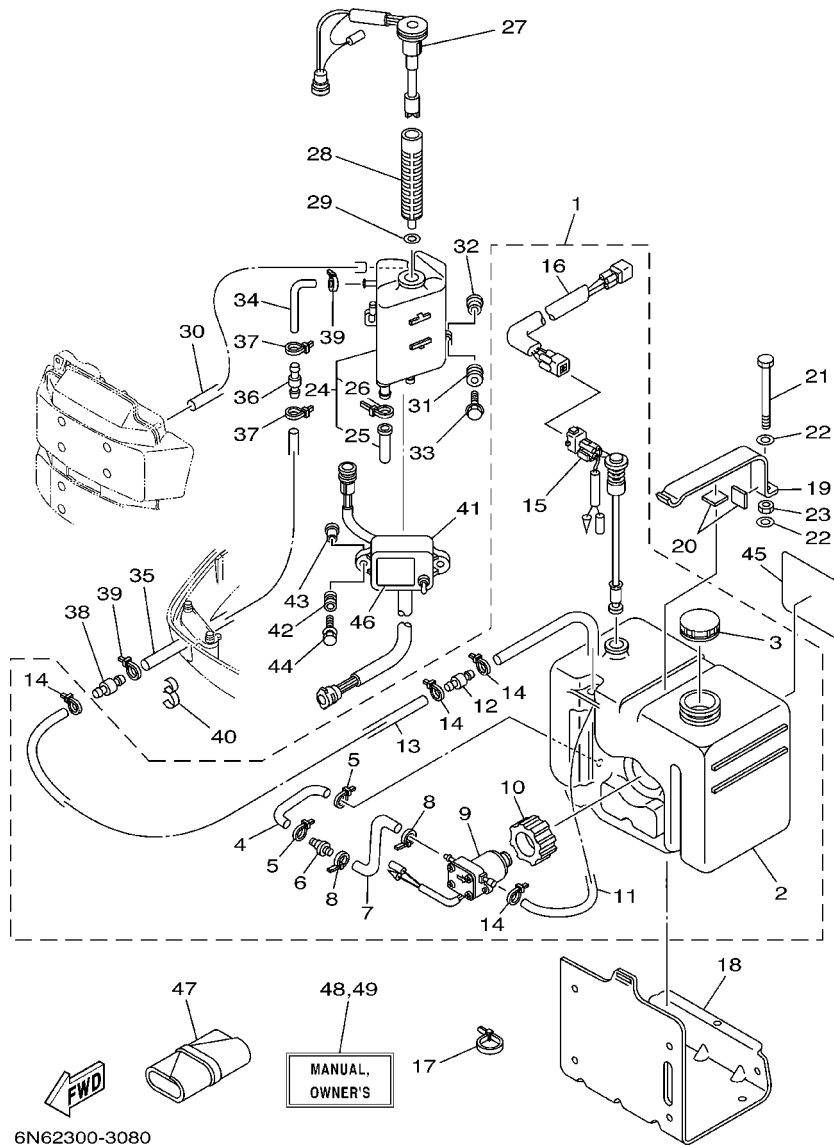
6N62300-3080

REF. NO.	PART NO. NO. PIECES	DESCRIPTION DESCRIPTION	115C	130B	REMARKS REMARQUES
1	61A-21708-20	SUB OIL TANK ASSY RESERVOIR A HUILE SECOURS (ENS.)	1	1	
2	6E5-21733-20	.SUB TANK, OIL (10.5L) .RESERVOIR A HUILE SECOURS:10.	1	1	
3	6E5-21770-03	.OIL TANK CAP ASSY .CABOCHON DE RESERVOIR A HUILE	1	1	
4	6E5-24322-00	.PIPE 11 .DURITE	1	1	
5	90465-11M10	.CLAMP .BRIDE	2	2	
6	646-24251-02	.STRAINER 1 .FILTRE 1	1	1	
7	6E5-24319-01	.PIPE, OIL .DURITE A HUILE	1	1	
8	90465-11M10	.CLAMP .BRIDE	2	2	
9	6E5-81900-01	.OIL FEED PUMP ASSY .VIEUX	1	1	
10	6E5-81922-00	.GROMMET .OEILLET CAOUTCHOUC	1	1	
11	6E5-24321-01	.PIPE 10 .DURITE	1	1	
12	6E5-24379-00	.PIPE, JOINT 4 .DURITE RACCORDEMENT 4	1	1	
13	90445-11M26	.HOSE (L6500) .DURITE (L6500)	1	1	
14	90465-11M10	.CLAMP .BRIDE	4	4	
15	6E5-85720-04	.OIL LEVEL GAUGE ASSY .JAUGE A HUILE CPLT	1	1	
16	6R3-85721-80	.WIRE, LEAD (8M) .FIL, SECONDAIRE (8M)	1	1	
17	90465-13M11	CLAMP BRIDE	1	1	
18	6E5-21734-01-33	HOLDER, OIL SUB TANK SUPPORT, RESERV AUXIL A HUILE	1	1	
19	6E5-21798-01-33	BRACKET, DAMPER SUPPORT, AMORTISSEUR	1	1	
20	6E5-21746-00	DAMPER AMORTISSEUR	2	2	
21	97080-06100	BOLT BOULON	1	1	
22	92990-06600	WASHER, PLATE RONDELLE, PLATE	2	2	
23	95380-06600	NUT, HEXAGON ECROU	1	1	
24	6E5-21750-05	OIL TANK ASSY RESERVOIR A HUILE	1	1	
25	6E5-13448-00	.CAP .CAPUCHON	1	1	
26	90465-13M11	.CLAMP .BRIDE	1	1	
27	6G7-85730-04	OIL LEVEL GAUGE ASSY VIEUX	1	1	



FIG. 8 OIL TANK

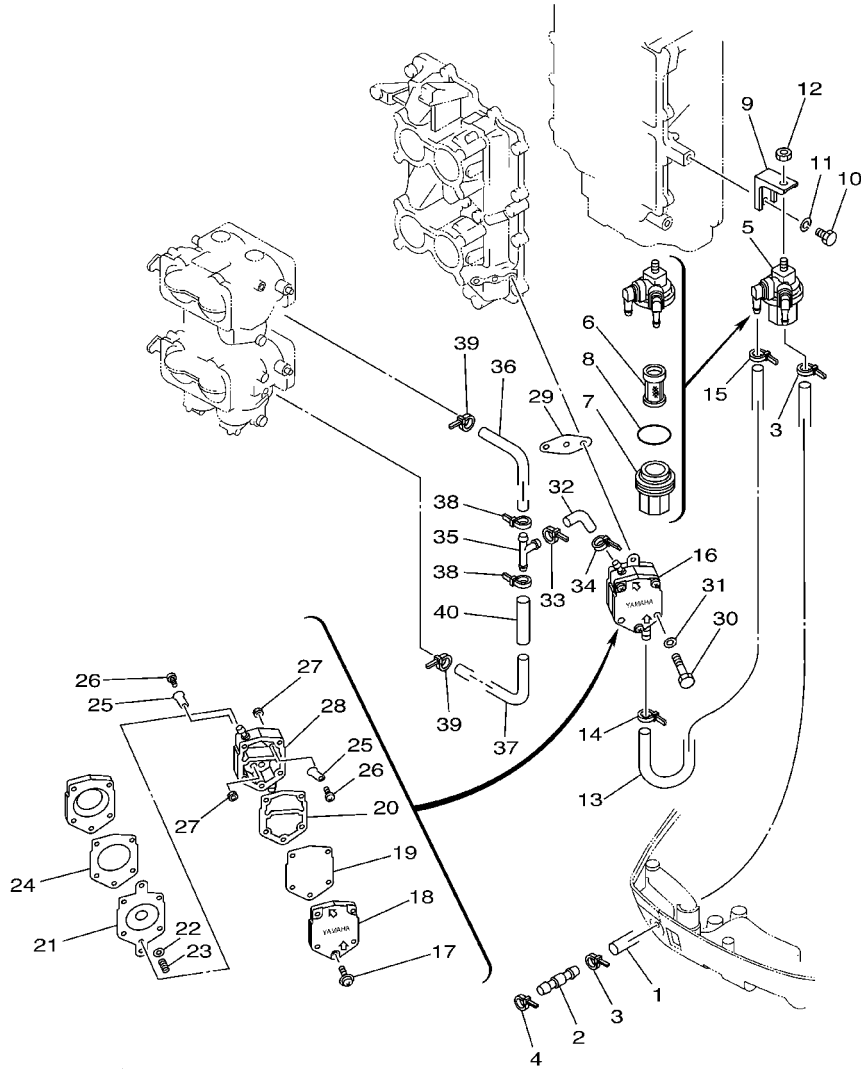
RESERVOIR A PETROLE



REF. NO.	PART NO. NO. PIECES	DESCRIPTION DESCRIPTION	115C	130B	REMARKS REMARQUES
28	6E5-13411-00	STRAINER, OIL FILTRE, HUILE	1	1	
29	6E5-13414-00	GASKET, STRAINER COVER JOINT, COUVERCLE DE FILTRE	1	1	
30	90445-05M02	HOSE (L380) DURITE (L380)	1	1	
31	6A0-82317-00	DAMPER, IGNITION COIL AMORTISSEUR, BOBINE D'ALLUM	3	3	
32	624-42542-00	PIPE TUYAU	3	3	
33	90119-06M65	BOLT, WITH WASHER BOULON, AVEC RONDELLE	3	3	
34	64E-24323-00	PIPE 12 DURITE	1	1	
35	90445-12207	HOSE (L2400) DURITE (L2400)	1	1	
36	6E5-24379-00	PIPE, JOINT 4 DURITE RACCORDEMENT 4	1	1	
37	90465-11M10	CLAMP BRIDE	2	2	
38	6E5-24379-00	PIPE, JOINT 4 DURITE RACCORDEMENT 4	1	1	
39	90465-11M10	CLAMP BRIDE	2	2	
40	90464-13M34	CLAMP BRIDE	1	1	
41	6E5-85740-02	CONTROL UNIT ASSY UNITE DE CONTROLE COMPLETE	1	1	
42	6A0-82317-00	DAMPER, IGNITION COIL AMORTISSEUR, BOBINE D'ALLUM	2	2	
43	624-42542-00	PIPE TUYAU	2	2	
44	90119-06M65	BOLT, WITH WASHER BOULON, AVEC RONDELLE	2	2	
45	6E5-13437-62	MARK, CAUTION MAKER	1	1	
46	6E5-85711-60	MARK, CAUTION MAKER	1	1	
47	656-W2810-02	TOOL KIT TROUSSE A OUTILS	1	1	
48	64C-28199-78-A0	MANUAL, OWNER'S MANUEL D'UTILISATION	1	1	UR (E,F,S)
	64C-28199-78-B0	MANUAL, OWNER'S MANUEL D'UTILISATION	1	1	UR (D,NL,I)
49	64C-28199-88-A0	MANUAL, OWNER'S MANUEL D'UTILISATION	1	1	UR (DK,P,GR)
	64C-28199-88-B0	MANUAL, OWNER'S MANUEL D'UTILISATION	1	1	UR (N,S,SS)

FIG. 9 FUEL 1

CARBURANT 1

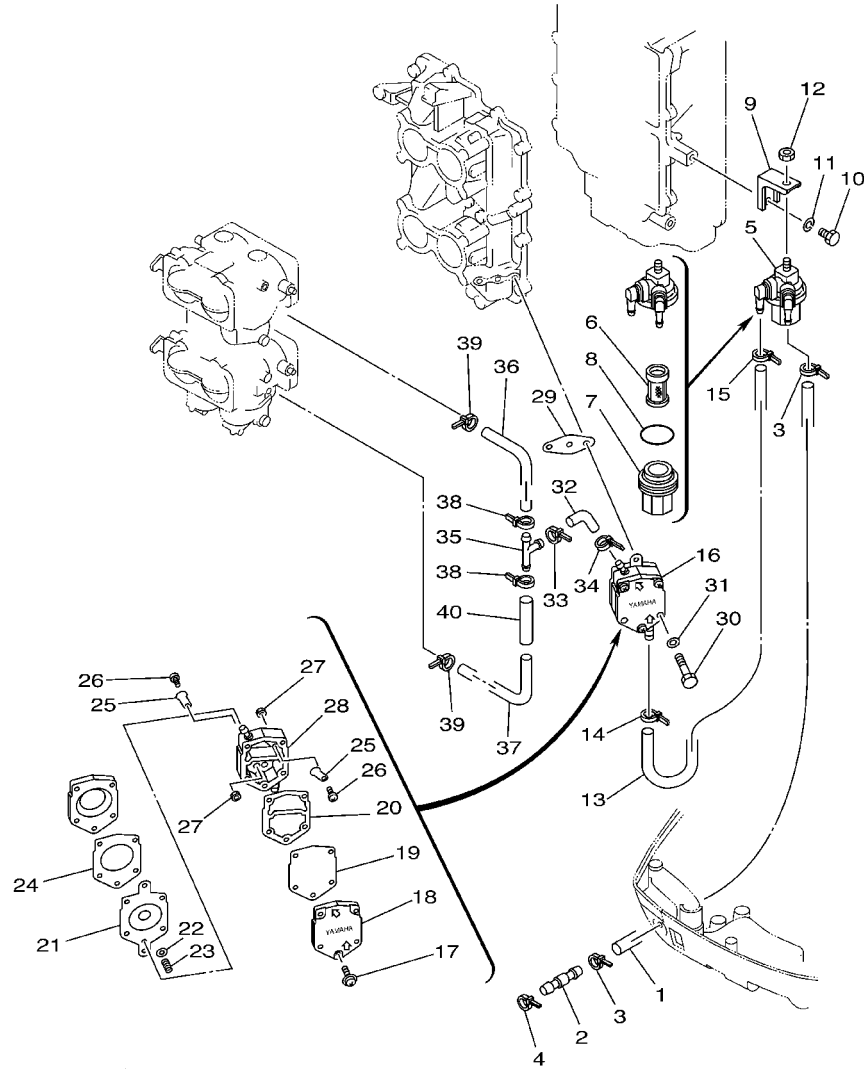


REF. NO.	PART NO. NO. PIECES	DESCRIPTION DESCRIPTION	115C	130B	REMARKS REMARQUES
1	6R3-24313-20	PIPE 3 (L:2820) DURITE 3 (L:2820)	1	1	
2	6R3-24377-00	PIPE, JOINT 3 DURITE RACCORDEMENT 3	1	1	
3	90465-11M10	CLAMP BRIDE	2	2	
4	90465-11M10	CLAMP BRIDE	1	1	
5	6R3-24560-00	FILTER ASSY ENS FILTRE	1	1	
6	61N-24563-00	.ELEMENT, FILTER .ELEMENT, FILTRE	1	1	
7	61N-24521-00	.CUP, FILTER .CUVETTE, FILTRE	1	1	
8	93210-32738	.O-RING .JOINT TORIQUE	1	1	
9	6E5-24566-00	BRACKET, FILTER SUPPORT, FILTRE	1	1	
10	97013-06014	BOLT BOULON	1	1	
11	92903-06100	WASHER, SPRING RONDELLE, GROWER	1	1	
12	95380-08600	NUT ECROU	1	1	
13	6E5-24314-00	PIPE 4 DURITE 4	1	1	
14	90465-11M10	CLAMP BRIDE	1	1	
15	90465-11M10	CLAMP BRIDE	1	1	
16	6E5-24410-03	FUEL PUMP ASSY POMPE A ESSENCE	1	1	
17	6E5-24444-00	.SCREW .VIS	3	3	
18	6E5-24413-00	.BODY 2 .CORPS 2	1	1	
19	6E5-24471-00	.DIAPHRAGM DIAPHRAGME	1	1	
20	6E5-24435-00	.GASKET, BODY 2 .JOINT, CORPS 2	1	1	
21	6E5-24411-00	.DIAPHRAGM DIAPHRAGME	1	1	
22	648-24424-00	.SEAT, SPRING .SIEGE, RESSORT	1	1	
23	6E5-24423-00	.SPRING, DIAPHRAGM .RESSORT, DIAPHRAGME	1	1	
24	6E5-24434-02	.GASKET, BODY .JOINT, CORPS	1	1	
25	6A0-24421-01	.VALVE, CHECK .SOUPAPE, RETENUE	4	4	
26	6A0-14325-00	.SCREW, PAN HEAD .VIS TETE CONIQUE	4	4	
27	95380-03600	.NUT .ECROU	4	4	

  
6N42110-3090

FIG. 9 FUEL 1

CARBURANT 1

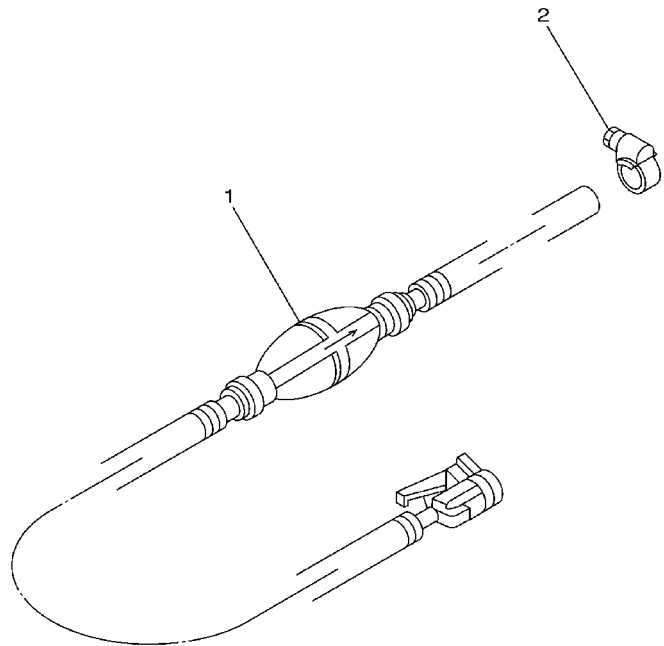


6N42110-3090

REF. NO.	PART NO. NO. PIECES	DESCRIPTION DESCRIPTION	115C	130B	REMARKS REMARQUES
28	6E5-24412-10	.BODY 1 .CORPS 1	1	1	
29	650-24431-A0	GASKET, FUEL PUMP 1 JOINT 1 DE POMPE A ESSENCE	1	1	
30	97095-06050	BOLT BOULON	2	2	
31	92995-06600	WASHER RONDELLE	2	2	
32	6G5-24316-10	PIPE 6 DURITE 6	1	1	
33	90465-11M10	CLAMP BRIDE	1	1	
34	90465-11M10	CLAMP BRIDE	1	1	
35	6E5-24376-10	PIPE, JOINT 1 DURITE 1, RACCORDEMENT	1	1	
36	6G5-24318-10	PIPE, OVERFLOW DURITE, REFOULEMENT	1	1	
37	6G5-24319-10	PIPE, OIL DURITE A HUILE	1	1	
38	90465-11M10	CLAMP BRIDE	2	2	
39	90465-11M10	CLAMP BRIDE	2	2	
40	90446-15M07	HOSE DURITE	1	1	

**FIG. 10 FUEL 2**

**CARBURANT 2**



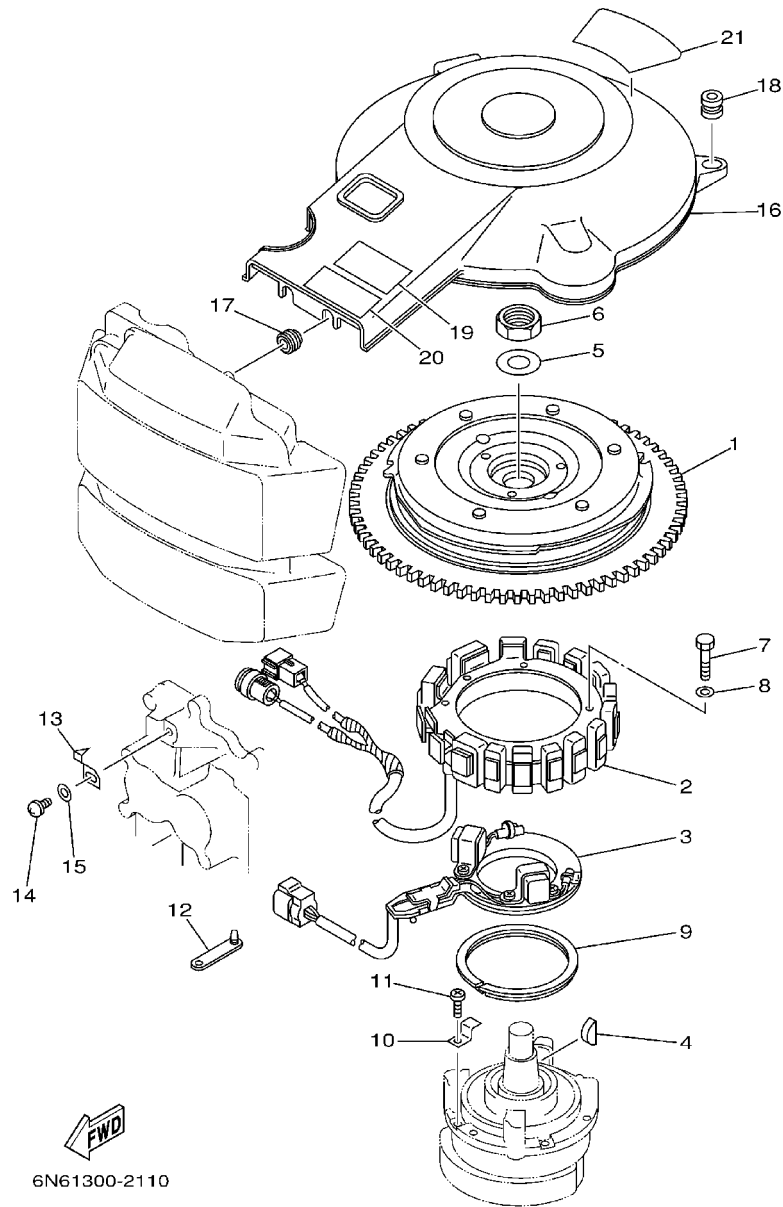
REF. NO.	PART NO. NO. PIECES	DESCRIPTION DESCRIPTION	115C	130B			REMARKS REMARQUES
1	6YK-24307-42	FUEL PIPE COMP. 2 DURITE A ESSENCE 2	1	1			AP
2	90450-10M07	HOSE CLAMP ASSY BRIDE, DE DURITE	1	1			AP



6N61300-2100

FIG. 11 GENERATOR

GENERATRICE

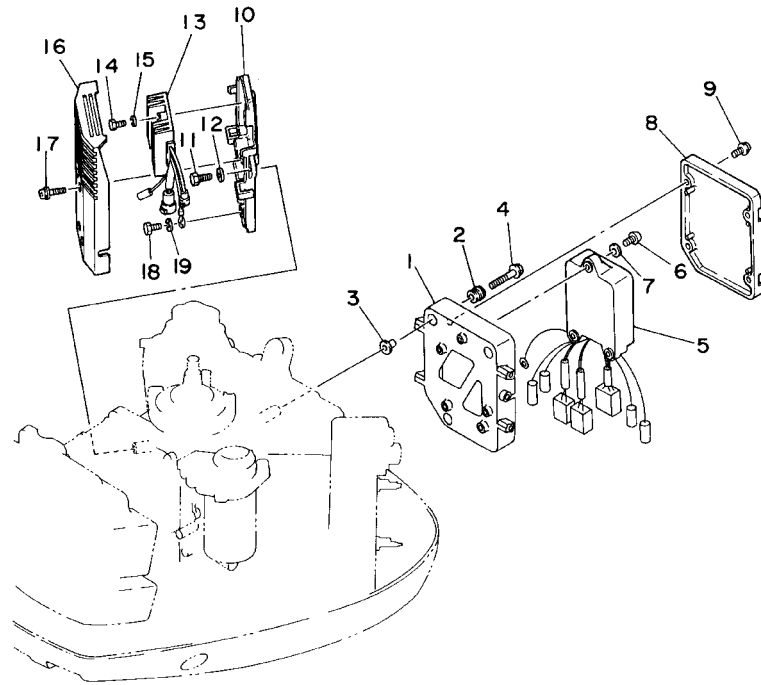


  
6N61300-2110

REF. NO.	PART NO. NO. PIECES	DESCRIPTION DESCRIPTION	115C	130B	REMARKS REMARQUES
1	6N7-85550-00	ROTOR ASSY ROTOR CPLT	1	1	
2	6N7-85510-00	STATOR ASSY STATOR CPLT	1	1	
3	6E5-85580-00	COIL, PULSER BOBINE, PULSEUR	1	1	
4	90280-05015	KEY, WOODRUFF CLAVETTE, DEMI-LUNE	1	1	
5	90201-21M18	WASHER, PLATE RONDELLE, PLATE	1	1	
6	90170-20137	NUT ECROU	1	1	
7	97013-06065	BOLT BOULON	4	4	
8	92903-06600	WASHER, PLATE RONDELLE, PLATE	4	4	
9	688-41611-00	RETAINER, MAGNETO BASE FLASQUE, PLATEAU D'AVANCE	1	1	
10	688-41612-00	RETAINER, MAGNETO BASE FLASQUE, PLATEAU D'AVANCE	4	4	
11	97880-06018	SCREW, PAN HEAD VIS, TETE TRONCONIQUE	4	4	
12	90464-12M00	CLAMP BRIDE	1	1	
13	6E5-81332-00	PLATE, TIMING PLATEAU, ALLUMAGE	1	1	
14	97885-06010	SCREW, PAN HEAD VIS, A ENCOCHE	1	1	
15	92995-06600	WASHER RONDELLE	1	1	
16	6N7-81337-00	COVER, FLYWHEEL COUVERCLE, VOLANT	1	1	
17	90480-12M11	GROMMET PASSE-FIL	2	2	
18	663-82317-01	DAMPER, IGNITION COIL AMORTISSEUR, BOBINE D'ALLUM	2	2	
19	6A1-83625-51	MARK 5 ETIQUETTE 5	1	1	
20	6A1-83625-41	MARK 5 ETIQUETTE 5	1	1	
21	6E5-14488-00	LABEL, CAUTION ETIQUETTE, RECOMMANDATION	1	1	

FIG. 12 ELECTRICAL 1

PARTIE ELECTRIQUE 1



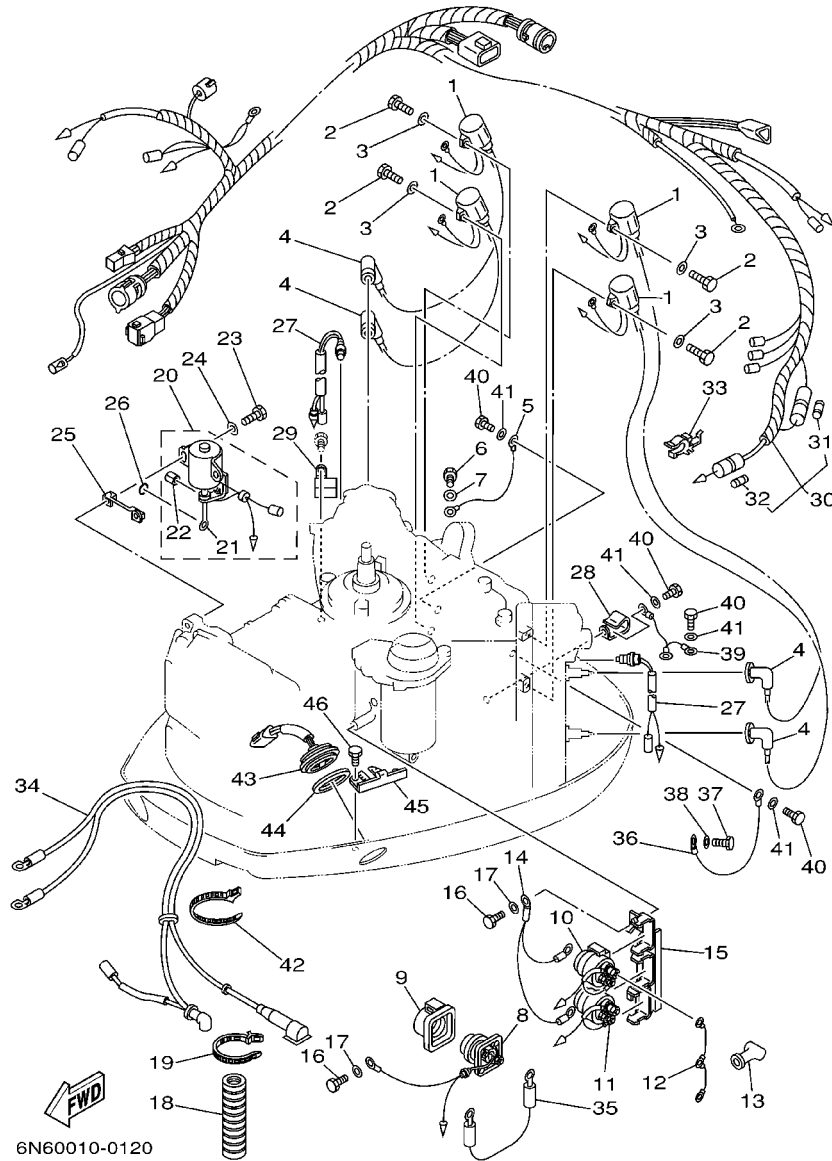
REF. NO.	PART NO. NO. PIECES	DESCRIPTION DESCRIPTION	115C	130B	REMARKS REMARQUES
1	6N7-85542-01-1S	BRACKET SUPPORT	1	1	
2	6A0-82317-00	DAMPER, IGNITION COIL AMORTISSEUR, BOBINE D'ALLUM	3	3	
3	624-42542-00	PIPE TUYAU	3	3	
4	90119-06M59	BOLT, WITH WASHER BOULON, AVEC RONDELLE	3	3	
5	6N7-85540-01	C.D.I. UNIT ASSY BLOC C.D.I.	1	1	
6	97880-06020	SCREW, PAN HEAD VIS, TETE TRONCONIQUE	3	3	
7	92990-06600	WASHER, PLATE RONDELLE, PLATE	3	3	
8	6N7-85537-00	COVER COUVERCLE	1	1	
9	90159-06M11	SCREW, WITH WASHER VIS, AVEC RONDELLE	4	4	
10	6N7-81948-00-94	BRACKET JOINT TORIQUE	1	1	
11	97013-06016	BOLT BOULON	3	3	
12	92903-06600	WASHER, PLATE RONDELLE, PLATE	3	3	
13	6R3-81960-00	RECTIFIER & REGULATOR ASSY REDRESSEUR REGULATEUR CPLT	1	1	
14	97013-06025	BOLT BOULON	2	2	
15	92903-06600	WASHER, PLATE RONDELLE, PLATE	2	2	
16	6R3-81942-00	COVER COUVERCLE	1	1	
17	90159-06M08	SCREW, WITH WASHER VIS, AVEC RONDELLE	4	4	
18	97013-06012	BOLT BOULON	1	1	
19	92903-06600	WASHER, PLATE RONDELLE, PLATE	1	1	



6N60010-4110

FIG. 13 ELECTRICAL 2

PARTIE ELECTRIQUE 2



REF. NO.	PART NO. NO. PIECES	DESCRIPTION DESCRIPTION	115C	130B	REMARKS REMARQUES
1	6R3-85570-01	IGNITION COIL ASSY BOBINE D'ALLUMAGE (ENS.)	4	4	
2	97095-06020	BOLT BOULON	4	4	
3	92995-06600	WASHER RONDELLE	4	4	
4	6G1-82370-21	PLUG CAP ASSY ANTIPARASITE	4	4	
5	662-82519-00	WIRE, EARTH LEAD FIL. MASSE	1	1	
6	97095-06012	BOLT BOULON	1	1	
7	92995-06600	WASHER RONDELLE	1	1	
8	61A-81941-00	STARTER RELAY ASSY LANCEUR RELAIS (ENS.)	1	1	
9	689-81952-10	HOLDER, RELAY SUPPORT, RELAIS	1	1	
10	6E5-81950-00	RELAY ASSY RELAIS COMPLET	1	1	
11	6E5-8195A-00	RELAY ASSY RELAIS COMPLET	1	1	
12	6G5-87149-10	CONNECTOR RACCORD	1	1	
13	6G5-82119-00	COVER, LEAD WIRE GARNITURE, FIL	2	2	
14	6E5-82116-00	WIRE, MINUS LEAD FIL, NEGATIF	1	1	
15	6E5-81948-22	BRACKET JOINT TORIQUE	1	1	
16	97095-06016	BOLT BOULON	2	2	
17	92995-06600	WASHER RONDELLE	2	2	
18	6N7-83557-00	TUBE TUBE	1	1	I.DIA.: 22MM
19	90465-13M18	CLAMP BRIDE	1	1	
20	6N7-86110-00	SOLENOID SOLENOID	1	1	
21	6N7-86116-00	WIRE, PULL CABLE, TENSION	1	1	
22	91609-30010	PIN, SPRING AXE DE RESSORT	1	1	
23	97095-06030	BOLT BOULON	2	2	
24	92995-06600	WASHER RONDELLE	2	2	
25	6N7-86112-00	STAY, SOLENOID SUPPORT, SOLENOIDE	1	1	
26	93210-03261	O-RING JOINT TORIQUE	1	1	
27	688-82560-10	THERMO SWITCH ASSY THERMO-CONTACT COMPLET	2	2	

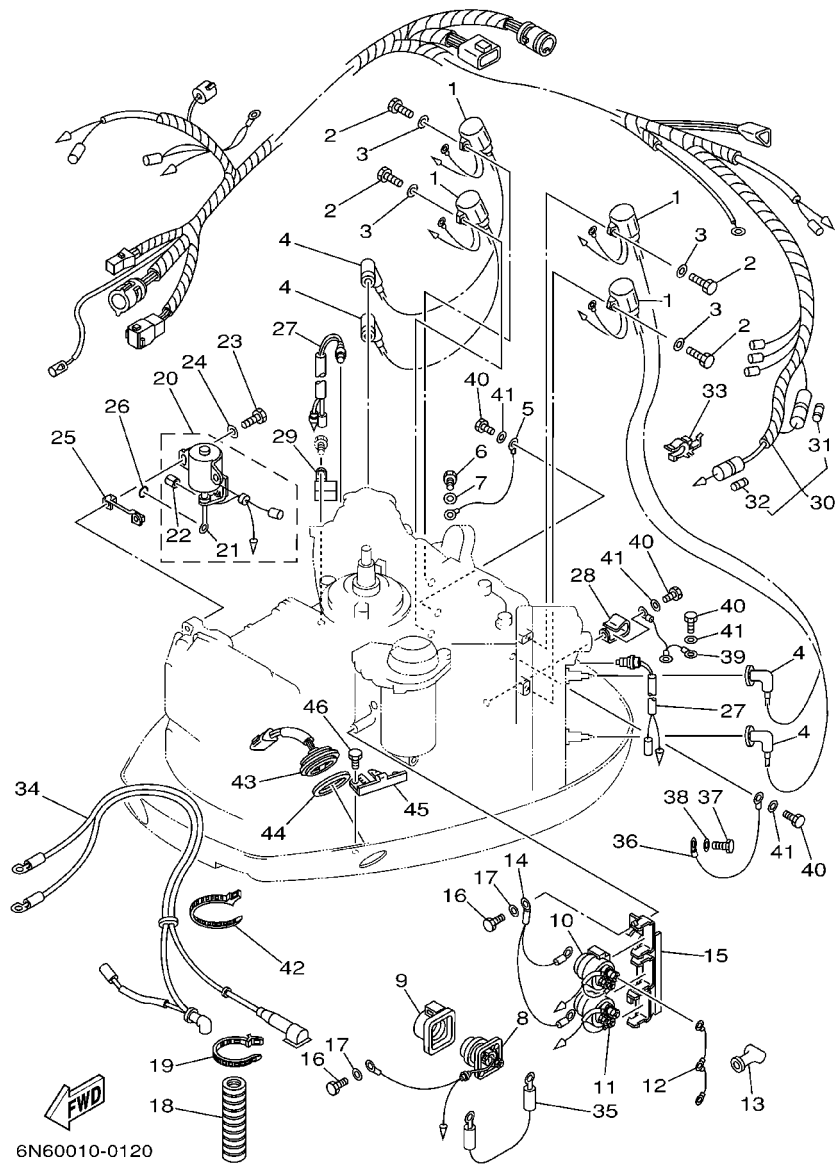


FIG. 13 ELECTRICAL 2

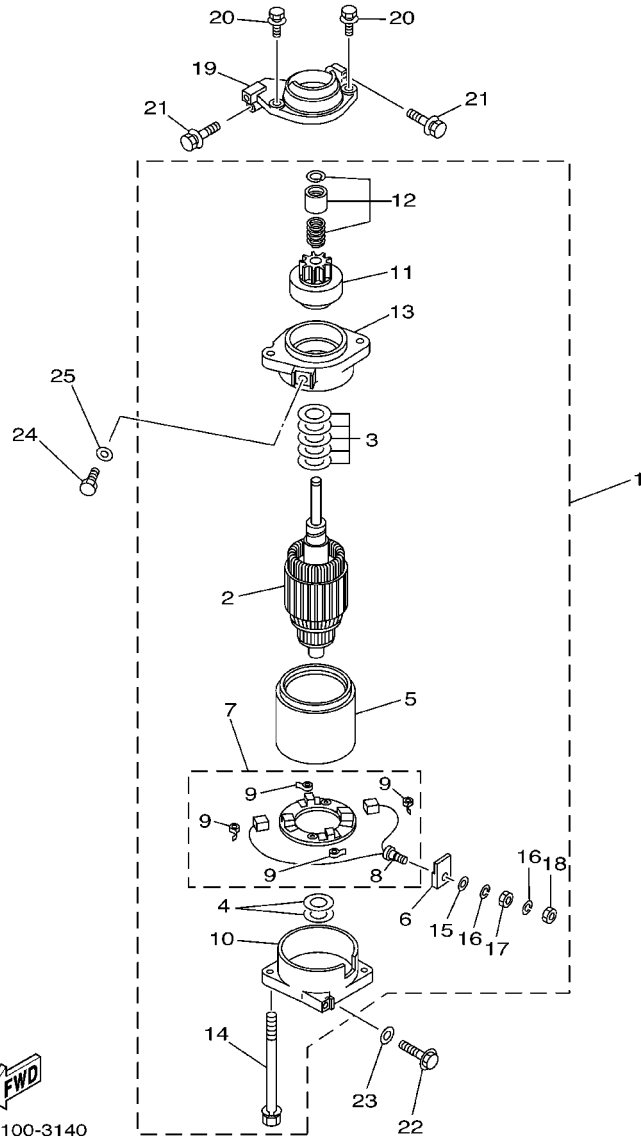
PARTIE ELECTRIQUE 2

REF. NO.	PART NO. NO. PIECES	DESCRIPTION DESCRIPTION	115C	130B	REMARKS REMARQUES
28	90465-05M87	CLAMP BRIDE	1	1	
29	90465-08M89	CLAMP BRIDE	1	1	
30	6N7-82590-14	WIRE HARNESS ASSY FAISCEAU DE FILS COMPLET	1	1	
31	663-82151-00	.FUSE (12V-20A) .FUSIBLE (12V-20A)	1	1	
32	705-82151-00	.FUSE (30A) .FUSIBLE (30A)	1	1	
33	6G5-82152-00	HOLDER, FUSE SUPPORT, FUSIBLE	2	2	
34	6N7-82105-02	WIRE HARNESS FAISCEAU DE FILS	1	1	
35	6E5-82117-01	WIRE, LEAD FIL	1	1	
36	6R3-82519-00	WIRE, EARTH LEAD FIL, MASSE	1	1	
37	97095-06012	BOLT BOULON	1	1	
38	92995-06600	WASHER RONDELLE	1	1	
39	6E5-82531-10	WIRE, LEAD FIL	1	1	
40	97095-06012	BOLT BOULON	4	4	
41	92995-06600	WASHER RONDELLE	4	4	
42	90465-13M18	CLAMP BRIDE	1	1	
43	6R3-82563-00	TRIM & TILT SWITCH ASSY INCLINER ET PARER COMMUTATEUR	1	1	
44	6E5-82587-00	GASKET JOINT	1	1	
45	6R3-83614-00	BRACKET SUPPORT	1	1	
46	97095-06012	BOLT BOULON	2	2	



FIG. 14 STARTING MOTOR

DEMARREUR ELECTRIQUE

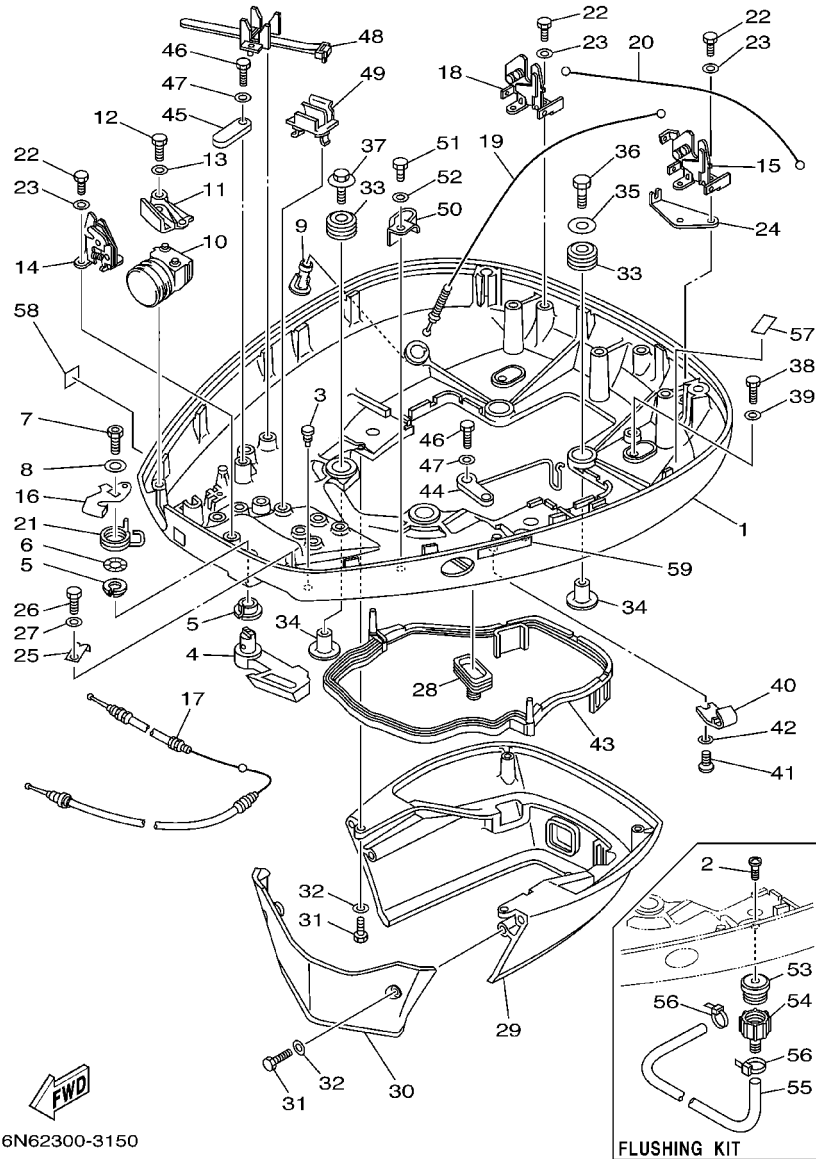


64D2100-3140

REF. NO.	PART NO. NO. PIECES	DESCRIPTION DESCRIPTION	115C	130B	REMARKS REMARQUES
1	6N7-81800-10	STARTING MOTOR ASSY DEMARREUR ELECTRIQUE COMPLET	1	1	
2	6N7-81850-10	.ARMATURE ASSY .INDUIT	1	1	
3	61A-81809-00	.WASHER KIT .JEU DE RONDELLES	1	1	
4	61A-81824-00	.WASHER 2 .RONDELLE 2	2	2	
5	6N7-81810-00	.STATOR ASSY .STATOR COMPLET	1	1	
6	6K7-8182G-10	.BUSH, TERMINAL .DOUILLE	1	1	
7	6N7-81840-00	.BRUSH HOLDER ASSY .SUPPORT DE CHARBON	1	1	
8	6N7-81801-00	.BRUSH SET .CHARBON	1	1	
9	6N7-81813-00	.SPRING, BRUSH .RESSORT, DE CHARBON	4	4	
10	6N7-81820-10	.REAR BRACKET ASSY .SUPPORT ARRIERE COMPLET	1	1	
11	6N7-81807-00	.GEAR ASSY, STARTING MOTOR .PIGNON, DEMARREUR ELECTRIQUE	1	1	
12	6N7-81857-00	.RETAINER .ARRETOIR	1	1	
13	6N7-81830-00	.FRONT BRACKET ASSY .SUPPORT AVANT	1	1	
14	6K7-81826-10	.BOLT .BOULON	2	2	
15	6E5-8182E-10	.WASHER .RONDELLE	1	1	
16	6E5-8182F-10	.WASHER .RONDELLE	2	2	
17	6E5-8182A-10	.NUT .ECROU	1	1	
18	6E5-8182K-10	.NUT .ECROU	1	1	
19	6R3-81822-00-94	BRACKET, STARTING MOTOR SUPPORT, DEMARREUR ELECTRIQUE	1	1	
20	90119-08M76	BOLT, WITH WASHER BOULON, AVEC RONDELLE	2	2	
21	90119-08M77	BOLT, WITH WASHER BOULON, AVEC RONDELLE	2	2	
22	90119-08M57	BOLT, WITH WASHER BOULON, AVEC RONDELLE	1	1	
23	92990-08600	WASHER, PLATE RONDELLE, PLATE	1	1	
24	97095-08016	BOLT BOULON	1	1	
25	92995-08600	WASHER RONDELLE	1	1	

FIG. 15 BOTTOM COWLING

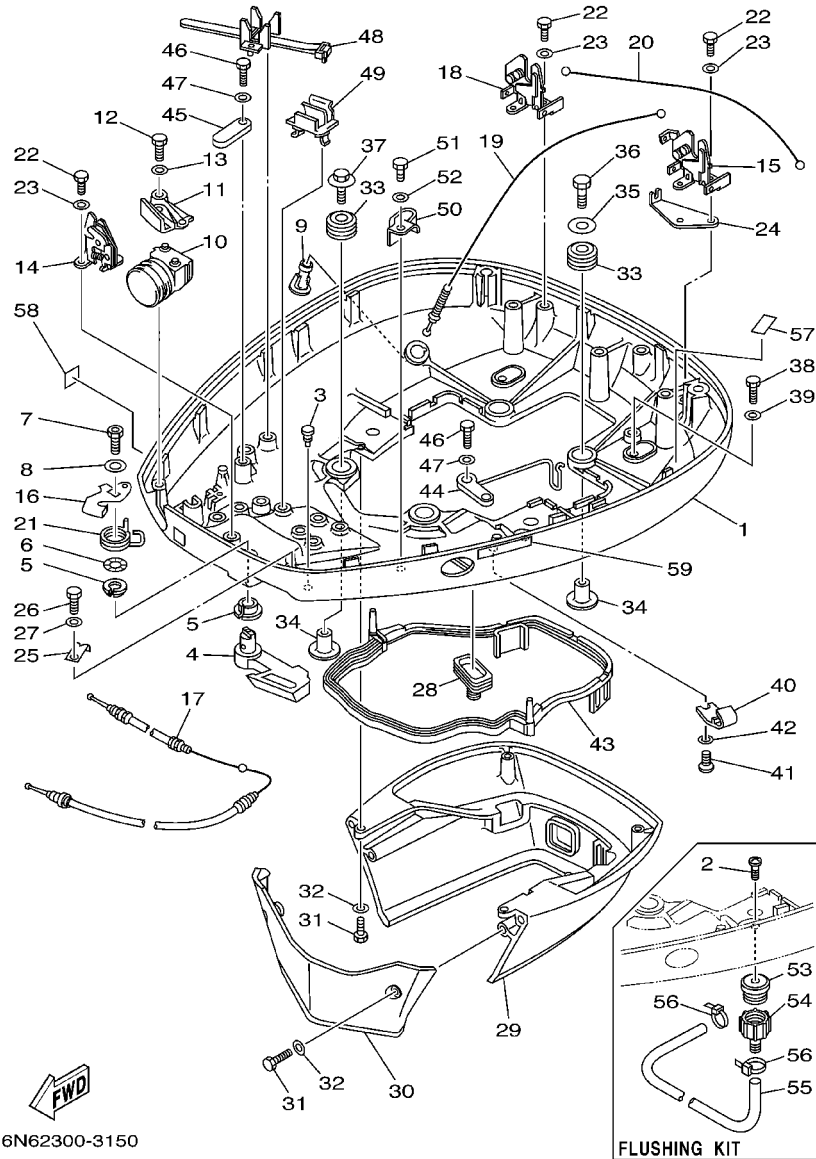
CAPOT INFERIEUR



REF. NO.	PART NO. NO. PIECES	DESCRIPTION DESCRIPTION	115C	130B	REMARKS REMARQUES
1	6N7-42711-43-8D	COWLING, BOTTOM CUVETTE	1	1	
2	90169-05M00	SCREW, TRUSS HEAD TAPPING VIS, TETE FRAISEE	1	1	FLUSHING KIT
3	6H4-42748-00	GROMMET PASSE-FIL	1	1	
4	6N7-42815-01-8D	LEVER, CLAMP LEVIER, PRESSE	1	1	
5	90386-13M88	BUSH DQUILLE	2	2	
6	90206-13M10	WASHER, WAVE RONDELLE, ONDULEE	1	1	
7	90109-08M45	BOLT BOULON	1	1	
8	92990-08200	WASHER, PLAIN RONDELLE, PLATE	1	1	
9	6E5-44391-00	NIPPLE, HOSE RACCORD D'ESSENCE	1	1	
10	6N7-42725-30	GROMMET PASSE-FIL	1	1	
11	6N7-42738-02-5B	PLATE, FITTING ETRIER	1	1	
12	97095-06016	BOLT BOULON	2	2	
13	92995-06600	WASHER RONDELLE	2	2	
14	6R3-42824-00	BASE, CLAMP LEVER BASE, BIRDE LEVIER	1	1	
15	6R3-42811-01	STAY SUPPORT	1	1	
16	6R3-42816-00	LEVER, CLAMP LEVIER, PRESSE	1	1	
17	6N7-42850-00	WIRE COMPLETE FIL COMPLET	1	1	
18	6R3-42811-10	STAY SUPPORT	1	1	
19	6N7-42850-10	WIRE COMPLETE FIL COMPLET	1	1	
20	6N7-42850-20	WIRE COMPLETE FIL COMPLET	1	1	
21	6R3-42813-00	SPRING, CLAMP LEVER RESSORT	1	1	
22	97095-06016	BOLT BOULON	6	6	
23	92995-06600	WASHER RONDELLE	6	6	
24	6N7-42828-00	PLATE, CLAMP PLAQUE, PRESSE	1	1	
25	6R3-42828-00	PLATE, CLAMP PLAQUE, PRESSE	1	1	
26	97095-06010	BOLT BOULON	1	1	
27	92995-06600	WASHER RONDELLE	1	1	

FIG. 15 BOTTOM COWLING

CAPOT INFERIEUR

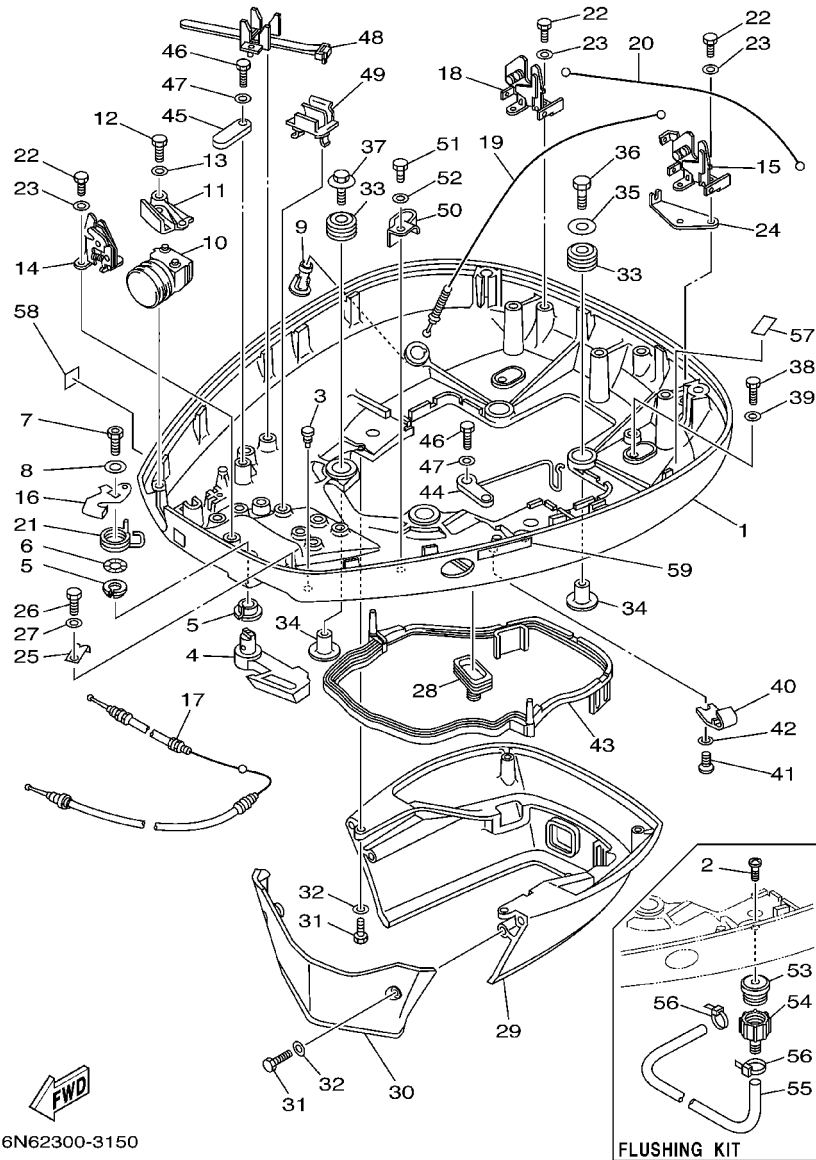


**FWD**  
6N62300-3150

REF. NO.	PART NO. NO. PIECES	DESCRIPTION DESCRIPTION	115C	130B	REMARKS REMARQUES
28	688-42726-10	GROMMET PASSE-FIL	1	1	
29	6N7-42741-01-8D	APRON CAPOT LATERAL	1	1	
30	6R3-42771-01-8D	APRON CAPOT LATERAL	1	1	
31	97095-06020	BOLT BOULON	4	4	
32	92995-06600	WASHER RONDELLE	4	4	
33	90480-22M15	GROMMET PASSE-FIL	4	4	
34	90387-08M37	COLLAR COLLERETTE	4	4	
35	90201-08M54	WASHER, PLATE RONDELLE, PLATE	1	1	
36	97075-08035	BOLT BOULON	1	1	
37	90119-08M22	BOLT, WITH WASHER BOULON, AVEC RONDELLE	3	3	
38	97095-06020	BOLT BOULON	2	2	
39	92995-06600	WASHER RONDELLE	2	2	
40	6E5-24367-10	CLAMP, FUEL PIPE 2 COLLIER DE DURITE A ESSENCE	1	1	
41	90157-06M01	SCREW, PAN HEAD VIS, TETE TRONCONIQUE	1	1	
42	92990-06600	WASHER, PLATE RONDELLE, PLATE	1	1	
43	6E5-42716-00	RUBBER, SEAL 1 JOINT EN CAOUTCHOUC 1	1	1	
44	6K7-82588-00	PLATE PLAQUE	1	1	
45	6E5-82588-00	PLATE PLAQUE	1	1	
46	97095-06020	BOLT BOULON	2	2	
47	92995-06600	WASHER RONDELLE	2	2	
48	688-82594-00	CLAMP BRIDE	1	1	
49	6E5-82594-00	CLAMP BRIDE	4	4	
50	90465-12M25	CLAMP BRIDE	1	1	
51	97095-06012	BOLT BOULON	1	1	
52	92995-06600	WASHER RONDELLE	1	1	
53	6R3-12572-00	ADAPTER ADAPTATEUR	1	1	FLUSHING KIT
54	6R3-12580-00	JOINT ASSY ARTICULER (ENS.)	1	1	FLUSHING KIT

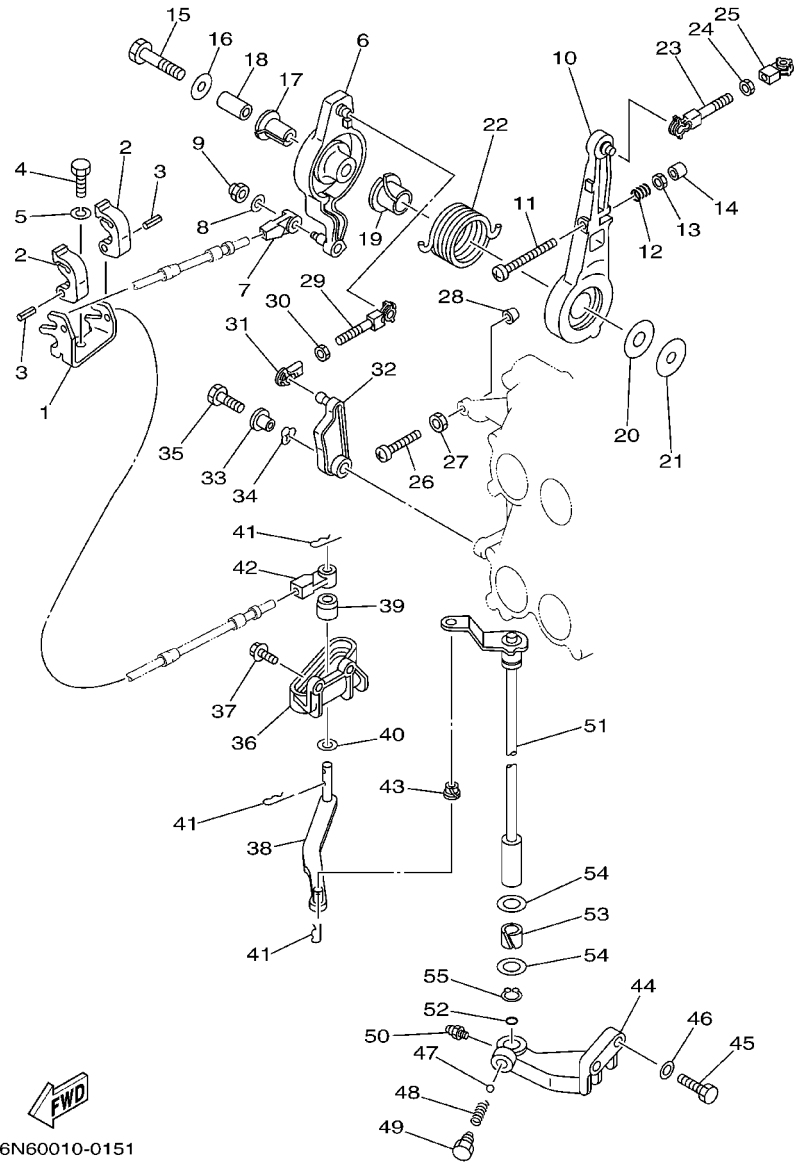
FIG. 15 BOTTOM COWLING

CAPOT INFERIEUR



6N62300-3150

REF. NO.	PART NO. NO. PIECES	DESCRIPTION DESCRIPTION	115C	130B	REMARKS REMARQUES
55	90445-11M35	HOSE (L540) DURITE (L540)	1	1	FLUSHING KIT
56	90465-11M10	CLAMP BRIDE	2	2	FLUSHING KIT
57	6G5-42791-10	MARK 1 ETIQUETTE 1	1		
	6K7-42791-00	MARK 1 ETIQUETTE 1		1	
58	6A1-28176-00	LABEL, CAUTION ETIQUETTE, RECOMMANDATION	1	1	
59	6E3-8257H-00	PLATE, MARK PLAQUE, ADHESIF	1	1	
-----					
-----					
-----					
-----					
-----					
-----					
-----					
-----					
-----					
-----					

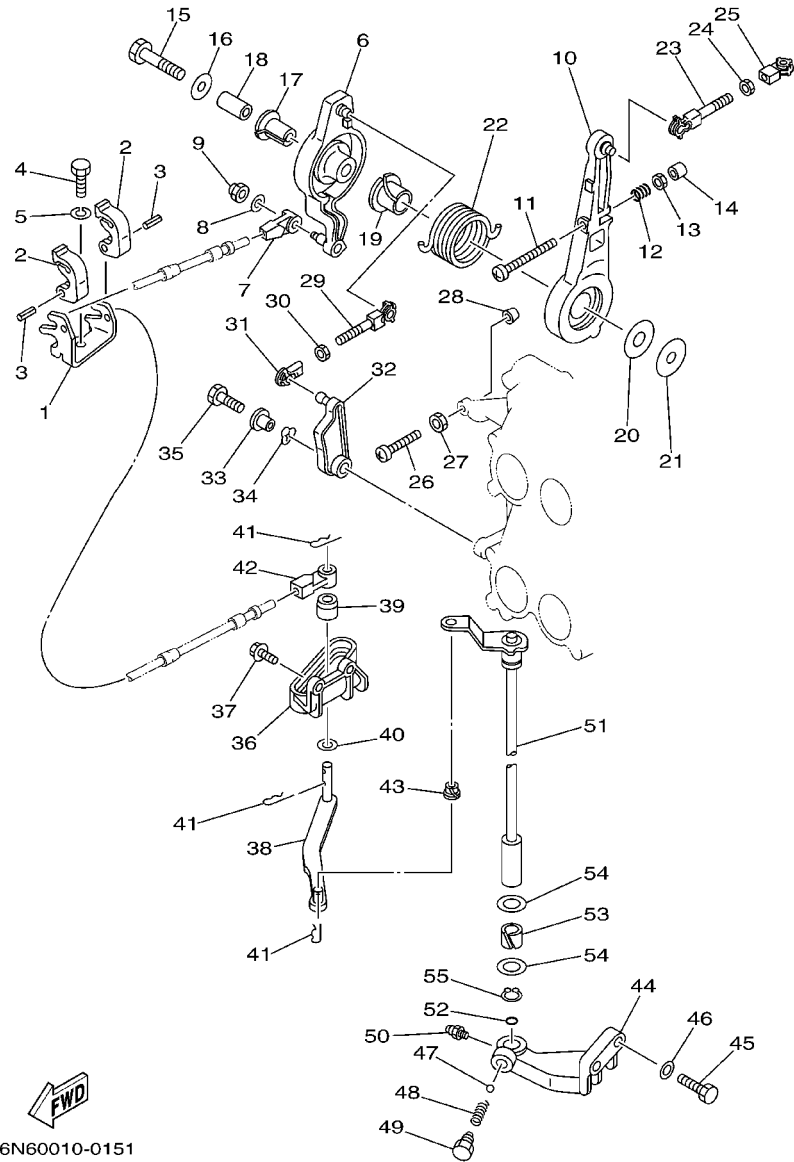


6N60010-0151

FIG. 16 CONTROL

COMMANDE

REF. NO.	PART NO. NO. PIECES	DESCRIPTION DESCRIPTION	115C	130B	REMARKS REMARQUES
1	6E5-48531-00	BRACKET, REMOTE CONTROL 1 ETRIER 1, COMMANDE A DISTANCE	1	1	
2	6E5-48538-00	CLAMP, CABLE COLLIER	2	2	
3	91690-30012	PIN, SPRING AGRAFFE	2	2	
4	97095-08020	BOLT BOULON	1	1	
5	92995-08100	WASHER RONDELLE	1	1	
6	6E5-41632-02-1S	LEVER, MAGNETO CONTROL LEVIER, COMMANDE D'AVANCE	1	1	
7	6E5-48344-00	CABLE END, REMOTE CONTROL CHAPE CABLE	1	1	
8	92990-06200	WASHER, PLAIN RONDELLE, PLATE	1	1	
9	90185-06M07	NUT, SELF-LOCKING ECROU, AUTO-BLOCANT	1	1	
10	6E5-41631-01-1S	LEVER, MAGNETO CONTROL LEVIER, COMMANDE D'AVANCE	1	1	
11	90157-06013	SCREW, PAN HEAD VIS, TETE TRONCONIQUE	1	1	
12	90501-16M12	SPRING, COMPRESSION RESSORT, COMPRESSION	1	1	
13	95303-06600	NUT ECROU	1	1	
14	688-44194-00	CAP CAPUCHON	1	1	
15	97013-08045	BOLT BOULON	1	1	
16	90201-08M23	WASHER, PLATE RONDELLE, PLATE	1	1	
17	90386-12089	BUSH DOUILLE	1	1	
18	90387-08M16	COLLAR COLLERETTE	1	1	
19	90386-22M13	BUSH DOUILLE	1	1	
20	90202-12092	WASHER, PLATE RONDELLE, PLATE	1	1	
21	90201-08M13	WASHER, PLATE RONDELLE, PLATE	1	1	
22	90508-29M12	SPRING, TORSION RESSORT, TORSION	1	1	
23	6E5-41636-01	ROD, MAGNETO CONTROL BIELLETTE, COMMANDE D'AVANCE	1	1	
24	95380-05600	NUT ECROU	1	1	
25	662-41237-01	JOINT, LINK RACCORD	1	1	
26	90157-06013	SCREW, PAN HEAD VIS, TETE TRONCONIQUE	1	1	
27	95303-06600	NUT ECROU	1	1	



6N60010-0151

FIG. 16 CONTROL

COMMANDE

REF. NO.	PART NO. NO. PIECES	DESCRIPTION DESCRIPTION	115C	130B	REMARKS REMARQUES
28	688-44194-00	CAP CAPUCHON	1	1	
29	688-41636-00	ROD, MAGNETO CONTROL BIELLETTTE, COMMANDE D'AVANCE	1	1	
30	95380-05600	NUT ECROU	1	1	
31	662-41237-01	JOINT, LINK RACCORD	1	1	
32	6E5-41213-00	CAM, ACCEL. CAME, ACCELERATION	1	1	
33	90387-06M29	COLLAR COLLERETTE	1	1	
34	90206-10M04	WASHER, WAVE RONDELLE, ONDULEE	1	1	
35	97095-06025	BOLT BOULON	1	1	
36	6E5-44117-00-1S	BRACKET SUPPORT	1	1	
37	90119-06MA2	BOLT, WITH WASHER BOULON, AVEC RONDELLE	2	2	
38	68F-44121-00	LEVER, SHIFT ROD LEVIER, TIGE D'INVERSION	1	1	
39	6E5-44122-00	BUSHING, SHIFT ROD LEVER DOUILLE, LEVIER D'EMBRAYAGE	1	1	
40	90202-08M20	WASHER, PLATE RONDELLE, PLATE	1	1	
41	90468-18008	CLIP JONC	3	3	
42	6E5-48344-00	CABLE END, REMOTE CONTROL CHAPE CABLE	1	1	
43	90386-06M12	BUSH DOUILLE	1	1	
44	6E5-44118-01-94	BRACKET SUPPORT	1	1	
45	97013-08030	BOLT BOULON	2	2	
46	92903-08600	WASHER, PLATE RONDELLE, PLATE	2	2	
47	93501-04M02	BALL BILLE	1	1	
48	90501-12082	SPRING, COMPRESSION RESSORT, COMPRESSION	1	1	
49	648-42715-00	BUSHING COUSSINET	1	1	
50	93700-06M03	NIPPLE, GREASE PION	1	1	
51	6E5-44120-03	HANDLE GEAR SHIFT ASSY LEVIER D'EMBRAYAGE	1	1	L
52	93210-09165	O-RING JOINT TORIQUE	1	1	
53	90386-16M66	BUSH DOUILLE	1	1	
54	90202-16061	WASHER, PLATE RONDELLE, PLATE	2	2	

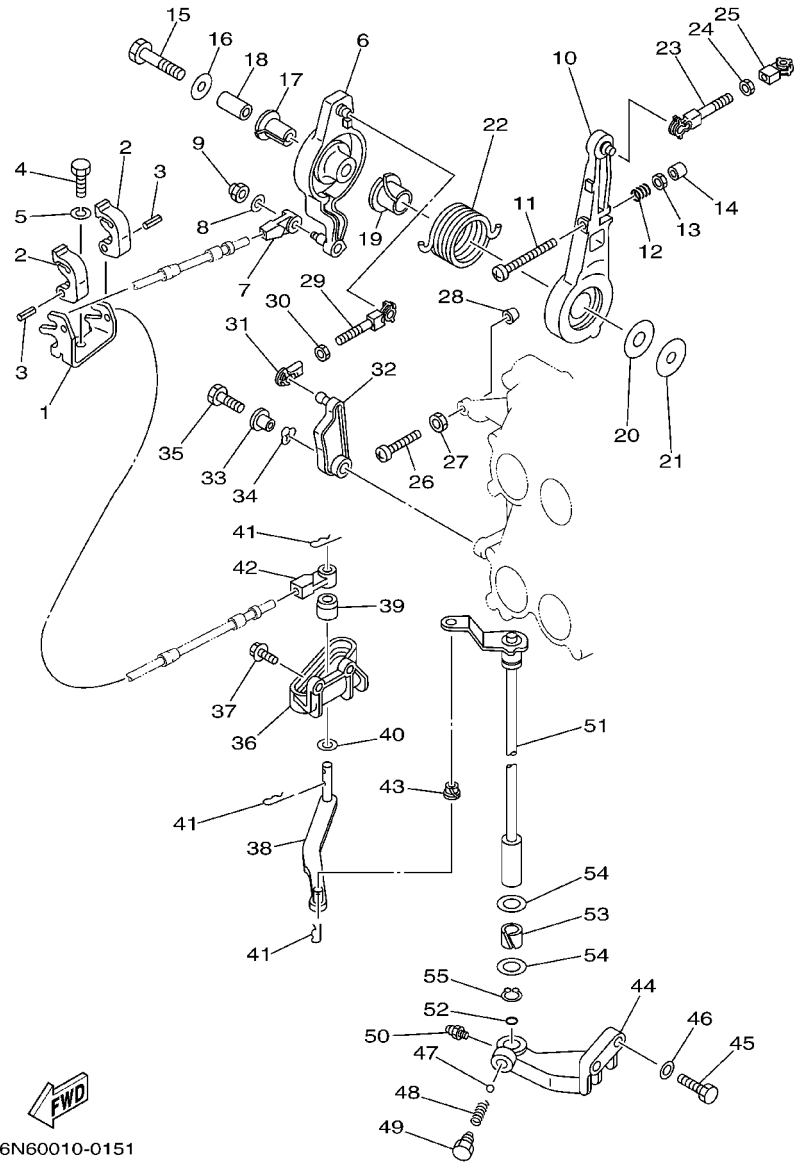


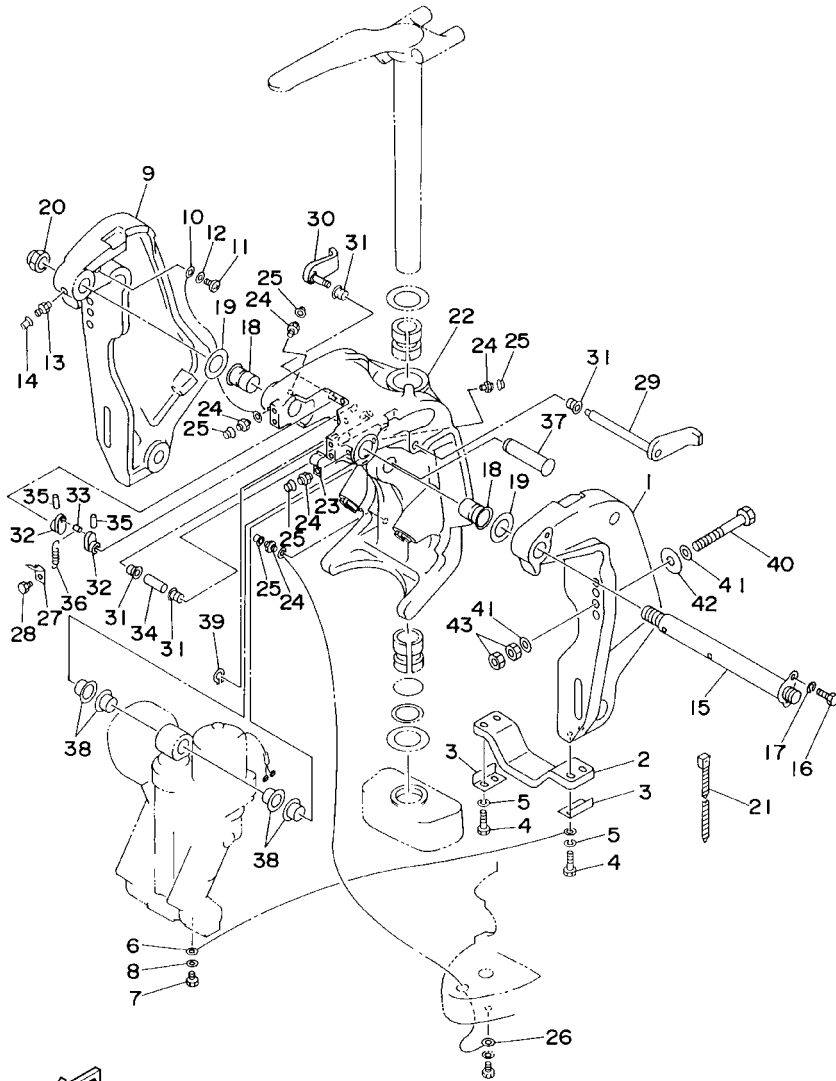
FIG. 16 CONTROL

COMMANDE

REF. NO.	PART NO. NO. PIECES	DESCRIPTION DESCRIPTION	115C	130B	REMARKS REMARQUES
55	93410-16006	CIRCLIP CLIPS	1	1	
-----					
-----					
-----					
-----					
-----					
-----					
-----					
-----					
-----					

FIG. 17 BRACKET 1

SUPPORT 1



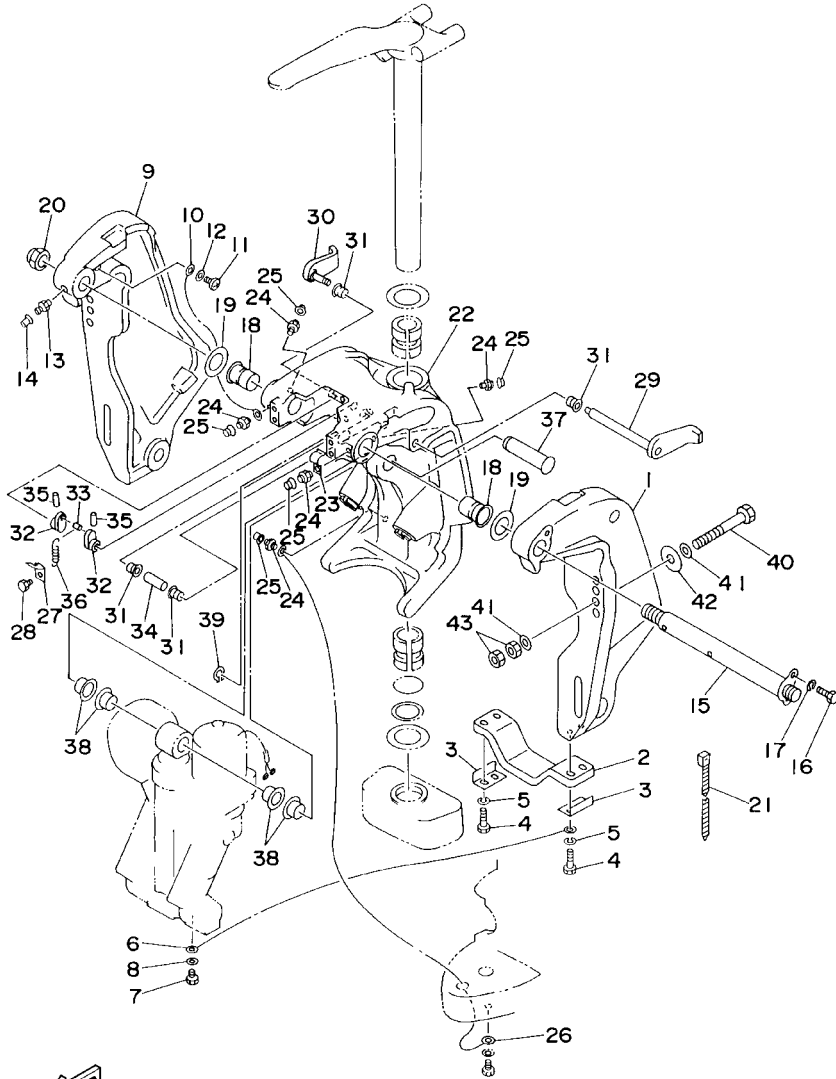
FWD  
6N60010-7160

REF. NO.	PART NO. NO. PIECES	DESCRIPTION DESCRIPTION	115C	130B	REMARKS REMARQUES
1	64E-43111-02-8D	BRACKET, CLAMP PRESSE	1	1	
2	6G5-45251-02	ANODE ANODE	1	1	
3	6G5-44526-00	PLATE PLAQUE	2	2	
4	97095-06030	BOLT BOULON	4	4	
5	92995-06100	WASHER, SPRING RONDELLE, GROUWER	4	4	
6	6E5-82148-00	WIRE, LEAD 4 FIL 4	1	1	
7	97095-06010	BOLT BOULON	1	1	
8	92995-06600	WASHER RONDELLE	1	1	
9	64E-43112-02-8D	BRACKET, CLAMP PRESSE	1	1	
10	6E5-82148-00	WIRE, LEAD 4 FIL 4	1	1	
11	97880-06012	SCREW, PAN HEAD VIS, TETE TRONCONIQUE	1	1	
12	92990-06600	WASHER, PLATE RONDELLE, PLATE	1	1	
13	93700-06M03	NIPPLE, GREASE PION	1	1	
14	663-45119-00	CAP, GREASE NIPPLE CAPUCHON, GRAISSEUR	1	1	AP
15	64E-43131-01	BOLT, CLAMP BRACKET BOULON, PRESSE	1	1	
16	97095-08020	BOLT BOULON	1	1	
17	92995-08100	WASHER RONDELLE	1	1	
18	90386-25M31	BUSH DOUILLE	2	2	
19	90201-26M59	WASHER, PLATE RONDELLE, PLATE	2	2	
20	90185-22M11	NUT, SELF-LOCKING ECROU, AUTO-BLOCANT	1	1	
21	90465-11M10	CLAMP BRIDE	1	1	
22	64E-43311-10-8D	BRACKET, SWIVEL 1 SUPPORT, PIVOT 1	1	1	L
23	90465-08M63	CLAMP BRIDE	1	1	
24	93700-06M03	NIPPLE, GREASE PION	5	5	
25	663-45119-00	CAP, GREASE NIPPLE CAPUCHON, GRAISSEUR	5	5	AP
26	6E5-82147-00	WIRE, LEAD 4 FIL 4	1	1	L
27	6G5-43144-00	HOOK, SPRING CROCHET	1	1	



FIG. 17 BRACKET 1

SUPPORT 1

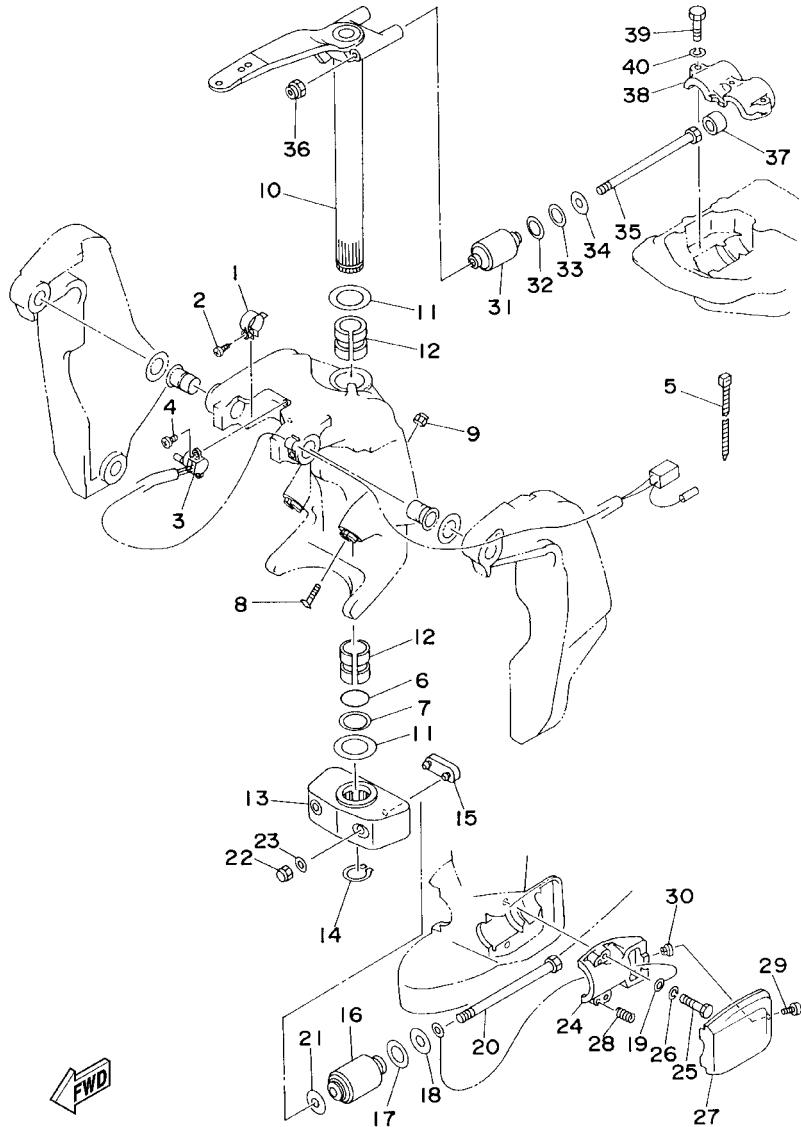


6N60010-7160

REF. NO.	PART NO. NO. PIECES	DESCRIPTION DESCRIPTION	115C	130B	REMARKS REMARQUES
28	97095-06010	BOLT BOULON	1	1	
29	6G5-43181-02	LEVER, TILT STOP LEVIER, VERROUILLAGE RELEVAGE	1	1	
30	6G5-43185-02	LEVER, TILT STOP LEVIER, VERROUILLAGE RELEVAGE	1	1	
31	90386-10M16	BUSH DOUILLE	4	4	
32	6G5-43148-00	COLLAR, DISTANCE ENTRETOISE	2	2	
33	90249-06M19	PIN GOUPILLE	1	1	
34	90387-10M05	COLLAR COLLERETTE	1	1	
35	91690-30020	PIN, SPRING AGRAFFE	2	2	
36	90506-14M24	SPRING, TENSION RESSORT, TENSION	1	1	
37	64E-43126-00	PIN, UPPER SHOCK MOUNT AXE, SUPERIEUR AMORTISSEUR	1	1	
38	90386-22M98	BUSH DOUILLE	4	4	
39	93410-22M11	CIRCLIP CLIPS	1	1	
40	90101-12M03	BOLT (L:115MM) BOULON (L:115MM)	4	4	
41	90201-13M01	WASHER, PLATE RONDELLE, PLATE	8	8	
42	90201-12M05	WASHER, PLATE RONDELLE, PLATE	4	4	
43	95380-12600	NUT ECROU	8	8	

FIG. 18 BRACKET 2

SUPPORT 2

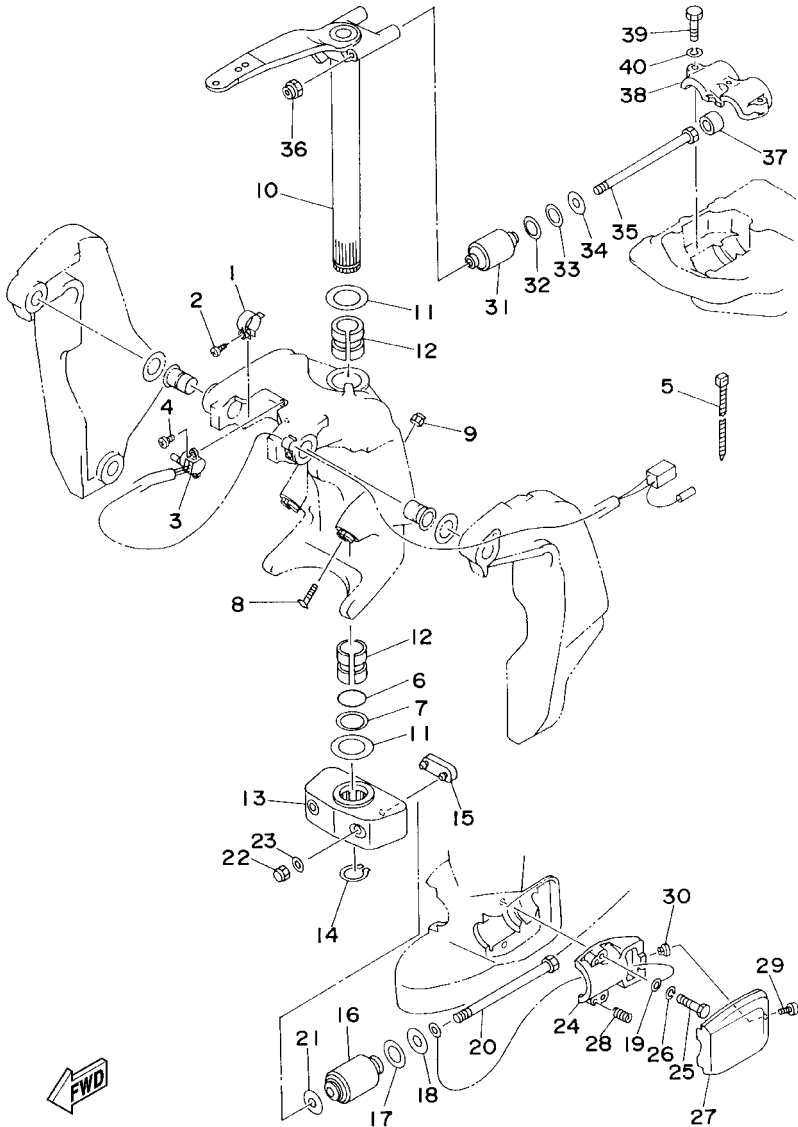


64D0010-7170

REF. NO.	PART NO. NO. PIECES	DESCRIPTION DESCRIPTION	115C	130B	REMARKS REMARQUES
1	64E-43139-02	CAM, TRIM SENDER VILEBREQUIN TRUM	1	1	
2	97780-60525	SCREW, TAPPING VIS, TETE BOMBEE	1	1	
3	64E-83672-02	TRIM SENDER INCLINER RACCORD	1	1	
4	97885-06016	SCREW, PAN HEAD VIS, A ENCOCHE	2	2	
5	90465-11M10	CLAMP BRIDE	3	3	
6	93210-37MH7	O-RING JOINT TORIQUE	1	1	
7	90202-40M47	WASHER, PLATE RONDELLE, PLATE	1	1	
8	61A-43376-00	BOLT, THRUST RECEIVER BOULON	2	2	
9	95780-10300	NUT, FLANGE ECROU	2	2	
10	6E5-42510-A1-8D	STEERING BRACKET ASSY DIRECTION SUPPORT.(ENS.)	1	1	L
11	90201-38M60	WASHER, PLATE RONDELLE, PLATE	2	2	
12	90386-38M32	BUSH DOUILLE	2	2	
13	6G5-44551-01-8D	HOUSING, LOWER MOUNT RUBBER BOITIER, SILENT-BLOC INFERIEUR	1	1	
14	93410-37M04	CIRCLIP CLIPS	1	1	
15	6E5-44575-00	DAMPER, LOWER MOUNT RUBBER SILENT-BLOC, INFERIEUR	1	1	
16	6E5-44555-00-94	MOUNT DAMPER, LOWER SIDE SILENT-BLOC, INFERIEUR LATERAL	2	2	
17	90202-32M19	WASHER, PLATE RONDELLE, PLATE	2	2	
18	90201-16M55	WASHER, PLATE RONDELLE, PLATE	2	2	
19	6E5-82149-00	WIRE, LEAD 3 FIL 3	1	1	
20	90109-14M34	BOLT BOULON	2	2	
21	90201-15M58	WASHER, PLATE RONDELLE, PLATE	2	2	
22	95380-14800	NUT ECROU	2	2	
23	92995-14600	WASHER RONDELLE	2	2	
24	6E5-44552-01-94	HOUSING, LOWER MOUNT RUBBER BOITIER, SILENT-BLOC INFERIEUR	2	2	
25	97095-10045	BOLT BOULON	4	4	
26	92995-10100	WASHER RONDELLE	4	4	
27	6E5-44553-01-8D	COVER, LOWER MOUNT COUVERCLE, SUSPENSION INFERIEUR	2	2	

FIG. 18 BRACKET 2

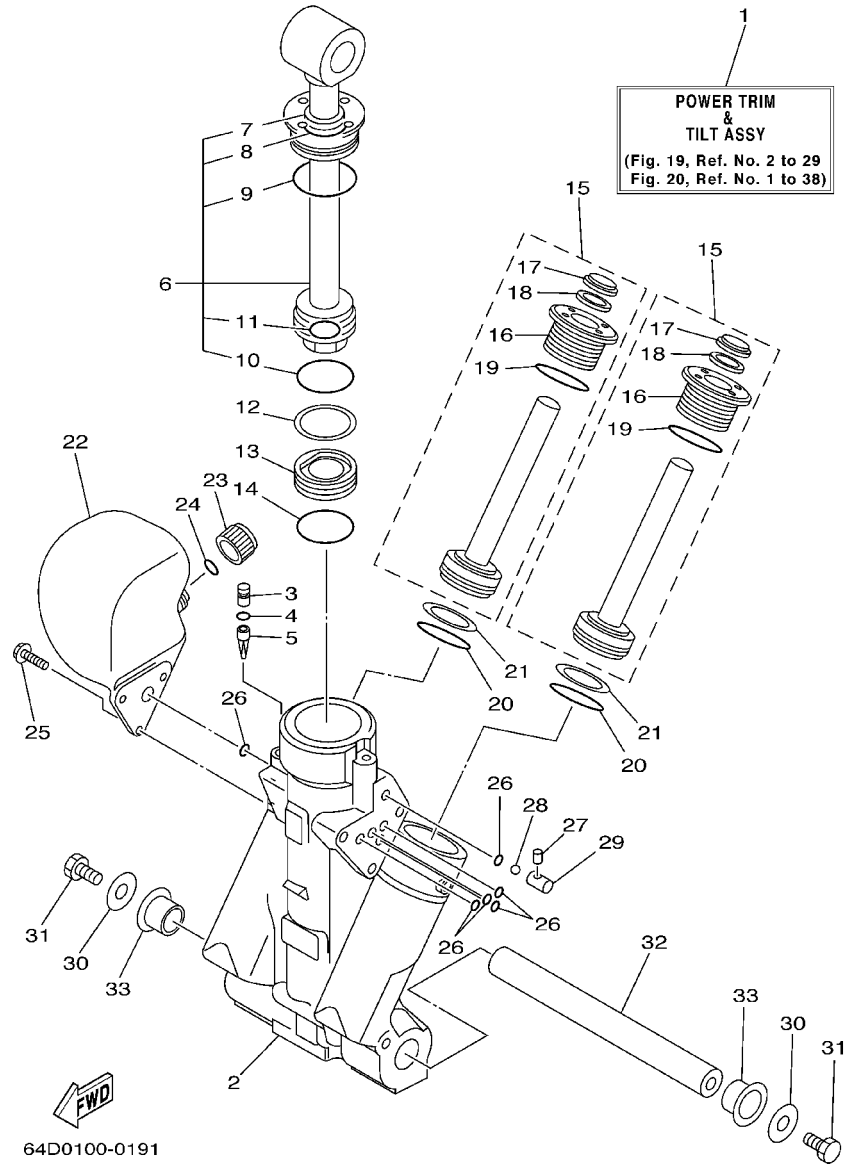
SUPPORT 2



**FWD**  
64D0010-7170

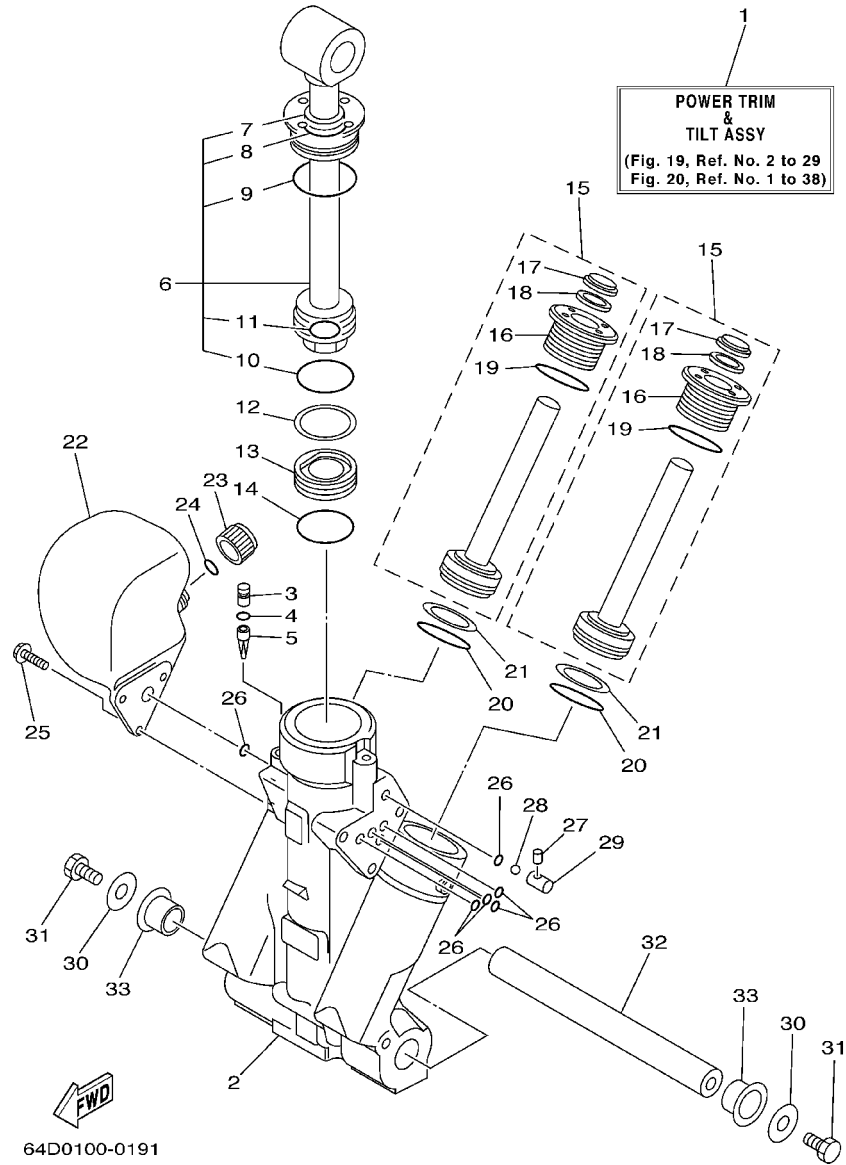
REF. NO.	PART NO. NO. PIECES	DESCRIPTION DESCRIPTION	115C	130B	REMARKS REMARQUES
28	90501-16M28	SPRING, COMPRESSION RESSORT, COMPRESSION	4	4	
29	97885-06016	SCREW, PAN HEAD VIS, A ENCOCHE	2	2	
30	90179-06066	NUT ECROU	2	2	
31	6E5-44514-00-94	MOUNT DAMPER, UPPER SIDE SILENT-BLOC, SUPERIEUR LATERAL	2	2	
32	90201-26M57	WASHER, PLATE RONDELLE, PLATE	2	2	
33	90202-26M18	WASHER, PLATE RONDELLE, PLATE	2	2	
34	90201-14M56	WASHER, PLATE RONDELLE, PLATE	2	2	
35	90109-12M37	BOLT BOULON	2	2	
36	90185-12M12	NUT, SELF-LOCKING ECROU, AUTO-BLOCANT	2	2	
37	663-44575-00	DAMPER, LOWER MOUNT RUBBER SILENT-BLOC, INFERIEUR	2	2	
38	6E5-44511-00-5B	COVER, UPPER MOUNT COUVERCLE, SUSPENSION SUPERIEUR	1	1	
39	97095-10045	BOLT BOULON	3	3	
40	92995-10100	WASHER RONDELLE	3	3	

FIG. 19 POWER TRIM & TILT ASSY 1 PUISSANCE PARER ET INCLINER 1



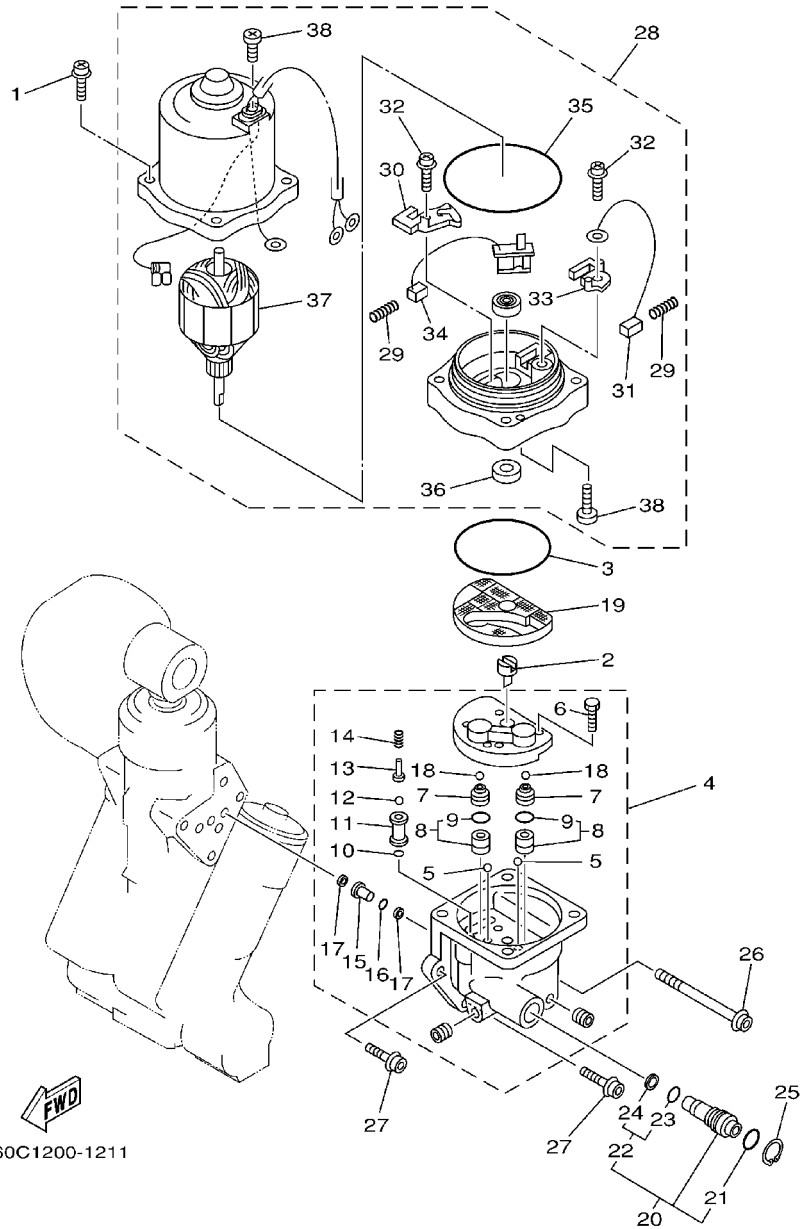
REF. NO.	PART NO. NO. PIECES	DESCRIPTION DESCRIPTION	115C	130B	REMARKS REMARQUES
1	64E-43800-02-4D	POWER TRIM & TILT ASSY PUISSANCE PARER ET INCLINER (E	1	1	
2	64E-43825-01	HOUSING, TRIM & TILT CARTER	1	1	
3	64E-4388J-00	PLUG 2 BOUCHON 2	1	1	
4	93210-10M74	O-RING JOINT TORIQUE	1	1	
5	64E-43817-00	FILTER 2 FILTRE 2	1	1	
6	64E-43810-00	TILT PISTON SUB ASSY INCLINER PISTON AUXILIAIRE(ENS	1	1	
7	64E-43898-00	.SEAL ,DUST 2 .JOINT ANTI-PUSSIERE	1	1	
8	64E-43867-00	.O-RING .JOINT TORIQUE	1	1	
9	64E-43866-00	.O-RING .JOINT TORIQUE	1	1	
10	6E5-43862-00	.O-RING .JOINT TORIQUE	1	1	
11	64E-43883-00	.O-RING .JOINT TORIQUE	1	1	
12	6E5-43872-00	RING, BACK UP RESSORT	1	1	
13	6E5-43814-02	PISTON, FREE PISTON	1	1	
14	6E5-43862-00	O-RING JOINT TORIQUE	1	1	
15	64E-43820-00	TRIM PISTON SUB ASSY PARER PISTON AUXILIAIRE (ENS.)	2	2	
16	64E-43821-00	.SCREW, TRIM CYLINDER END .VIS	1	1	
17	64E-43822-00	.SEAL, TRIM DUST .JOINT	1	1	
18	64E-4384J-00	.SEAL, TRIM DOWN .JOINT	1	1	
19	6G5-43864-00	.O-RING .JOINT TORIQUE	1	1	
20	6E5-43864-00	O-RING JOINT TORIQUE	2	2	
21	6E5-43874-01	RING, BACK UP RESSORT	2	2	
22	64E-43828-00	BODY, RESERVOIR CORPS	1	1	
23	64E-43829-00	PLUG, RESERVOIR BOUCHON	1	1	
24	64E-43897-00	O-RING JOINT TORIQUE	1	1	
25	64E-4388E-00	BOLT ,SCREW (L:14MM) VIS (L:14MM)	3	3	
26	64E-43869-00	O-RING JOINT TORIQUE	6	6	
27	64E-4381G-00	PIN COUPILL	1	1	

FIG. 19 POWER TRIM & TILT ASSY 1 PUISSANCE PARER ET INCLINER 1



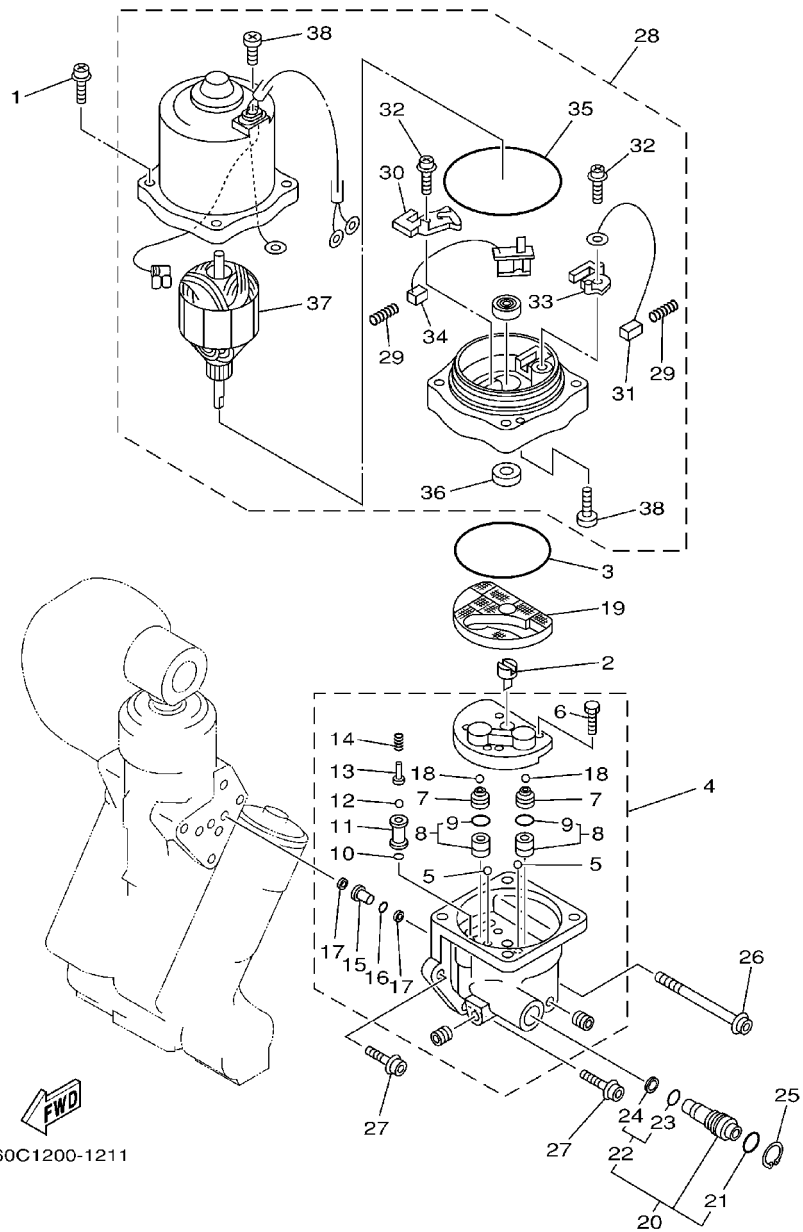
REF. NO.	PART NO. NO. PIECES	DESCRIPTION DESCRIPTION	115C	130B	REMARKS REMARQUES
28	6E5-43858-00	BALL BILLE	1	1	
29	64E-4382G-00	VALVE, SEAT JEU DE POINTEAUX	1	1	
30	90201-08M14	WASHER, PLATE RONDELLE, PLATE	2	2	
31	97080-08016	BOLT BOULON	2	2	
32	64E-43818-01	PIN, LOWER SHOCK MOUNT AXE, INFERIEUR AMORTISSEUR	1	1	
33	90386-22M98	BUSH DOUILLE	2	2	
-----					
-----					
-----					
-----					
-----					
-----					
-----					
-----					
-----					
-----					

FIG. 20 POWER TRIM & TILT ASSY 2 PUISSANCE PARER ET INCLINER 2



REF. NO.	PART NO. NO. PIECES	DESCRIPTION DESCRIPTION	115C	130B	REMARKS REMARQUES
1	64E-4388E-10	BOLT ,SCREW (L:34.7MM) .VIS (L:34.7MM)	4	4	
2	64E-43831-00	CONNECTOR, SHAFT RACCORD	1	1	
3	64E-43868-00	O-RING JOINT TORIQUE	1	1	
4	64E-43830-00	GEAR PUMP ASSY POMPE A PIGNON (ENS.)	1	1	
5	72X-43858-00	.BALL .BILLE	2	2	
6	64E-43843-00	.SCREW, VALVE LOCK .VIS	4	4	
7	64E-43841-00	.PISTON, SHUTTLE .PISTON	2	2	
8	64E-43802-00	.VALVE SUB ASSY .CLAPET AUXILIAIRE (ENS.)	2	2	
9	6E5-43896-00	..O-RING ..JOINT TORIQUE	1	1	
10	6G5-43863-00	.O-RING ..JOINT TORIQUE	1	1	
11	64E-43851-00	.SEAT, RELIEF VALVE .SIEGE	1	1	
12	64E-43858-00	BALL .BILLE	1	1	
13	64E-43859-00	.PIN, VALVE SUPPORT .GOUPILLE	1	1	
14	64E-43855-00	.SPRING, UP RELIEF .RESSORT	1	1	
15	64E-43850-00	.VALVE SUB ASSY .CLAPET AUXILIAIRE (ENS.)	1	1	
16	64E-43865-00	.O-RING ..JOINT TORIQUE	1	1	
17	64E-43816-00	.FILTER 1 .FILTRE 1	2	2	
18	64E-43858-00	.BALL .BILLE	2	2	
19	64E-43817-10	FILTER 2 FILTRE 2	1	1	
20	64E-43860-00	MANUAL VALVE SUB-ASSY SOUPAPE, MANUEL (ENS.)	1	1	
21	72X-85075-L0	.O-RING ..JOINT TORIQUE	1	1	
22	64E-43827-00	.RING SET .BILLE	1	1	
23	64E-4387A-00	..O-RING ..JOINT TORIQUE	1	1	
24	64E-43873-00	..RING, BACK UP ..RESSORT	1	1	
25	64E-43875-00	RING, SNAP RESSORT	1	1	
26	64E-43879-10	SCREW, WITH WASHER VIS, AVEC RONDELLE	1	1	
27	64E-43879-00	SCREW, WITH WASHER VIS, AVEC RONDELLE	2	2	

FIG. 20 POWER TRIM & TILT ASSY 2 PUISSANCE PARER ET INCLINER 2

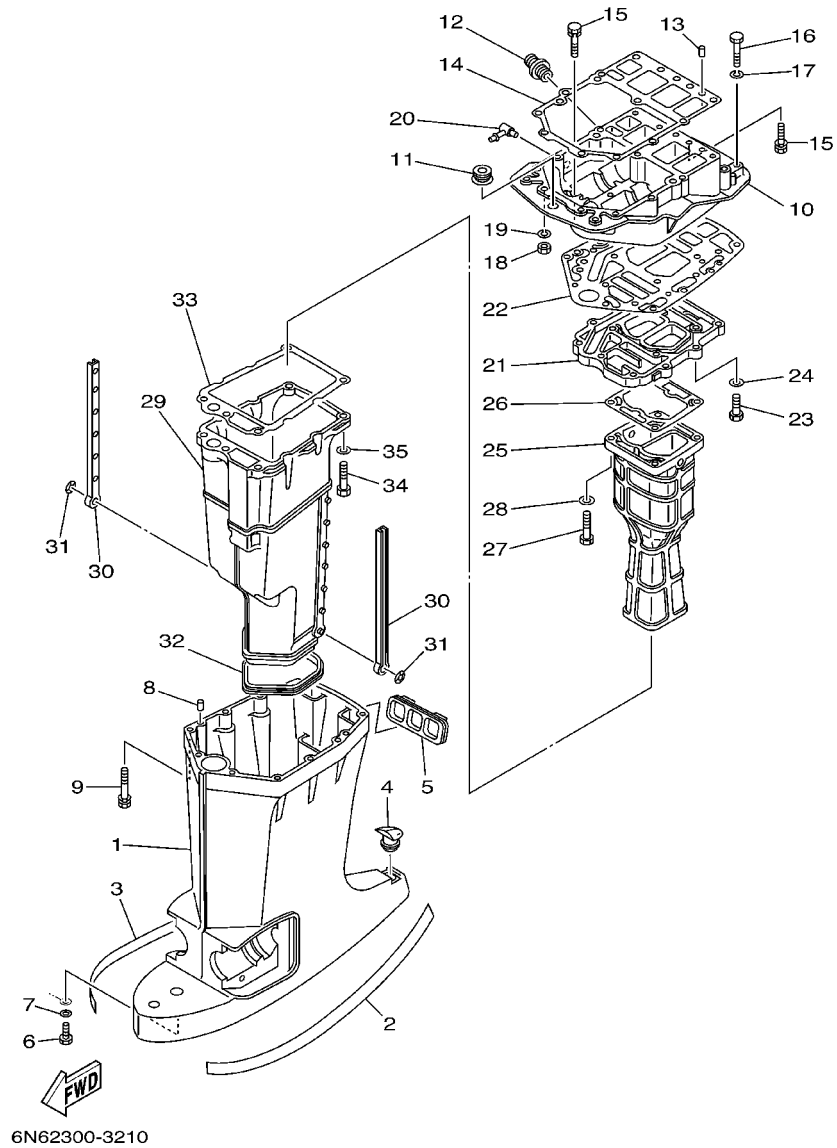


60C1200-1211

REF. NO.	PART NO. NO. PIECES	DESCRIPTION DESCRIPTION	115C	130B			REMARKS REMARQUES
28	64E-43880-01	MOTOR ASSY MOTEUR (ENS.)	1	1			
29	6H1-4386K-10	.SPRING, BRUSH .RESSORT, BALAI	2	2			
30	64E-4380J-00	.HOLDER, BRUSH .PORTE-BALAI	1	1			
31	64E-43891-00	.BRUSH 1 .BALAI 1	1	1			
32	97607-04310	.SCREW, WITH WASHER .VIS HEXAGONAL	2	2			
33	64E-4380F-00	.HOLDER, BRUSH 2 .PORTE-BALAI 2	1	1			
34	64E-43892-00	.BRUSH 2 .BALAI 2	1	1			
35	6G5-43865-00	.O-RING .JOINT TORIQUE	1	1			
36	93102-08M43	.OIL SEAL .JOINT SPY	1	1			
37	64E-43805-00	.ARMATURE ASSY .INDUIT (ENS.)	1	1			
38	64E-43843-10	.SCREW, VALVE LOCK .VIS	3	3			

FIG. 21 UPPER CASING

FOURREAU

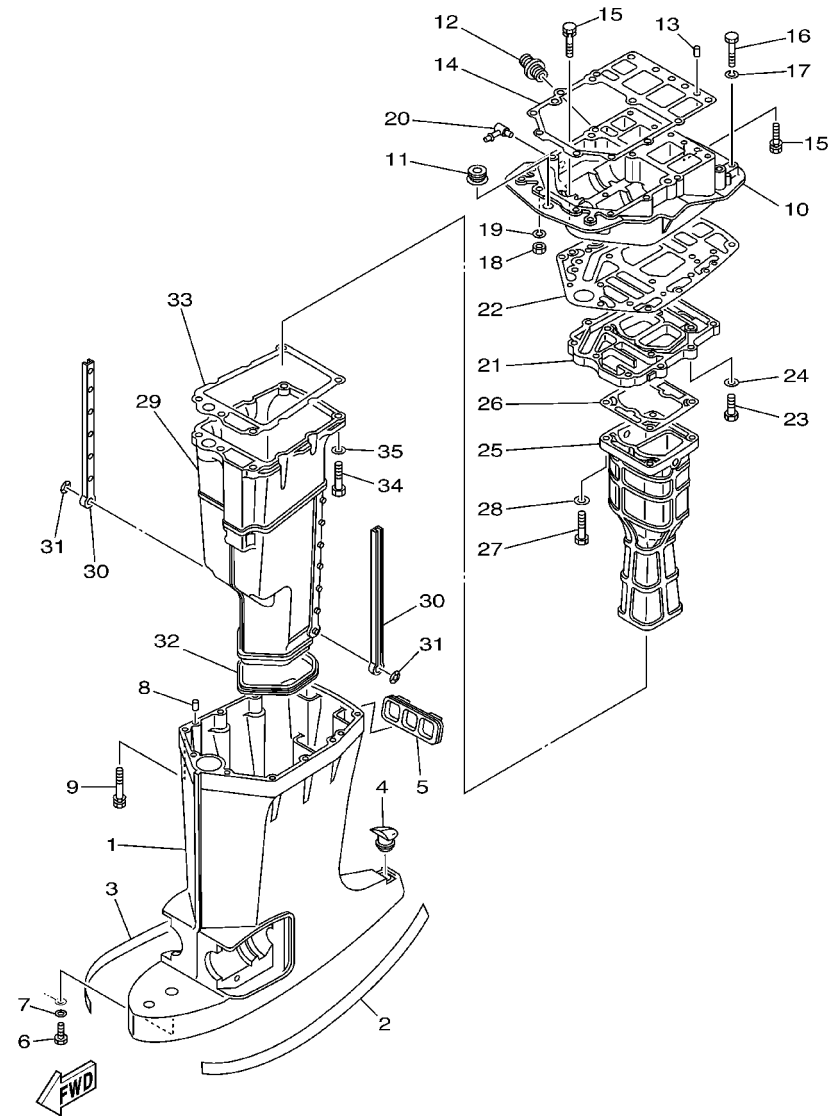


REF. NO.	PART NO. NO. PIECES	DESCRIPTION DESCRIPTION	115C	130B	REMARKS REMARQUES
1	6E5-45111-02-8D	CASING, UPPER FOURREAU	1	1	L
2	6R3-42791-41	MARK 1 ETIQUETTE 1	1	1	
3	6R3-42792-41	MARK ETIQUETTE	1	1	
4	6E5-45155-00	CAP CAPUCHON	1	1	
5	6E5-42769-00	SEAL, RUBBER BOURRELET, CAOUTCHOUC	1	1	
6	97095-06010	BOLT BOULON	1	1	
7	92995-06600	WASHER RONDELLE	1	1	
8	93608-12M05	PIN, DOWEL AXE	2	2	
9	90119-08027	BOLT, WITH WASHER BOULON, AVEC RONDELLE	6	6	
10	6G5-41137-11-94	GUIDE, EXHAUST COLLECTEUR D'ECHAPPEMENT	1	1	FLUSHING KIT
11	6E5-42724-00	GROMMET PASSE-FIL	1	1	
12	6G5-12581-00	JOINT, HOSE 1 JOINT DE TUYAU	1	1	
13	93608-12M05	PIN, DOWEL AXE	2	2	
14	6G5-45113-A1	GASKET, UPPER CASING JOINT, TUBE D'ARBRE	1	1	
15	90119-08M79	BOLT, WITH WASHER BOULON, AVEC RONDELLE	6	6	
16	97095-08045	BOLT BOULON	2	2	
17	92995-08100	WASHER RONDELLE	2	2	
18	95380-08700	NUT ECROU	2	2	
19	92995-08100	WASHER RONDELLE	2	2	
20	6H1-11372-00	NIPPLE, HOSE RACCORD, TUYAU	1	1	FLUSHING KIT
21	6G5-41131-01-5B	MANIFOLD, EXT. 1 PIPE D'ECHAPPEMENT	1	1	
22	6G5-45114-A1	GASKET, UPPER CASING JOINT, TUBE D'ARBRE	1	1	
23	97095-08030	BOLT BOULON	4	4	
24	92995-08600	WASHER RONDELLE	4	4	
25	6E5-41132-10-5B	MANIFOLD, EXHAUST PIPE D'ECHAPPEMENT	1		
26	6E5-41134-A0	GASKET, EXHAUST MANIFOLD JOINT, PIPE D'ECHAPPEMENT	1		



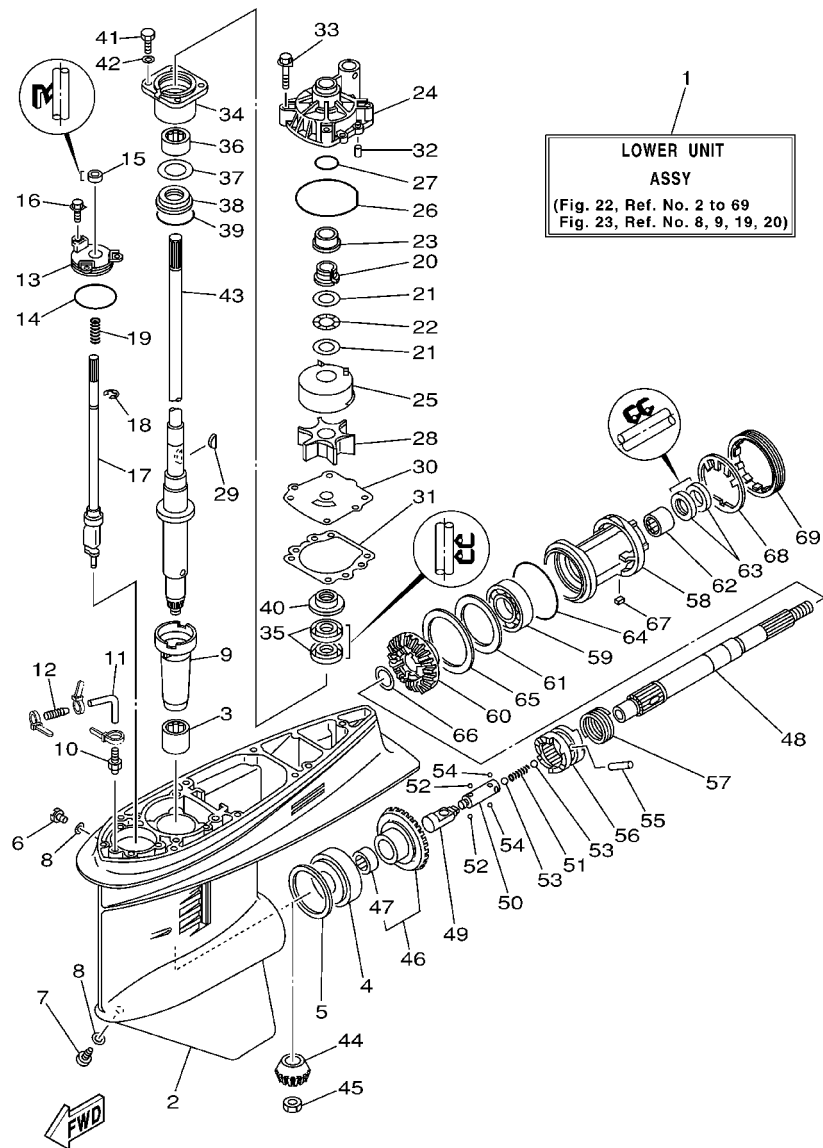
FIG. 21 UPPER CASING

FOURREAU



6N62300-3210

REF. NO.	PART NO. NO. PIECES	DESCRIPTION DESCRIPTION	115C	130B	REMARKS REMARQUES
26	6G5-41134-A1	GASKET, EXHAUST MANIFOLD JOINT, PIPE D'ECHAPPEMENT		1	
27	97095-08045	BOLT BOULON	4	4	
28	92995-08600	WASHER RONDELLE	4	4	
29	6E5-14711-01-5B	MUFFLER 1 POT D'ECHAPPEMENT 1	1	1	
30	6E5-14737-00	DAMPER, MUFFLER AMORTISSEUR DE POT D'ECHAPPT.	2	2	
31	90183-05M02	NUT, SPRING ECROU, RESSORT	2	2	
32	6E5-45123-00	GASKET, MUFFLER JOINT, POT DE DETENTE	1	1	
33	6E5-41135-A0	GASKET, EXHAUST MANIFOLD JOINT, PIPE D'ECHAPPEMENT	1	1	
34	97095-08045	BOLT BOULON	5	5	
35	92995-08600	WASHER RONDELLE	5	5	
-----					
-----					
-----					
-----					
-----					
-----					

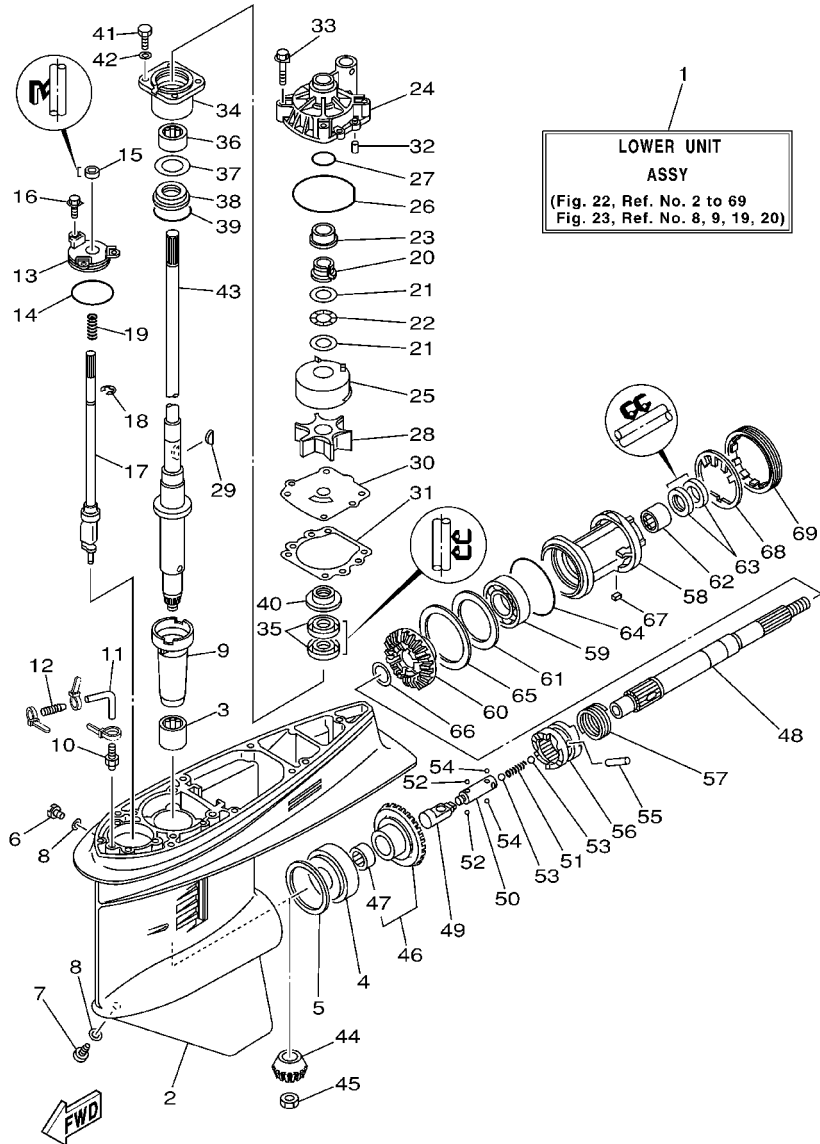


64W0171-0220

FIG. 22 LOWER CASING, DRIVE 1

BOITIER D'HELICE, TRANSMISSION 1

REF. NO.	PART NO. NO. PIECES	DESCRIPTION DESCRIPTION	115C	130B		REMARKS REMARQUES
1	6E5-45300-17-8D	LOWER UNIT ASSY UNITE INFERIEURE (ENS.)	1	1		L
2	6E5-45301-05-8D	CASING, LOWER BEQUILLE	1	1		
3	93315-628U9	BEARING ROULEMENT	1	1		
4	93332-000U7	BEARING ROULEMENT	1	1		
5	6E5-45567-01-10	SHIM (T:0.10MM) CALE (T:0.10MM)	1	1		UR
6E5-45567-01-12	SHIM (T:0.12MM) CALE (T:0.12MM)	1	1		UR	
6E5-45567-01-15	SHIM (T:0.15MM) CALE (T:0.15MM)	1	1		UR	
6E5-45567-01-18	SHIM (T:0.18MM) CALE (T:0.18MM)	1	1		UR	
6E5-45567-01-30	SHIM (T:0.30MM) CALE (T:0.30MM)	1	1		UR	
6E5-45567-01-40	SHIM (T:0.40MM) CALE (T:0.40MM)	1	1		UR	
6E5-45567-01-50	SHIM (T:0.50MM) CALE (T:0.50MM)	1	1		UR	
6	90340-08002	PLUG, STRAIGHT SCREW PLOT, FILETE DROIT	1	1		
7	688-45341-10	PLUG, DRAIN BOUCHON DE VIDANGE	1	1		
8	90430-08020	GASKET JOINT	2	2		
9	6E5-45536-00	SLEEVE, DRIVE SHAFT MANCHON, ARBRE MOTEUR	1	1		
10	6E5-45378-00	NIPPLE, HOSE RACCORD, TUYAU	1	1		
11	90445-07ME8	HOSE (L80) DURITE (L80)	1	1		L
12	6E5-83558-10	END, NIPPLE RACCORD DE NIPPLE	1	1		
13	6E5-45321-00	PLATE PLAQUETTE	1	1		
14	93210-58144	O-RING JOINT TORIQUE	1	1		
15	93106-09014	OIL SEAL JOINT SPY	1	1		
16	90119-06M10	BOLT, WITH WASHER BOULON, AVEC RONDELLE	3	3		
17	6E5-44150-02	SHIFT CAM ASSY CAME D'INVERSION	1	1		
18	99001-08600	CIRCLIP CIRCLIP	1	1		
19	90501-11M10	SPRING, COMPRESSION RESSORT, COMPRESSION	1	1		
20	61A-45538-00	SPACER 1 ENTRETOISE	1	1		
21	90201-22M01	WASHER, PLATE RONDELLE, PLATE	2	2		

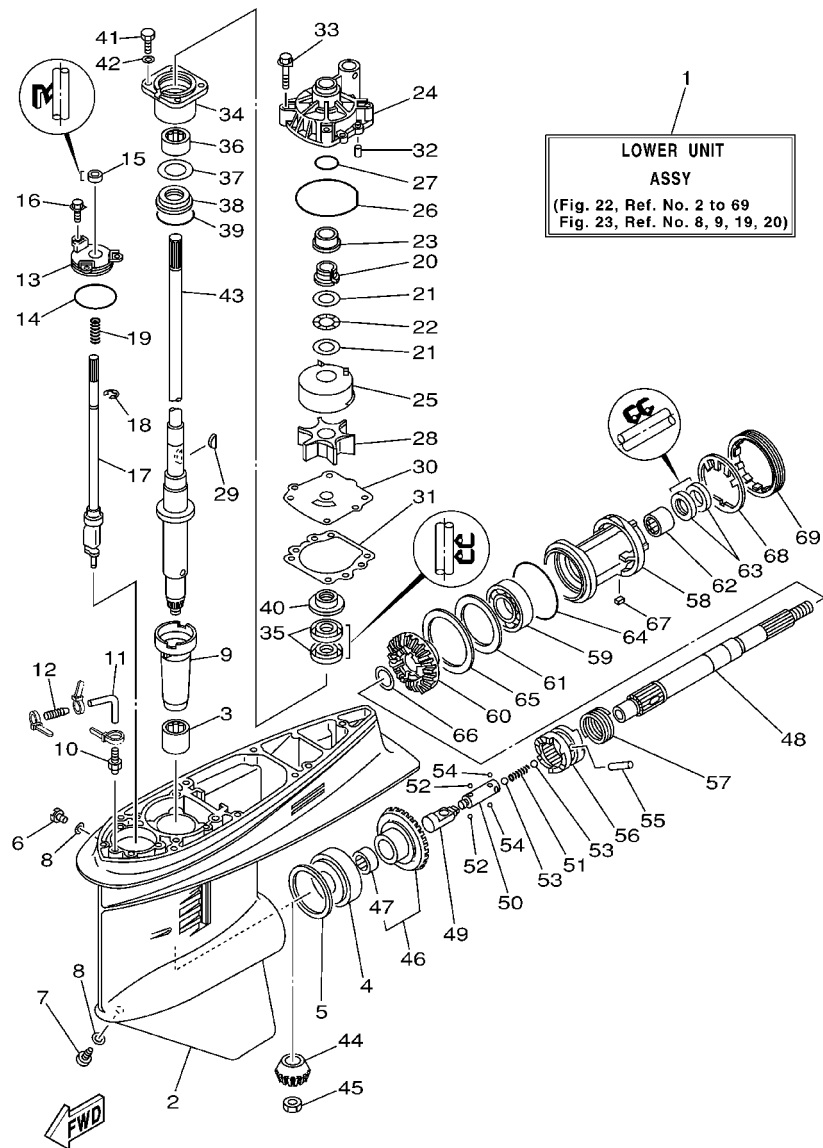


64W0171-0220

FIG. 22 LOWER CASING. DRIVE 1

BOITIER D'HELICE, TRANSMISSION 1

REF. NO.	PART NO. NO. PIECES	DESCRIPTION DESCRIPTION	115C	130B	REMARKS REMARQUES
22	90206-22M19	WASHER, WAVE RONDELLE, ONDULEE	1	1	
23	61A-45527-00	COLLAR, DRIVE SHAFT ENTRETOISE	1	1	
24	61A-44311-01	HOUSING, WATER PUMP CORPS, POMPE A EAU	1	1	
25	61A-44322-02	INSERT, CARTRIDGE CUVETTE	1	1	
26	93210-86M38	O-RING JOINT TORIQUE	1	1	
27	93210-37160	O-RING JOINT TORIQUE	1	1	
28	6E5-44352-01	IMPELLER TURBINE	1	1	
29	90280-04M05	KEY, WOODRUFF CLAVETTE, DEMI-LUNE	1	1	
30	6E5-44323-00	OUTER PLATE, CARTRIDGE PLAQUE EXTERIEURE	1	1	
31	6E5-44315-A0	GASKET, WATER PUMP JOINT, POMPE A EAU	1	1	
32	93606-12019	PIN, DOWEL GOUPILLE	2	2	
33	90119-08M14	BOLT, WITH WASHER BOULON, AVEC RONDELLE	4	4	
34	6E5-45331-00-94	HOUSING, BEARING FLASQUE, ROULEMENT	1	1	
35	93101-28M16	OIL SEAL JOINT SPY	2	2	
36	93317-330U2	BEARING PIECE	1	1	
37	6E5-45587-01-10	SHIM (T:0.10MM) CALE (T:0.10MM)	1	1	UR
	6E5-45587-01-12	SHIM (T:0.12MM) CALE (T:0.12MM)	1	1	UR
	6E5-45587-01-15	SHIM (T:0.15MM) CALE (T:0.15MM)	1	1	UR
	6E5-45587-01-18	SHIM (T:0.18MM) CALE (T:0.18MM)	1	1	UR
	6E5-45587-01-30	SHIM (T:0.30MM) CALE (T:0.30MM)	1	1	UR
	6E5-45587-01-40	SHIM (T:0.40MM) CALE (T:0.40MM)	1	1	UR
	6E5-45587-01-50	SHIM (T:0.50MM) CALE (T:0.50MM)	1	1	UR
38	93341-930V2	BEARING CERVEAUX DE DIRECTION	1	1	
39	93210-55M14	O-RING JOINT TORIQUE	1	1	
40	6E5-45344-00	COVER, OIL SEAL FLASQUE, JOINT D'HUILE	1	1	
41	97095-08025	BOLT BOULON	4	4	
42	92995-08600	WASHER RONDELLE	4	4	

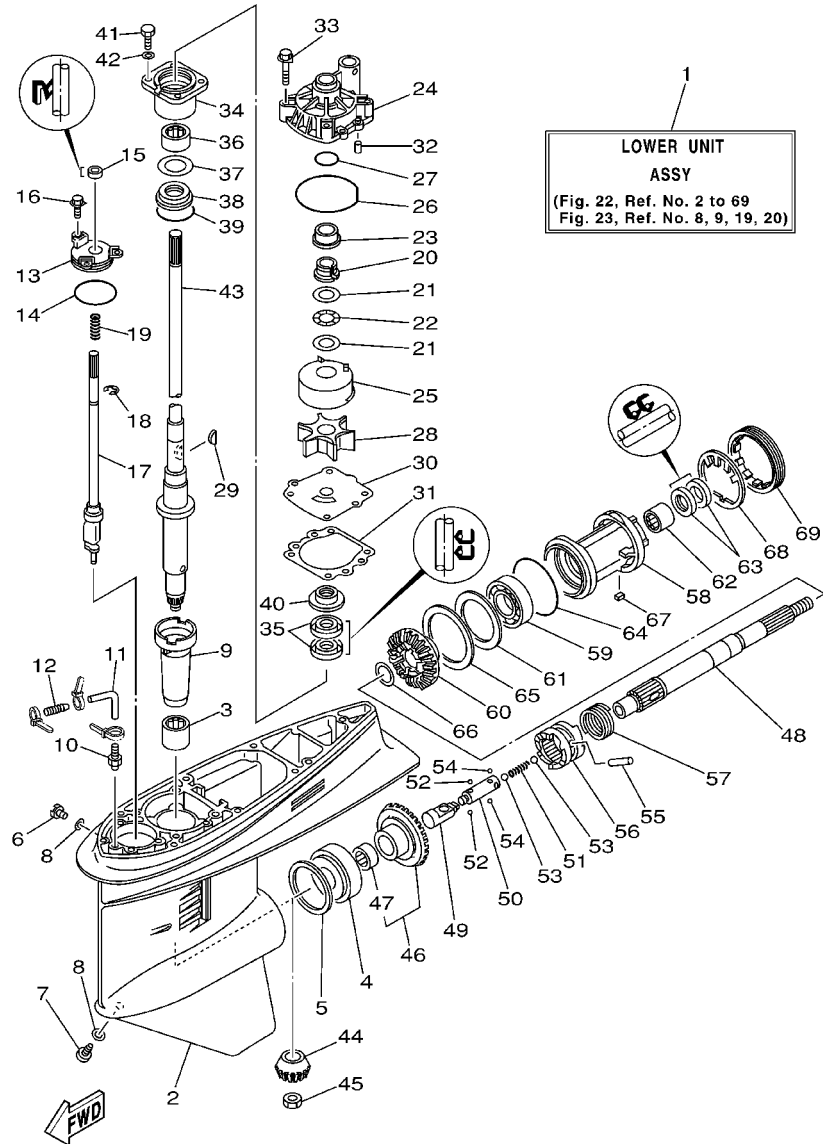


64W0171-0220

FIG. 22 LOWER CASING. DRIVE 1

BOITIER D'HELICE, TRANSMISSION 1

REF. NO.	PART NO. NO. PIECES	DESCRIPTION DESCRIPTION	115C	130B		REMARKS REMARQUES
43	6E5-45501-01	DRIVE SHAFT COMP. ARBRE MOTEUR COMP.	1	1		L
44	6E5-45551-02	PINION PIGNON D'ATTAQUE	1	1		
45	90170-16M01	NUT ECROU	1	1		
46	6E5-45560-01	GEAR PIGNON	1	1		
47	93315-425U7	.BEARING .ROULEMENT	1	1		
48	6E5-45611-01	SHAFT, PROPELLER ARBRE, HELICE	1	1		
49	6E5-45641-02	SHIFTER EMBAYAGE	1	1		
50	6E5-45634-01	SLIDE, SHIFT CONTRE-POUSSOIR	1	1		
51	90501-16M37	SPRING, COMPRESSION RESSORT, COMPRESSION	1	1		
52	93507-32009	BALL BILLE	2	2		
53	93511-32017	BALL BILLES	2	2		
54	93503-16003	BALL BILLES	2	2		
55	90250-08M07	PIN, STRAIGHT GOUPILLE, DROITE	1	1		
56	6E5-45631-01	CLUTCH, DOG CRABOT	1	1		
57	6E5-45633-01	RING, CROSS PIN JONC, GOUPILLE CRABOT	1	1		
58	6E5-45332-00-94	HOUSING, BEARING FLASQUE, ROULEMENT	1	1		
59	93306-208U0	BEARING ROULEMENT	1	1		
60	6E5-45571-01	GEAR PIGNON	1	1		
61	6E5-45576-00	WASHER, THRUST RONDELLE DE CALAGE	1	1		
62	93315-430U8	BEARING ROULEMENT	1	1		
63	93101-30M17	OIL SEAL JOINT SPY	2	2		
64	93210-86M39	O-RING JOINT TORIQUE	1	1		
65	6L6-45577-00-10	SHIM (T:0.10MM) CALE (T:0.10MM)	1	1		UR
	6L6-45577-00-12	SHIM (T:0.12MM) CALE (T:0.12MM)	1	1		UR
	6L6-45577-00-15	SHIM (T:0.15MM) CALE (T:0.15MM)	1	1		UR
	6L6-45577-00-18	SHIM (T:0.18MM) CALE (T:0.18MM)	1	1		UR
	6L6-45577-00-30	SHIM (T:0.30MM) CALE (T:0.30MM)	1	1		UR



64W0171-0220

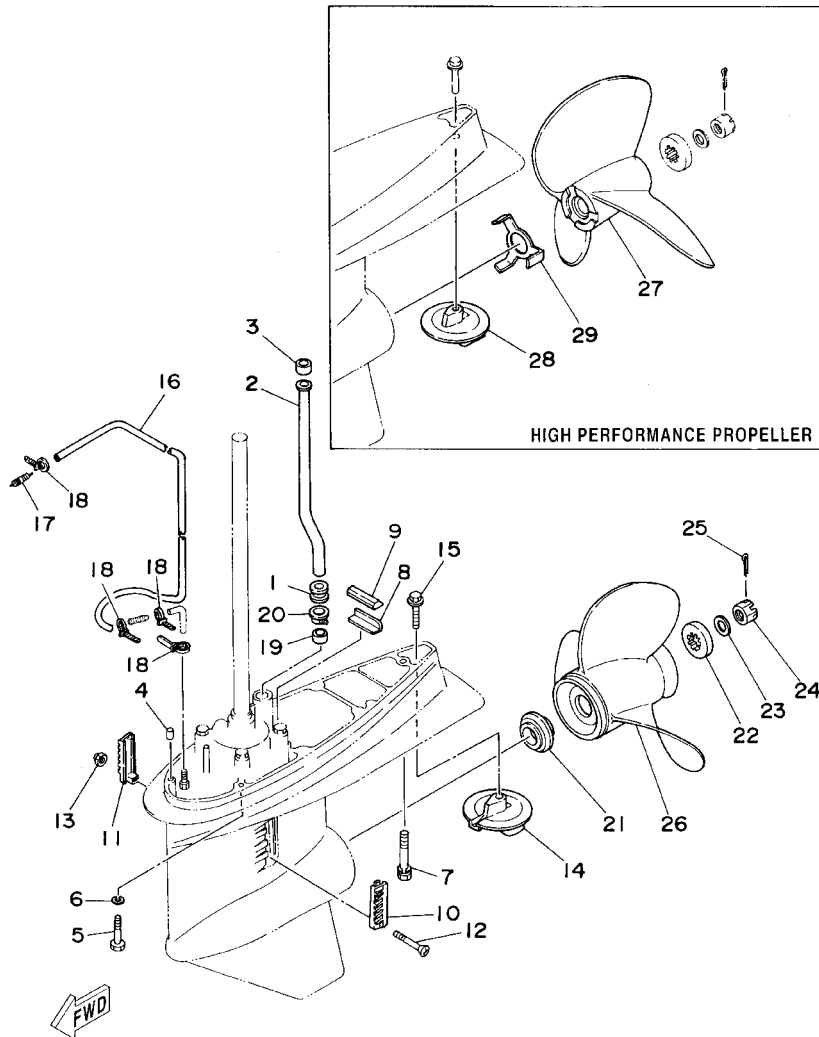
FIG. 22 LOWER CASING. DRIVE 1

BOITIER D'HELICE, TRANSMISSION 1

REF. NO.	PART NO. NO. PIECES	DESCRIPTION DESCRIPTION	115C	130B		REMARKS REMARQUES
65	6L6-45577-00-40	SHIM (T:0.40MM)	1	1		UR
	6L6-45577-00-50	CALE (T:0.40MM)				
	6L6-45577-00-50	SHIM (T:0.50MM)	1	1		UR
	6L6-45577-00-50	CALE (T:0.50MM)				
66	90201-30M92	WASHER, PLATE	1	1		
		RONDELLE, PLATE				
67	90282-04010	KEY, STRAIGHT	1	1		
		CLAVETTE, DROITE				
68	688-45383-02	WASHER, CLAW	1	1		
		FREIN D'ECROU				
69	688-45384-00	NUT	1	1		
		ECROU				

FIG. 23 LOWER CASING. DRIVE 2

BOITIER D'HELICE, TRANSMISSION 2

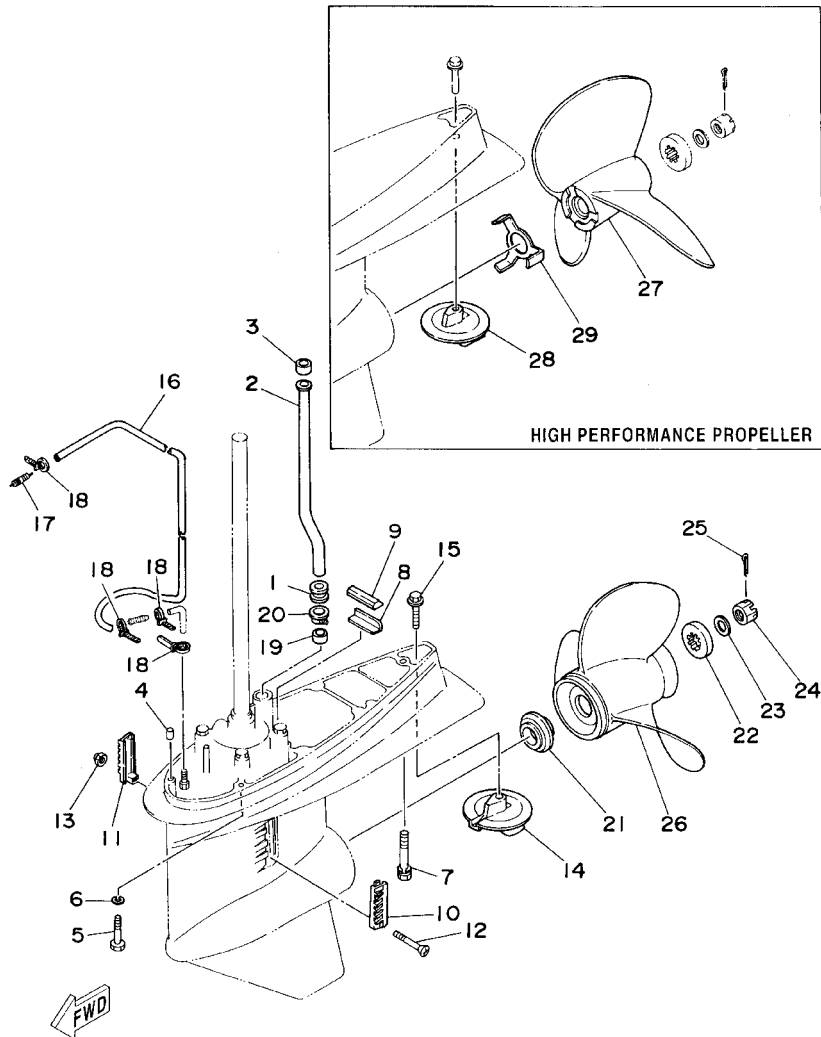


6N60010-4220

REF. NO.	PART NO. NO. PIECES	DESCRIPTION DESCRIPTION	115C	130B	REMARKS REMARQUES
1	6E5-44366-00	DAMPER, WATER SEAL JOINT, TUBE D'EAU	1	1	
2	6E5-44361-00	TUBE, WATER TUBE D'EAU	1	1	L
3	6E5-44365-00	DAMPER, WATER SEAL JOINT, TUBE D'EAU	1	1	
4	93608-12M05	PIN, DOWEL AXE	2	2	
5	97075-10045	BOLT BOULON	6	6	
6	92995-10100	WASHER RONDELLE	6	6	
7	90119-10M89	BOLT, WITH WASHER BOULON, AVEC RONDELLE	1	1	
8	663-45376-00-94	GUIDE, SEAL DAMPER BUTEE, JOINT CAOUTCHOUC	1	1	
9	688-45375-00	DAMPER, SEAL BOURRELET, CAOUTCHOUC	1	1	
10	688-45214-02	COVER, WATER INLET GRILLE, ENTREE D'EAU	1	1	
11	688-45215-02	COVER, WATER INLET GRILLE, ENTREE D'EAU	1	1	
12	90152-05M07	SCREW, COUNTERSUNK VIS, TETE NOYEE	1	1	
13	90185-05002	NUT, SELF-LOCKING ECROU, AUTO-BLOCANT	1	1	
14	6E5-45371-01	TAB-TRIM ANODE DERIVE	1	1	
15	90105-10M00	BOLT, FLANGE BOULON	1	1	
16	90445-07MF0	HOSE (L1030) DURITE (L1030)	1	1	
17	6E5-83558-00	END, NIPPLE RACCORD DE NIPPLE	1	1	
18	90465-11M10	CLAMP BRIDE	4	4	
19	6E5-44365-00	DAMPER, WATER SEAL JOINT, TUBE D'EAU	1	1	
20	6E5-44312-00	COVER, WATER PUMP HOUSING COUVERCLE	1	1	
21	6E5-45987-01	SPACER ENTRETOISE	1	1	
22	688-45997-01	SPACER ENTRETOISE	1	1	
23	92990-18200	WASHER RONDELLE, PLATE	1	1	
24	90171-18M04	NUT, CASTLE ECROU, CRENELE	1	1	
25	91490-40030	PIN, COTTER GOUPILLE	1	1	
26	6E5-45941-00-EL	PROPELLER (3X13"X19"-K) HELICE (3X13"X19"-K)	1	1	UR
	6E5-45943-00-EL	PROPELLER (3X12-5/8"X21"-K) HELICE (3X12-5/8"X21"-K)	1	1	UR

FIG. 23 LOWER CASING. DRIVE 2

BOITIER D'HELICE, TRANSMISSION 2

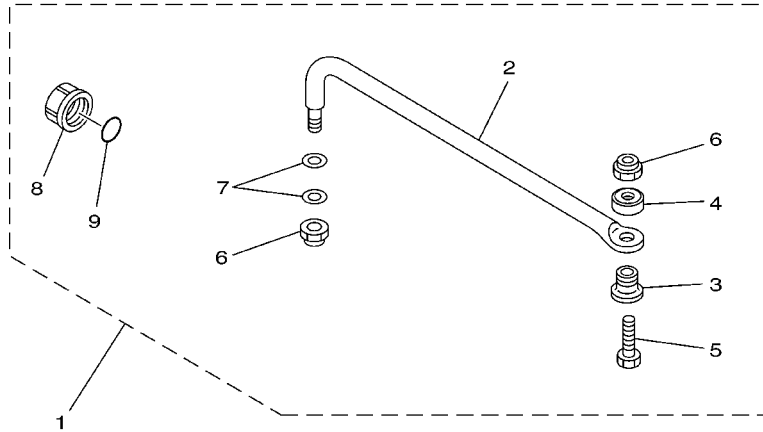


6N60010-4220

REF. NO.	PART NO. NO. PIECES	DESCRIPTION DESCRIPTION	115C	130B	REMARKS REMARQUES
26	6E5-45945-01-EL	PROPELLER (3X13-1/4"X17"-K) HELICE (3X13-1/4"X17"-K)	1	1	UR
	6E5-45947-00-EL	PROPELLER (3X13-1/2"X15"-K) HELICE (3X13-1/2"X15"-K)	1	1	UR
	6E5-45949-00-EL	PROPELLER (3X13-5/8"X13"-K) HELICE (3X13-5/8"X13"-K)	1	1	UR
	6E5-45952-00-EL	PROPELLER (3X13"X23"-K) HELICE (3X13"X23"-K)	1	1	UR
	6E5-45954-00-EL	PROPELLER (3X14"X11"-K) HELICE (3X14"X11"-K)	1	1	UR
	6E5-45956-00-EL	PROPELLER (3X13"X25"-K) HELICE (3X13"X25"-K)	1	1	UR
		<b>STAINLESS STEEL PROPELLER ACIER INOXYDABLE HELICE</b>			
	688-45930-02-98	PROPELLER (3X13"X17"-K) HELICE (3X13"X17"-K)	1	1	UR
	688-45932-60-98	PROPELLER (3X13-1/2"X14"-K) HELICE (3X13-1/2"X14"-K)	1	1	UR
	688-45970-03-98	PROPELLER (3X13"X19"-K) HELICE (3X13"X19"-K)	1	1	UR
	688-45972-02-98	PROPELLER (3X13"X21"-K) HELICE (3X13"X21"-K)	1	1	UR
	688-45974-02-98	PROPELLER (3X13"X23"-K) HELICE (3X13"X23"-K)	1	1	UR
	688-45976-01-98	PROPELLER (3X13"X25"-K) HELICE (3X13"X25"-K)	1	1	UR
	688-45978-60-98	PROPELLER (3X13-1/2"X16"-K) HELICE (3X13-1/2"X16"-K)	1	1	UR
		<b>HIGH PERFORMANCE PROPELLER HELICE RENDEMENT DE HAUTEUR</b>			
27	6E5-45970-10	PROPELLER (3X14"X20"-P) HELICE (3X14"X20"-P)	1	1	UR
	6E5-45972-10	PROPELLER (3X14"X24"-P) HELICE (3X14"X24"-P)	1	1	UR
	6E5-45974-10	PROPELLER (3X14"X28"-P) HELICE (3X14"X28"-P)	1	1	UR
	6E5-45976-10	PROPELLER (3X14"X22"-P) HELICE (3X14"X22"-P)	1	1	UR
	6E5-45978-10	PROPELLER (3X14"X26"-P) HELICE (3X14"X26"-P)	1	1	UR
28	6E5-45371-10	TAB-TRIM ANODE DERIVE	1	1	
29	6E5-45994-10	PLATE, TOOTH PLAQUETTE	1	1	

FIG. 24 STEERING GUIDE

FIXATION DE DIRECTION



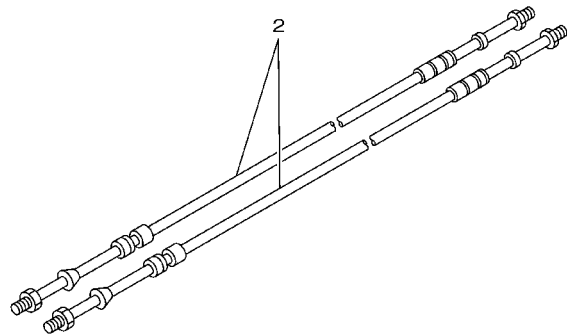
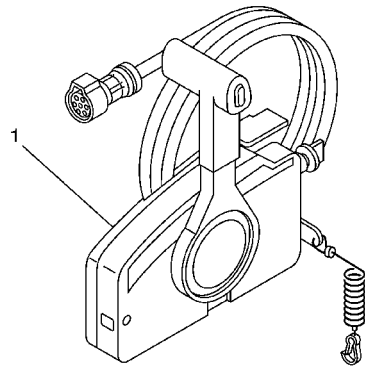
REF. NO.	PART NO. NO. PIECES	DESCRIPTION DESCRIPTION	115C	130B			REMARKS REMARQUES
1	6E5-61350-02	STEERING GUIDE ATTACHMENT KIT FIXATIONS DE DIRECTION	1	1			AP
2	6E5-61351-01	.ROD, STEERING LINK .REVOI DE DIRECTION	1	1			
3	90387-10M61	.COLLAR .COLLERETTE	1	1			
4	90560-12M01	.SPACER .ENTRETOISE	1	1			
5	6E5-61355-00	.BOLT .BOULON	1	1			
6	90185-09M01	.NUT, SELF-LOCKING .ECROU, AUTO-BLOCANT	2	2			
7	90201-10M20	.WASHER, PLATE .RONDELLE, PLATE	2	2			
8	6E5-43145-01	.CAP, CLAMP BRACKET .CAPUCHON, PRESSE	1	1			
9	93210-16275	.O-RING .JOINT TORIQUE	1	1			

67H0100-9290



FIG. 25 REMOTE CONTROL BOX

BOITIER DE COMMANDE A DISTANCE

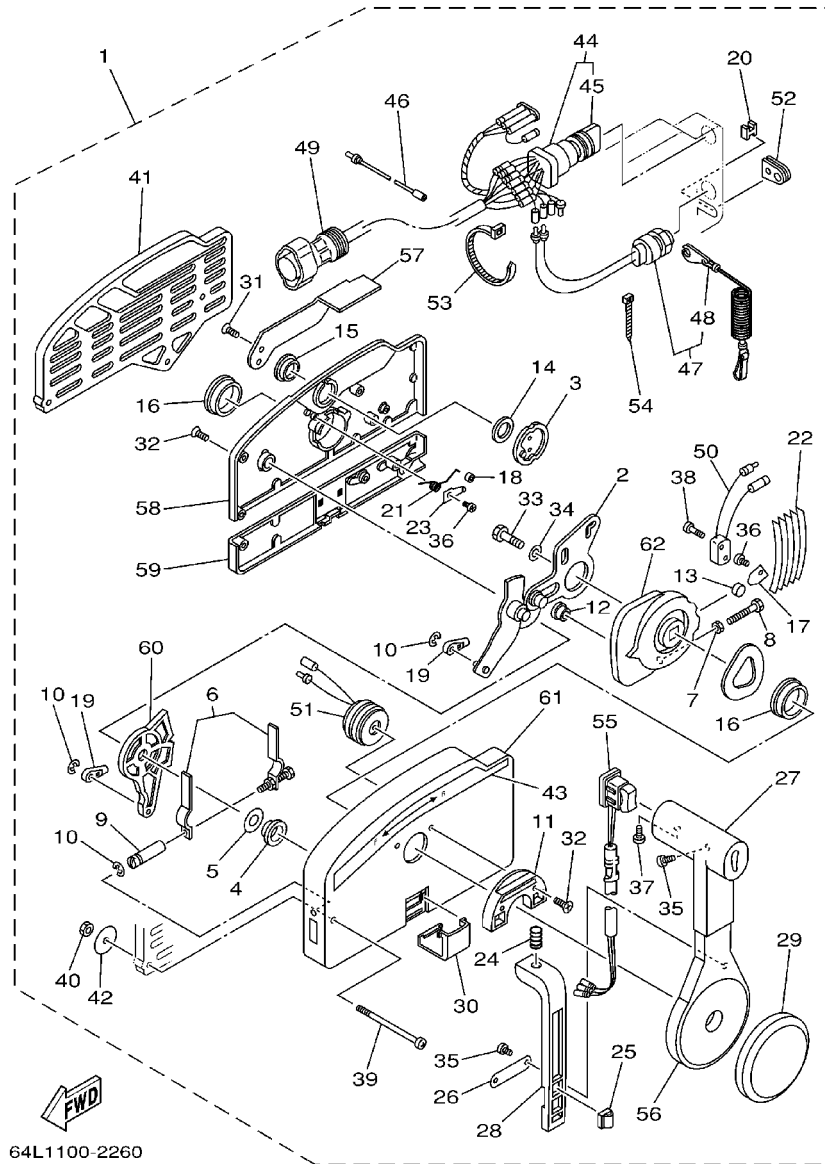


REF. NO.	PART NO. NO. PIECES	DESCRIPTION DESCRIPTION	115C	130B		REMARKS REMARQUES
1	703-48205-17	REMOTE CONTROL ASSY BOITIER DE COMMANDE A DISTANCE	1	1		AP WITH PT/T SW.
2	701-48320-00	CABLE, REMOTE CONTROL L=12F CABLE, COMMANDE A DISTANCE:12F	2	2		UR
	701-48320-50	CABLE, REMOTE CONTROL L=15F CABLE, COMMANDE A DISTANCE:15F	2	2		UR
	701-48320-60	CABLE, REMOTE CONTROL L=16F CABLE, COMMANDE A DISTANCE:16F	2	2		UR
	701-48320-80	CABLE, REMOTE CONTROL L=17F CABLE, COMMANDE A DISTANCE:17F	2	2		UR
	701-48350-00	CABLE, REMOTE CONTROL L=21F CABLE, COMMANDE A DISTANCE:21F	2	2		UR
	701-48350-20	CABLE, REMOTE CONTROL L=23F CABLE, COMMANDE A DISTANCE:23F	2	2		UR

 67M0100-8280

FIG. 26 REMOTE CONTROL ASSY

BOITIER DE COMMANDE A DISTANCE

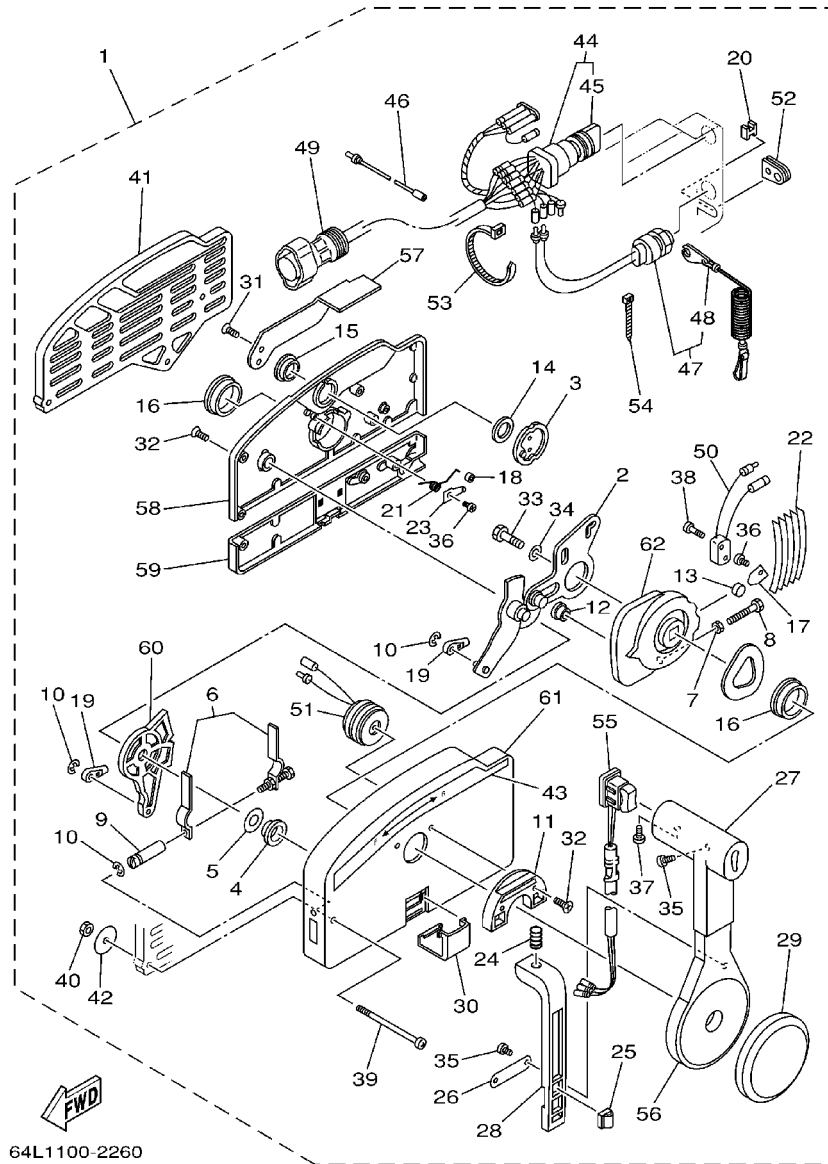


64L1100-2260

REF. NO.	PART NO. NO. PIECES	DESCRIPTION DESCRIPTION	115C	130B	REMARKS REMARQUES
1	703-48205-17	REMOTE CONTROL ASSY BOITIER DE COMMANDE A DISTANCE	1	1	AP WITH PT/T SW.
2	703-48261-01	.ARM, THROTTLE .BRAS, ACCELERATION	1	1	
3	703-48153-00	.SHAFT, FREE ACCEL. .AXE	1	1	
4	703-48235-00	.BUSHING .COUSSINET	1	1	
5	703-48268-00	.SPACER .ENTRETOISE	1	1	
6	703-48264-00	.THROTTLE, FRICTION .ACCELERATION	1	1	
7	95380-05600	.NUT .ECROU	1	1	
8	97380-05025	.BOLT .BOULON, HEXAGONAL	1	1	
9	703-48265-00	.SHAFT, FRICTION .AXE, COPILOTE	1	1	
10	93430-06024	.CIRCLIP .CLIPS	3	3	
11	703-48245-00	.PLATE, LOCK .PLAQUE, VERROU	1	1	
12	703-48252-00	.ROLLER, CAM .POULIE	1	1	
13	701-48248-00	.ROLLER, FREE ACCEL. .POULIE	1	1	
14	703-48198-00	.WASHER, WAVE .RONDELLE, ELASTIQUE ONDULEE	1	1	
15	703-48243-00	.BUSHING .COUSSINET	1	1	
16	703-48236-00	.BUSHING 1 .POULIE	2	2	
17	703-48189-00	.RETAINER .FLASQUE	1	1	
18	703-48234-00	.ROLLER, DETENT .POULIE	1	1	
19	703-48345-01	.CABLE END, REMOTE CONTROL 2 .CHAPE CABLE	2	2	
20	703-48358-00	.ANCHOR, CABLE .COLLIER	1	1	
21	703-48244-00	.SPRING, FREE ACCEL. .RESSORT	1	1	
22	703-48238-00	.SPRING, DETENT .RESSORT	5	5	
23	703-48246-00	.SPACER .ENTRETOISE	1	1	
24	703-48227-00	.SPRING, NEUTRAL LOCK .RESSORT	1	1	
25	703-82594-00	.CLAMP .BRIDE	1	1	WITH PT/T SW.
26	703-48226-00	.PLATE, STOPPER .PLAQUETTE	1	1	
27	703-48222-00	.GRIP, CONTROL LEVER .POIGNEE, COMMANDE LEVIER	1	1	SINGLE

FIG. 26 REMOTE CONTROL ASSY

BOITIER DE COMMANDE A DISTANCE

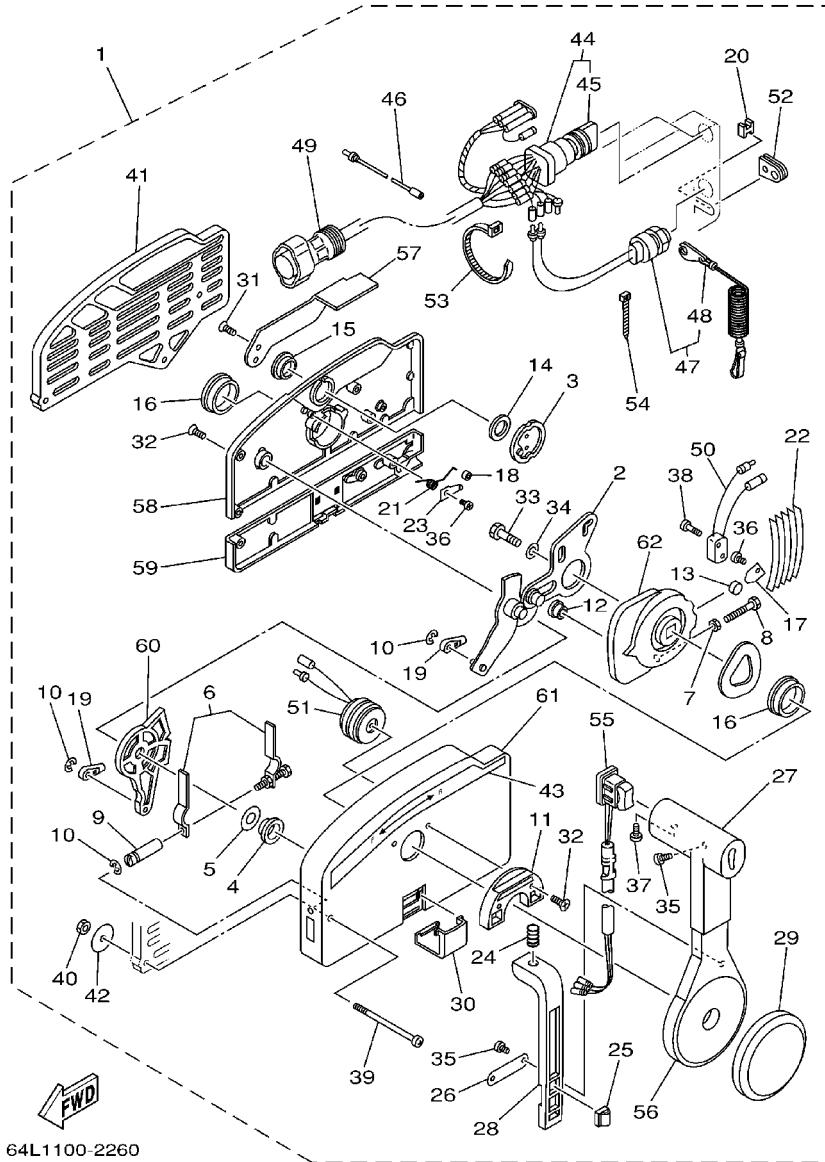


64L1100-2260

REF. NO.	PART NO. NO. PIECES	DESCRIPTION DESCRIPTION	115C	130B	REMARKS REMARQUES
28	703-48223-00	.LOCK, NEUTRAL .VERROU, NEUTRAL	1	1	
29	703-48225-00	.COVER .COUVERCLE	1	1	
30	703-48219-00	.COVER, LEAD .COUVERCLE	1	1	
31	703-48281-00	.SCREW .VIS	2	2	
32	703-48282-00	.SCREW .VIS	7	7	
33	97380-08030	.BOLT .BOULON, HEXAGONAL	1	1	
34	92990-08600	.WASHER, PLATE .RONDELLE, PLATE	1	1	
35	98580-04010	.SCREW, PAN HEAD .VIS	3	3	
36	98580-04006	.SCREW, PAN HEAD .VIS	2	2	
37	98580-05010	.SCREW, PAN HEAD .VIS	1	1	
38	98580-03015	.SCREW, PAN HEAD .VIS	2	2	
39	703-48291-10	.SCREW (M6) .VIS (M6)	3	3	
40	95380-06600	.NUT, HEXAGON .ECROU	3	3	
41	703-48293-10	.SPACER, REMOTE CONTROL .ENTRETOISE	1	1	SINGLE
42	701-48287-00	.WASHER .RONDELLE	3	3	
43	703-48215-00	.GRAPHIC .ADHESIF	1	1	
44	703-82510-43	.MAIN SWITCH ASSY .CONTACTEUR A CLEF COMPLET	1	1	
45	703-82577-00	.CAP, KEY .CABOCHON	1	1	
46	703-82531-00	.WIRE, LEAD .FIL	1	1	
47	688-82575-01	.ENGINE STOP SWITCH ASSY .COUPE CIRCUIT CPLT	1	1	
48	682-82556-00	.STOPPER .PLAQUETTE	1	1	
49	688-8258A-20	.EXTENSION, WIRE HARNESS .EXTENSION, FAISCEAU DE FILS	1	1	L:5M (10P)
50	703-82540-00	.NEUTRAL SWITCH ASSY .CONTACTEUR DE POINT-MORT	1	1	
51	703-83383-02	.BUZZER .RONFLEUR	1	1	
52	703-48284-00	.GROMMET .PASSE-FIL	1	1	
53	703-82591-00	.BAND .COLLIER	1	1	
54	703-82592-00	.BAND .COLLIER	1	1	

FIG. 26 REMOTE CONTROL ASSY

BOITIER DE COMMANDE A DISTANCE



64L1100-2260

REF. NO.	PART NO. NO. PIECES	DESCRIPTION DESCRIPTION	115C	130B	REMARKS REMARQUES
55	703-82563-02	.TRIM & TILT SWITCH ASSY .INCLINER ET PARER COMMUTATEUR	1	1	WITH PT/T SW.
56	703-48221-00	.LEVER, CONTROL .LEVIER, COMMANDE	1	1	
57	703-48152-00	.KNOB, FREE ACCEL. .BOUTON	1	1	
58	703-48212-00	.BACK PLATE 1 .PLAQUETTE 1	1	1	
59	703-48213-00	.BACK PLATE 2 .PLAQUETTE 2	1	1	
60	703-48271-00	.ARM, SHIFT .BRAS	1	1	
61	703-48211-01	.HOUSING,1 .CORPS	1	1	
62	703-48232-00	.GEAR .PIGNON	1	1	

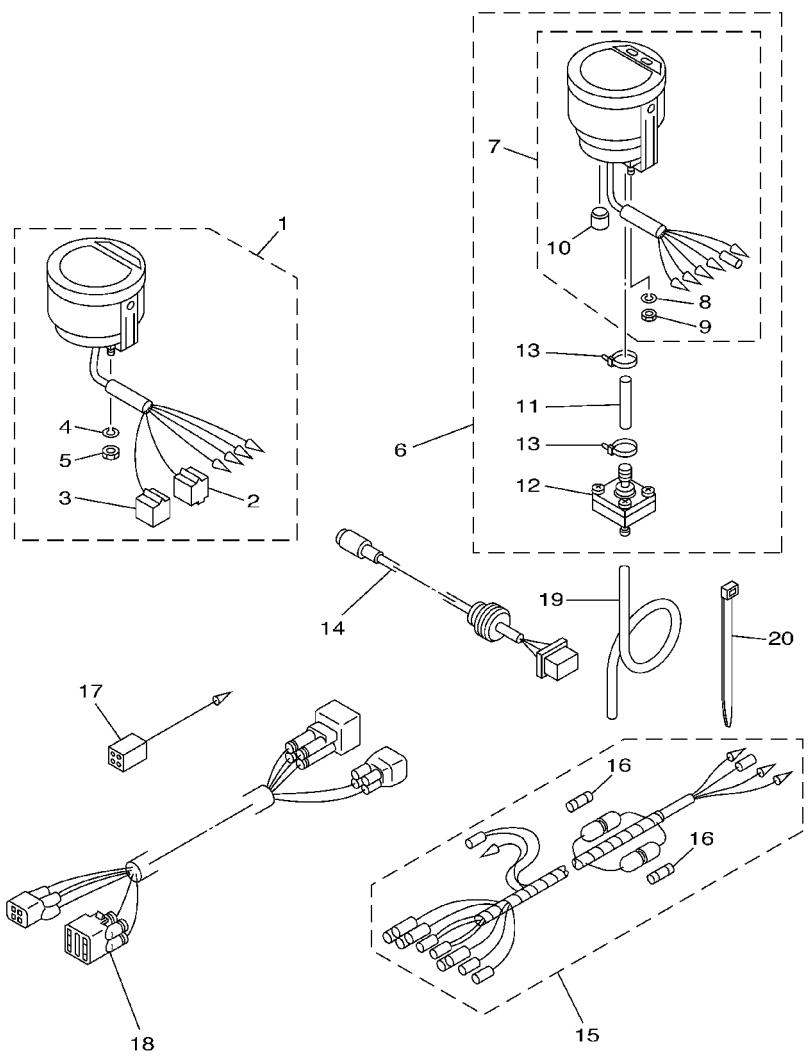


FIG. 27 METER

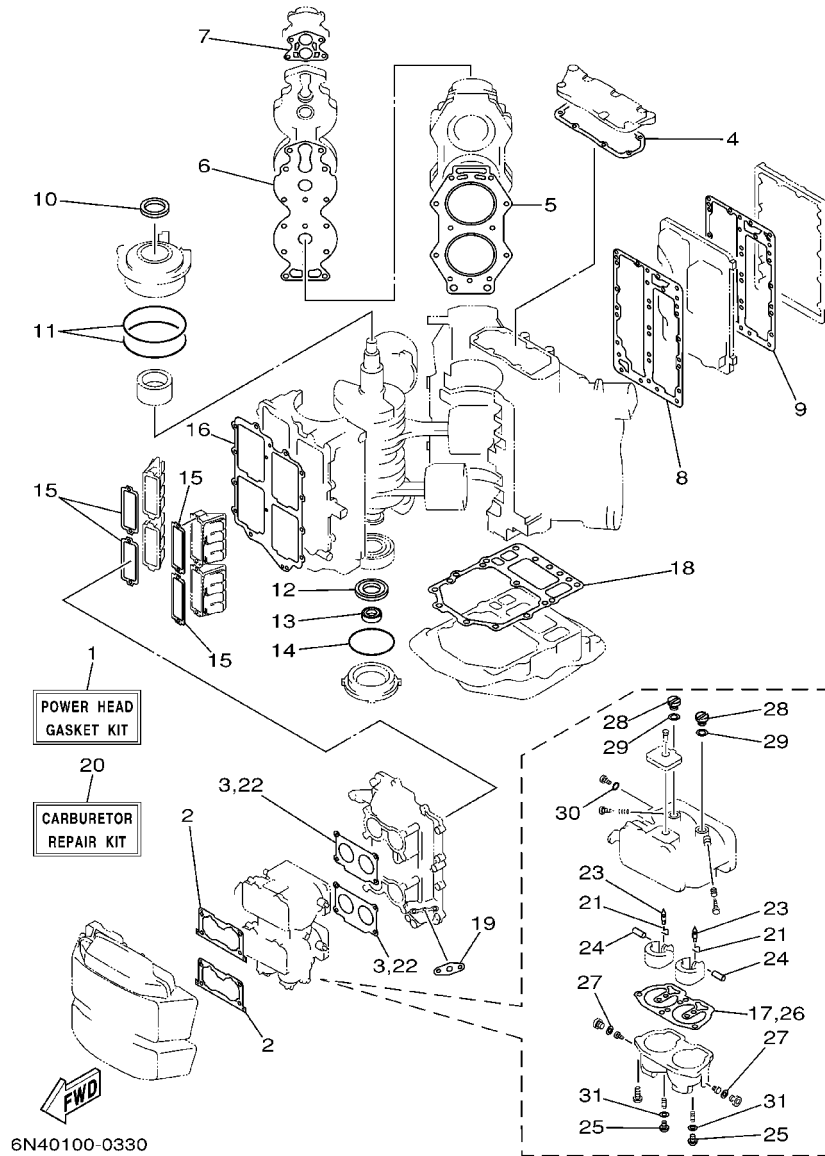
COMPTEUR

REF. NO.	PART NO. NO. PIECES	DESCRIPTION DESCRIPTION	115C	130B	REMARKS REMARQUES
1	6Y5-8350T-02	TACHOMETER ASSY COMPTE-TOURS CPLT	1	1	AP
2	9E450-04433	.CONNECTOR .CONNECTEUR	1	1	M-4-W
3	9E450-04533	.CONNECTOR .CONNECTEUR	1	1	F-4-W
4	92990-04100	.WASHER, SPRING .RONDELLE, GROWER	2	2	
5	95380-04600	.NUT .ECROU	2	2	
6	6Y5-83500-S5	DIGITAL SPEEDOMETER ASSY TACHYMETRE NUMERIQUE CPLT.	1	1	AP
7	6Y5-83570-S5	.SPEEDOMETER ASSY .COMPTEUR DE VITESSE CPLT	1	1	
8	92990-04100	..WASHER, SPRING ..RONDELLE, GROWER	2	2	
9	95380-04600	..NUT ..ECROU	2	2	
10	6Y5-83533-T2	..GROMMET ..RONDELLE CAOUTCHOU	1	1	
11	6Y5-83557-31	.TUBE .TUBE	1	1	
12	6Y5-83728-00	.CONNECTOR ASSY .CONNEXION COMPLET	1	1	
13	90465-11M10	.CLAMP .BRIDE	2	2	
14	6Y5-87122-S0	CORD ASSY 1 COPDON COMPLET	1	1	AP
15	6Y5-83553-M0	WIRE, LEAD FIL	1	1	AP
16	1E6-82151-00	.FUSE (10A) .FUSIBLE (10A)	2	2	
17	6Y5-82117-00	WIRE, LEAD (BLACK) FIL (NOIR)	1	1	AP
18	68F-82553-80	EXTENSION, WIRE LEAD EXTENSION, FAISCEAU	1	1	AP
19	6Y5-83557-10	TUBE (8M) TUBE (8M)	1	1	AP
20	90465-11M10	CLAMP BRIDE	2	2	AP

61A1700-2290

FIG. 28 REPAIR KIT 1

KITS DE REPARATION 1



REF. NO.	PART NO. NO. PIECES	DESCRIPTION DESCRIPTION	115C	130B	REMARKS REMARQUES
1	6N6-W0001-A5	POWER HEAD GASKET KIT POCHETTE DE JINTS TETE MOTRICE	1	1	
2	6K7-14483-00	.GASKET .JOINT	2	2	
3	6E5-14198-A2	.GASKET .JOINT	2	2	
4	6E5-11381-A2	.GASKET 1 .JOINT 1	1	1	
5	6E5-11181-A1	.GASKET, CYLINDER HEAD 1 .JOINT, DE CULASSE 1	2	2	
6	6E5-11193-A0	.GASKET, HEAD COVER 1 .JOINT, COUVERCLE DE CULASSE 1	2	2	
7	688-12414-A1	.GASKET, COVER .JOINT, COUVERCLE	2	2	
8	6E5-41112-A1	.GASKET, EXHAUST INNER COVER .JOINT, PLAQUE D'ECHAPPEMENT	1	1	
9	6E5-41112-A1	.GASKET, EXHAUST INNER COVER .JOINT, PLAQUE D'ECHAPPEMENT	1	1	
10	93102-40M14	.OIL SEAL .JOINT SPY	1	1	
11	93211-04001	.O-RING .JOINT TORIQUE	2	2	
12	93102-35M13	.OIL SEAL .JOINT SPY	1	1	
13	93101-22M15	.OIL SEAL .JOINT SPY	1	1	
14	93210-74M35	.O-RING .JOINT TORIQUE	1	1	
15	6E5-13621-A1	.GASKET, VALVE SEAT .JOINT, SIEGE DE CLAPET	4	4	
16	6E5-13645-A1	.GASKET, MANIFOLD 1 .JOINT, TUBULURE 1	1	1	
17	64D-14384-01	.GASKET, FLOAT CHAMBER .JOINT, CUVE DE FLOTTEUR	2	2	
18	6G5-45113-A1	.GASKET, UPPER CASING .JOINT, TUBE D'ARBRE	1	1	
19	650-24431-A0	.GASKET, FUEL PUMP 1 .JOINT 1 DE POMPE A ESSENCE	1	1	
20	6N6-W0093-09	CARBURETOR REPAIR KIT KIT DE REPARATION CARBURATEUR	1	1	
21	6E5-14159-00	.CLIP .JONC	2	2	
22	6E5-14198-A2	.GASKET .JOINT	1	1	
23	6E5-14546-00	.VALVE, NEEDLE .POINTEAU	2	2	
24	6E5-14386-02	.PIN, FLOAT .AXE, FLOTTEUR	2	2	
25	64D-14394-00	.VALVE, DRAIN .SOUPAPE, VIDANGE	2	2	
26	64D-14384-01	.GASKET, FLOAT CHAMBER .JOINT, CUVE DE FLOTTEUR	1	1	
27	6E5-14398-00	.GASKET .JOINT	2	2	



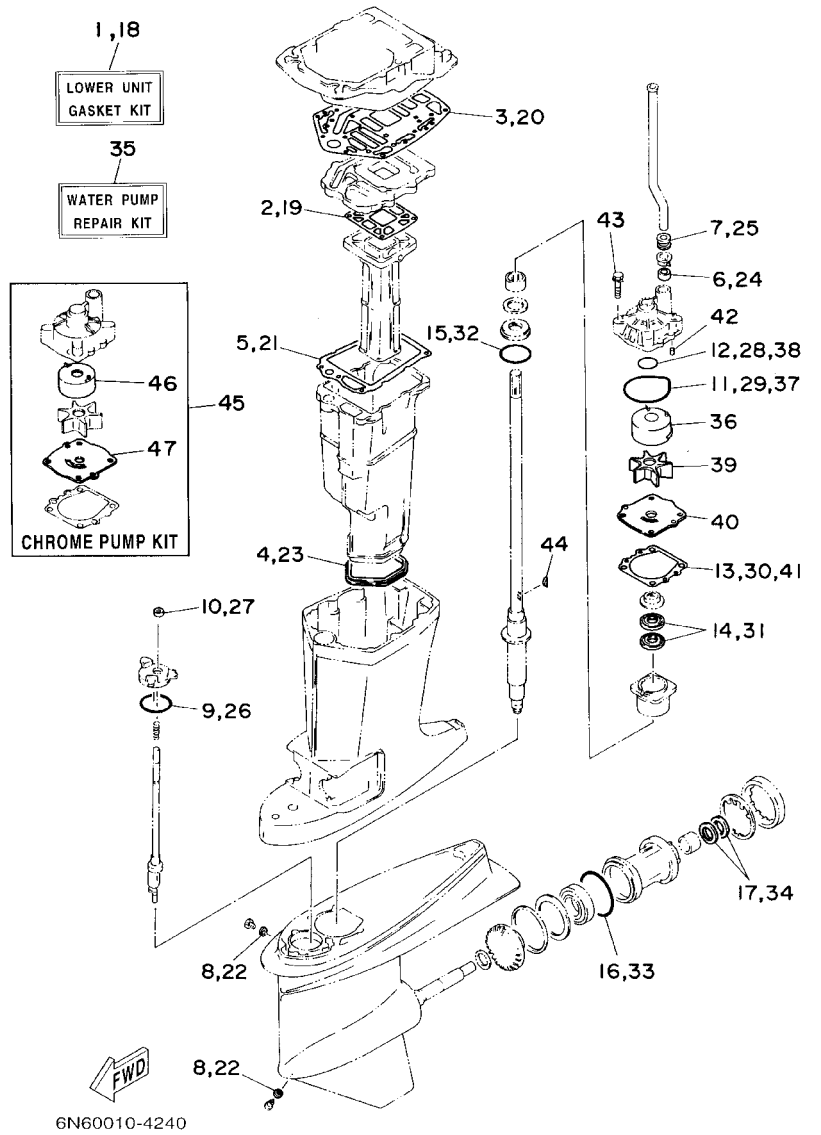


FIG. 29 REPAIR KIT 2

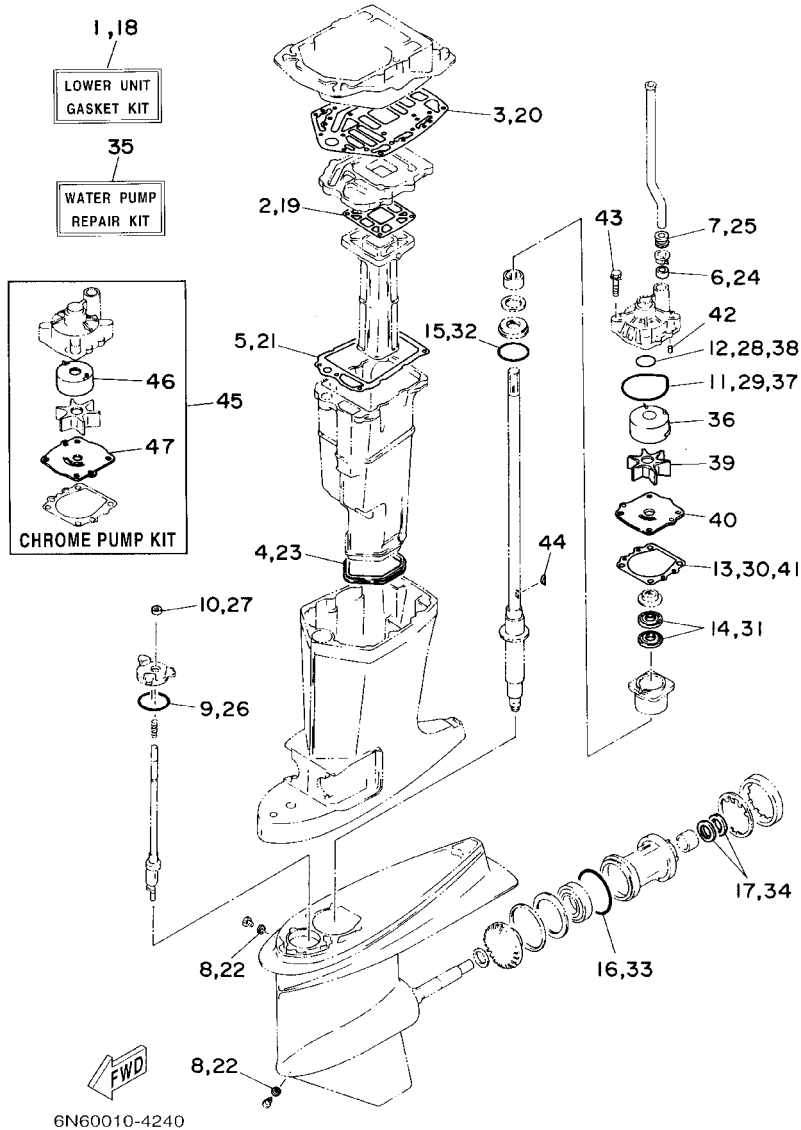
KITS DE REPARATION 2

REF. NO.	PART NO. NO. PIECES	DESCRIPTION DESCRIPTION	115C	130B	REMARKS REMARQUES
1	6E5-W0001-F1	LOWER UNIT GASKET KIT POCHETTE DE JOINTS EMBASE	1		
2	6E5-41134-A0	.GASKET, EXHAUST MANIFOLD .JOINT, PIPE D'ECHAPPEMENT	1		
3	6G5-45114-A1	.GASKET, UPPER CASING .JOINT, TUBE D'ARBRE	1		
4	6E5-45123-00	.GASKET, MUFFLER .JOINT, POT DE DETENTE	1		
5	6E5-41135-A0	.GASKET, EXHAUST MANIFOLD .JOINT, PIPE D'ECHAPPEMENT	1		
6	6E5-44365-00	.DAMPER, WATER SEAL .JOINT, TUBE D'EAU	1		
7	6E5-44366-00	.DAMPER, WATER SEAL .JOINT, TUBE D'EAU	1		
8	90430-08020	.GASKET .JOINT	2		
9	93210-58144	.O-RING .JOINT TORIQUE	1		
10	93106-09014	.OIL SEAL .JOINT SPY	1		
11	93210-86M38	.O-RING .JOINT TORIQUE	1		
12	93210-37160	.O-RING .JOINT TORIQUE	1		
13	6E5-44315-A0	.GASKET, WATER PUMP .JOINT, POMPE A EAU	1		
14	93101-28M16	.OIL SEAL .JOINT SPY	2		
15	93210-55M14	.O-RING .JOINT TORIQUE	1		
16	93210-86M39	.O-RING .JOINT TORIQUE	1		
17	93101-30M17	.OIL SEAL .JOINT SPY	2		
18	6F3-W0001-C1	LOWER UNIT GASKET KIT UNITE INFEIEURE TETE MOTRICE	1		
19	6G5-41134-A1	.GASKET, EXHAUST MANIFOLD .JOINT, PIPE D'ECHAPPEMENT	1		
20	6G5-45114-A1	.GASKET, UPPER CASING .JOINT, TUBE D'ARBRE	1		
21	6E5-41135-A0	.GASKET, EXHAUST MANIFOLD .JOINT, PIPE D'ECHAPPEMENT	1		
22	90430-08020	.GASKET .JOINT	2		
23	6E5-45123-00	.GASKET, MUFFLER .JOINT, POT DE DETENTE	1		
24	6E5-44365-00	.DAMPER, WATER SEAL .JOINT, TUBE D'EAU	1		
25	6E5-44366-00	.DAMPER, WATER SEAL .JOINT, TUBE D'EAU	1		
26	93210-58144	.O-RING .JOINT TORIQUE	1		
27	93106-09014	.OIL SEAL .JOINT SPY	1		



FIG. 29 REPAIR KIT 2

KITS DE REPARATION 2



REF. NO.	PART NO. NO. PIECES	DESCRIPTION DESCRIPTION	115C	130B	REMARKS REMARQUES
28	93210-37160	.O-RING .JOINT TORIQUE		1	
29	93210-86M38	.O-RING .JOINT TORIQUE		1	
30	6E5-44315-A0	.GASKET, WATER PUMP .JOINT, POMPE A EAU		1	
31	93101-28M16	.OIL SEAL .JOINT SPY		2	
32	93210-55M14	.O-RING .JOINT TORIQUE		1	
33	93210-86M39	.O-RING .JOINT TORIQUE		1	
34	93101-30M17	.OIL SEAL .JOINT SPY		2	
35	6N6-W0078-02	WATER PUMP REPAIR KIT KIT DE REPARATION DE LA POMPE	1	1	
36	61A-44322-02	.INSERT, CARTRIDGE .CUVETTE	1	1	
37	93210-86M38	.O-RING .JOINT TORIQUE	1	1	
38	93210-37160	.O-RING .JOINT TORIQUE	1	1	
39	6E5-44352-01	.IMPELLER .TURBINE	1	1	
40	6E5-44323-00	.OUTER PLATE, CARTRIDGE .PLAQUE EXTERIEURE	1	1	
41	6E5-44315-A0	.GASKET, WATER PUMP .JOINT, POMPE A EAU	1	1	
42	93606-12019	.PIN, DOWEL .GOUILLE	2	2	
43	90119-08M14	.BOLT, WITH WASHER .BOULON, AVEC RONDELLE	4	4	
44	90280-04M05	.KEY, WOODRUFF .CLAVETTE, DEMI-LUNE	1	1	
45	6E5-W0078-3A	CHROME PUMP KIT KIT DE POMPE A EAU CHROMEE	1	1	
46	6R3-44322-42	.INSERT, CARTRIDGE .CUVETTE	1	1	
47	6E5-44323-40	.OUTER PLATE, CARTRIDGE .PLAQUE EXTERIEURE	1	1	

NUMERICAL INDEX  
INDEX NUMERIQUE

PART NO. NO. PIECES	REF. NO.	PART NO. NO. PIECES	REF. NO.	PART NO. NO. PIECES	REF. NO.	PART NO. NO. PIECES	REF. NO.	PART NO. NO. PIECES	REF. NO.	PART NO. NO. PIECES	REF. NO.
6E5-W0001-F1	29 - 1	6R5-11650-10	3 - 23	64D-14384-01	6 - 3	6G5-24316-10	9 - 32	6G5-41134-A1	21 - 26	6N7-42725-30	15 - 10
6F3-W0001-C1	29 - 18	6E5-12411-30	4 - 7		28 - 17	6G5-24318-10	9 - 36		29 - 19	688-42726-10	15 - 28
6N6-W0001-A5	28 - 1	6G5-12413-00-1S	4 - 8		28 - 26	6E5-24319-01	8 - 7	6E5-41135-A0	21 - 33	6N7-42738-02-5B	15 - 11
6E5-W0004-00	5 - 2	688-12414-A1	4 - 9	6E5-14385-02	6 - 5	6G5-24319-10	9 - 37		29 - 5	6N7-42741-01-8D	15 - 29
6N7-W0070-30	1 - 19		28 - 7	6E5-14386-02	6 - 8	6E5-24321-01	8 - 11		29 - 21	6H4-42748-00	15 - 3
6E5-W0078-3A	29 - 45	6G5-12416-00	4 - 19		28 - 24	6E5-24322-00	8 - 4	6G5-41137-11-94	21 - 10	6E5-42761-00-1S	2 - 18
6N6-W0078-02	29 - 35	6R3-12572-00	15 - 53	64D-14394-00	6 - 11	64E-24323-00	8 - 34	6E5-41213-00	16 - 32	6E5-42762-00-1S	2 - 19
6N6-W0090-16-1S	2 - 1	6E5-12576-00	4 - 25		28 - 25	6E5-24367-10	15 - 40	6E5-41217-01	5 - 21	6E5-42769-00	21 - 5
6N7-W0090-17-1S	2 - 1	6R3-12580-00	15 - 54	6E5-14398-00	6 - 13	6E5-24376-10	9 - 35	6H1-41237-00	7 - 21	6R3-42771-01-8D	15 - 30
6N6-W0093-09	28 - 20	6G5-12581-00	21 - 12		28 - 27	6R3-24377-00	9 - 2	6R5-41237-00	7 - 23	6G5-42791-10	15 - 57
656-W2810-02	8 - 47	6R3-13117-00	7 - 17	6E5-1441K-00	5 - 27	650-24378-00	4 - 15	662-41237-01	16 - 25	6K7-42791-00	15 - 57
6E5-11111-10-1S	4 - 1	6R3-13183-10	7 - 12	6N7-14440-01	5 - 26	6E5-24379-00	8 - 12		16 - 31	6R3-42791-41	21 - 2
6L1-11111-00-1S	4 - 1	6N6-13200-00	7 - 1	6K7-14483-00	5 - 29		8 - 36	6R3-41241-00	7 - 20	6R3-42792-41	21 - 3
6E5-11119-01	2 - 16	6N7-13200-00	7 - 1		28 - 2		8 - 38	6E5-41256-01	5 - 22	6R3-42811-01	15 - 15
6E5-11181-A1	4 - 2	6E5-13411-00	8 - 28	624-14485-00	5 - 8	6E5-24410-03	9 - 16	661-41262-02	5 - 23	6R3-42811-10	15 - 18
	28 - 5	6E5-13414-00	8 - 29	6E5-14488-00	11 - 21	6E5-24411-00	9 - 21	6N7-41271-00	5 - 24	6R3-42813-00	15 - 21
6E5-11191-01-1S	4 - 4	6N7-13416-00	7 - 7	6E5-14527-01	6 - 23	6E5-24412-10	9 - 28	689-41273-00	5 - 25	6R3-42814-00	1 - 6
6E5-11193-A0	4 - 5	6E5-13437-62	8 - 45	6E5-14546-00	6 - 6	6E5-24413-00	9 - 18	688-41611-00	11 - 9	6N7-42815-01-8D	15 - 4
	28 - 6	6E5-13448-00	8 - 25		28 - 23	6A0-24421-01	9 - 25	688-41612-00	11 - 10	6R3-42816-00	15 - 16
6E5-11325-00	2 - 14	6R3-13471-00	7 - 2	6E5-14711-01-5B	21 - 29	6E5-24423-00	9 - 23	6E5-41631-01-1S	16 - 10	6R3-42824-00	15 - 14
6E5-11370-01	5 - 9	6L2-13475-00	7 - 3	6E5-14737-00	21 - 30	648-24424-00	9 - 22	6E5-41632-02-1S	16 - 6	6N7-42828-00	15 - 24
6K7-11371-01-1S	2 - 22	6E5-13552-00	5 - 7	64D-1492E-88	6 - 12	650-24431-A0	9 - 29	6E5-41636-01	16 - 23	6R3-42828-00	15 - 25
6E5-11372-01	2 - 5	6E5-13610-00	5 - 1	64D-1492E-90	6 - 12		28 - 19	688-41636-00	16 - 29	6N7-42850-00	15 - 17
6G5-11372-00-1S	4 - 23	6E5-13621-A1	5 - 3	64D-1492F-39	6 - 9	6E5-24434-02	9 - 24	6E5-42510-A1-8D	18 - 10	6N7-42850-10	15 - 19
6H1-11372-00	21 - 20		28 - 15	64D-1492F-41	6 - 9	6E5-24435-00	9 - 20	624-42542-00	8 - 32	6N7-42850-20	15 - 20
624-11379-00	2 - 3	6E5-13641-11-1S	5 - 6	61A-1492H-12	6 - 14	6E5-24444-00	9 - 17		8 - 43	64E-43111-02-8D	17 - 1
6E5-11381-A2	2 - 23	6E5-13645-A1	5 - 14	6J8-14959-00	6 - 26	6E5-24471-00	9 - 19		12 - 3	64E-43112-02-8D	17 - 9
	28 - 4		28 - 16		28 - 30	61N-24521-00	9 - 7	6N6-42610-60-4D	1 - 1	64E-43126-00	17 - 37
6G5-11382-A1	4 - 22	6E5-14159-00	6 - 7	61U-14959-00	6 - 10	6R3-24560-00	9 - 5	6N7-42610-60-4D	1 - 1	64E-43131-01	17 - 15
6N7-11411-01	3 - 1		28 - 21		28 - 31	61N-24563-00	9 - 6	6N7-42613-00-4D	1 - 12	64E-43139-02	18 - 1
6E5-11447-00	3 - 2	6E5-14198-A2	5 - 19	6E5-14979-00	6 - 19	6E5-24566-00	9 - 9	6R3-42615-01	1 - 11	6G5-43144-00	17 - 27
663-11518-01	2 - 4		28 - 3		28 - 29	6A1-28176-00	15 - 58	6N7-42619-00	1 - 9	6E5-43145-01	24 - 8
6R3-11536-00	3 - 9		28 - 22	6N6-15100-01-1S	2 - 2	64C-28199-78-A0	8 - 48	6N7-42627-00	1 - 10	6G5-43148-00	17 - 32
6R3-11537-00	7 - 16	6E5-14223-00	6 - 21	6N7-15100-01-1S	2 - 2	64C-28199-78-B0	8 - 48	6N7-42636-00	1 - 14	6G5-43181-02	17 - 29
64D-11603-01	3 - 18	6E5-14276-01	7 - 26	6R3-15163-00-1S	3 - 3	64C-28199-88-A0	8 - 49	6R3-42647-00	1 - 2	6G5-43185-02	17 - 30
	3 - 20	6E5-14301-16	6 - 1	6G5-15359-00-94	3 - 12	64C-28199-88-B0	8 - 49	6R3-42662-00	1 - 5	64E-43311-10-8D	17 - 22
64D-11604-01	3 - 18	6L1-14301-04	6 - 1	61A-21708-20	8 - 1	6E5-41111-00-1S	4 - 11	6N7-4267A-30	1 - 23	61A-43376-00	18 - 8
	3 - 20	6E5-14302-16	6 - 2	6E5-21733-20	8 - 2	6L1-41111-00-1S	4 - 11	6N7-42678-30	1 - 22	64E-4380F-00	20 - 33
64D-11605-01	3 - 18	6L1-14302-04	6 - 2	6E5-21734-01-33	8 - 18	6E5-41112-A1	4 - 12	6N7-42681-30	1 - 20	64E-4380J-00	20 - 30
	3 - 20	6E5-14321-00	6 - 16	6E5-21746-00	8 - 20		4 - 13	6N7-42682-30	1 - 21	64E-43800-02-4D	19 - 1
6R5-11631-11-93	3 - 17	6E5-14323-03	6 - 20	6E5-21750-05	8 - 24		28 - 8	6N6-42686-40	1 - 17	64E-43802-00	20 - 8
6R5-11633-10	3 - 21	6E5-14324-00	6 - 25	6E5-21770-03	8 - 3		28 - 9	6N7-42686-40	1 - 17	64E-43805-00	20 - 37
6R5-11634-10	3 - 22	6A0-14325-00	9 - 26	6E5-21798-01-33	8 - 19	6N7-41113-00-1S	4 - 14	6N6-42687-30	1 - 18	64E-4381G-00	19 - 27
6R5-11635-11	3 - 17	6E5-14328-01	6 - 18	646-24251-02	8 - 6	6G5-41131-01-5B	21 - 21	6N7-42687-30	1 - 18	64E-43810-00	19 - 6
6R5-11636-11	3 - 17		28 - 28	6YK-24307-42	10 - 1	6E5-41132-10-5B	21 - 25	6N7-42711-43-8D	15 - 1	6E5-43814-02	19 - 13
6R5-11642-11-93	3 - 19	6J8-14334-00	6 - 17	6E5-24312-00	4 - 16	6L1-41132-00-5B	21 - 25	648-42715-00	16 - 49	64E-43816-00	20 - 17
6R5-11645-11	3 - 19	64D-14381-00	6 - 4	6R3-24313-20	9 - 1	6E5-41134-A0	21 - 26	6E5-42716-00	15 - 43	64E-43817-00	19 - 5
6R5-11646-11	3 - 19	61A-14383-01	6 - 15	6E5-24314-00	9 - 13		29 - 2	6E5-42724-00	21 - 11	64E-43817-10	20 - 19

NUMERICAL INDEX  
INDEX NUMERIQUE

PART NO. NO. PIECES	REF. NO.	PART NO. NO. PIECES	REF. NO.	PART NO. NO. PIECES	REF. NO.	PART NO. NO. PIECES	REF. NO.	PART NO. NO. PIECES	REF. NO.	PART NO. NO. PIECES	REF. NO.
64E-43818-01	19 - 32	64E-43891-00	20 - 31	6G5-45113-A1	28 - 18	6L6-45577-00-50	22 - 65	703-48222-00	26 - 27	6N7-81810-00	14 - 5
64E-4382G-00	19 - 29	64E-43892-00	20 - 34	6G5-45114-A1	21 - 22	6E5-45587-01-10	22 - 37	703-48223-00	26 - 28	6N7-81813-00	14 - 9
64E-43820-00	19 - 15	6E5-43896-00	20 - 9		29 - 3	6E5-45587-01-12	22 - 37	703-48225-00	26 - 29	6E5-8182A-10	14 - 17
64E-43821-00	19 - 16	64E-43897-00	19 - 24		29 - 20	6E5-45587-01-15	22 - 37	703-48226-00	26 - 26	6E5-8182E-10	14 - 15
64E-43822-00	19 - 17	64E-43898-00	19 - 7	663-45119-00	17 - 14	6E5-45587-01-18	22 - 37	703-48227-00	26 - 24	6E5-8182F-10	14 - 16
64E-43825-01	19 - 2	6E5-44117-00-1S	16 - 36		17 - 25	6E5-45587-01-30	22 - 37	703-48232-00	26 - 62	6K7-8182G-10	14 - 6
64E-43827-00	20 - 22	6E5-44118-01-94	16 - 44	6E5-45123-00	21 - 32	6E5-45587-01-40	22 - 37	703-48234-00	26 - 18	6E5-8182K-10	14 - 18
64E-43828-00	19 - 22	6E5-44120-03	16 - 51		29 - 4	6E5-45587-01-50	22 - 37	703-48235-00	26 - 4	6N7-81820-10	14 - 10
64E-43829-00	19 - 23	68F-44121-00	16 - 38		29 - 23	6E5-45611-01	22 - 48	703-48236-00	26 - 16	6R3-81822-00-94	14 - 19
64E-43830-00	20 - 4	6E5-44122-00	16 - 39	6E5-45155-00	21 - 4	6E5-45631-01	22 - 56	703-48238-00	26 - 22	61A-81824-00	14 - 4
64E-43831-00	20 - 2	6E5-44150-02	22 - 17	688-45214-02	23 - 10	6E5-45633-01	22 - 57	703-48243-00	26 - 15	6K7-81826-10	14 - 14
64E-4384J-00	19 - 18	688-44194-00	16 - 14	688-45215-02	23 - 11	6E5-45634-01	22 - 50	703-48244-00	26 - 21	6N7-81830-00	14 - 13
64E-43841-00	20 - 7		16 - 28	6G5-45251-02	17 - 2	6E5-45641-02	22 - 49	703-48245-00	26 - 11	6N7-81840-00	14 - 7
64E-43843-00	20 - 6	61A-44311-01	22 - 24	6E5-45300-17-8D	22 - 1	688-45930-02-98	23 - 26	703-48246-00	26 - 23	6N7-81850-10	14 - 2
64E-43843-10	20 - 38	6E5-44312-00	23 - 20	688-45301-05-8D	22 - 2	688-45932-60-98	23 - 26	701-48248-00	26 - 13	6N7-81857-00	14 - 12
64E-43850-00	20 - 15	6E5-44315-A0	22 - 31	6E5-45321-00	22 - 13	6E5-45941-00-EL	23 - 26	703-48252-00	26 - 12	6E5-81900-01	8 - 9
64E-43851-00	20 - 11		29 - 13	6E5-45331-00-94	22 - 34	6E5-45943-00-EL	23 - 26	703-48261-01	26 - 2	6E5-81922-00	8 - 10
64E-43855-00	20 - 14		29 - 30	6E5-45332-00-94	22 - 58	6E5-45945-01-EL	23 - 26	703-48264-00	26 - 6	61A-81941-00	13 - 8
6E5-43858-00	19 - 28		29 - 41	688-45341-10	22 - 7	6E5-45947-00-EL	23 - 26	703-48265-00	26 - 9	6R3-81942-00	12 - 16
64E-43858-00	20 - 12	6R3-44322-42	29 - 46	6E5-45344-00	22 - 40	6E5-45949-00-EL	23 - 26	703-48268-00	26 - 5	6E5-81948-22	13 - 15
	20 - 18	61A-44322-02	22 - 25	6E5-45371-01	23 - 14	6E5-45952-00-EL	23 - 26	703-48271-00	26 - 60	6N7-81948-00-94	12 - 10
			29 - 36	6E5-45371-10	23 - 28	6E5-45954-00-EL	23 - 26	703-48281-00	26 - 31	6E5-8195A-00	13 - 11
72X-43858-00	20 - 5	6E5-44323-00	22 - 30	688-45375-00	23 - 9	6E5-45956-00-EL	23 - 26	703-48282-00	26 - 32	6E5-81950-00	13 - 10
64E-43859-00	20 - 13		29 - 40	663-45376-00-94	23 - 8	6E5-45970-10	23 - 27	703-48284-00	26 - 52	689-81952-10	13 - 9
6H1-4386K-10	20 - 29		29 - 47	6E5-45378-00	22 - 10	688-45970-03-98	23 - 26	701-48287-00	26 - 42	6R3-81960-00	12 - 13
64E-43860-00	20 - 20	6E5-44323-40	22 - 28	688-45383-02	22 - 68	6E5-45972-10	23 - 27	703-48291-10	26 - 39	6N7-82105-02	13 - 34
6E5-43862-00	19 - 10	6E5-44352-01	29 - 39	688-45384-00	22 - 69	688-45972-02-98	23 - 26	703-48293-10	26 - 41	6E5-82116-00	13 - 14
	19 - 14		23 - 2	6E5-45501-01	22 - 43	6E5-45974-10	23 - 27	701-48320-00	25 - 2	6E5-82117-01	13 - 35
6G5-43863-00	20 - 10	6E5-44361-00	23 - 3	61A-45527-00	22 - 23	688-45974-02-98	23 - 26	701-48320-50	25 - 2	6Y5-82117-00	27 - 17
6E5-43864-00	19 - 20	6E5-44365-00	23 - 19	6E5-45536-00	22 - 9	6E5-45976-10	23 - 27	701-48320-60	25 - 2	6G5-82119-00	13 - 13
6G5-43864-00	19 - 19		29 - 6	61A-45538-00	22 - 20	688-45976-01-98	23 - 26	701-48320-80	25 - 2	6E5-82147-00	17 - 26
6G5-43865-00	20 - 35		29 - 24	6E5-45551-02	22 - 44	6E5-45978-10	23 - 27	6E5-48344-00	16 - 7	6E5-82148-00	17 - 6
64E-43865-00	20 - 16		23 - 1	6E5-45560-01	22 - 46	688-45978-60-98	23 - 26		16 - 42		17 - 10
64E-43866-00	19 - 9	6E5-44366-00	29 - 7	6E5-45567-01-10	22 - 5	6E5-45987-01	23 - 21	703-48345-01	26 - 19	6E5-82149-00	18 - 19
64E-43867-00	19 - 8		29 - 25	6E5-45567-01-12	22 - 5	6E5-45994-10	23 - 29	701-48350-00	25 - 2	1E6-82151-00	27 - 16
64E-43868-00	20 - 3		15 - 9	6E5-45567-01-15	22 - 5	688-45997-01	23 - 22	701-48350-20	25 - 2	663-82151-00	13 - 31
64E-43869-00	19 - 26	6E5-44391-00	18 - 38	6E5-45567-01-18	22 - 5	703-48152-00	26 - 57	703-48358-00	26 - 20	705-82151-00	13 - 32
64E-4387A-00	20 - 23	6E5-44511-00-5B	18 - 31	6E5-45567-01-30	22 - 5	703-48153-00	26 - 3	6E5-48531-00	16 - 1	6G5-82152-00	13 - 33
6E5-43872-00	19 - 12	6E5-44514-00-94	17 - 3	6E5-45567-01-40	22 - 5	703-48189-00	26 - 17	6E5-48538-00	16 - 2	6A0-82317-00	8 - 31
64E-43873-00	20 - 24	6G5-44526-00	2 - 20	6E5-45567-01-50	22 - 5	703-48198-00	26 - 14	6E5-61350-02	24 - 1		8 - 42
6E5-43874-01	19 - 21	68F-44533-00	18 - 13	6E5-45571-01	22 - 60	703-48198-00	26 - 14	6E5-61351-01	24 - 2		12 - 2
64E-43875-00	20 - 25	6G5-44551-01-8D	18 - 24	6E5-45576-00	22 - 61	703-48205-17	25 - 1	6E5-61355-00	24 - 5		11 - 18
64E-43879-00	20 - 27	6E5-44552-01-94	18 - 24	6L6-45577-00-10	22 - 65		26 - 1	6E5-81355-00	11 - 13	663-82317-01	11 - 18
64E-43879-10	20 - 26	6E5-44553-01-8D	18 - 27	6L6-45577-00-12	22 - 65	703-48211-01	26 - 61	6E5-81332-00	11 - 13	6G1-82370-21	13 - 4
64E-4388E-00	19 - 25	6E5-44555-00-94	18 - 16	6L6-45577-00-15	22 - 65	703-48212-00	26 - 58	6N7-81337-00	11 - 16	703-82510-43	26 - 44
64E-4388E-10	20 - 1	6E5-44575-00	18 - 15	6L6-45577-00-18	22 - 65	703-48213-00	26 - 59	6N7-81800-10	14 - 1	6R3-82519-00	13 - 36
64E-4388J-00	19 - 3	663-44575-00	18 - 37	6L6-45577-00-20	22 - 65	703-48215-00	26 - 43	6N7-81801-00	14 - 8	662-82519-00	13 - 5
64E-43880-01	20 - 28	6E5-45111-02-8D	21 - 1	6L6-45577-00-30	22 - 65	703-48219-00	26 - 30	6N7-81807-00	14 - 11	6E5-82531-10	13 - 39
64E-43883-00	19 - 11	6G5-45113-A1	21 - 14	6L6-45577-00-40	22 - 65	703-48221-00	26 - 56	61A-81809-00	14 - 3	703-82531-00	26 - 46

NUMERICAL INDEX  
INDEX NUMERIQUE

PART NO. NO. PIECES	REF. NO.	PART NO. NO. PIECES	REF. NO.	PART NO. NO. PIECES	REF. NO.	PART NO. NO. PIECES	REF. NO.	PART NO. NO. PIECES	REF. NO.	PART NO. NO. PIECES	REF. NO.
703-82540-00	26 - 50	6N7-86110-00	13 - 20	90159-06M08	12 - 17	90280-05015	11 - 4	90465-08M89	13 - 29	92903-06100	9 - 11
68F-82553-80	27 - 18	6N7-86112-00	13 - 25	90159-06M11	12 - 9	90282-04010	22 - 67	90465-11M10	7 - 8	92903-06600	11 - 8
682-82556-00	26 - 48	6N7-86116-00	13 - 21	90159-06M14	5 - 30	90340-08002	22 - 6		8 - 5		12 - 12
688-82560-10	13 - 27	6Y5-87122-S0	27 - 14	90169-05M00	15 - 2	90340-14M00	2 - 6		8 - 8		12 - 15
6R3-82563-00	13 - 43	6G5-87149-10	13 - 12	90170-16M01	22 - 45	90384-06M07	2 - 8		8 - 14		12 - 19
703-82563-02	26 - 55	9E450-04433	27 - 2	90170-20137	11 - 6	90384-14M09	2 - 9		8 - 37	92903-08600	16 - 46
6E3-8257H-00	15 - 59	9E450-04533	27 - 3	90171-18M04	23 - 24	90386-06M12	16 - 43		8 - 39	92990-04100	27 - 4
688-82575-01	26 - 47	90101-12M03	17 - 40	90179-06M24	1 - 13	90386-10M16	17 - 31		9 - 3		27 - 8
703-82577-00	26 - 45	90105-10M00	23 - 15	90179-06M28	5 - 20	90386-12089	16 - 17		9 - 4	92990-04600	1 - 15
688-8258A-20	26 - 49	90105-10M20	2 - 11	90179-06066	18 - 30	90386-13M88	15 - 5		9 - 14	92990-05600	5 - 5
6E5-82587-00	13 - 44	90109-06M39	7 - 6	90183-05M02	21 - 31	90386-16M66	16 - 53		9 - 15	92990-06100	1 - 3
6E5-82588-00	15 - 45	90109-06M40	7 - 5	90185-05002	23 - 13	90386-22M13	16 - 19		9 - 33	92990-06200	16 - 8
6K7-82588-00	15 - 44	90109-08M45	15 - 7	90185-06M07	16 - 9	90386-22M98	17 - 38		9 - 34	92990-06600	8 - 22
6N7-82590-14	13 - 30	90109-08022	3 - 24	90185-09M01	24 - 6		19 - 33		9 - 38		12 - 7
703-82591-00	26 - 53	90109-12M37	18 - 35	90185-12M12	18 - 36	90386-25M31	17 - 18		9 - 39		15 - 42
703-82592-00	26 - 54	90109-14M34	18 - 20	90185-22M11	17 - 20	90386-38M32	18 - 12		15 - 56		17 - 12
6E5-82594-00	15 - 49	90116-06M30	5 - 13	90201-08M13	16 - 21	90387-06M29	16 - 33		17 - 21	92990-08200	15 - 8
688-82594-00	15 - 48	90116-08M45	2 - 13	90201-08M14	19 - 30	90387-08M16	16 - 18		18 - 5	92990-08600	14 - 23
703-82594-00	26 - 25	90119-06MA2	2 - 21	90201-08M23	16 - 16	90387-08M37	15 - 34		23 - 18		26 - 34
703-83383-02	26 - 51		2 - 24	90201-08M54	15 - 35	90387-10M05	17 - 34		27 - 13	92990-18200	23 - 23
6Y5-8350T-02	27 - 1		3 - 7	90201-10M20	24 - 7	90387-10M61	24 - 3		27 - 20	92995-06100	17 - 5
6Y5-83500-S5	27 - 6		3 - 16	90201-12M05	17 - 42	90430-08020	22 - 8	90465-12M25	15 - 50	92995-06600	1 - 8
6Y5-83533-T2	27 - 10		4 - 24	90201-13M01	17 - 41		29 - 8	90465-13M11	8 - 17		5 - 18
6Y5-83553-M0	27 - 15		16 - 37	90201-14M56	18 - 34		29 - 22		8 - 26		9 - 31
6N7-83557-00	13 - 18	90119-06MA3	5 - 15	90201-15M58	18 - 21	90430-14115	2 - 7	90465-13M18	4 - 26		11 - 15
6Y5-83557-10	27 - 19	90119-06MA4	4 - 6	90201-16M55	18 - 18	90445-05M02	8 - 30		13 - 19		13 - 3
6Y5-83557-31	27 - 11	90119-06MA5	4 - 18	90201-21M18	11 - 5	90445-07ME8	22 - 11		13 - 42		13 - 7
6E5-83558-00	23 - 17	90119-06MA6	4 - 10	90201-22M01	22 - 21	90445-07MF0	23 - 16	90467-08004	4 - 17		13 - 17
6E5-83558-10	22 - 12	90119-06M10	22 - 16	90201-23M01	3 - 26	90445-07M24	5 - 11	90468-05M03	7 - 24		13 - 24
6Y5-83570-S5	27 - 7	90119-06M59	12 - 4	90201-26M57	18 - 32	90445-07M28	5 - 10	90468-07M02	7 - 15		13 - 38
6R3-83614-00	13 - 45	90119-06M65	8 - 33	90201-26M59	17 - 19	90445-07M46	5 - 12	90468-18008	16 - 41		13 - 41
6A1-83625-41	11 - 20		8 - 44	90201-30M92	22 - 66	90445-07M72	7 - 11	90480-12M11	11 - 17		15 - 13
6A1-83625-51	11 - 19	90119-08MA3	2 - 17	90201-38M60	18 - 11	90445-07M87	7 - 13	90480-20M05	4 - 21		15 - 23
64E-83672-02	18 - 3	90119-08MA8	4 - 3	90202-05088	7 - 25	90445-07M89	7 - 9	90480-22M15	15 - 33		15 - 27
6Y5-83728-00	27 - 12	90119-08M14	22 - 33	90202-08M20	16 - 40	90445-07196	7 - 10	90501-11M10	22 - 19		15 - 32
72X-85075-L0	20 - 21		29 - 43	90202-08M44	7 - 19	90445-07258	5 - 28	90501-12082	16 - 48		15 - 39
6N7-85510-00	11 - 2	90119-08M22	15 - 37	90202-12092	16 - 20	90445-11M26	8 - 13	90501-16M11	4 - 20		15 - 47
6N7-85537-00	12 - 8	90119-08M57	14 - 22	90202-16061	16 - 54	90445-11M35	15 - 55	90501-16M12	16 - 12		15 - 52
6N7-85540-01	12 - 5	90119-08M76	14 - 20	90202-26M18	18 - 33	90445-12207	8 - 35	90501-16M28	18 - 28		17 - 8
6N7-85542-01-1S	12 - 1	90119-08M77	14 - 21	90202-32M19	18 - 17	90446-15M07	9 - 40	90501-16M37	22 - 51		21 - 7
6N7-85550-00	11 - 1	90119-08M79	21 - 15	90202-40M47	18 - 7	90450-10M07	10 - 2	90506-14M24	17 - 36		16 - 5
6R3-85570-01	13 - 1	90119-08M94	2 - 12	90206-10M04	16 - 34	90464-07M06	7 - 14	90508-29M12	16 - 22	92995-08100	17 - 17
6E5-85580-00	11 - 3	90119-08027	21 - 9	90206-13M10	15 - 6	90464-12M00	11 - 12	90560-12M01	24 - 4		21 - 17
6E5-85711-60	8 - 46	90119-10M89	23 - 7	90206-22M19	22 - 22	90464-13M34	8 - 40	91490-40030	23 - 25		21 - 19
6E5-85720-04	8 - 15	90152-05M07	23 - 12	90249-06M19	17 - 33	90465-05M87	13 - 28	91609-30010	13 - 22	92995-08600	14 - 25
6R3-85721-80	8 - 16	90157-06M01	15 - 41	90250-08M07	22 - 55	90465-06M86	2 - 25	91690-30012	16 - 3		21 - 24
6G7-85730-04	8 - 27	90157-06013	16 - 11	90280-04M05	22 - 29		5 - 16	91690-30016	7 - 27		21 - 28
6E5-85740-02	8 - 41		16 - 26		29 - 44		17 - 23	91690-30020	17 - 35		21 - 35

NUMERICAL INDEX  
INDEX NUMERIQUE

PART NO. NO. PIECES	REF. NO.	PART NO. NO. PIECES	REF. NO.	PART NO. NO. PIECES	REF. NO.	PART NO. NO. PIECES	REF. NO.	PART NO. NO. PIECES	REF. NO.	PART NO. NO. PIECES	REF. NO.
92995-08600	22 - 42	93211-04001	3 - 6	95380-12600	17 - 43	97607-04310	20 - 32				
92995-10100	18 - 26		28 - 11	95380-14800	18 - 22	97780-40520	1 - 16				
	18 - 40	93306-208U0	3 - 10	95780-10300	18 - 9	97780-60525	18 - 2				
	23 - 6		22 - 59	97013-06012	12 - 18	97880-05025	5 - 4				
92995-14600	18 - 23	93310-323V6	3 - 25	97013-06014	9 - 10	97880-06012	17 - 11				
93101-22M15	3 - 14	93310-836U0	3 - 27	97013-06016	12 - 11	97880-06018	11 - 11				
	28 - 13	93310-954U1	3 - 8	97013-06025	12 - 14	97880-06020	12 - 6				
93101-28M16	22 - 35	93311-940U3	3 - 4	97013-06065	11 - 7	97885-06010	11 - 14				
	29 - 14	93315-425U7	22 - 47	97013-08030	16 - 45	97885-06016	18 - 4				
	29 - 31	93315-430U8	22 - 62	97013-08045	16 - 15		18 - 29				
93101-30M17	22 - 63	93315-628U9	22 - 3	97075-08035	15 - 36	97980-05108	6 - 24				
	29 - 17	93317-330U2	22 - 36	97075-10045	23 - 5	97980-05116	6 - 22				
	29 - 34	93332-000U7	22 - 4	97080-06100	8 - 21	98580-03015	26 - 38				
93102-08M43	20 - 36	93341-930V2	22 - 38	97080-08016	19 - 31	98580-04006	26 - 36				
93102-35M13	3 - 13	93410-16006	16 - 55	97095-06010	15 - 26	98580-04010	26 - 35				
	28 - 12	93410-22M11	17 - 39		17 - 7	98580-05010	26 - 37				
93102-40M14	3 - 5	93410-37M04	18 - 14		17 - 28	98780-04015	2 - 15				
	28 - 10	93410-40M03	3 - 11		21 - 6	99001-08600	22 - 18				
93106-09014	22 - 15	93430-06024	26 - 10	97095-06012	1 - 7						
	29 - 10	93501-04M02	16 - 47		5 - 17						
	29 - 27	93503-16003	22 - 54		13 - 6						
93210-03261	13 - 26	93507-32009	22 - 52		13 - 37						
93210-09165	16 - 52	93511-32017	22 - 53		13 - 40						
93210-10M74	19 - 4	93606-12019	22 - 32		13 - 46						
93210-13M04	7 - 18		29 - 42		15 - 51						
93210-16275	24 - 9	93608-12M05	21 - 8	97095-06016	13 - 16						
93210-19MA7	7 - 4		21 - 13		15 - 12						
93210-32738	9 - 8		23 - 4		15 - 22						
93210-37MH7	18 - 6	93608-12063	2 - 10	97095-06020	13 - 2						
93210-37160	22 - 27	93700-06M03	16 - 50		15 - 31						
	29 - 12		17 - 13		15 - 38						
	29 - 28		17 - 24		15 - 46						
	29 - 38	94702-00247	4 - 27	97095-06025	16 - 35						
93210-55M14	22 - 39	94702-00309	4 - 27	97095-06030	13 - 23						
	29 - 15	95303-06600	16 - 13		17 - 4						
	29 - 32		16 - 27	97095-06050	9 - 30						
93210-58144	22 - 14	95380-03600	9 - 27	97095-08016	14 - 24						
	29 - 9	95380-04600	27 - 5	97095-08020	16 - 4						
	29 - 26		27 - 9		17 - 16						
93210-74M35	3 - 15	95380-05600	7 - 22	97095-08025	22 - 41						
	28 - 14		16 - 24	97095-08030	21 - 23						
93210-86M38	22 - 26		16 - 30	97095-08045	21 - 16						
	29 - 11		26 - 7		21 - 27						
	29 - 29	95380-06600	1 - 4		21 - 34						
	29 - 37		8 - 23	97095-10045	18 - 25						
93210-86M39	22 - 64		26 - 40		18 - 39						
	29 - 16	95380-08600	9 - 12	97380-05025	26 - 8						
	29 - 33	95380-08700	21 - 18	97380-08030	26 - 33						

115CETO/130BETO  
PARTS CATALOGUE  
©2002 by Yamaha Motor Co., Ltd.  
1st Edition, Jun. 2002  
All rights reserved.  
Any reprinting or unauthorized use  
without the written permission of  
Yamaha Motor Co., Ltd.  
is expressly prohibited.

115CETO/130BETO  
CATALOGUE DE PIÈCES DÉTACHÉES  
©2002 Yamaha Motor Co., Ltd.  
1ère Edition, Juin. 2002  
Tous droits réservés.  
Toute réimpression ou utilisation  
sans la permission écrite de la  
Yamaha Motor Co., Ltd.  
est formellement interdite.